



201 Grandin Road
Maineville, Ohio 45039
(513) 677-0500

APS Additional Blower Manual

Copyright 2018 E. F. Bavis & Associates, Inc.
All Right Reserved

Revised: 09/13/2018
PN: 00900305

APS Additional Blower

Table of Contents

Overview 1

115 Vac Wiring Diagram..... 2

Blower Control Cable Diagram..... 3

Installing a Suction “Tee” Inside of the Skin Illustration 4

Overview

The APS Additional Blower option is recommended for the Advanced Pneumatic System, (APS), whenever the total distance to be traveled by the carrier is 140 feet, or more. This distance includes the vertical distances at both ends, and the horizontal run with all turns.

The installation of the Additional Blower(s) is the same as with the original blower that is sent with the unit. The Suction Fitting for the additional blower is to be installed below the last turn at the top of the Customer or Building/Teller vertical. Each Blower is to be attached to the APS system through its own Suction Fitting.

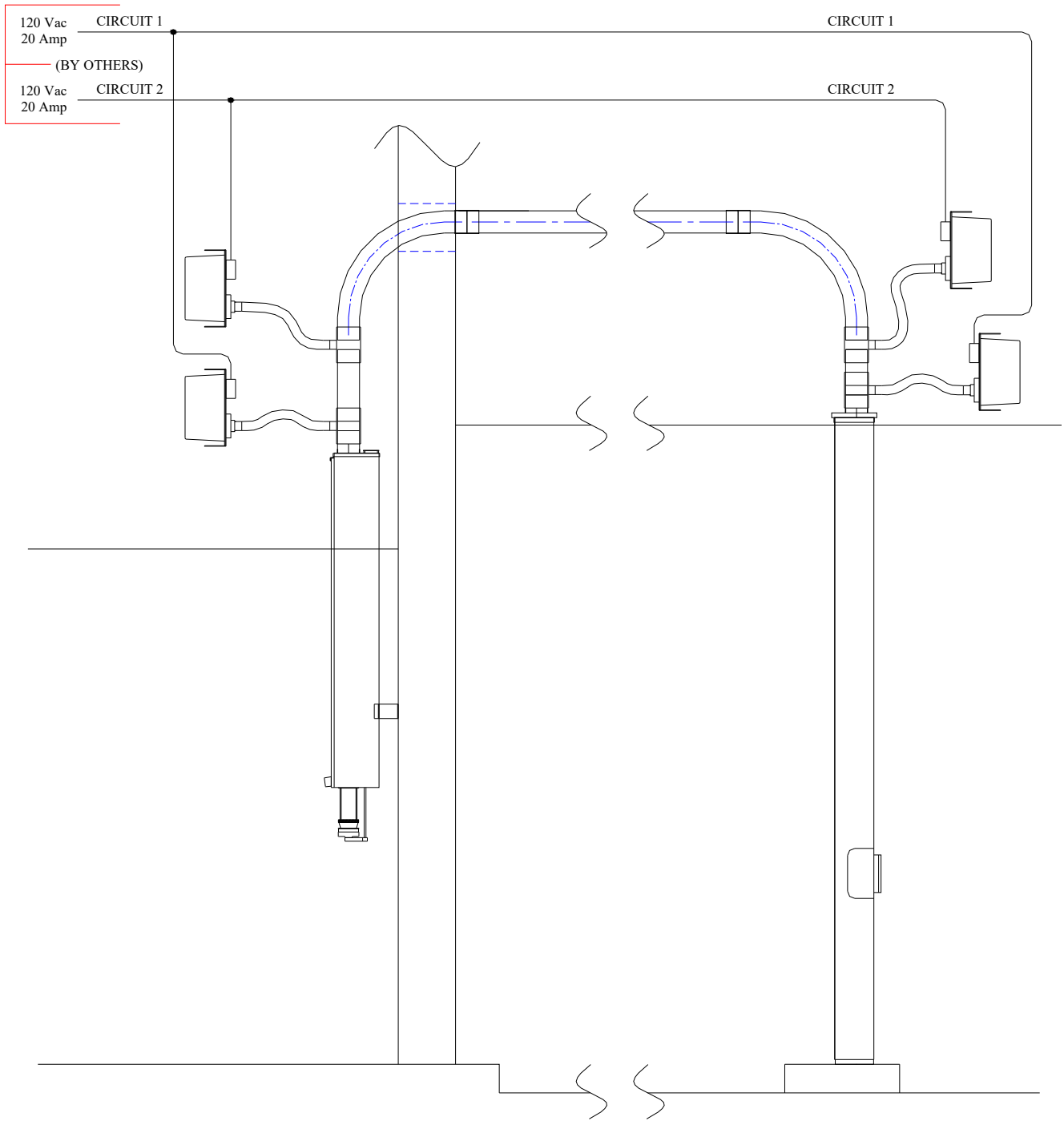
2" Vacuum hose, Fittings and Clamps are provided for easier "Fit-up" between the Blower Assembly and piping from the Suction Fittings. Using this hose between the Blower Assembly and the piping will minimize any blower noise from being transmitted to the tube system. For best efficiency and longevity, use as little of the hose as possible.

At sites where there is not enough vertical room for the second Suction Fitting above the vertical's skin assembly, one can be installed inside of the skin. Using the Street Ell provided, the blower pipe should be hard plumbed with 1-1/2" schedule 40 PVC pipe, up through the skin and top cap.

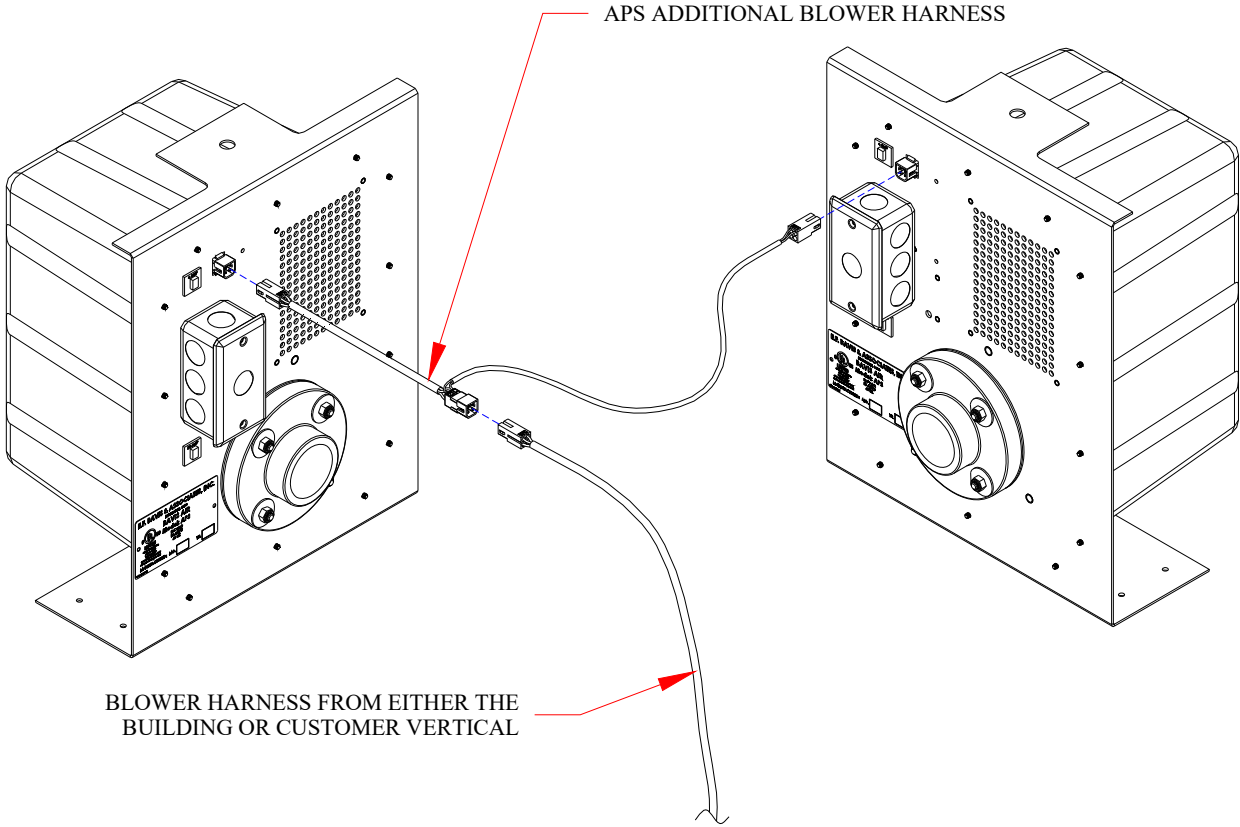
To reduce noise in the area of the vertical(s), the blowers can be remote mounted. This should be done with 1-1/2" schedule 40 PVC pipe, and each blower having its own pipe to the Suction Fitting.

Each Additional Blower will require an additional 115Vac, 20Amp circuit that can be shared with an Additional Blower at the opposite end.

115 Vac Electrical Wiring Diagram



Blower Control Cable Diagram



Installing a Suction “Tee” Inside of the Skin Illustration

