
Stainless Steel Camera Housing

Installation and Service Manual

E. F. Bavis & Associates, Inc.

201 Grandin Road
Maineville, Ohio 45039
(513) 677-0500

Stainless Steel Camera Housing

Table of Contents

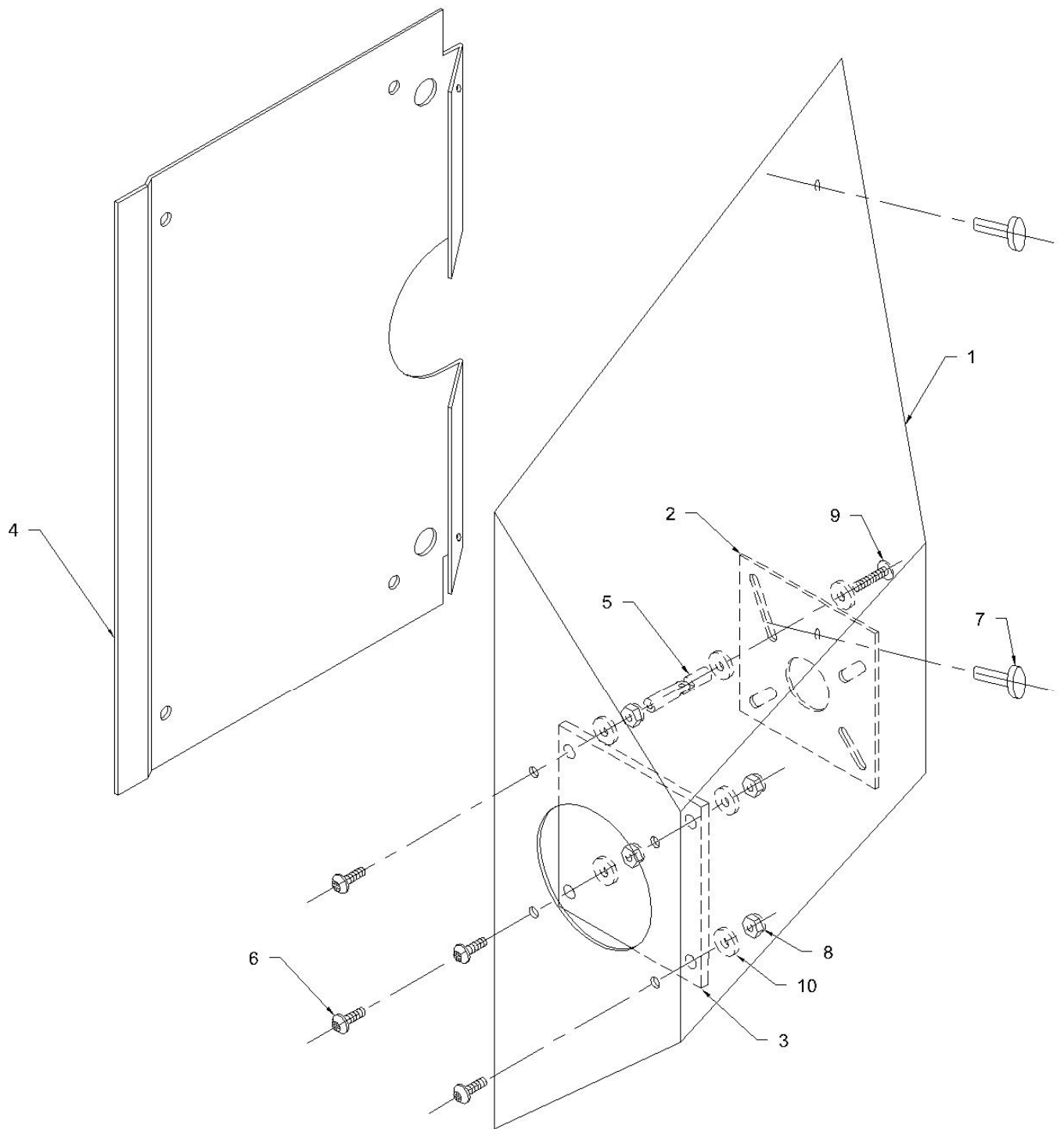
Installation Instructions.....	1
Parts List Diagram	2
Mounting Diagram.....	3
Installation And Service Tool List.....	4

Stainless Steel Camera Housing Installation Instructions

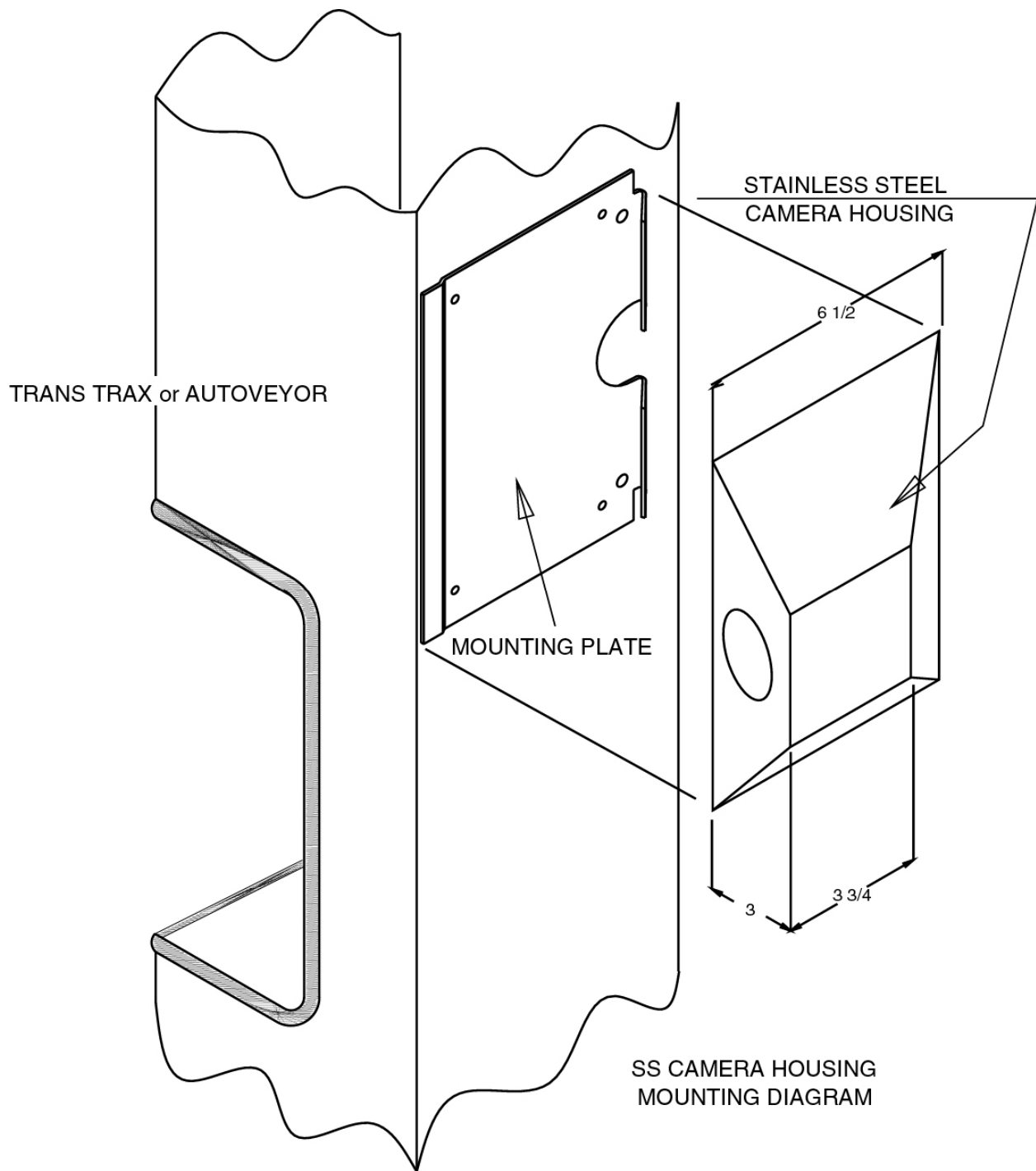
Choosing the location and height of the camera housing is at the discretion of the end user.

1. After finding a suitable location for the camera housing, trace around the housing with a pencil to mark the area where the mount is to be fastened to the skin.
2. Disassemble the stainless steel housing by removing the two security screws using the special Allen wrench provided.
3. Place the mounting plate against the skin (folded edge to the back of the unit), and mark the location where the power supply wires for the camera will come out of the skin, **make sure that you will not drill into any of the components or wires inside the unit.**
4. Drill the hole for wires, and then fasten the mounting plate to the skin using the (4) #8 sheet metal screws provided.
4. Mount camera, (not supplied), to the black mount located inside the stainless steel housing.
5. Feed the power wires through the hole and connect to the camera.
6. Temporarily, place the stainless steel housing onto the mounting plate, and check to see if the camera needs any further adjustment.
7. Reassemble the stainless steel housing by using the security screws removed in step 2.

If you need further assistance, consult the factory.



ITEM	PART #	DESCRIPTION	QTY
1	05320191	SS CAMERA HOUSING	1
2	01543011	PWB CAMERA HOUSING MOUNT	1
3	05320052	CAMERA HOUSING LENS	1
4	05320043	SS CAMERA HOUSING MOUNT	1
5	91169006	#4-40 X 1 SWIVEL STANDOFF	1
6	91082733	#4-40 X 1/2 PHILLIPS TRUSS MS SS	4
7	93080933	#8 X 1/2 BUTTON SOCKET SECURITY SCREW SS	2
8	91025001	#4-40 NYLON LOCKING NUT	4
9	91062733	#4-40 X 3/8 PHILLIPS TRUSS MS SS	1
10	92006004	1/8 ALUMINUM BACKUP WASHER	6



Installation and service tool list for audio

1/8" And 3/8" Flathead Screwdrivers
#0 And #2 Phillips Screwdrivers
1/16" And 3/32" Allen Wrenches
1/2" Open-End Wrench
1/4", 5/16", 11/32", 3/8", And 1/2" Nut Drivers
Wire Cutters
Wire Strippers
Wire Crimpers
Volt Meter
Electric Drill
Drill Bits
Level
7/8" Unibit
Fish Tape
Loctite