
Autoveyor™ 2000 Control Board

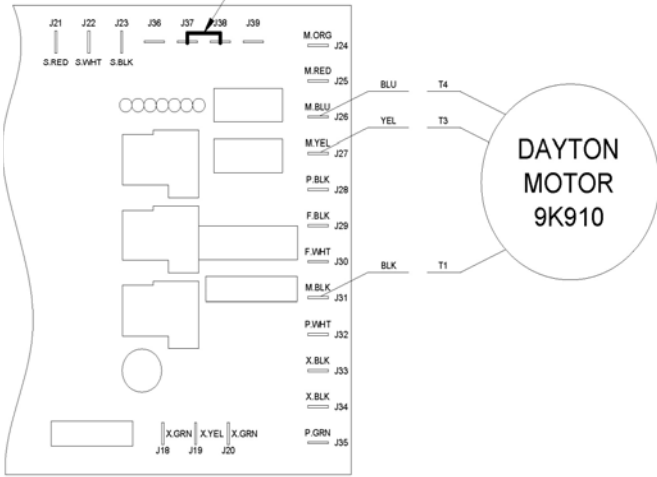
Replacement Manual

P/N 00603011

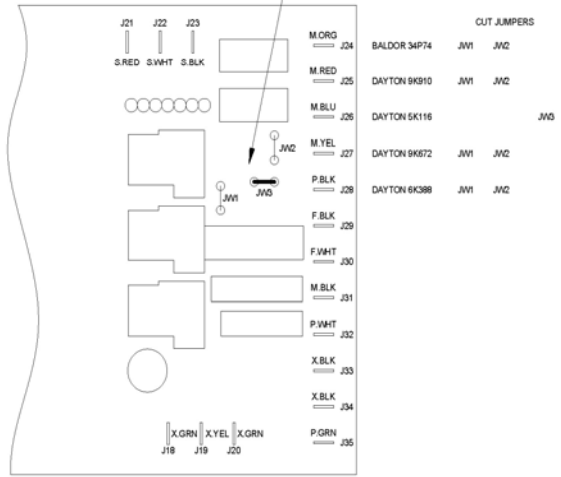
E. F. Bavis & Associates, Inc.

201 Grandin Road
Maineville, Ohio 45039
(513) 677-0500

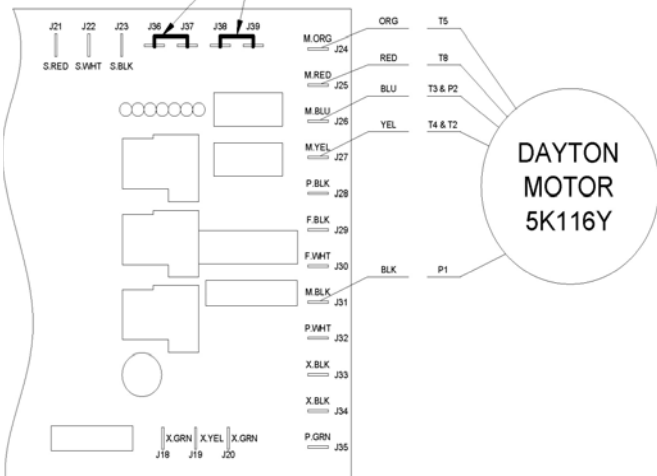
JUMPER LOCATION FOR DAYTON MOTOR



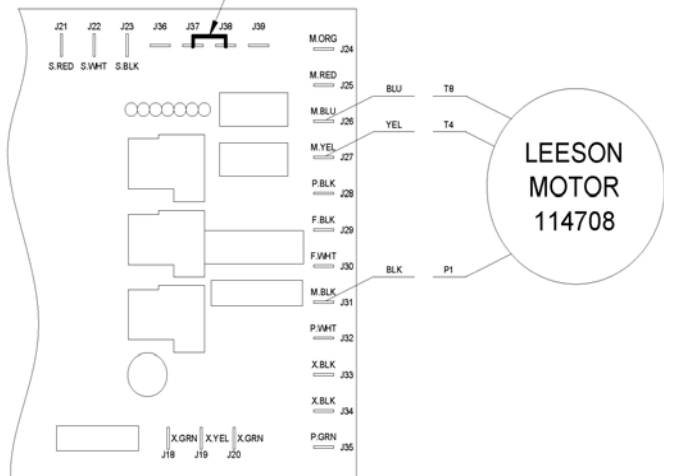
JUMPERS



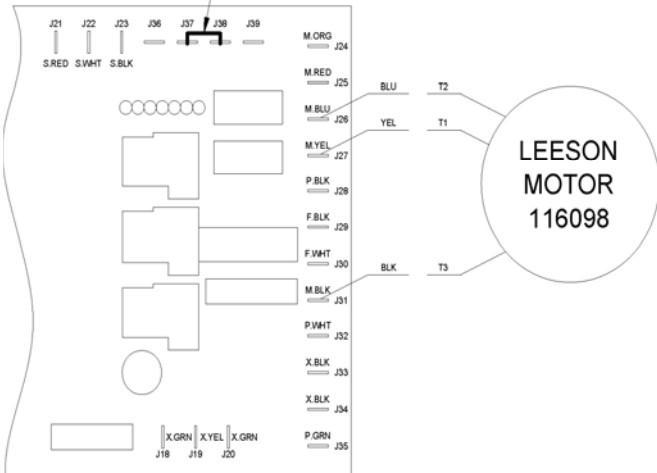
JUMPER LOCATION FOR DAYTON MOTOR



JUMPER LOCATION FOR LEESON MOTOR



JUMPER LOCATION FOR LEESON MOTOR



JUMPER LOCATION FOR BALDOR MOTOR

