
Autoveyor™ II Audio Retrofit

Installation and Service Manual

E. F. Bavis & Associates, Inc.

201 Grandin Road
Maineville, Ohio 45039
(513) 677-0500

Autoveyor™ II Audio Retrofit

Table of Contents

Instructions	1
Microphone Hole Layout Diagram.....	2
Microphone Installation Detail	2
Wiring Diagram.....	3
Speaker Mounting Detail.....	4
Control Pan Hole Layout Diagram	4
PC Board Mounting Detail	4
Field Adjustment Notice.....	5
AV II Switch Wiring Diagram	6
Volume Control Mounting Detail.....	7
Audio Wiring.....	8
Parts List.....	9
Installation And Service Tool List.....	10

Autoveyor™ II Audio Retrofit

Disconnect Power

Customer End:

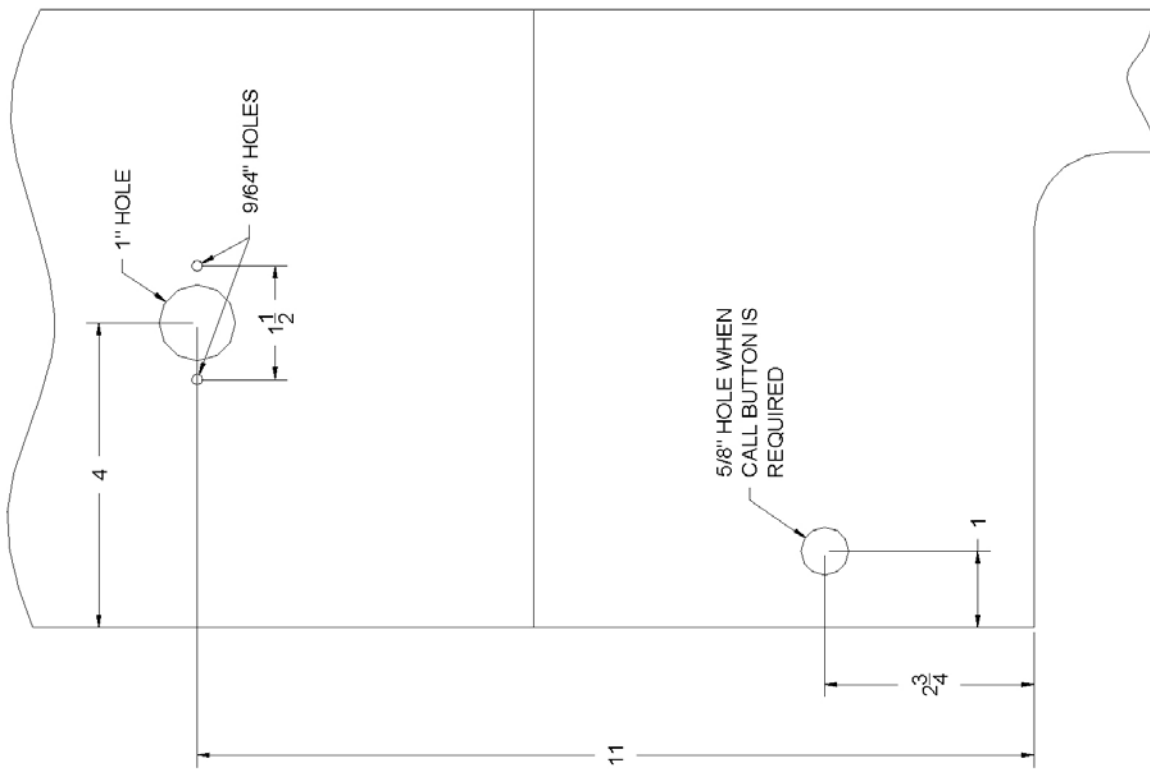
1. Remove access panels.
2. Disconnect existing dynamic microphone wires.
3. Drill holes per outside microphone hole layout provided.
4. Mount new outside microphone per mounting detail provided.
5. Wire per amplifier wiring diagram provided.
6. Replace access panels.

Teller End:

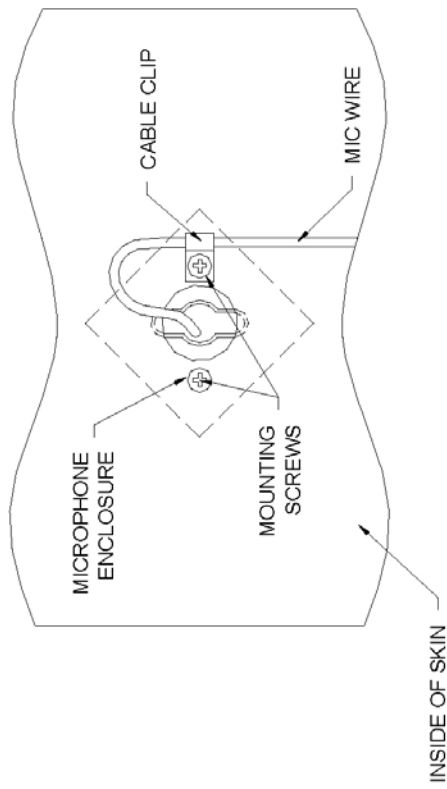
1. Remove control pan cover.
2. Mount inside speaker per detail provided.
3. Remove existing amplifier and harness. **Note: The existing audio on/ off switch has to be rewired.** Refer to the drawing on page 6 for more detailed information.
4. Drill amplifier and transformer mounting holes per layout provided.
5. Mount amplifier per detail provided.
6. Secure transformer to pan with sheet metal screw.
7. Wire black leads to 110 VAC that was powering existing amplifier.
8. Remove existing inside microphone.
9. Mount new microphone with the 3/8-27 nut provided.
10. Drill a 3/8" hole to mount the volume control with the washer and nut provided.
Install the knob provided.
11. Wire per amplifier diagram provided.

Reconnect Power

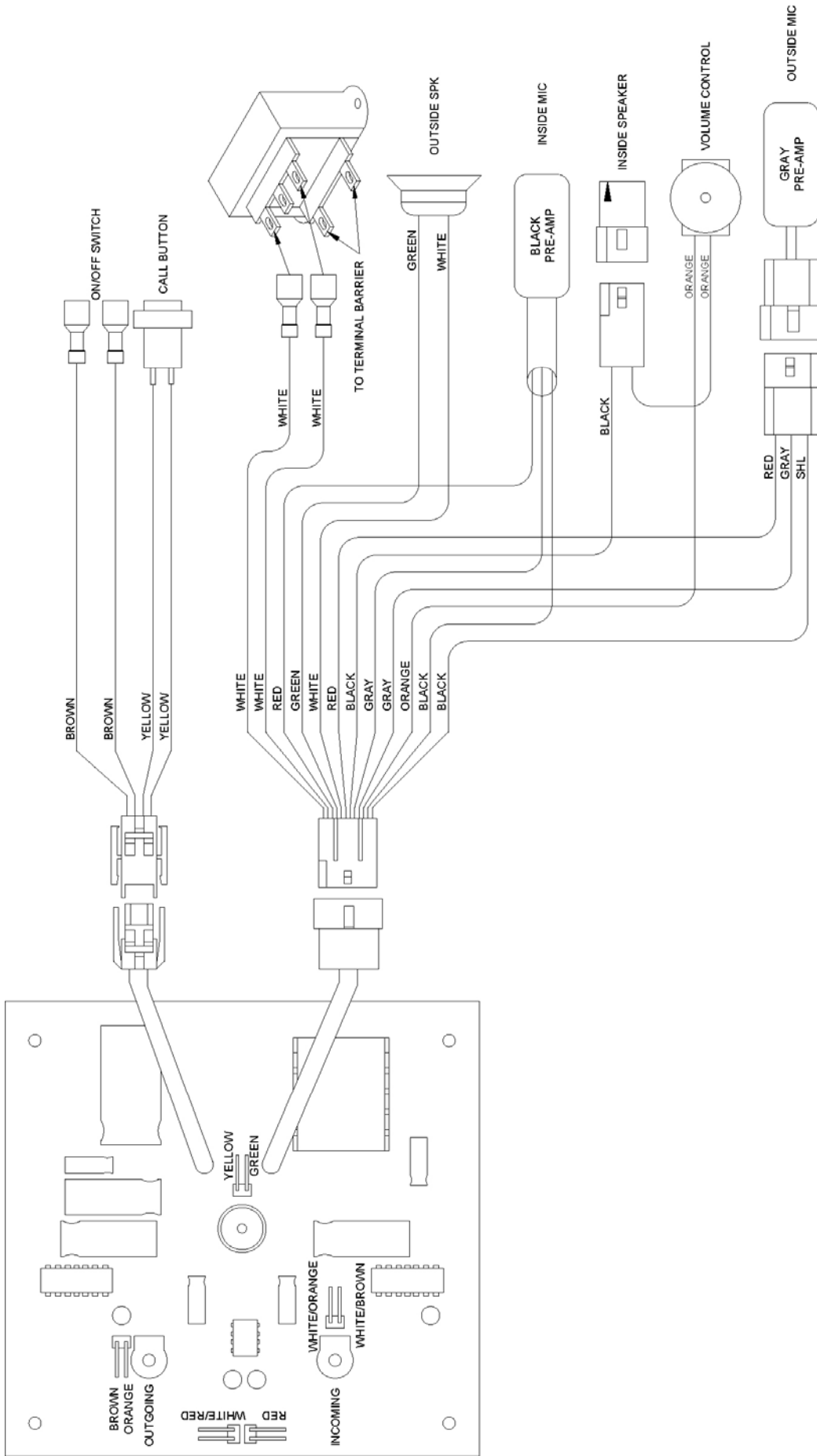
Adjust per instructions provided on page 5.

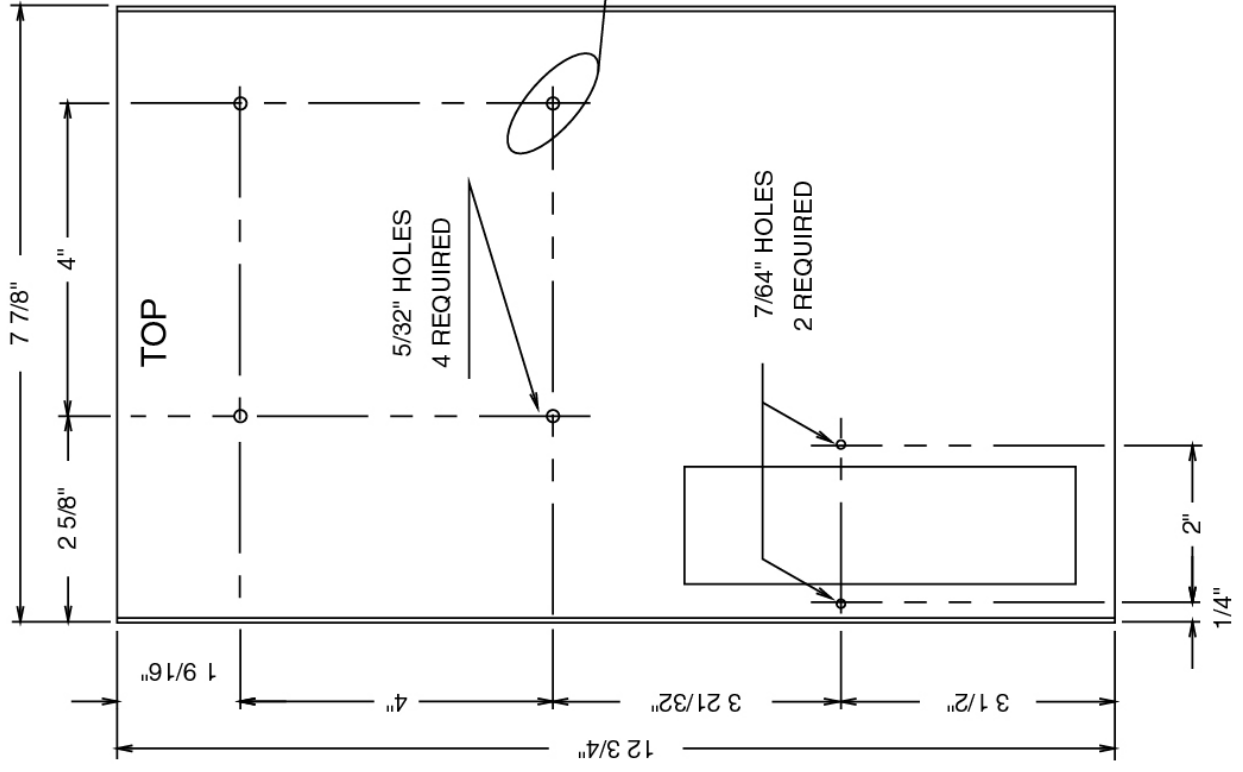


OUTSIDE MICROPHONE HOLE LAYOUT

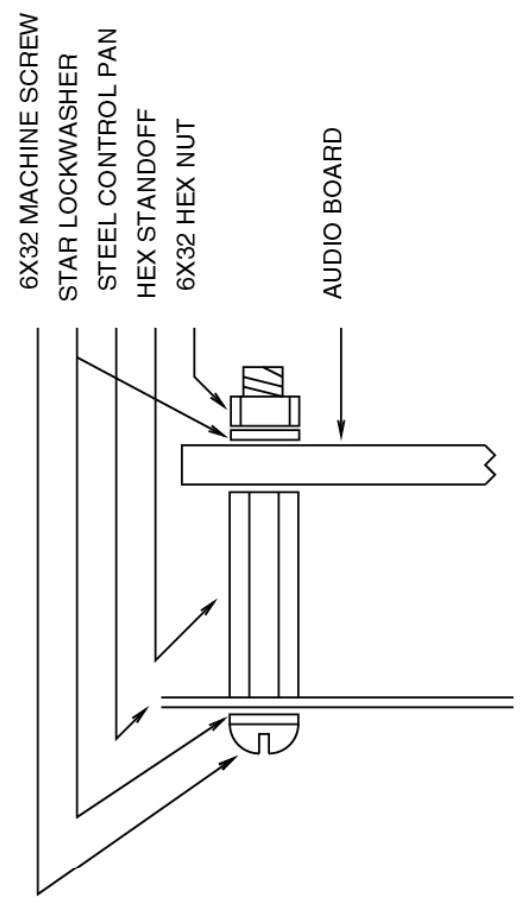


OUTSIDE MICROPHONE INSTALLATION DETAIL

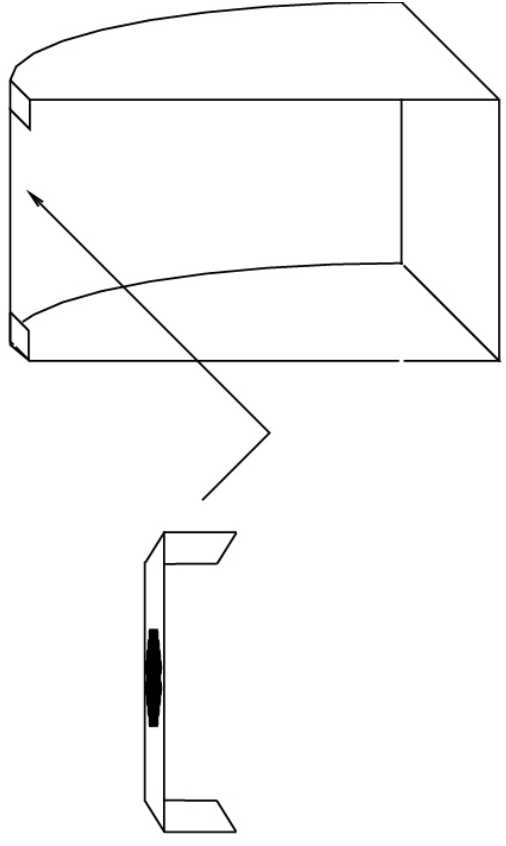




CONTROL PAN BOARD & TRANSFORMER HOLE LAYOUT



AUDIO BOARD MOUNTING DETAIL



INSTALL BRACKET WITH SPEAKER MOUNTED IN TOP TO CONTROL PAN COVER WITH SHEET METAL SCREWS

INSIDE SPEAKER MOUNTING DETAIL

Field Adjustment Notice

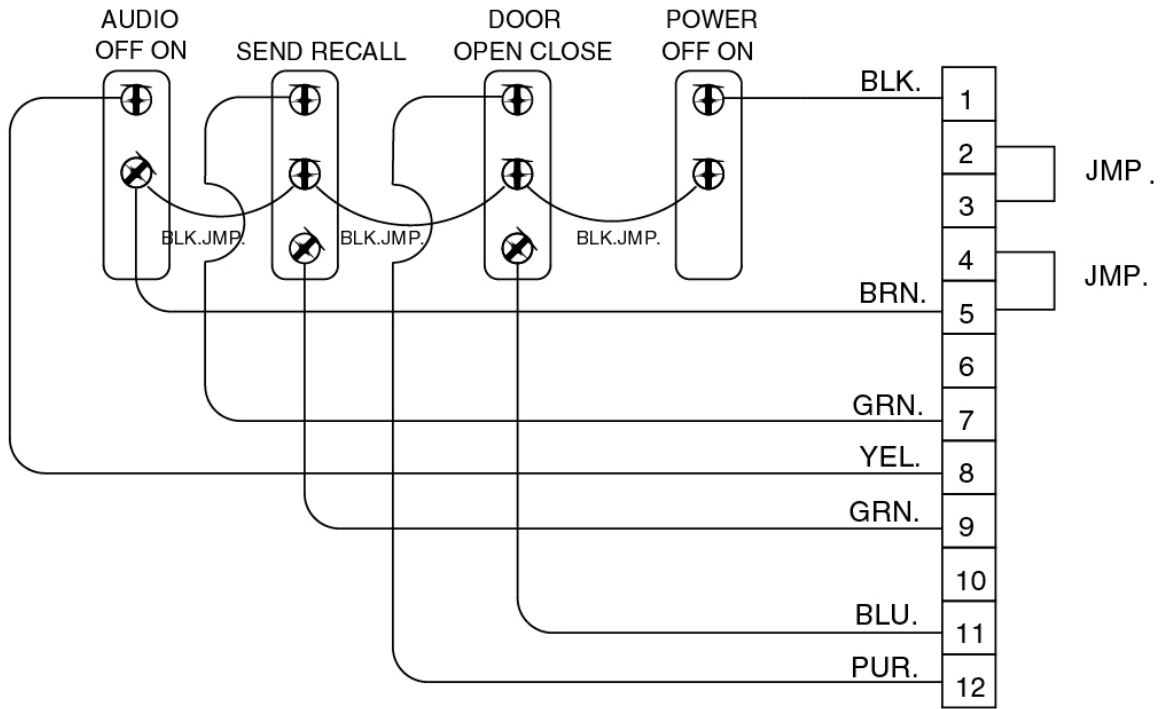
The microphones are of an Electret condenser variety, which vastly improves the quality of audio over previous systems. The design is a full duplex concept with no voice switch. As a result, both teller and customer can carry on a simultaneous conversation.

The audio connections are made at both horizontal and vertical junctions. One cable carries all conduction. The splices should be made with proper sized crimp on pigtail connectors. All four conductors are spliced color to color. The fifth wire, which is the ground wire, must also be spliced. Each connection must be secured and taped to prevent accidental grounding.

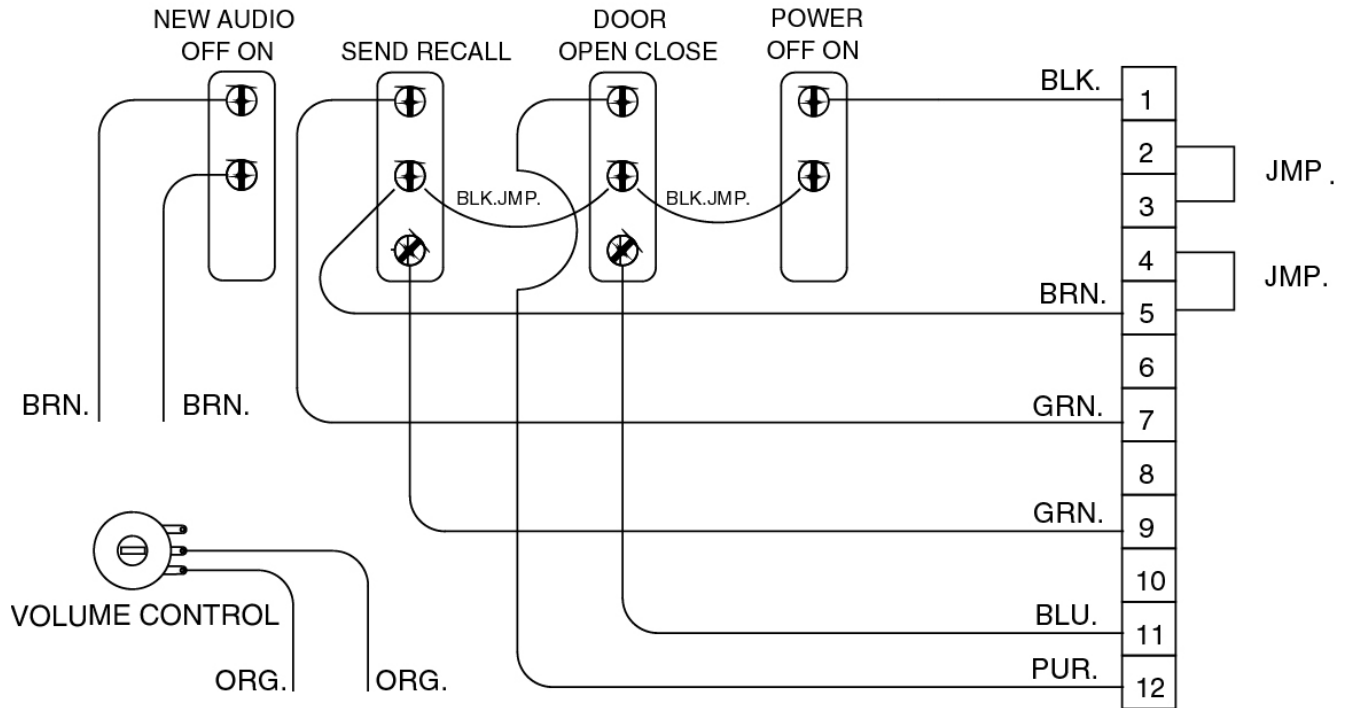
Field adjustment requires that the black plastic teller control pan be dropped approximately two inches. Viewing from the back of the teller vertical, the left control is the incoming and the right is the outgoing.

Proper adjustment requires turning the left (incoming) control fully counter-clockwise (minimum). Adjust the outgoing volume with the right control for sufficient outgoing volume. Next, adjust the teller ON/OFF volume control fully clockwise (maximum). The incoming volume control should now be adjusted clockwise until feedback occurs. Adjust counter-clockwise until feedback ceases, then adjust $1/16^{\text{th}}$ of a turn further counter-clockwise. Field adjustments are now completed. The teller can adjust the incoming volume from 25% to 100% with the ON/OFF volume control.

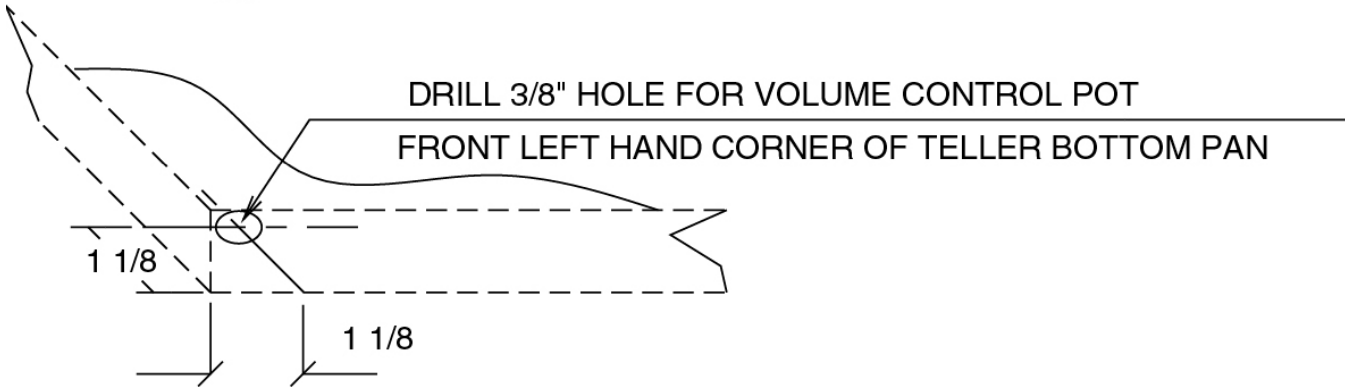
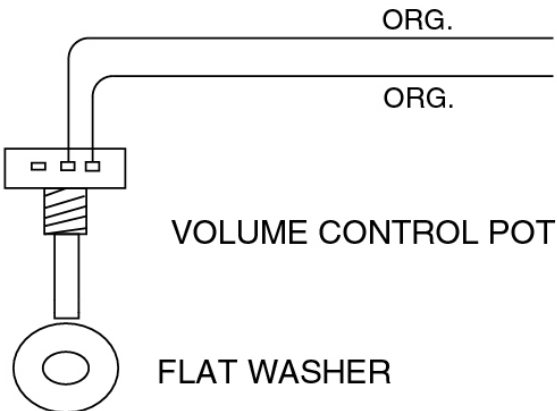
AUTOVEYOR SWITCH WIRING (BEFORE)

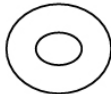


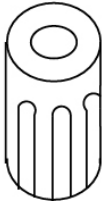


AUTOVEYOR SWITCH WIRING (AFTER) AUDIO RETROFIT

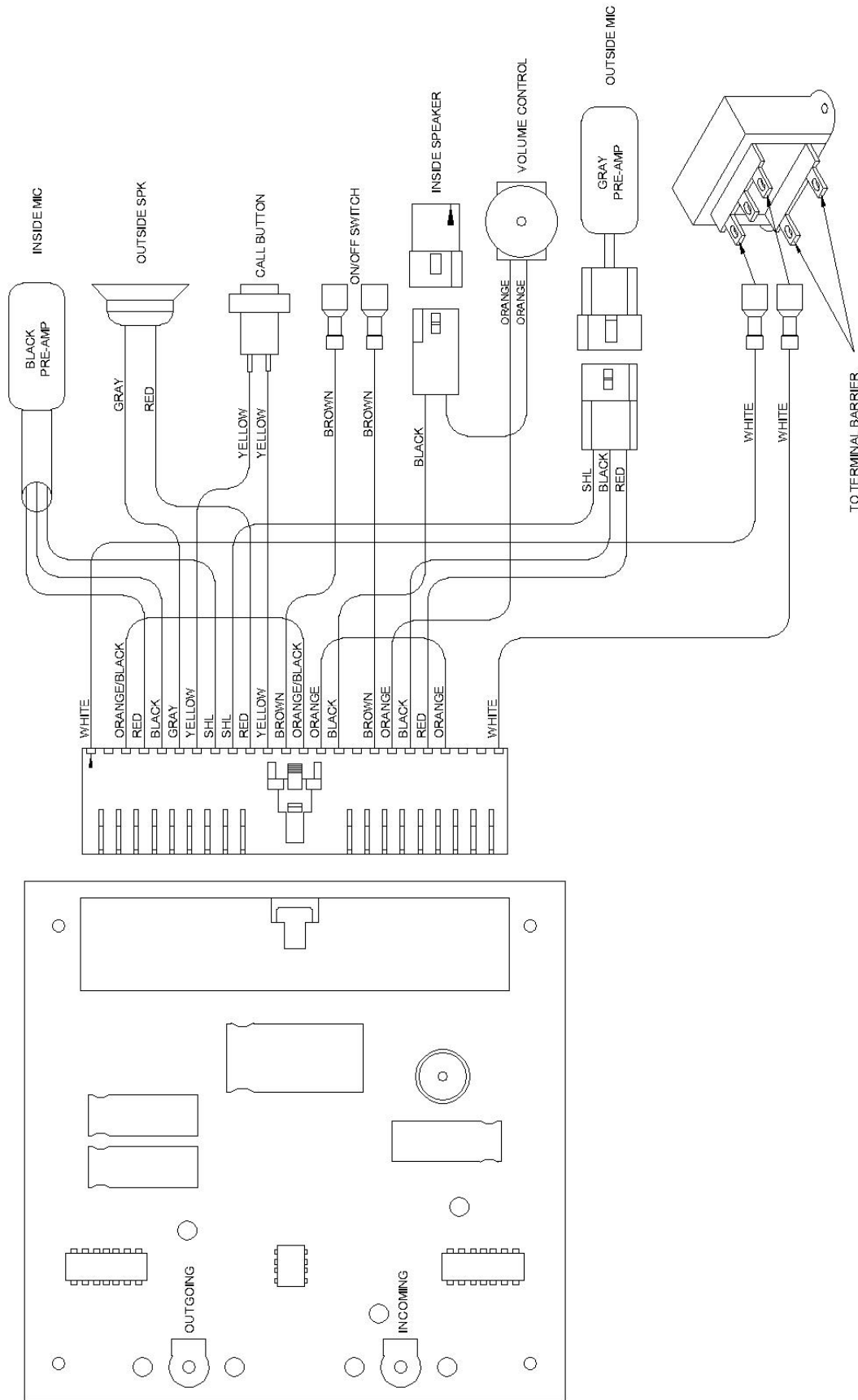


MOUNTING VOLUME CONTROL BAVIS AUDIO RETROFIT KIT



-  FLAT WASHER
-  LOCK WASHER
-  NUT
-  KNOB

Audio Wiring



Autoveyor™ II

Audio Retrofit Kit Parts List

<u>Description</u>	<u>Part #</u>
Complete Audio Retrofit Kit	01610591
Consisting of:	
Audio Board.....	02906019
Inside Microphone	02908033
Outside Microphone.....	02910992
Inside Preamp.....	02908231
Outside Preamp.....	02908241
Wiring Harness	02907017
Which includes:	
Transformer.....	00320011
Pot	02913021
Power Switch	00305031
Upgrade Speaker with Housing	02909111
Parts Kit	02912012
<u>Qty.</u> Consisting of:	
1 Estuchen.....	00306051
1 Black switch cap	00306041
1 Cable clamp	01008483
1 Small black knob.....	02901012
1 Microphone cover	02908112
1 Outside microphone windscreen.....	02908211
7 White pigtail connectors	06975032
4 6-32 keps nuts	92005001
2 #6 x 3/8 sheet metal screws	92060621
4 6-32 Hex standoffs.....	92102061
6 #8x1/2 Self drilling screws	93101623
1 3/8-24 hex nut	97015001
4 6-32x3/8 Truss screw.....	92062723
Manual	00600011

Revised 11/08/2001

Installation and service tool list for audio

1/8" And 3/8" Flathead Screwdrivers
#0 And #2 Phillips Screwdrivers
1/16" And 3/32" Allen Wrenches
1/2" Open-End Wrench
1/4", 5/16", 11/32", 3/8", And 1/2" Nut Drivers
Wire Cutters
Wire Strippers
Wire Crimpers
Volt Meter
Electric Drill
Drill Bits
Level
7/8" Unibit
Fish Tape
Loctite