



201 Grandin Road
Maineville, Ohio 45039
(513) 677-0500

Transaction Drawer™
Teller Door Pivot Manual

Copyright 2018 E. F. Bavis & Associates, Inc.
All Right Reserved

Revised: 07/12/2018
PN: 00900303

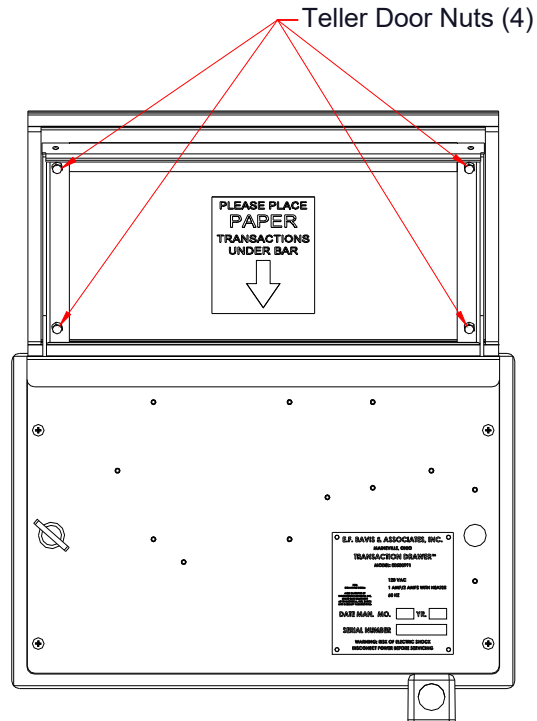
Installation Tool List

7/16" Socket or Wrench
5/16" Socket or Wrench
11/32" Socket or Wrench
1/4" Nut Driver or #2 Phil Screwdriver (depends on model)
Blue Loctite
Dry Cloth or Paper Wipes

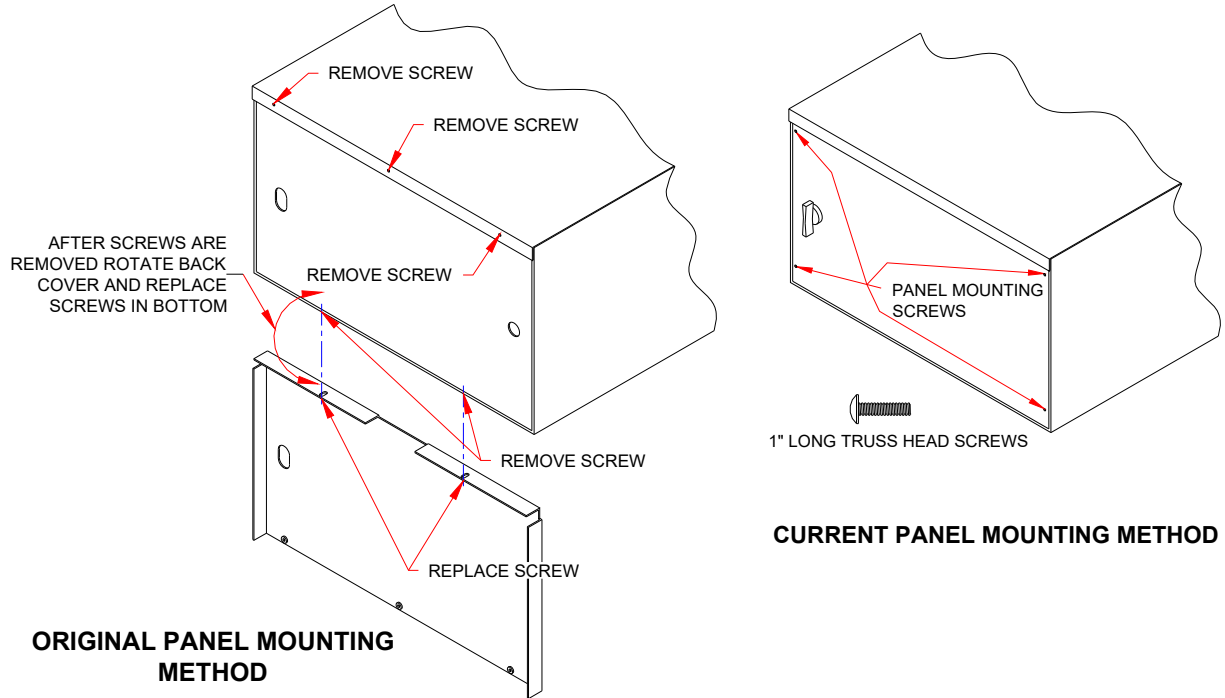
NOTE: This manual is used for multiple replacement and repair kits. You may not need to follow all instructions and can skip to the next applicable step as directed.

Procedure

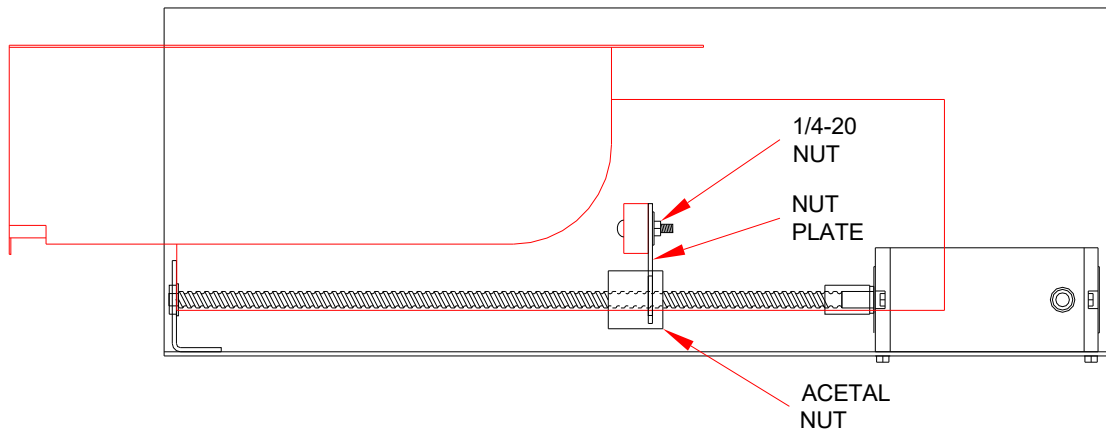
1. Run the drawer in and then disconnect the power to the drawer.
2. Remove the (4) nuts that secure the Teller Door to the Door Arms.



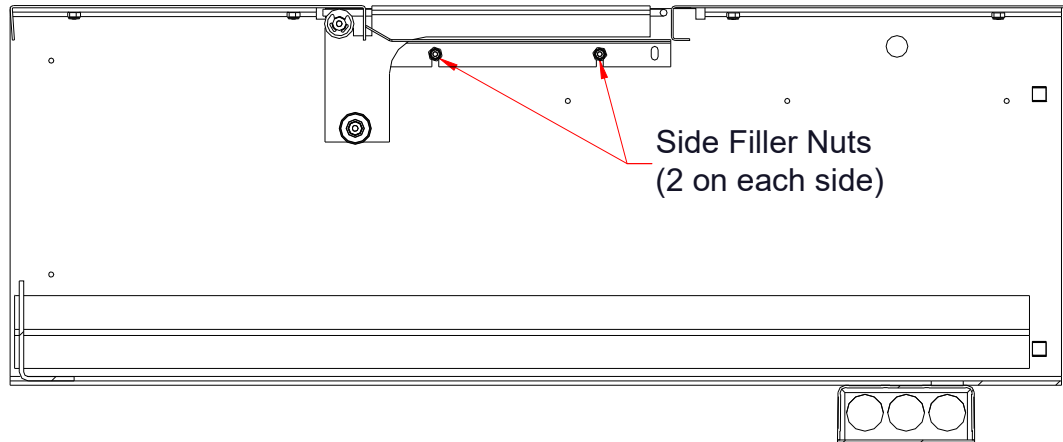
3. Remove the inside back cover, (5 screws for original, 4 screws on current).



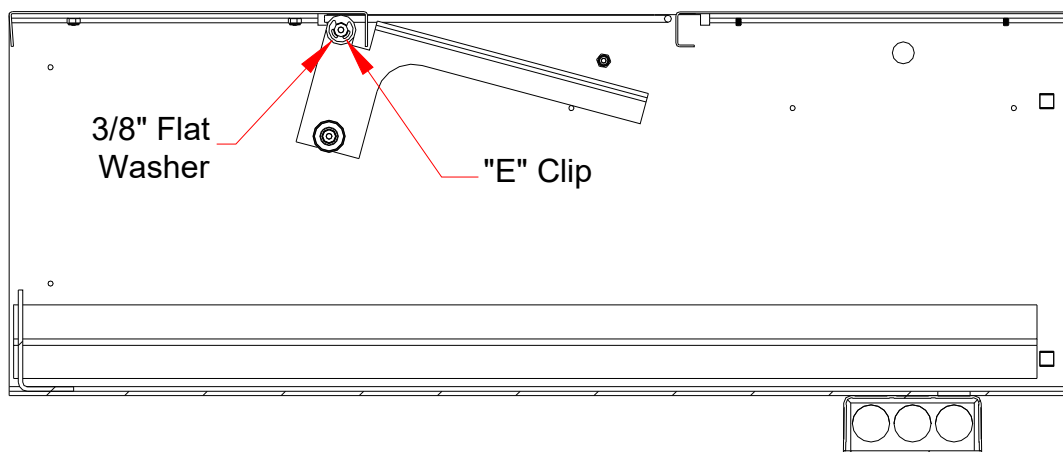
4. Remove the (2) 1/4-20 nuts connecting the Nut to Drawer Mounting Plate to the Red Bin and remove the plate. (Note: Use caution when removing the Drawer Mounting Plate as the Red Bin can slide completely out of the TD Shell.) (If the drawer has optional equipment like a Debit Card Reader, Heater, etc., these will also need to be disconnected.)



5. Push the Red Bin out far enough to gain access to the two nuts that secure the black Side Fillers, and then just loosen the two nuts that secure each of the side fillers. Once they are loose, lift the side fillers up and out of the drawer.

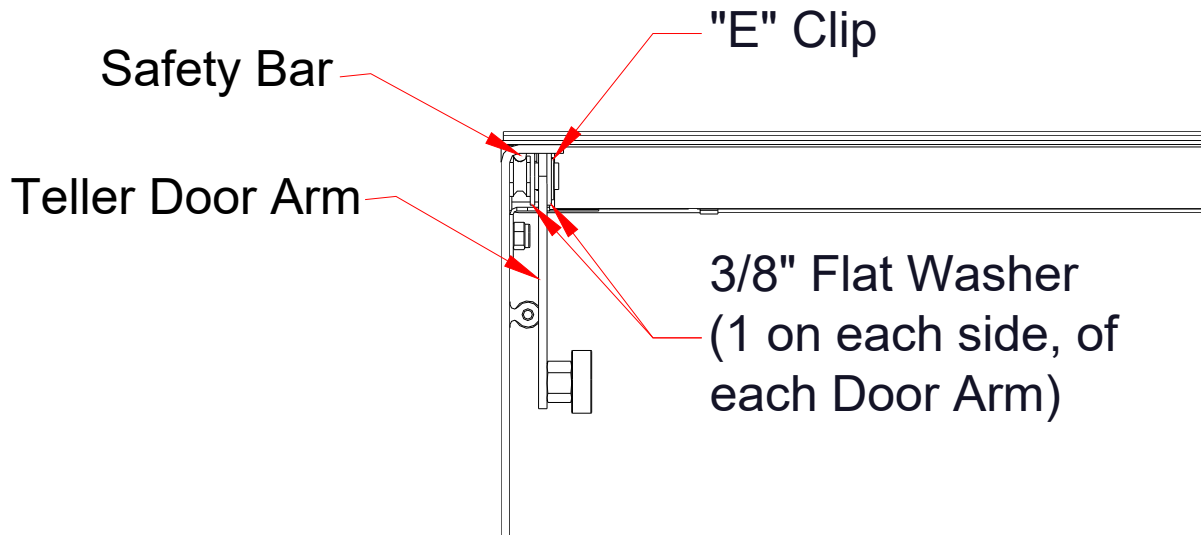


6. From the outside, remove the Red Bin.
7. Remove the "E" Clip and 3/8" Flat Washer that secure the Teller Door Arms to each of the Pivots.



8. Rotate the Door Arm as shown above, and then slide the Arm and remaining 3/8" Washer off of the Pivot.
9. Before trying to remove the brass Door Pivot, it is advised that you apply heat to the Pivot with a heat gun or high wattage soldering iron. This will cause the Loctite thread locker to release, which will minimize the risk of breaking the stud off.

10. Apply one drop of a thread locker to the threads inside of the brass Teller Door Pivot, and then thread onto the stud. With a wrench, only tighten the Pivot until it is snug, DO NOT overtighten. (Verify that the Safety Bar is in the groove that is cut through the Hex portion of the Pivot.)
11. Install the first 3/8" washer with the rounded edges facing the Door Arm, and then coat the Door Arm face and the Pivot with the grease provided.
12. Apply grease into the Pivot hole in the Door Arm, and also coat the areas that the 3/8" Washer will contact.
13. Install Door Arm onto the Pivot.
14. Coat the face with the rounded edges of the other 3/8" Washer with grease, and install onto the Pivot with the greased face against the Door Arm.
15. Install the "E" Clip.
16. Repeat for the Pivot on the other side.



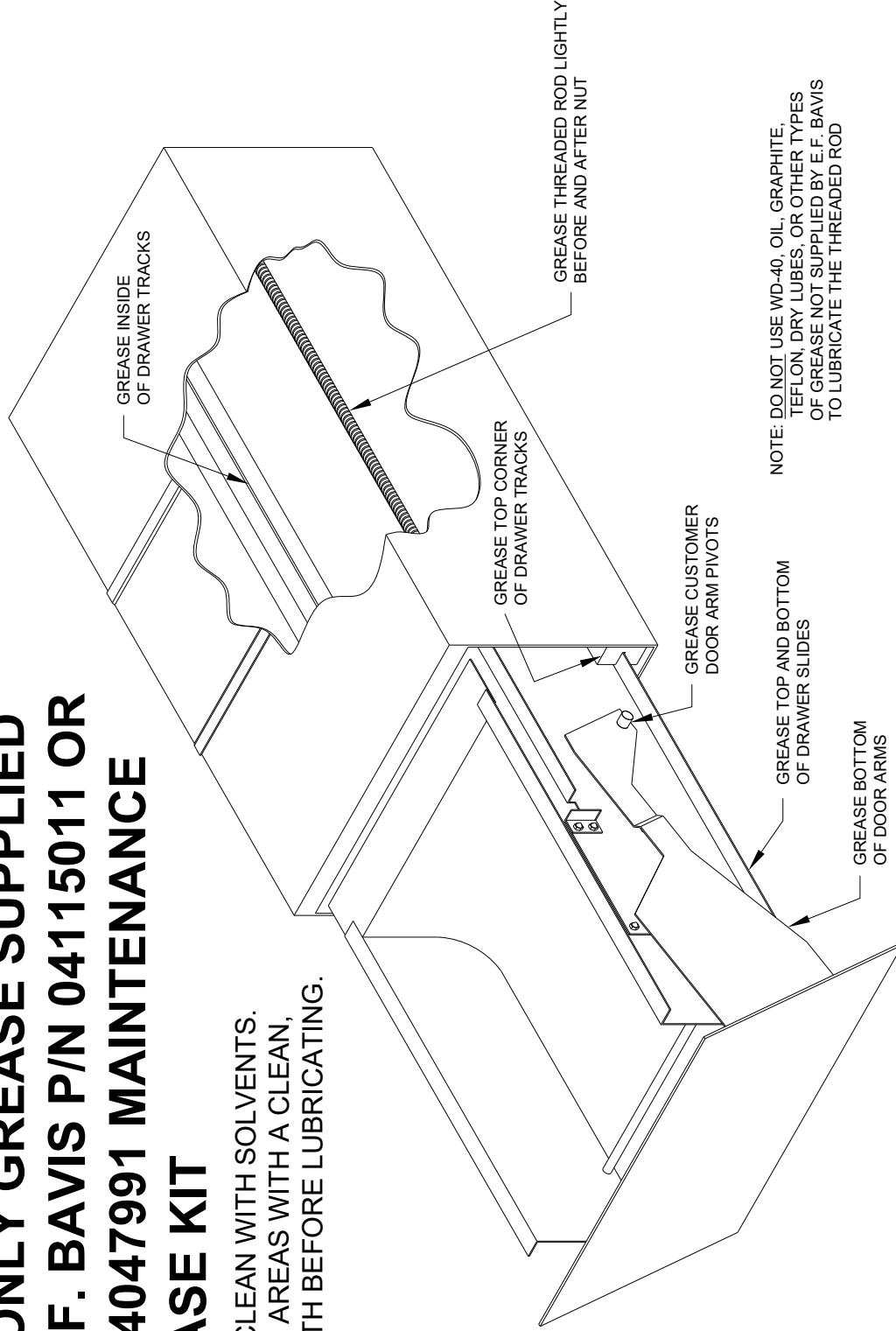
17. Re-install the Side Fillers and re-tighten the nuts just enough that you can slide the fillers up and down.
18. Clean and grease the Threaded Rod, black plastic Drawer Track, Slide Angles on the Red Bin, Customer Door Arm Pivots, and the bottom face of the Customer Door Arms, as per the TD Grease Instructions include in this manual.
19. Insert the Red Bin back into the drawer shell.

20. Set the Side Fillers so there is about a 1/16" gap between the bottom of the filler and the top of the Red Bin.
21. Push the Red Bin out far enough that you can get to the Side Filler nuts, and tighten them.
22. Mount the Teller Door cover plate onto the Teller Door Arms with the acorn nuts previously removed. Push the Door Arms toward the outside edges of the Teller Door plate, and then tighten the nuts.
23. Pull the Red Bin back in, center the Red Bin in the black plastic slides and then reconnect the Red Bin to the Acetal Nut with the Nut to Drawer Mounting Plate, and the 1/4-20 nuts and washers.
24. Reconnect the power and test for proper operation.
25. Reinstall the back panel.

For further questions or help, contact the Factory at 513-677-0500.

USE ONLY GREASE SUPPLIED BY E.F. BAVIS P/N 04115011 OR P/N 24047991 MAINTENANCE GREASE KIT

DO NOT CLEAN WITH SOLVENTS.
WIPE ALL AREAS WITH A CLEAN,
DRY CLOTH BEFORE LUBRICATING.



NOTE: DO NOT USE WD-40, OIL, GRAPHITE,
TEFLON, DRY LUBES, OR OTHER TYPES
OF GREASE NOT SUPPLIED BY E.F. BAVIS
TO LUBRICATE THE THREADED ROD

