



201 Grandin Road
Maineville, Ohio 45039
(513) 677-0500

Basic Drawer (BD) Customer Door Arm Replacement Instructions

Copyright 2018 E. F. Bavis & Associates, Inc.
All Right Reserved

Revised: 04/18/2018
PN: 00900301

Basic Drawer Customer Door Arm Replacement Instructions

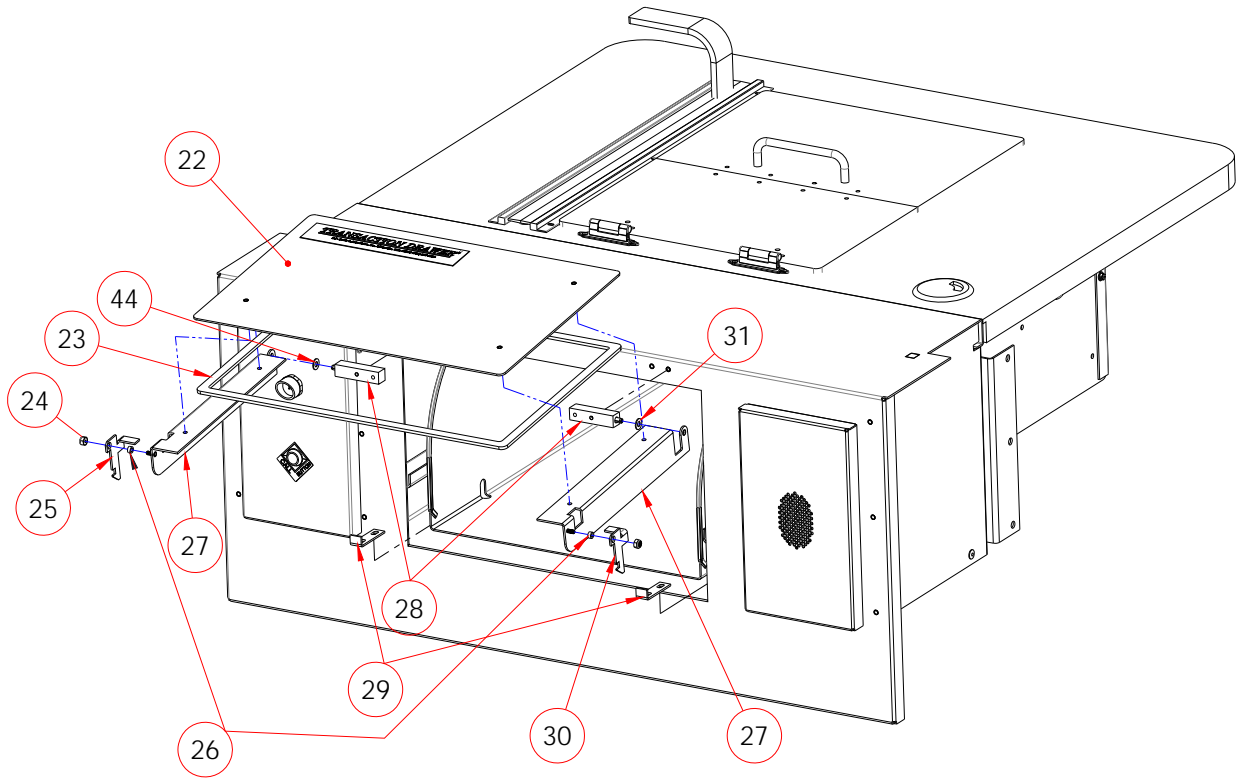
Table of Contents

Installation Instructions	1
Exploded View Diagram.....	3

Installation Instructions

1. From inside of the building, push the drawer out far enough to unlock the Customer Door.
2. Go outside and remove the acorn nuts that secure the Customer Door plate to the Customer Door Arms, and then remove the door.
3. Remove the Arms by sliding them horizontally, (the left arm to the left and the right arm to the right), until they are free of the pivot pin.
4. Check to see if the 1/32" thick stainless steel flat washer is stuck to the old arms, or, if it is still on the pivot pin. If the washer is missing, use one of the two supplied in the kit.
5. Slide the washers and the new door arms onto the pivot pins.
6. Re-install the Customer Door onto the arms.
7. Check drawer operation.
8. Check that the Customer Door latches when closed. Adjust as necessary.

Exploded View Diagram



Item	Part No.	Description (Includes Item)	Qty.
22	28013592	BD2 Customer Door Assembly (23 & 27)	1
23	28020021	BD2 Customer Door Gasket	1
24	92005002	6-32 Nylon Locking Nut	2
25	28017021	BD Right Cust Door Latch SM	1
26	92026006	#6 x 1/8 Brass Standoff	2
27	28047991	BD Customer Door Arm Kit (24,25,26,30 & 31)	1
28	28016011	BD Customer Door Pivot Block	2
29	28019031	BD2 Customer Door Catch	1
30	28017011	BD Left Cust Door Latch SM	1
31	94006003	#10 Flat Washer SS	2

