



201 Grandin Road
Maineville, Ohio 45039
(513) 677-0500

All-In-One Jr. 50in Window Manual

Copyright 2022 E. F. Bavis & Associates, Inc.
All Right Reserved

Revised: 08/16/2022
PN: 00900299

Window Crate Checklist

Part #	Description	Qty.
12001017	AW Jr. 50in Window	1
12011992	Window Installation Accessories	1

Window Installation Accessories P/N 12011992

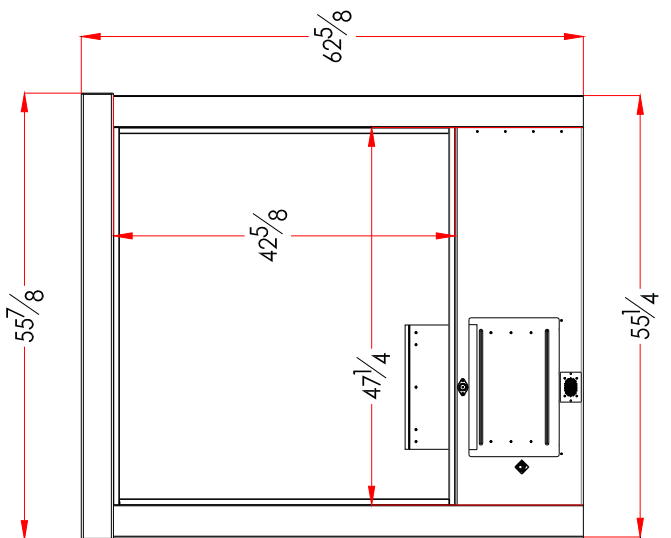
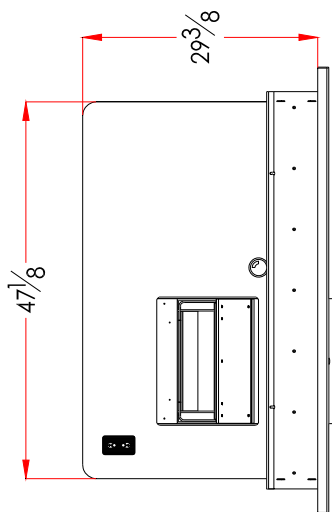
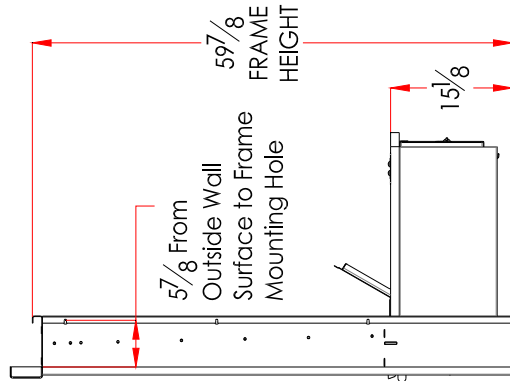
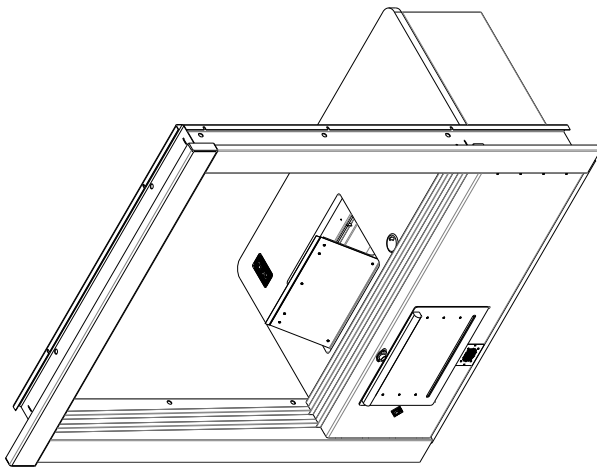
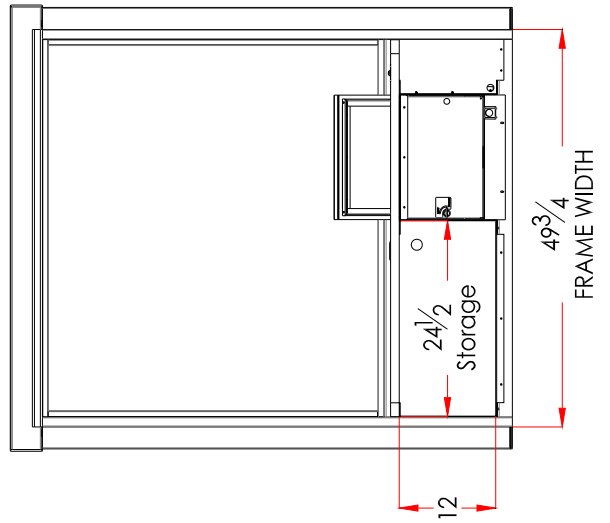
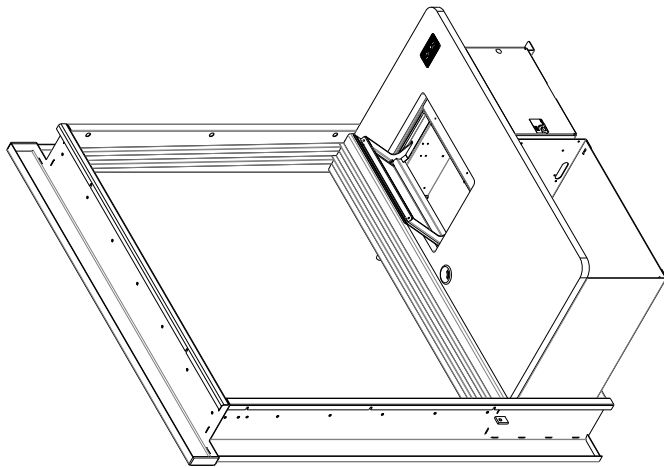
Part #	Description	Qty.
00900299	Window Installation Manual	1
06973011	5/8 Hole Plugs	9
93162623	#8 x 1" Philips Pan SMS SS	18
93402622	#8 x 2-1/2" Phil Pan SMS Zinc	9
95284318	1/4 x 1-3/4" Hex Slotted Tapcon	9
12011040	Polyurethane Construction Sealant (color to match window)	2
12011061	Wood Shims	1 pack
12011051	AW Installation Strap	8

Window Installation Procedure

(Refer to the illustration on pages 2 & 3)

1. Check the crate for all the installation parts with the checklist provided above.
2. Inspect the window for any damage that may have occurred during shipping.
3. Check the dimensions of the cut out for the window (refer to the Frame Width and Frame Height dimensions in the **Window Dimensions** illustration).
4. Caulk two even beads on the bottom of the cut out that extend 3" up either side.
5. Slide the window into place. **NOTE: Do not pick up the window by the D-rings.**
6. Insure that the window is flush to the outside wall and is level.
7. Place the shims behind the mounting holes on the side and top and anchor the window with the hardware provided. If you cannot anchor the window through the mounting holes, then the installation straps will need to be used (see **Window Mounting Illustration**).
8. Place the 5/8" hole plugs into the mounting holes.
9. Caulk the window on the top and two sides. **Do not** caulk over the condensation drain holes located on the bottom corners of the window trim.

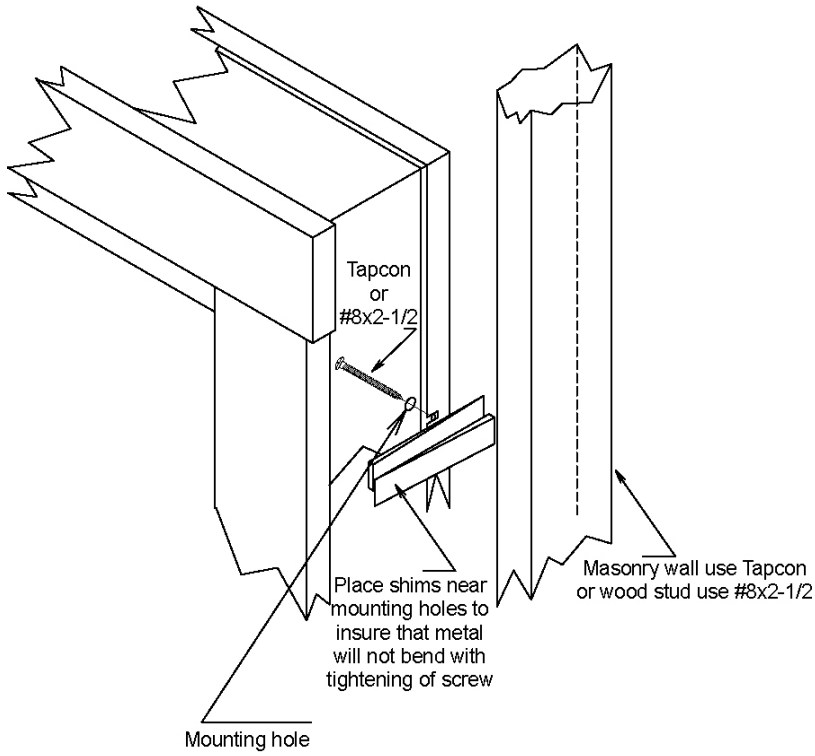
Window Dimensions



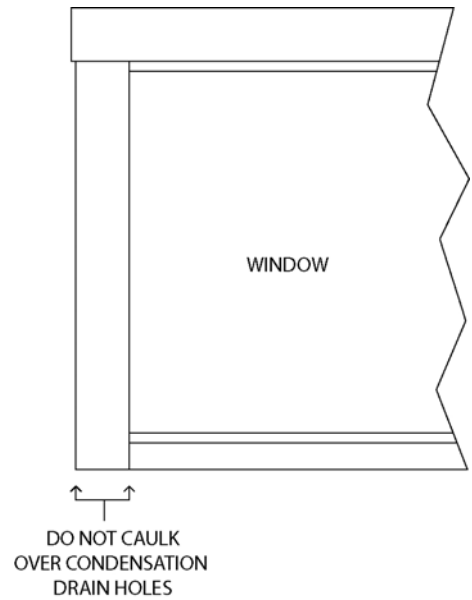
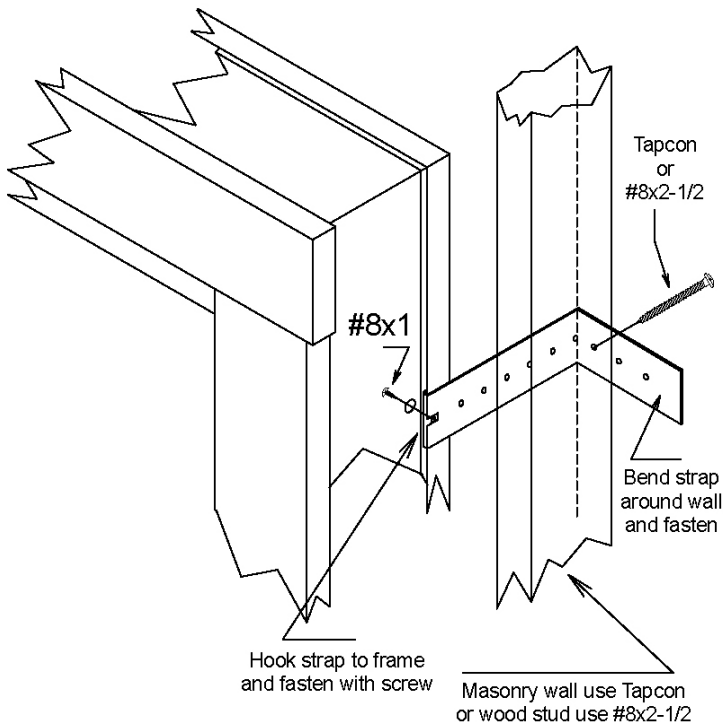
Revised 08/16/2022

Window Mounting Illustration

SHIM INSTALLATION



STRAP INSTALLATION



Revisions:

ECN
22737

Date
08/16/2022

