



201 Grandin Road
Maineville, Ohio 45039
(513) 677-0500

MSR and MSR/Video Stand Manual

Copyright 2014 E. F. Bavis & Associates, Inc.
All Right Reserved

Revised: 02/14/2014
PN: 00900271

MSR Stand Manual

Table of Contents

Parts List	1
System Overview	1
Installation of Stand	2
Assembly Illustration	4
Suggested Bollard Placement	5

Parts List

<u>PART #</u>	<u>DESCRIPTION</u>	<u>QTY</u>
27036591	MSR/Video Weldment	1
27033011	MSR/Video Mounting Angle (Installed)	2
27034011	MSR/Video Base Cover (Installed)	1
27044991	MSR/Video Cable Kit (Installed)	1
06926036	1" Hole Plug (Installed)	1
22139011	34mm Set Screw Collar (1 if MSR only, 2 if MSR/Video) (Installed)	1 or 2
97005061	3/8-16 Nylon Locking Nut (Installed)	3
97006000	3/8 SAE Flat Washer (Installed)	6
97310063	3/8 ID x 3/4 OD x 1-15/16 Spacer (Installed)	1
97482301	3/8-16 x 3 Hex Cap Screw (Installed)	3
00900271	MSR Stand Manual	1

System Overview

The MSR, (Magnetic Strip Reader), and the MSR/Video Stand Assemblies are designed to be used with the TransTRAX Captive Carrier – Reverse Customer delivery system. Like the TransTRAX Captive Carrier, the stand is designed so that it can be mounted directly to the drive surface if there is no raised island. With this design, it can be used on any height island/curb up to 15", by cutting the dimension of the island/curb height off of the bottom of the stand's column. There will need to be a 110Vac circuit available in the canopy that is within 24" of where the customer vertical comes through the canopy ceiling.

The MSR and audio/video cables, as well as the lanes control cables are run through the unit inside of the systems tubing. These MSR and audio/video cables can exit the tubing by either through a hole in the side of the tubing above ceiling or through a pull box mounted in the wall behind the inside vertical's wall standoff. The cabling can then be routed to locations of the MSR connection point and the audio/video console or hub.

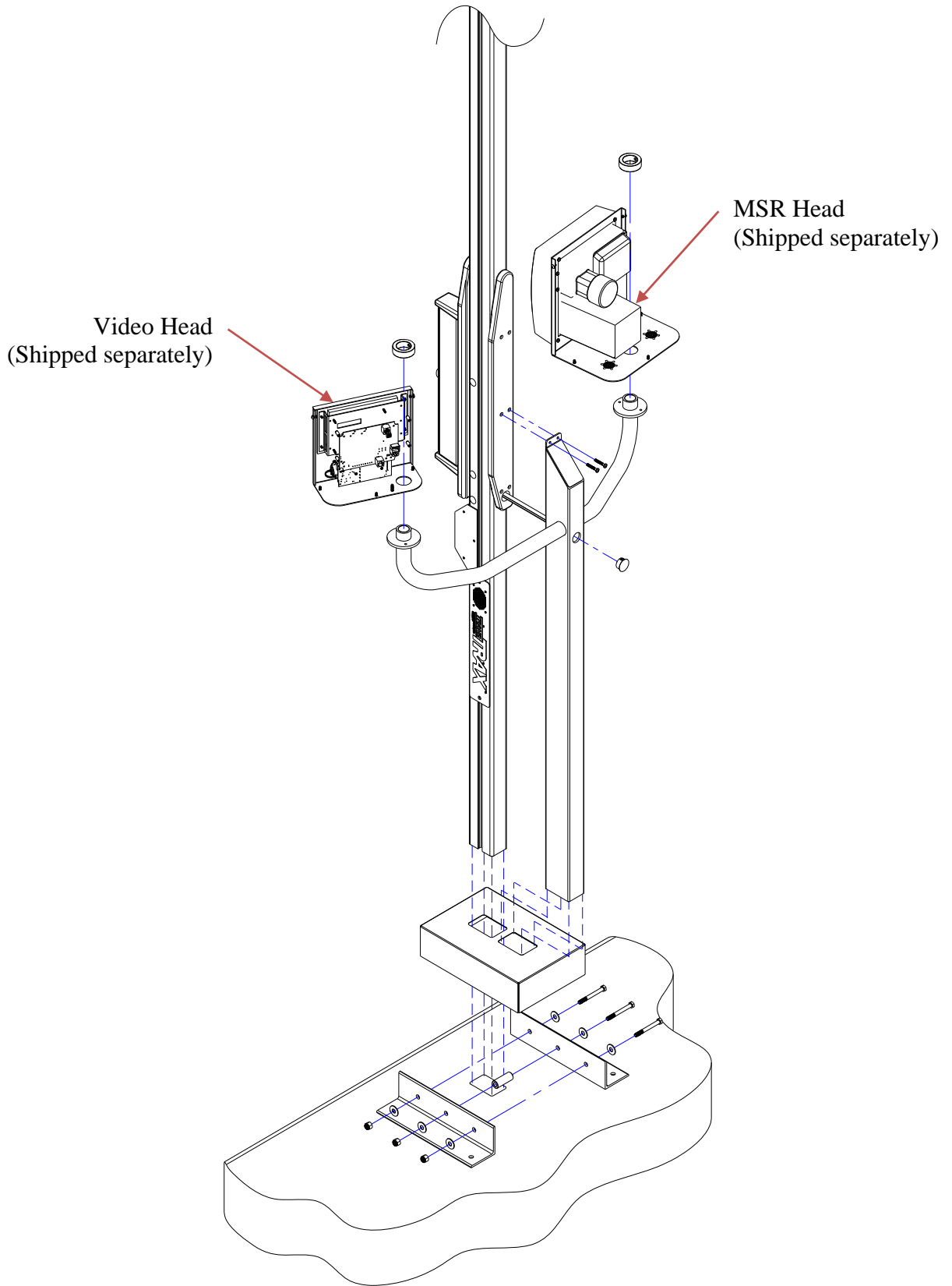
Installation of Stand

1. Install the TransTRAX Captive Carrier as instructed in the manual supplied with the system, starting at the inside vertical unit. During this part of the installation, it will be necessary to route the audio (Blue) and the MSR (Red) cat5 cables from this end of the lane down the wall to the locations of the audio/video console and the MSR connection point. Depending on the site requirements, this can be done either by bringing the cables out through a hole in the side of the tube above the ceiling, or by going through a pull box mounted in the wall behind the TransTRAX wall standoff.
2. Drill a 7/8" hole, (if one has not been provided), in the side of the customer radius or horizontal tube, above the ceiling for the MSR power cable to come out of the tube and be run to the MSR Power Supply Box.
3. Remove the MSR/Video Mounting Angle assembly and the MSR/Video Base Cover from the TransTRAX customer-MSR Stand assembly.
4. Prepare the TransTRAX customer vertical for installation as instructed in the TransTRAX installation manual, but, do not mount the tube to the island/curb. (Note: The centerline of the TransTRAX customer vertical tube is to be 9" back from the edge of the curb as described in the TransTRAX installation manual. The TransTRAX Mounting Base channel does not have to be used to secure the customer vertical to the island/curb when a MSR Stand is also being installed.)
5. Cut the same amount off the bottom of the MSR Stand's column, as was cut off the bottom of the TransTRAX customer vertical tube. (Note: Since the MSR Stand is made of steel, it is recommended that all cuts and holes made be painted or otherwise sealed.)
6. Carefully slide the base cover onto the TransTRAX customer vertical and MSR Stand assembly and temporarily secure so that the paint is not be scratched.
7. Assemble the mounting angles, 3/8" nuts, bolts, washers and spacer onto the bottom of the customer tube and MSR Stand, with the spacer on the center bolt and between the two angles, (Do not tighten).
8. Place the customer vertical and MSR Stand assembly into position on the island/curb, connect all cables and rout the MSR power cable to the MSR Power Supply Box.
9. Connect and secure the customer vertical to the TransTRAX tubing that runs into the canopy.
10. Check that all joints are straight and the tubing is plumb.
11. Slide the mounting angles down the tubes until it is firmly on the top of the island/curb and tighten the 3/8" mounting angle bolts to the tubes.
12. Using the holes in the mounting angles as a template, mark and drill for the island/curb for screws to secure the angles to the island/curb.

13. Slide the base cover down until it rests on the island/curb and then secure it to the surface with a small bead of caulk. (It is recommended to leave gaps in the bead of caulk at the corners to allow for drainage.)
14. Connect the MSR power supply cable that is coming out of the top of the customer to the MSR Power Supply Box as instructed in the MSR installation manual.
15. Connect the remaining cables of the MSR/Video Stand to their respective cables of the TransTRAX customer vertical, and re-install the customer tube's cover plate and any other covers or plugs.
16. Install the MSR head and the video head as per their installation manuals.

For Technical Support call E.F. Bavis at (513) 677-0500 and ask for Audio Support.

Assembly Illustration



Suggested Bollard placement only, actual placement is at the discretion of others.

