
Manual Transaction Drawer (MD2) Debit Card Cord Installation Manual

E. F. Bavis & Associates, Inc.

201 Grandin Road
Maineville, Ohio 45039
(513) 677-0500

Manual Transaction Drawer™ Debit Card Cord Installation

Table of Contents

Tool, Parts List & Installation Instructions.....	1
Figure #1	3
Figure #2	4
Figure #3	5
Figure #4	6
Figure #5	7
Figure #6	8

Installation Instructions

<u>TOOLS REQUIRED</u>	<u>QTY.</u>
Drill	1
7/16 Wrench	1
Screw Driver	1
3/16 Drill Bit	1
1 3/8 Punch	1
Side Cutters	1

<u>PARTS PROVIDED</u>	<u>QTY.</u>
Drawer Bracket	1
1 3/8" Modified Hole Plugs	2
1/4-20 Lock Nuts	2
Bin Bracket	1
4-40 Nylon Locking Nuts	2
Cable Carrier	1
1/4-20 Kep Nut	1
1/4-20 x 1-1/2" Ribbed Carriage Bolt	2
Medium Wire Ties	5
Lanyard	1
#10-32 Nylock Nut	1
#10 Washer	2
#10-32 x 1/2 Button Head Screw	1

Installation Procedure

1. Run the drawer to the full out position, remove the five back panel screws, and remove the back panel (Figure 1).
2. Go outside and mark the locations for the 3/16" (0.188") and 1 3/8" (1.375") diameter holes in the side and the upper corner of the back of the red drawer bin (Figure 2).
3. Using a 3/16" (0.188") drill bit, drill the finished hole in the side of the red drawer bin, for the lanyard attachment.
4. Make a 1-3/8" (1.375") diameter hole in the rear of the red drawer bin using a 1-3/8" hole punch, hole saw, or Uni-bit, and then deburr all holes.
5. Install one end of the lanyard to the side of the red drawer bin 0.188" diameter hole with the hardware provided, (Figure 2).
6. Remove metal chips and debris, from red drawer bin, and drawer shell.
7. Go inside and make a 1-3/8" (1.375") diameter hole in the back panel, using a 1-3/8" hole punch, hole saw, or Uni-bit, and deburr the hole and remove debris.

8. Remove the snap cable carrier zipper, from the cable carrier (Figure 3).
9. Install the credit card reader cord into the cable carrier.
NOTE: May have to remove last link of cable carrier to install reader cord. Make sure that there is sufficient slack at each end of the cable. Cable length varies between stores.
10. Reinstall cable zipper into cable carrier.
11. Remove the nut from the #6-32 stud located on the inside of the drawer shell, near the center of the bottom (Figures 1 & 5).
12. Mount the cable carrier and harness to the drawer shell by putting the small bracket onto the #6-32 stud, and reinstalling the nut removed in work step above.
13. Mount the large bracket to the cross bar in the back of the red drawer bin using the two lock nuts and ribbed carriage bolts provided, (Figures 4 & 5).
14. Feed the cable through the hole in the red drawer bin, and install one of the modified 1 3/8" hole plugs with the split around the cable.
15. Feed the other end of the cable through the hole in the back panel and install other modified 1 3/8" hole plug by sliding cable through split.
16. Using the wire ties provided, tie off the cable at the red drawer bin end to avoid it getting caught on the internal components as the drawer moves in and out.
17. Run drawer to make sure that cable is free from moving parts.
18. Reinstall the back panel, (Figure 6).
19. Install the other end of the lanyard to the credit card reader with the connecting bracket (Figure 2).
NOTE: Each reader is different, so each installation will be modified according to space available (hardware not included).
20. Connect credit card reader cord to reader.

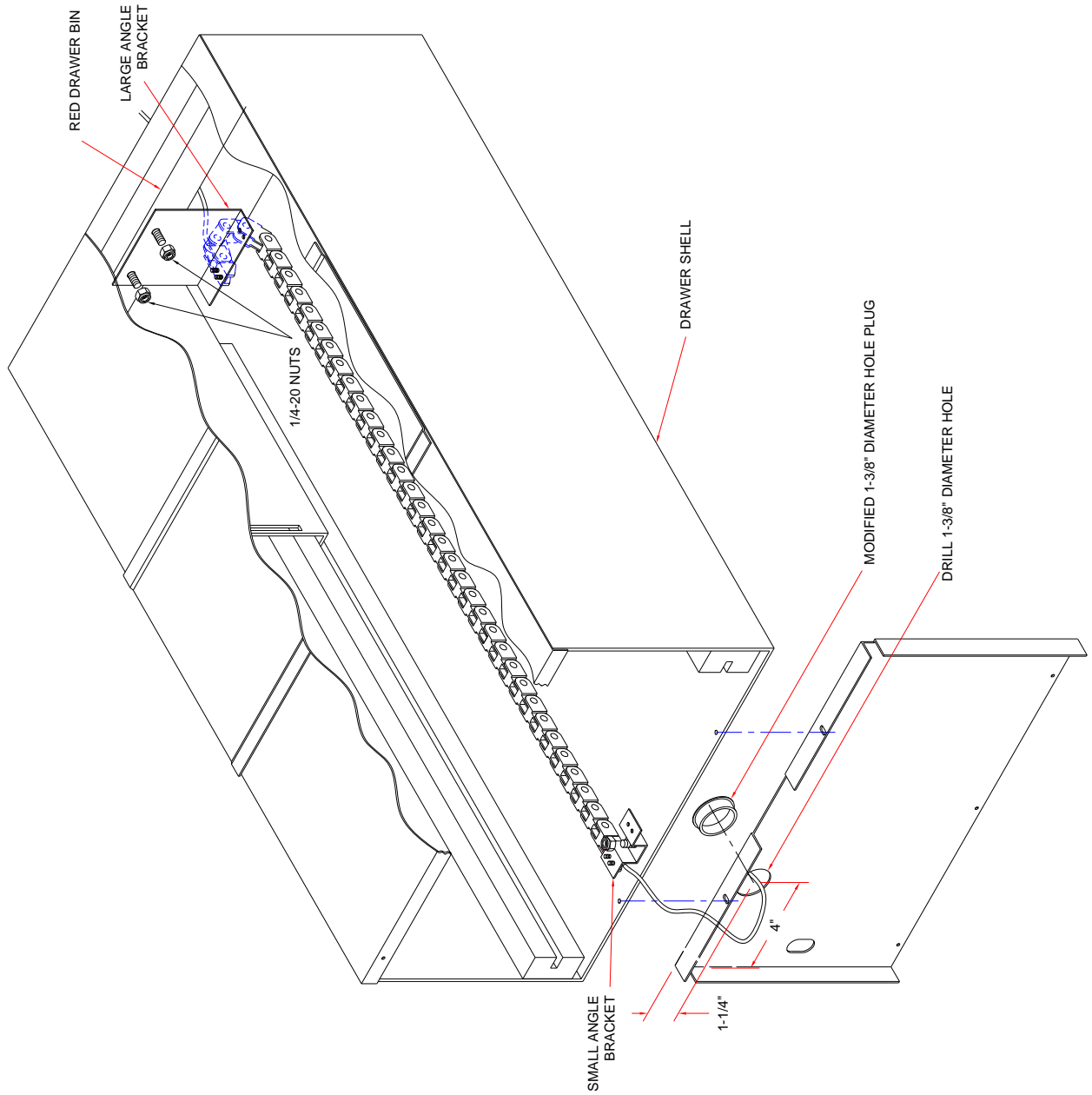


FIGURE #1

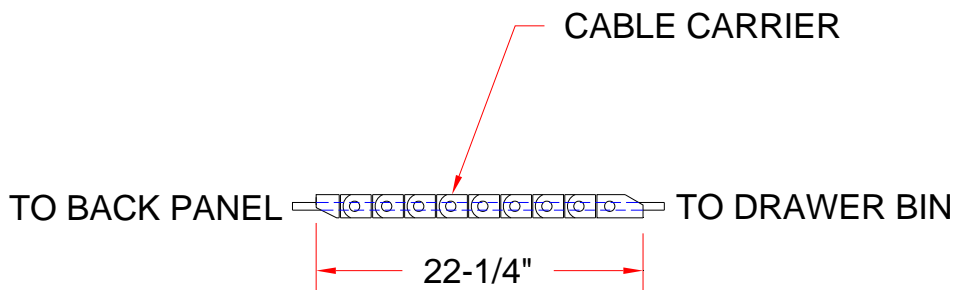
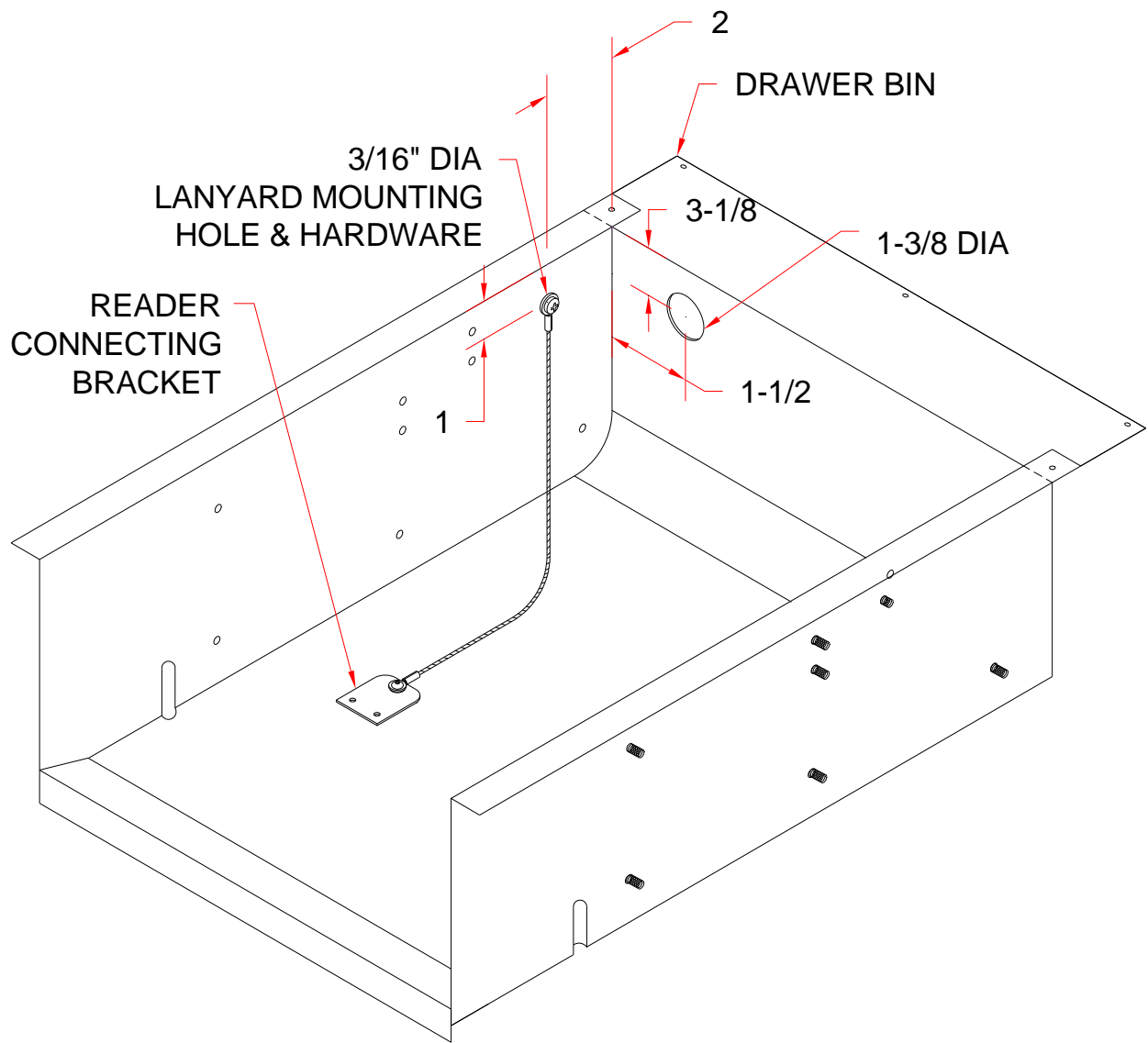


FIGURE #2



FIGURE #3



FIGURE #4



FIGURE #5

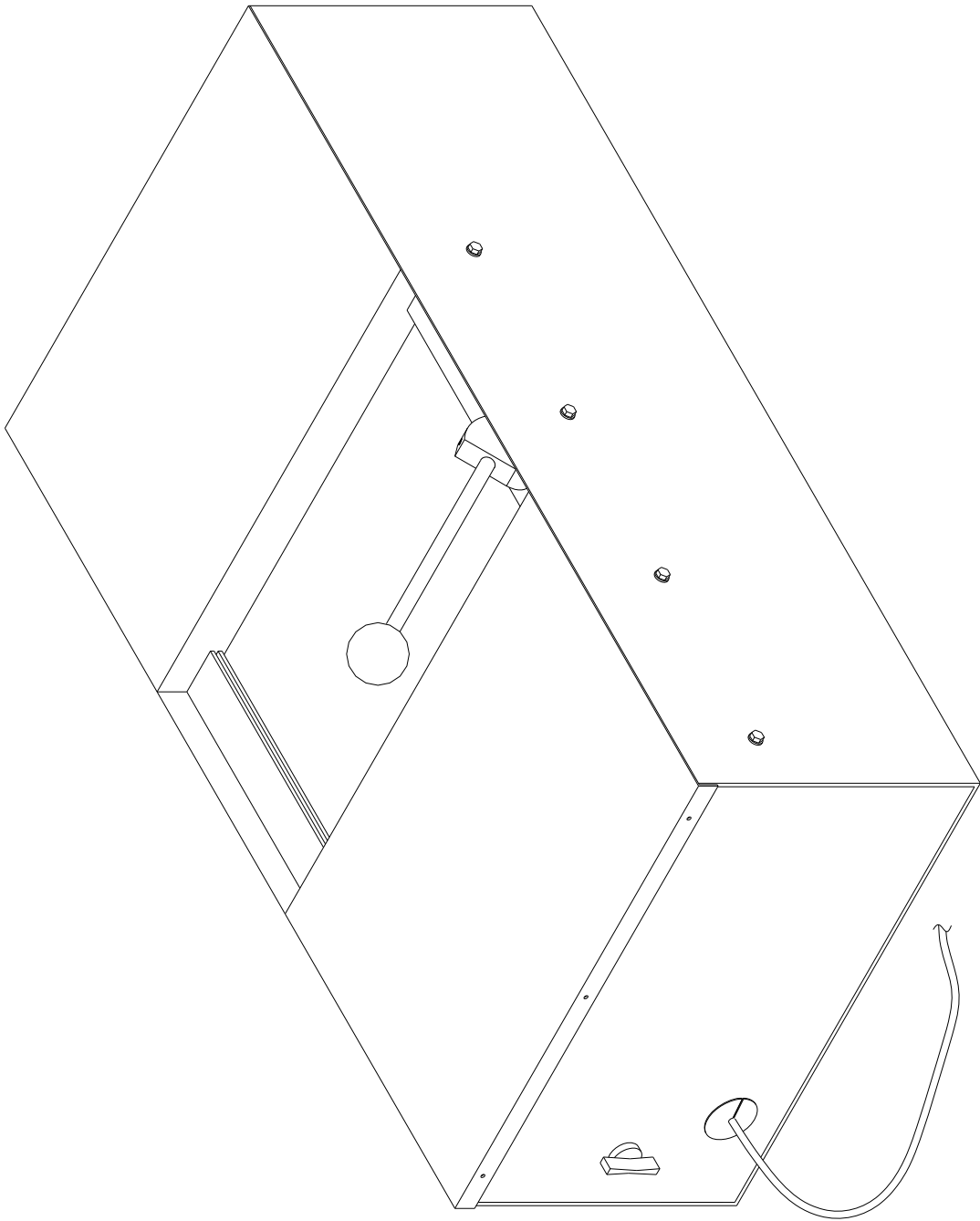


FIGURE #6

