



201 Grandin Road  
Maineville, Ohio 45039  
(513) 677-0500

# **Basic Drawer 2, (BD2) Heater**

## **Installation Manual**

---

Copyright 2014 E. F. Bavis & Associates, Inc.  
All Right Reserved

Revised: 11/12/2014  
PN: 00767011



# Basic Drawer 2, (BD2), Heater Installation

## Table of Contents

Installation Instructions.....	1
Operation Instructions.....	2
Parts Supplied List .....	2
Figure #1 & #2.....	3
Figure #3 & #4.....	4
Figure #5 & #6.....	5
Figure #7.....	6
Wiring Schematic.....	7



## **Installation Instructions**

### **Tools Needed:**

5/16" Wrench or Nut Driver  
Flat Blade Screwdriver  
1/4" Wrench or Nut Driver  
7/16" Wrench or Ratchet

### **Installation Procedure**

(**Note:** For better visibility in the attached pictures, the countertop was removed. If you wish to do this for your installation, there are four screws that attach the bottom of the countertop to the drawer frame.)

Remove back panel from drawer. There is (1) screw on each side of the back panel, (2) at the top of the panel that screw into the countertop, and the (2) screws across the bottom of the panel.

With the drawer fully retracted, remove the (2) 1/4-20 nuts connecting the Drawer Handle to the Red Bin Assembly. (Note: Use caution when removing Drawer Handle as the Red Bin will slide completely out of the Shell.)

Remove Red Bin Assembly from Shell by pulling back to you. Clean the back surface of the bin that the heater will be applied to. Windex or similar cleaners work best. Do not use lacquer thinner or other solvents. Mark the location of the heater as shown in Figure #1. Peel the protective paper from the back of the heater and press firmly on the back of the drawer with the leads orientated as shown in Figure #1.

Stick a wire tie block on the side of the red bin as shown in Figure #1.

Install the cable chain assembly to the side of the drawer as shown in Figure #2.

Connect cable to the heater pad wires and secure the wiring with the wire ties provided, as shown in Figure #1.

Reinstall the red bin. Secure the Drawer Handle to the Red Bin Assembly.

Mount the cable chain to the support shelf inside of the drawer shell.  
See Figures #3 & #4

Run the connector cable from the shell/shelf end of the cable chain to the outside the drawer through the grommet. Use wire ties on both sides of the grommet to

strain relief the cable, snap the grommet into place, and then connect Heater Harness B. See Figures #5 & #6

Mount the heater power supply in a position so the switch is accessible, drill holes as necessary with the bit provided. If mounting the supply to the side of the drawer, check that the holes and screws will not damage or interfere with drawer operation, and secure with the #8x3/8" hex headed thread forming screws provided if mounting to the outside side of the drawer, or the #8 x 5/8 sheet metal screws provided, if you are mounting to the bottom of the countertop.

Route and secure cable as needed.

Wire the heater power supply to a 120V circuit following NEC and all local codes. *6" 16ga leads are provided for the power connection.*

Plug the connector cable into the back of the heater power supply.

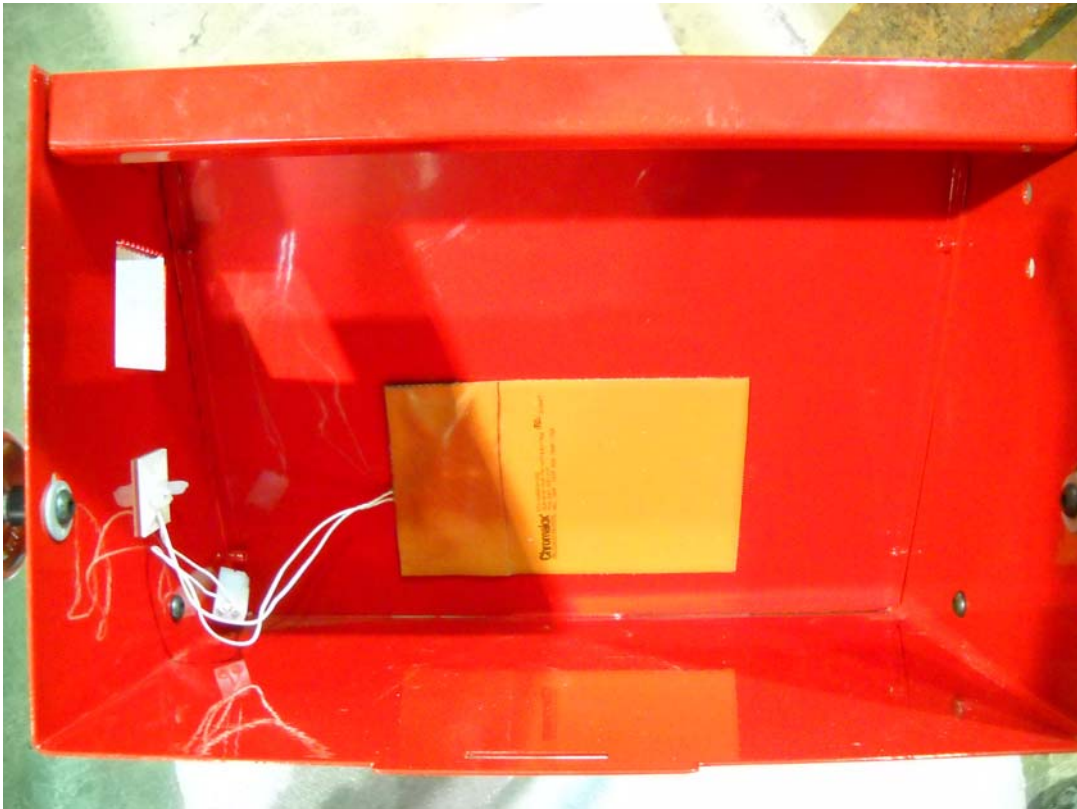
### **Heater Operation**

Turn on with the rocker switch on the face of the heater power supply. The switch should illuminate.

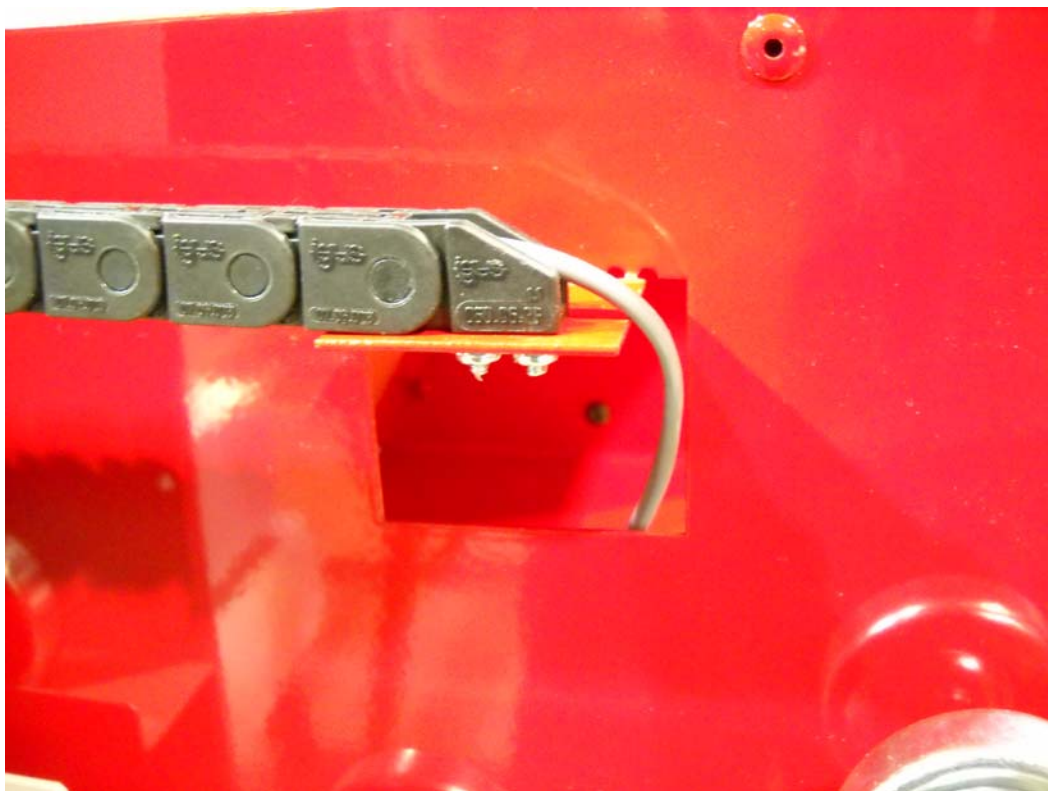
The drawer will get warm to the touch. The heater is powered from low voltage and protected by a 4 amp *circuit breaker* in the heater power supply. The heater is controlled by a non-adjustable thermostat. A non replaceable over-temperature device is built in to the heater to protect against thermostat failure.

### **Parts Supplied:**

<b><u>ITEM</u></b>	<b><u>DESCRIPTION</u></b>	<b><u>QTY.</u></b>
1	Flexible Heater Assem.	1
2	Wire Tie Block	1
3	Wire Ties	6
4	Cable Chain Assem.	1
5	Heater Harness B	1
6	1/4" nuts	2
7	Heater Power Supply	1
8	#8 Thread rolling screws	4
9	#8 x 5/8" Sheet Metal Screw	4
10	#6 nuts	4
11	Orange wire nuts	3
12	9/64" drill bit	1
13	Strain relief	1
14	18-3 Power cord	1



**FIGURE #1**



**FIGURE #2**



**FIGURE #3**

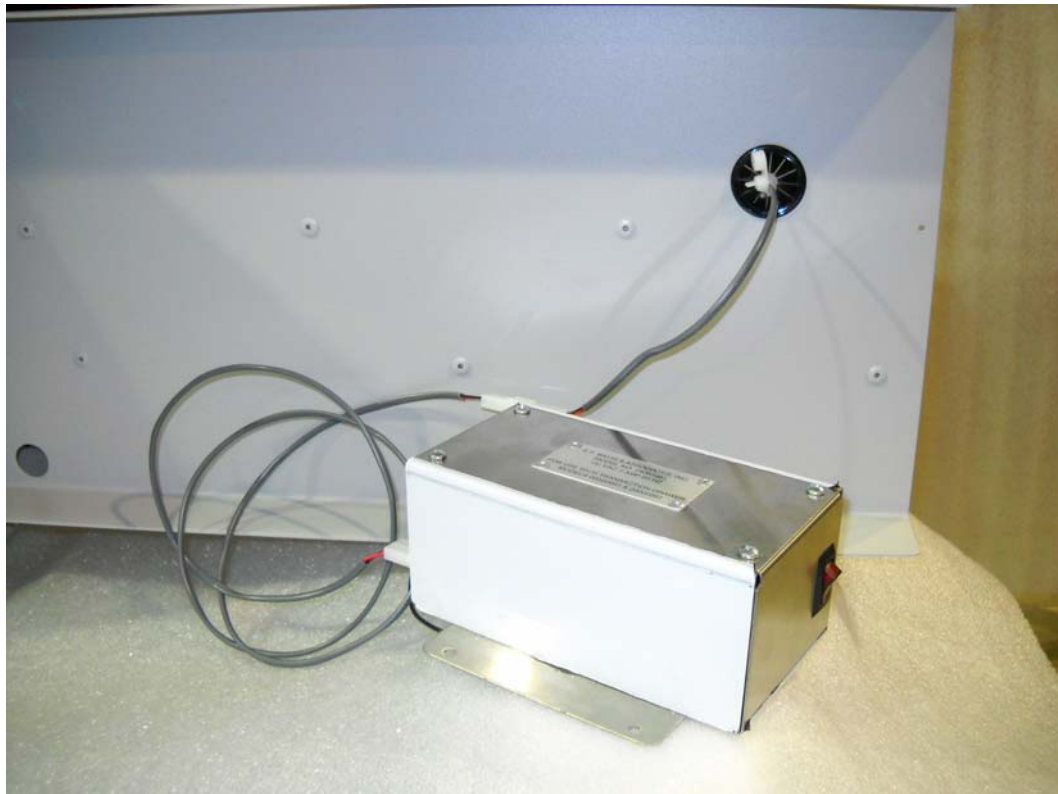


**FIGURE #4**

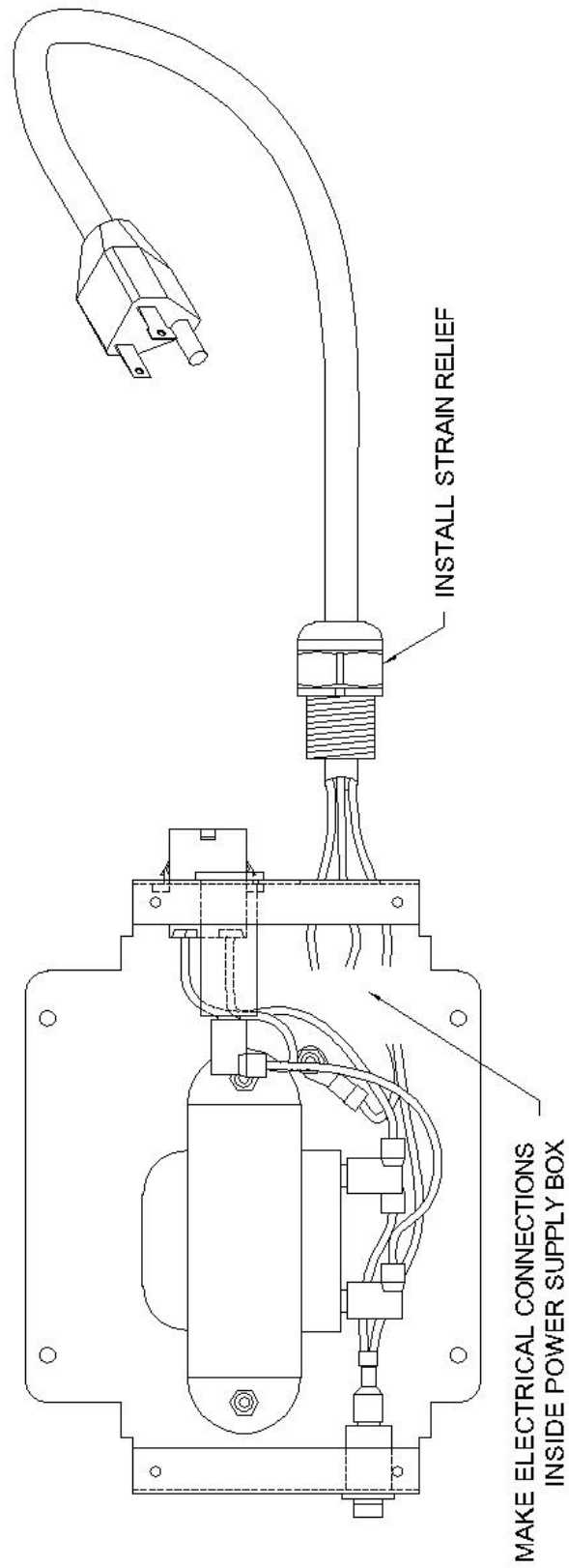




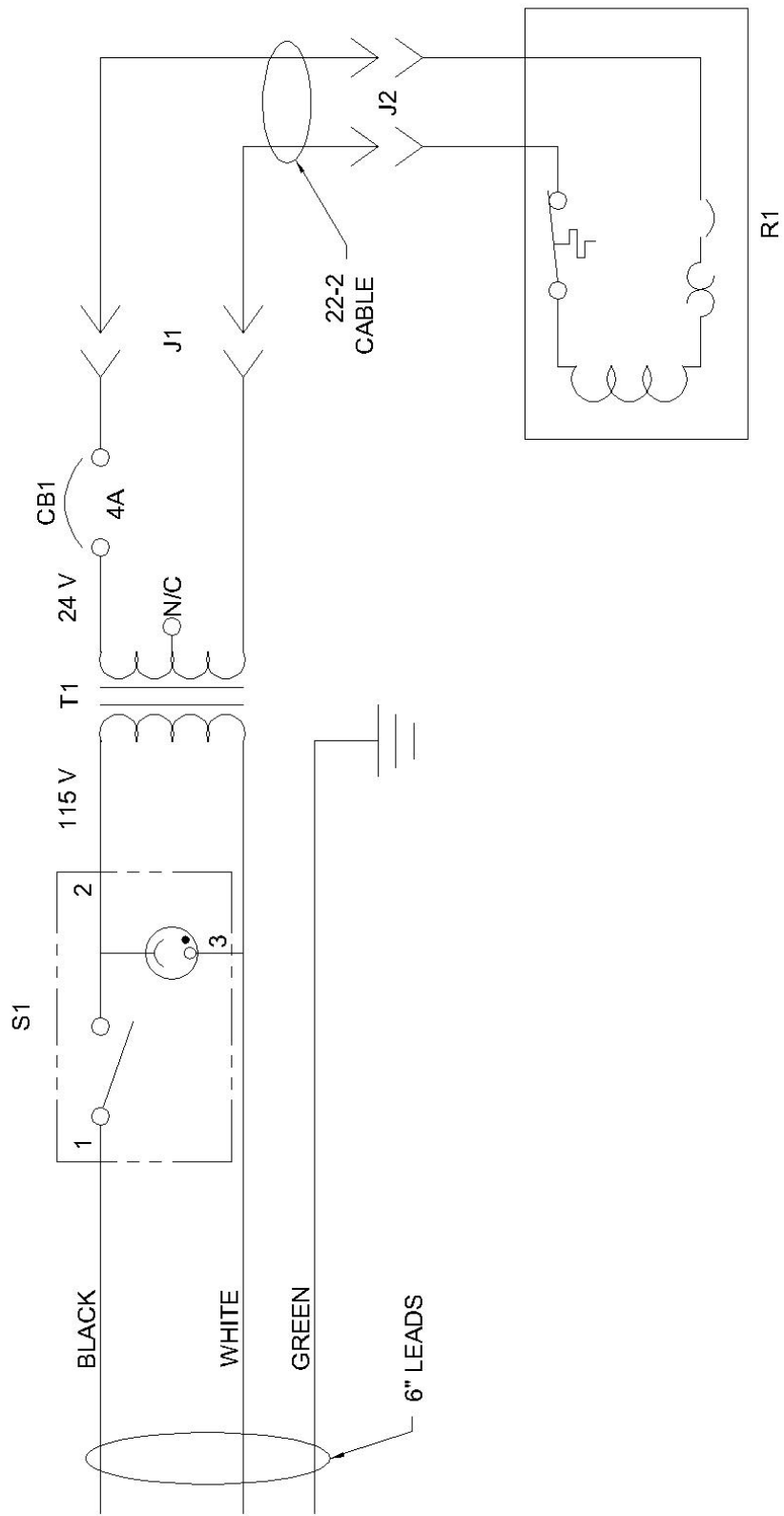
**FIGURE #5**



**FIGURE #6**



**FIGURE #7**



**WIRING SCHEMATIC**

