



---

201 Grandin Road  
Maineville, Ohio 45039  
(513) 677-0500

# **Basic Manual Transaction Drawer 2<sup>TM</sup> (BD2<sup>TM</sup>)**

## **Installation and Service Manual**

---

Copyright 2016 E. F. Bavis & Associates, Inc.  
All Right Reserved

Revised: 05/31/2016  
PN: 00764011



# Basic Manual Transaction Drawer 2™

## Table of Contents

Features .....	1
Installation/Service Information .....	2
Troubleshooting .....	3
Fig. 1 – Mounting Flange Assembly .....	4
Fig. 2 – Removing Back Panel Illustration.....	5
Exploded Parts Diagram .....	6 - 10
Parts List .....	11
Installation Dimensions .....	12
Wall Opening Height Reference .....	13



## Features

The *Basic Manual Transaction Drawer 2™* is a reciprocating conveyor system for use in package passing applications. Burglary, theft protection and bullet resistant features have not been evaluated. The conveyor is designed to extend from the inside to the outside of a facility.

Mounting flanges are provided to secure the drawer assembly to the wall opening.

A night latch is provided.

The drawer frame is constructed of heavy 14 gauge steel with a durable powder coated finish. Its large 25 pound capacity is suitable for commercial or convenience store transactions.

The bin of the drawer is powder coated with a bright red finish and features a stop sign decal that is visible when the drawer is open. The drawer color and stop decal are designed to warn customers not to approach when the drawer is open.

Full 16-1/2" extension of drawer.

No wiper or sliding type weather seals. Our seals are replaceable and operate in compression to reduce wear and provide the best possible protection from the elements.

No belts or gearboxes are used.

No fuses to replace.

Customer audio components are built into the drawer assembly's outside face panel.

Almond counter top is standard. Other colors are available.

Clear interior door.

Sliding Bin Heater is optional.

**Note:** It is recommended that when using the audio system for this drawer in the "Hands Free" mode, Speaker Phone mode or with an audio console, to close the inside door when the drawer is extended out to the Customer, to minimize the chance of "Feed Back" in the audio system. If Feed Back does occur with the inside door closed, move the telephone base, or audio console further away from the door opening and operator handle slot, and/or adjust the volume level to a lower setting.

# **Installation and Service Information**

## **Installation**

1. Verify that the opening dimensions are correct.
2. Install the mounting flanges onto the pre-drilled holes in the outer edges of the inside face by installing the flanges so the face with the slots is against the inside face of the drawer assembly and the edge the slot is closest to is at the top of the flange, (See Fig. 1). Leave the screws slightly loose until the wall anchors are installed.
3. Lay a bead, or two, of caulk along the bottom of the opening and up each side an inch or two in a position so that the bead will be about an inch or two back from the outside face of the drawer assembly.
4. Position the drawer assembly into the opening and level.
5. Anchor the mounting flanges to both sides of the wall opening, then tighten the flanges to the inside face.
6. Caulk the outside perimeter to make weather tight.

## **Servicing the Inside of the Drawer**

Access to the inside of the drawer is through the inside back panel. There are two screws that go into the bottom of the counter top, and two up into the bottom drawer plate, that hold the back panel in place. There is one screw on each side that fastens the back panel to the vertical sides of the drawer frame. After removing the screws, tilt the bottom of the back panel out, and then drop it down to remove, (See Fig. 2). Reverse this procedure to reinstall the back panel.

## **Drawer Bin Removal**

To remove the Red Bin, it is necessary to remove the back panel as stated above, and then remove the two bolts and spacers attaching the operator handle. The bin is then pulled into the building to remove it from the drawer assembly.

Reinstalling the drawer is as simple as sliding the drawer back into position and reversing the above procedure.

## **Troubleshooting**

### **Drawer won't work.....**

Check for damage to drawer.

Is the drawer jammed? If the drawer is jammed, correct the problem.

### **Drawer won't run out...**

Check night latch, set to unlock.

Check that the customer door latches work freely.

### **Drawer won't close fully...**

Check that night latch is set to unlock.

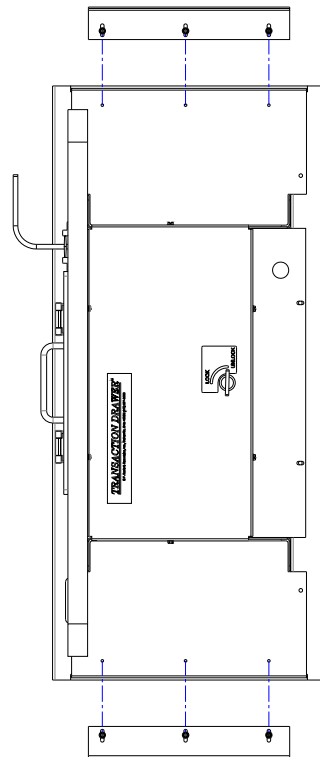
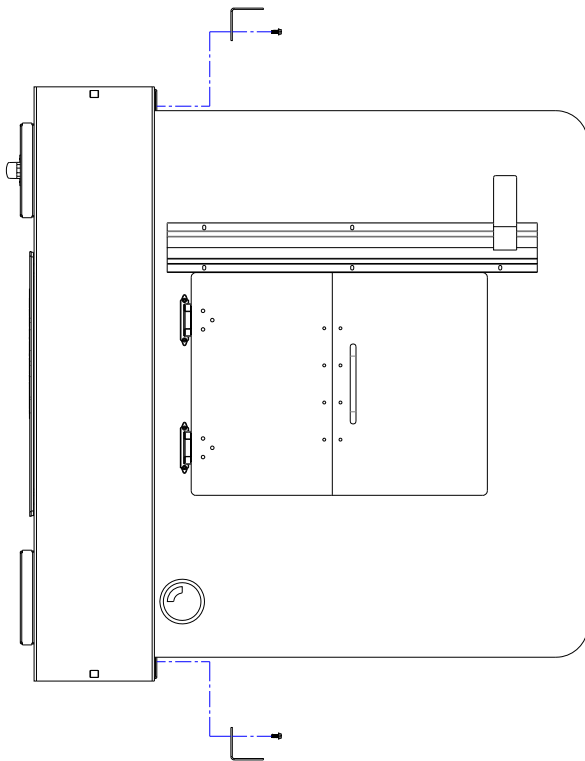
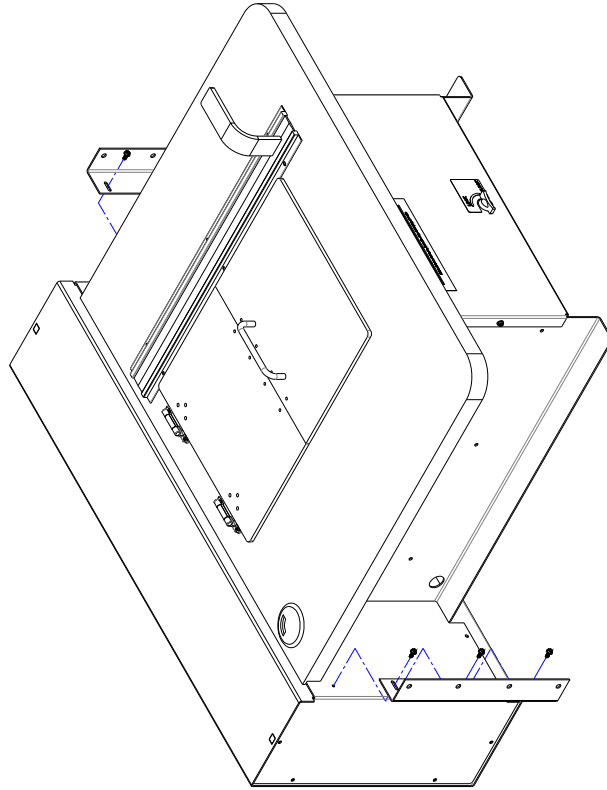
Check for damage to drawer.

Check for object between the sliding bin and the inside back cover.

Is the drawer jammed? If the drawer is jammed, correct the problem.

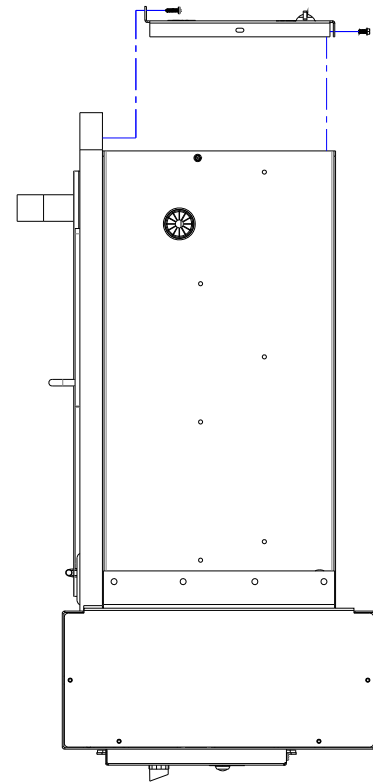
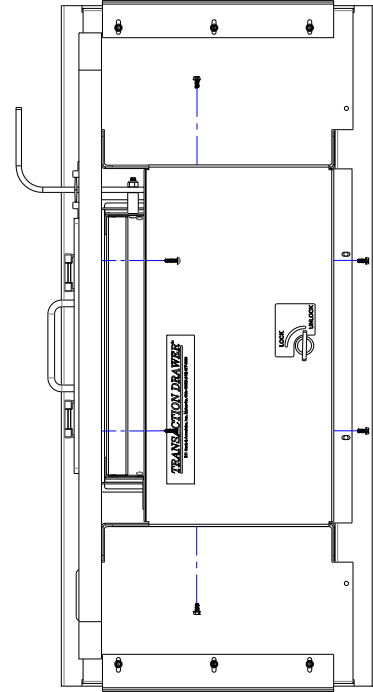
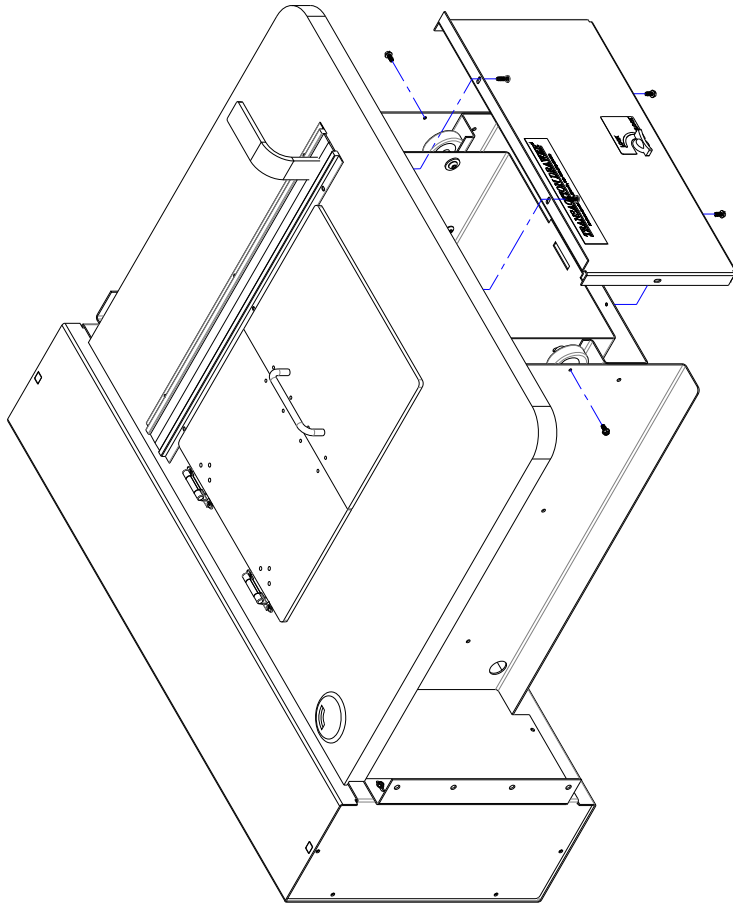
After completing the above, if a problem continues, contact qualified service personnel.

**Fig. 1 – Mounting Flange Assembly**

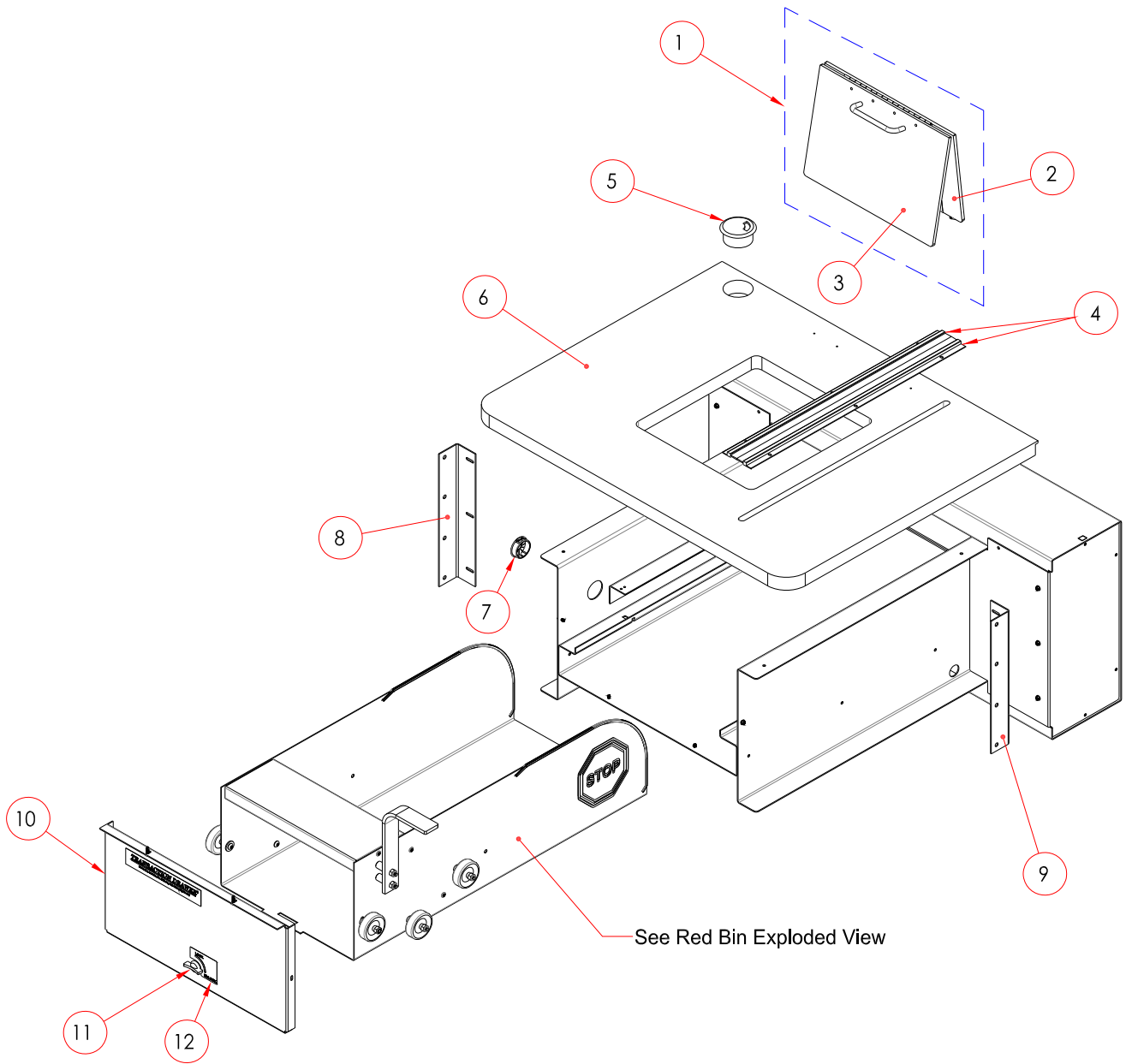




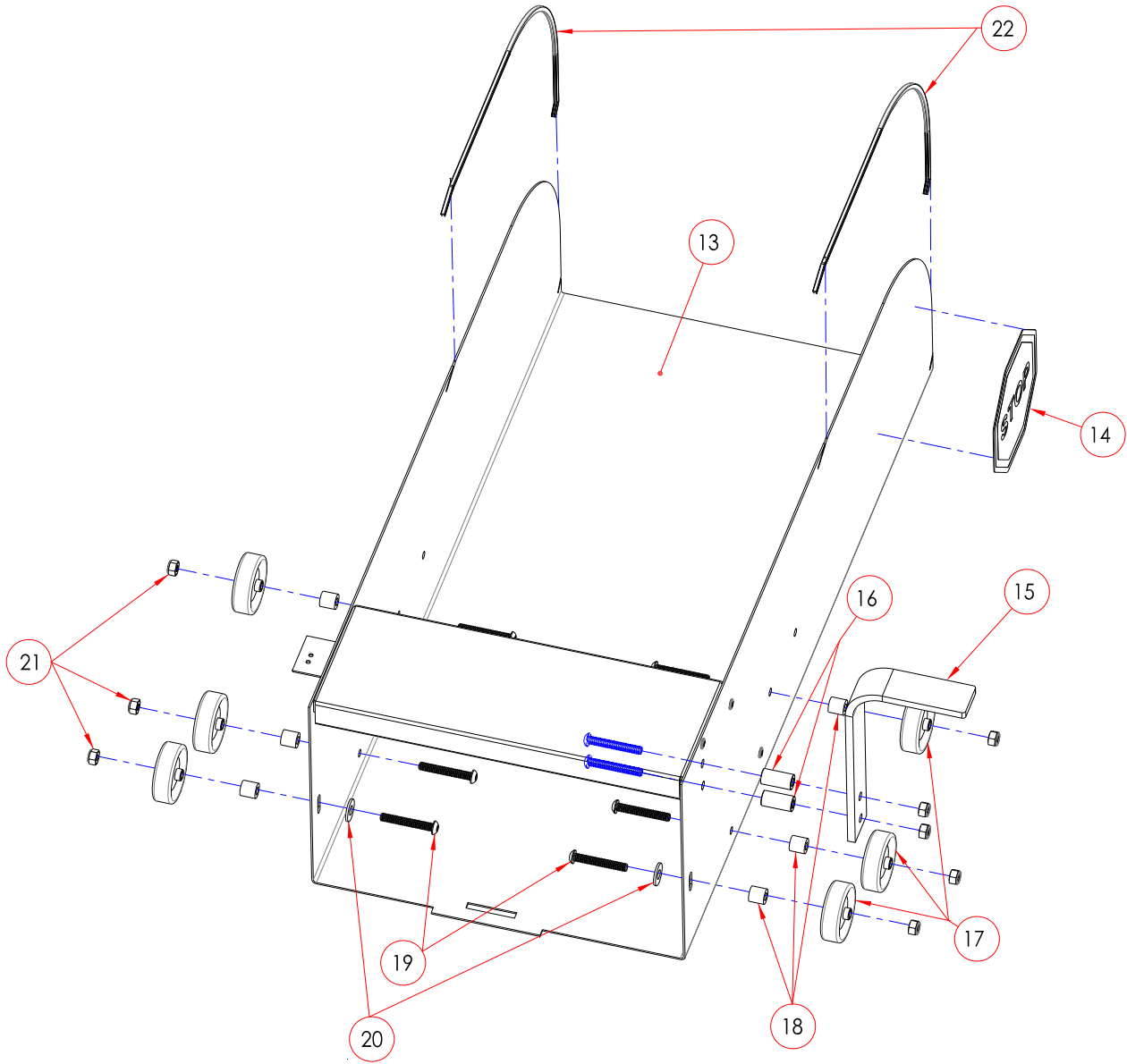
**Fig. 2 – Removing Back Panel**



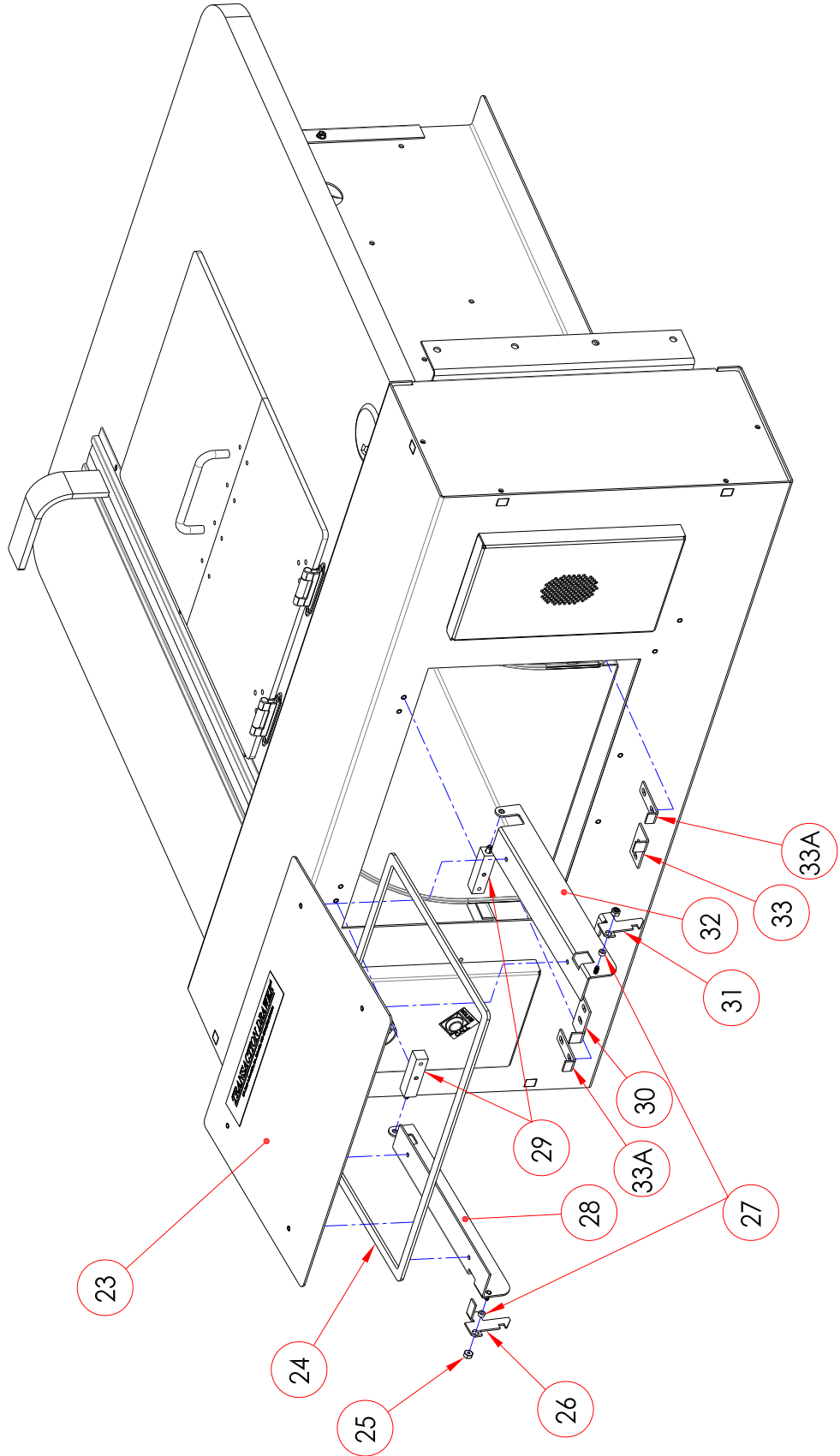
# Inside Parts Exploded View



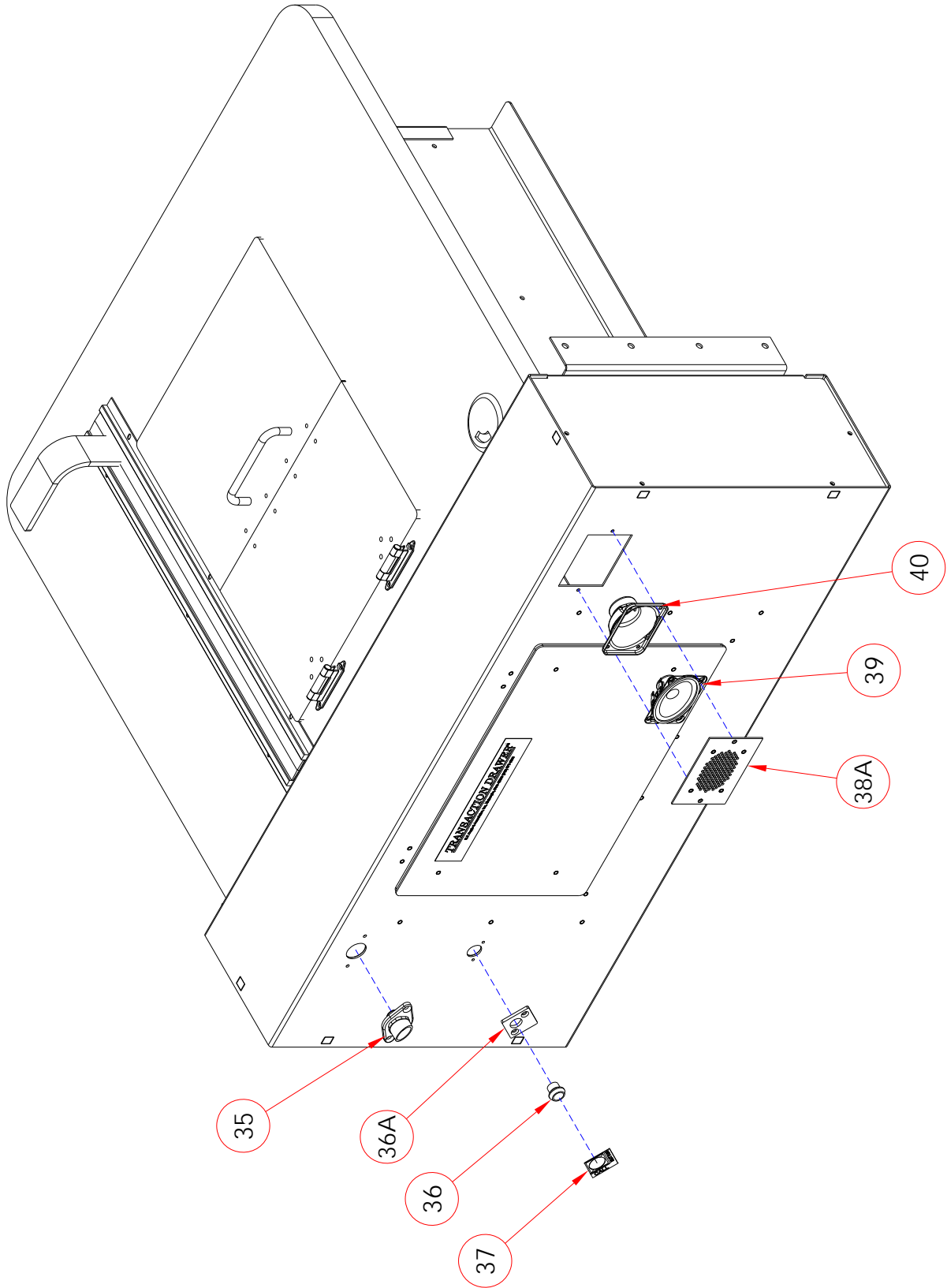
# Red Bin Assembly Exploded View



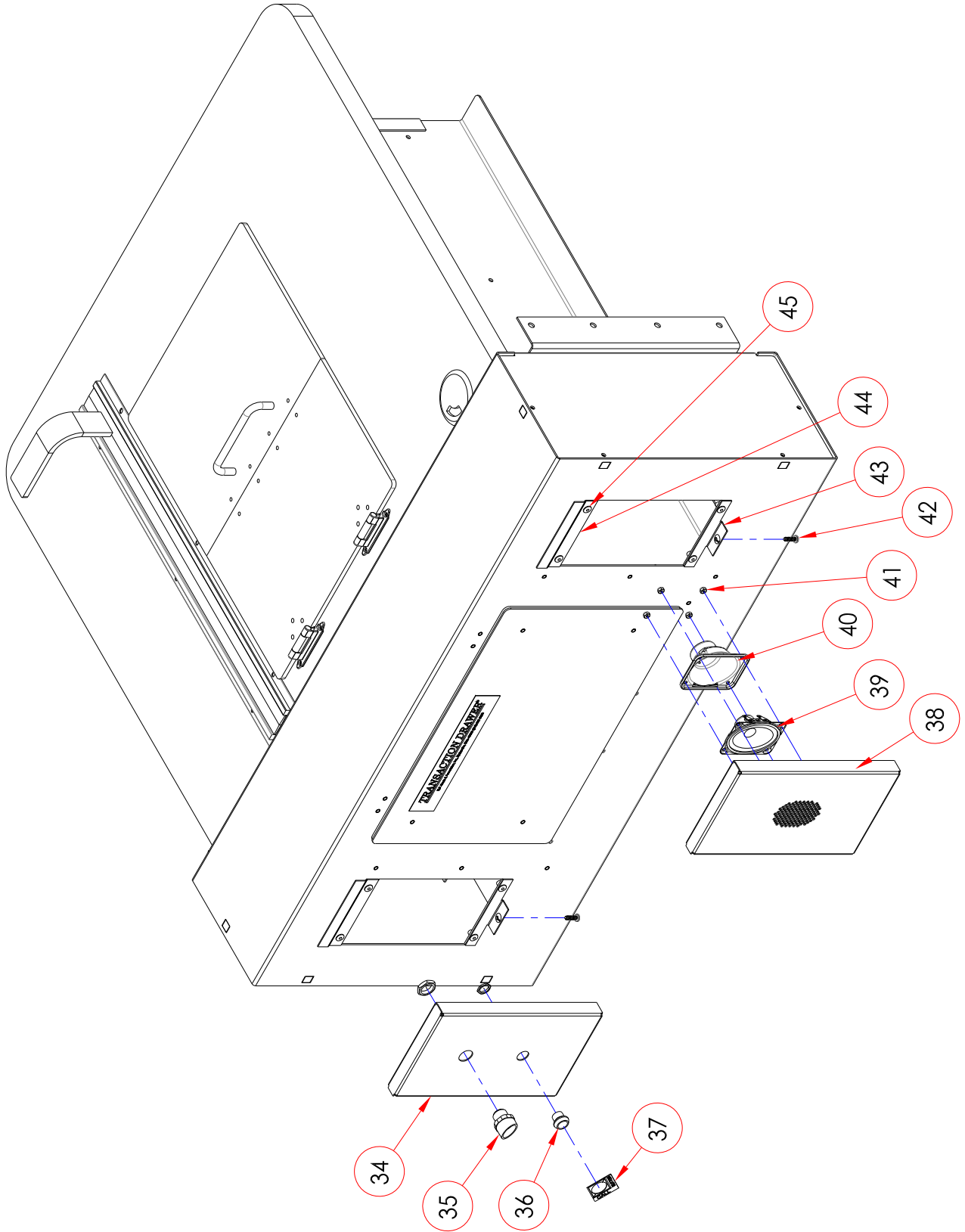
# Customer Door Exploded View



# Audio Components Exploded View - Early Version



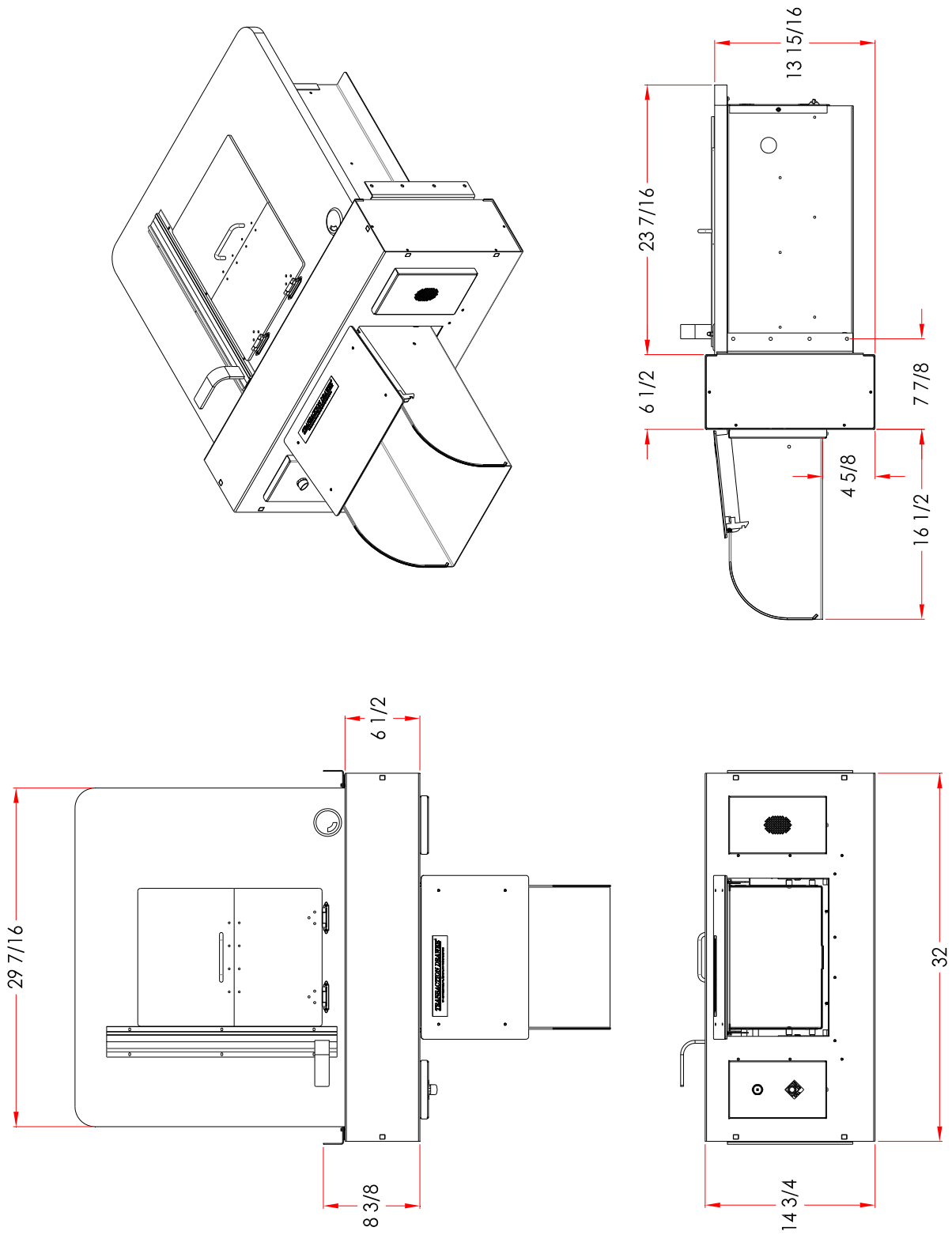
# Audio Components Exploded View - Current Version



## Parts List

<u>Item #</u>	<u>Part #</u>	<u>Description</u>	<u>Includes Item</u>	<u>Qty.</u>
1	28022592	BD2 Teller Door Assembly	2,3	1
2	28023021	BD2 Teller Door Hinge Section		1
3	28023031	BD2 Teller Door Handle Section		1
4	28024191	BD Handle Brush Strip		2
5	12002211	Multi Opening Wire Grommet		1
6	28007021	BD2 Counter Top		1
7	06926040	1-3/8" Universal Bushing – w/Flexible Shutters		1
8	28027021	BD Left Mounting Angle		1
9	28027011	BD Right Mounting Angle		1
10	28012592	BD2 Back Panel Assembly	10,11	1
11	00592991	Replacement Lock Assembly		1
12	00537041	TD Opaque Lock Label		1
13	28010592	BD2 Bin Assembly	14,22	1
14	00537031	TD Stop Label		1
15	28008031	BD Aluminum Handle		1
16	13025011	1/2 OD x 1/4 ID x 1in Steel Spacer		2
17	28003011	Skate Wheel		6
18	28009011	Wheel Spacer		6
19	95282930	1/4-20 x 1-3/4 Button Socket Cap Screw		8
20	95006001	1/4 Flat Washer		2
21	95005002	1/4-20 Nylon Locking Nut		8
22	28035011	BD2 Red Bin Edging		2
23	28013592	BD2 Customer Door Assembly	23	1
24	28020021	BD2 Customer Door Gasket		1
25	92005002	6-32 Nylon Locking Nut		2
26	28017021	BD Right Customer Door Latch SM		1
27	92026006	#6 x 1/8 Brass Standoff		2
28	28014022	BD Customer Door Arm Right SM		1
29	28016011	BD Customer Door Pivot Block		2
30	28019021	BD Right Customer Door Catch (Early Version)		1
31	28017011	BD Left Customer Door Latch SM		1
32	28014012	BD Customer Door Arm Left SM		1
33	28019011	BD Left Customer Door Catch SM (Early Version)		1
33A	28019031	BD2 Customer Door Catch (New Version)		2
34	24085993	TDR Mic/Call Panel Assembly	35,36,41,42,43,44	1
35	22150991	Gray Rainshield Mic Kit		1
35	22151991	Black Rainshield Mic Kit		1
36A	00207022	Call Button Bezel SM		1
36	00353991	Call Button Replacement Kit		1
37	00207012	Polyester Call Button Label		1
38A	12009012	AW 2x3 Speaker Mounting Plate – (Specify Color)		1
38	24085992	TDR Speaker Panel Assembly	39,40,41,42,43,44	1
39	02909991	2x3 Speaker w-5/32in Mounting Holes		1
40	02909051	2x3 Speaker Backbox		1
41	91025011	4-40 Nylon Locking Nut		4
42	93100623	#8x5/8 Philips Pan SMS SS		2
43	24086032	Audio Panel Lower Mount		2
44	24086022	Audio Panel Upper Mount		2
45	94068201	3/16 x 1/8-1/4 Grip Rivet		8

# Installation Dimensions



Recommended Rough Opening of  
 $32 \frac{1}{4}$ " to  $32 \frac{3}{4}$ " Wide x  $14 \frac{3}{4}$ " to  $15$ " Tall



## Wall Opening Height Reference

Recommended distance from the drive surface to the bottom of the moving bin is 32" to 40".  
Actual distance is to be determined by others. Dimensions shown are for reference only.

