



201 Grandin Road
Maineville, Ohio 45039
(513) 677-0500

All-In-One Sr. Installation Manual

All-In-One SR Window Installation Manual

Table of Contents

Installation Accessories	1
Window Crate Check List.....	1
Pre-install Check List.....	1
Installation Procedure	2
Threaded Rod Length Illustration.....	3
Wiring Diagram	4
All-In-One SR Typical Details	5

Revised 08/08/19

Revised

ECN
20454

Date
08/08/2019

All-In-One SR Window Installation Accessories

Part #	Description	Qty.
12011041	Black Polyurethane Construction Sealant	2
93082933	#8-32 x 1/2" Button Socket Cap Screw	15
12007041	1/4" Hole Plug	15
00754011	AW SR Installation Manual	1
55555011	9/64" Jobbers Drill Bit	1
55555085	#8-32 Tap	1
12011011	AW Sill Plate	1
06975034	Yellow Wire Nuts	6
93009005	No. 8 / 10 Plastic Screw Cover - Black	15
55555065	3/32 Hex Key Long Arm	1
12186991	AW Sr Sleeve Threaded Rod Kit	1

Window Crate Check List

1. Check crate for any damage and that impact or tip indicators are not damaged and read correctly.
2. Inspect window / counter assembly as well as other contents of crate for damage.
3. Check that all items ordered are in crate and are of the color ordered.
 - a) Window / counter assembly.
 - b) Stainless sill plate.
 - c) Installation accessories box.
 - d) Audio and/or other items ordered.

Work To Be Completed Before Install

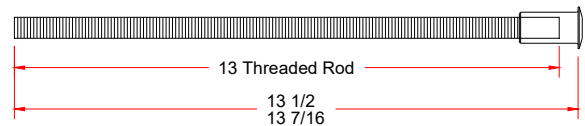
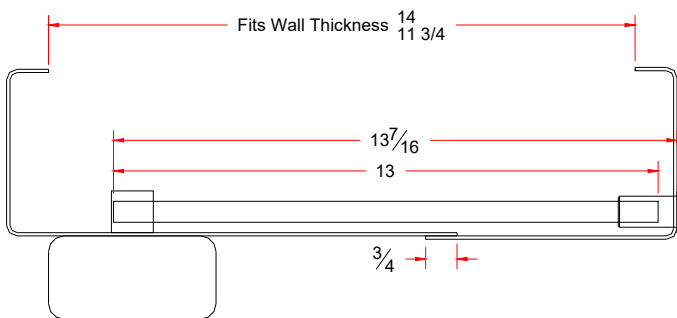
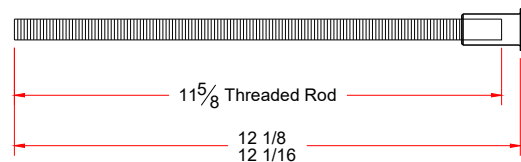
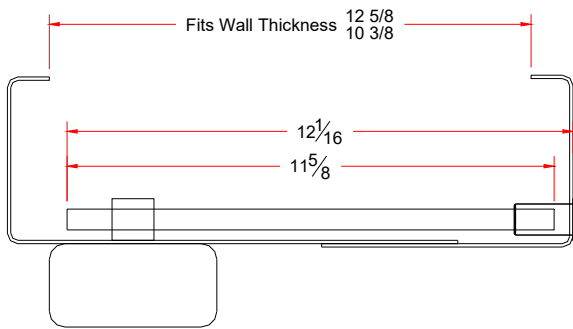
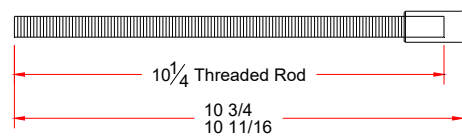
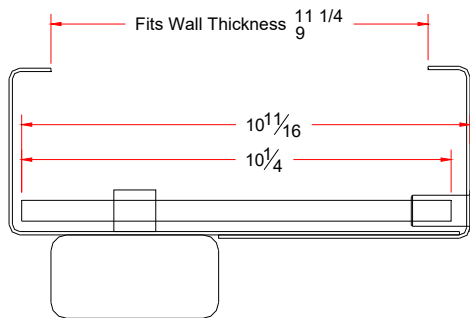
1. Conduit rough-in.
2. Check for correct AC line voltage for the window ordered. **Note: AC power should be 120 Vac, 15 amp, single phase. If window is equipped with optional cabinet heater, the AC power should be 208/240 Vac, 20 amp, single phase.**
3. Cut line in curb at wall opening for sill plate.
4. Check the dimensions of the window rough opening.
5. Dry wall work completed.
6. Check that the wall thickness is in the range for the window as ordered.
7. Check that outside wall surface is flat where it will contact trim flanges. **NOTE: Grinding or chipping at the texture brick may help the window to fit more flush.**

Window Installation Procedure

1. Remove the two lower shelves and check that the internal wires are secured so they will not be damaged when moving window assembly into place.
2. Adjust the (6) leveling legs on the inside bottom of the cabinets up so they will not catch on anything and prevent movement of assembly.
3. Cut sill plate to a snug fit in rough opening.
4. Caulk two even beads all the way across the bottom of the masonry opening and install the sill plate so the down-turned flange is in the cut in the curb and the up-turned flange will be on the inside of the window frame. Caulk sill plate ends to wall. **Note: Do not put caulk on top of the sill plate to seal it to window frame.**
5. Remove the shipping spacer boards and the (3) inside mounting sleeves.
6. Slide the window into place.
7. Insure that the window is flush to the outside wall, plumb and is level.
8. Adjust cabinet legs to help level and stabilize the window assembly.
9. Determine the length of 1/2-13 Threaded Rods that are needed, (See Threaded Rod Length Illustration). The illustration shows the Threaded Rod lengths needed for the Vertical Side Sleeves, based on the wall thicknesses. The (2) Threaded Rods for the Horizontal Top Sleeve will need to be 1/4" longer than those used for the Vertical Side Sleeves. (**Note:** The unit is shipped using the 10-1/4" & 10-1/2" Threaded Rods, the other length rods are in the Threaded Rod Kit provided in the Installation Accessories.)
10. Attached the Button Head Nuts to the correct sized Threaded Rod, (It is recommended that Loctite[®], or equivalent, be used to lock the Button Head Nut to the Threaded Rod).
11. Install inside mounting sleeves to clamp the window to the wall with the Threaded Rod and Button Head Nut assembly.
12. Insert 1/4" hole plugs into center of sleeve button head nuts.
13. Drill and tap the inner surface of the inside mounting sleeves through the provided holes. Secure the sleeves with the 8-32 x 1/2" Button Head Socket Cap Screws with Plastic Screw Covers installed using the 3/32 Hex Key.
14. Connect the AC line power to window harnesses. **Note: AC power should be 120 Vac, 15 amp, single phase. If window is equipped with optional cabinet heater, the AC power should be 208/240 Vac, 20 amp, single phase.**

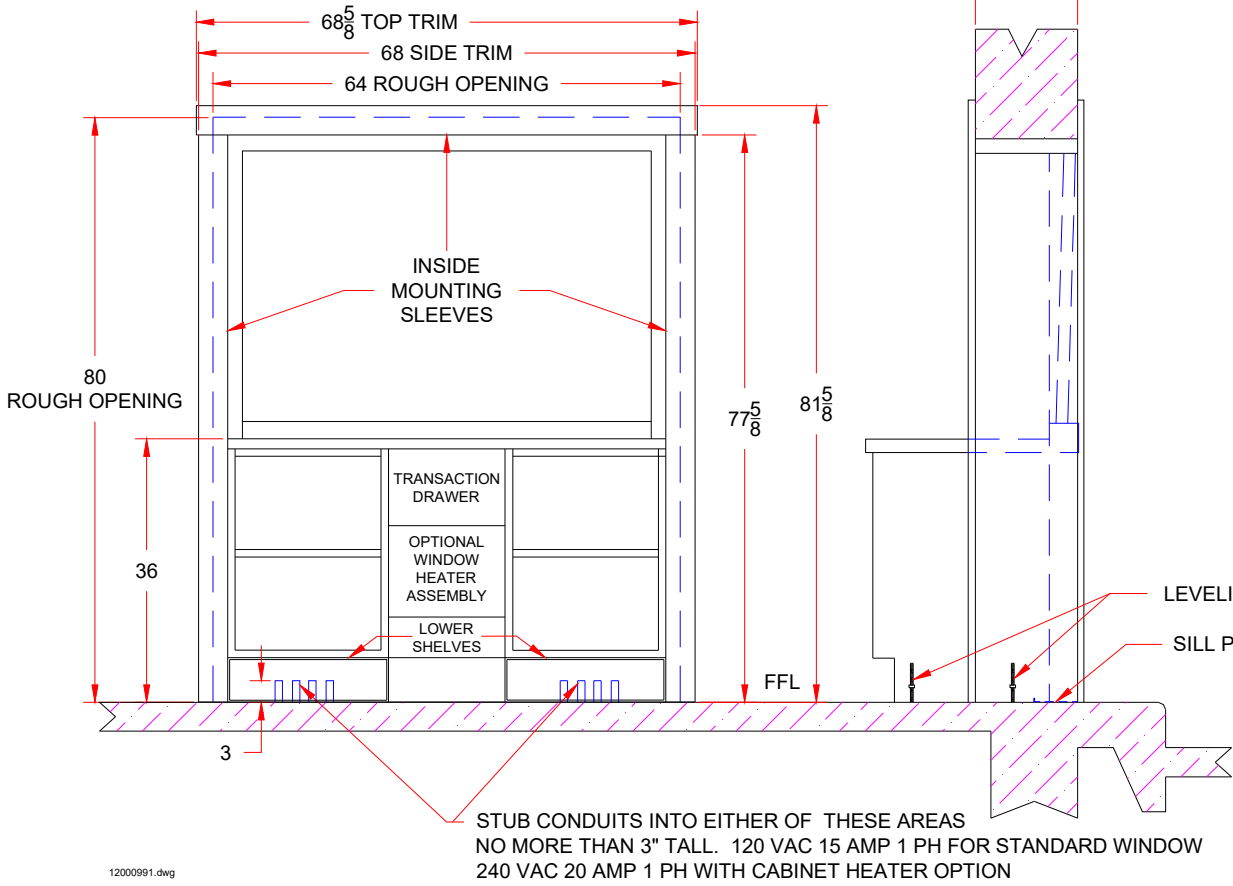
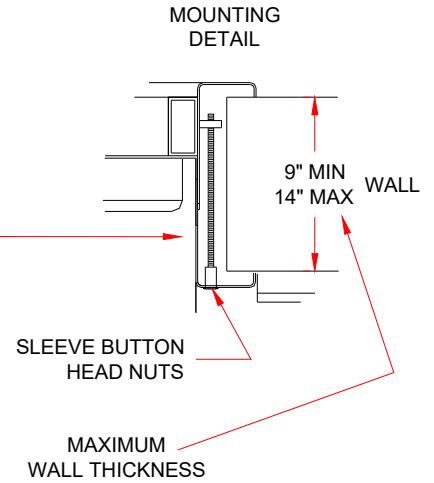
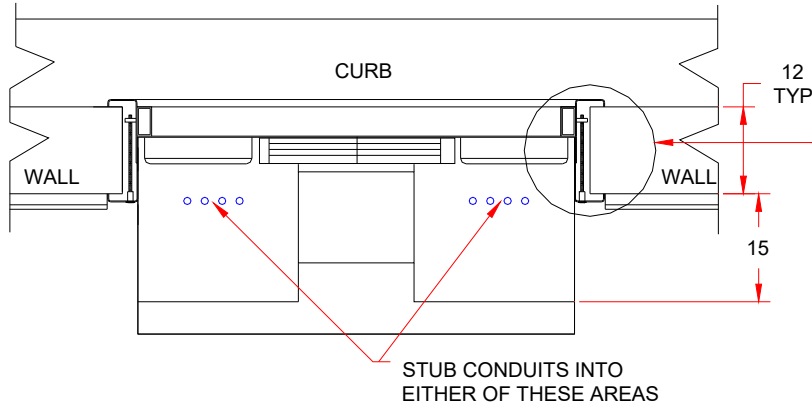
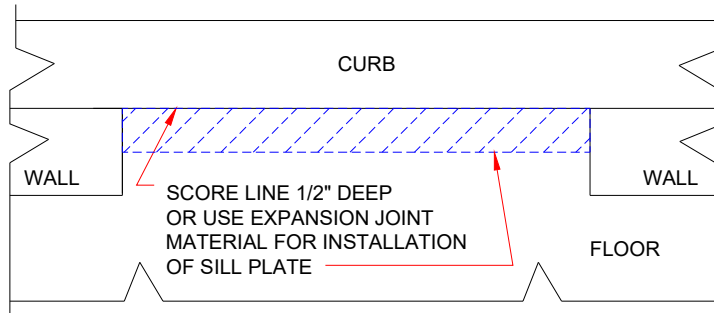
15. Unlock drawer and check operation. **Note: do not remove protective coverings from the counter top or switches until the store is ready to open.**
16. Install lower shelves.
17. Connect and check audio. There is a duplex outlet under each wire grommet in the counter top. (You may want to remove audio console and store in a safe place until the store is ready to open.)
18. Caulk the window along top and sides of the outside trim. **Do not** caulk over the condensation drain holes located on the bottom corners of the window trim or frame to sill plate joint.

Threaded Rod Length Illustration (Vertical Side Sleeves Shown)



Revised 08/08/19

All-In-One SR Typical Details



12000991.dwg

Revised 08/08/19

