

CC STABILIZER GAUGE
PN: 04233011

Figure 1

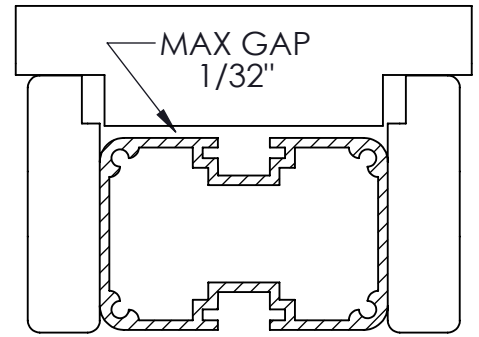


Figure 2

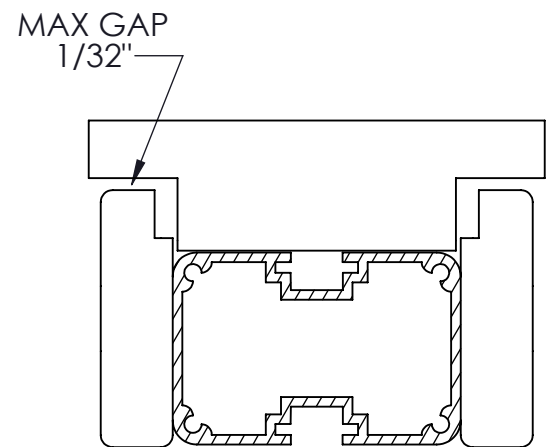


Figure 3

! Stabilizer height must be checked and adjusted (if needed) on both ends of machine prior to installing car. The car **WILL NOT** function properly unless all **FOUR** stabilizers are set to proper height. !

1) Use stabilizer gauge as shown to verify height of stabilizers. Ensure the gap shown in Figure 2 and Figure 3 Does Not Exceed 1/32". Check the stabilizers in two locations as shown in Figure 1.

2) If stabilizers need adjustment please call us: 1-800-937-3322