



201 Grandin Road  
Maineville, Ohio 45039  
(513) 677-0500

# Curved Camera Housing Manual



# Table of Contents

Bill of Materials .....	1
Installation Instructions.....	2
Camera Mounting Instructions for P/N 22199992 .....	3
Exploded Assembly Illustration for P/N 22199992 .....	4
Camera Mounting Instructions for P/N 22199992 .....	5

Revised 10/29/2020



# Bill of Materials

<b>Part Number</b>	<b>Description</b>	<b>Quantity</b>
00743011	Curved Camera Housing Manual	1
22199992	Curved Camera Housing Assembly	1
93044623	#8 x 1/4 Phillip Pan Self Tapping Screw	5

Revised 10/29/2020

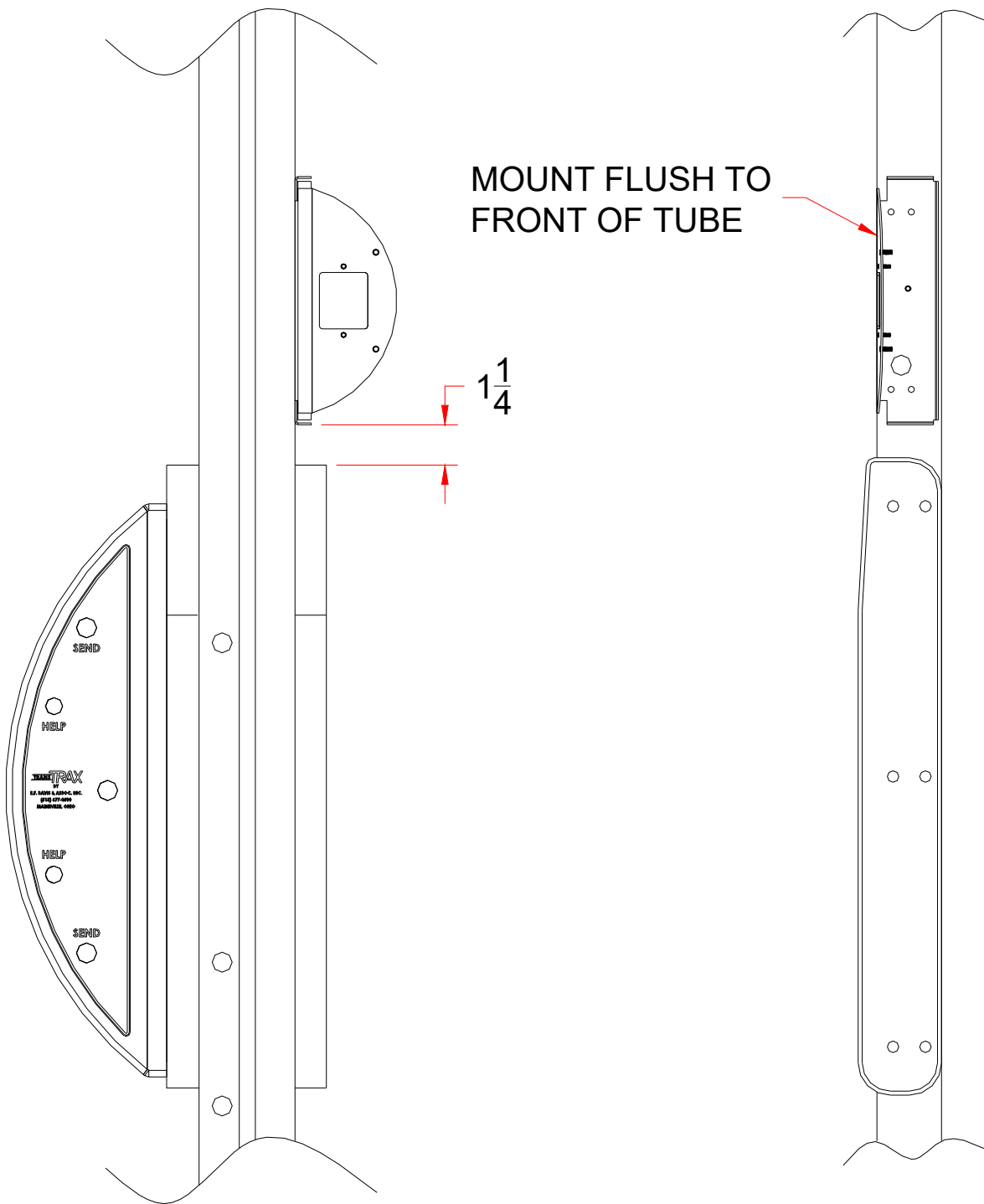
## **Installation**

### **(Refer to the Attached Diagrams)**

1. Remove the three #8 x 1/2 Torx Sheet Metal Screws that hold the ABS housing to the camera house base.
2. Hold the camera house base against the right side of the customer vertical.
3. Measure up 1 -1/4 inches from the top of the stabilizer to the bottom of the camera house base. Be sure that the camera house base is flush with the front of the vertical tube. See the diagram on page 4.
4. With a pencil, mark the location of the four mounting holes and the one access hole.
5. Drill the four mounting holes with a 9/64 drill bit. Drill the access hole with a 1/2 unibit. Be sure that the access hole is smooth and free from any sharp edges.
6. Mount the camera housing base to the vertical tube with the #8 x 1/4 phillips pan self tapping screws provided.
7. Feed your cable for the camera through the access hole.
8. Mount, focus and align the camera per the diagram provided and the camera manufactures recommendations
9. Test the camera for proper operation.
10. Mount the ABS housing the same way as you removed it in step 1.

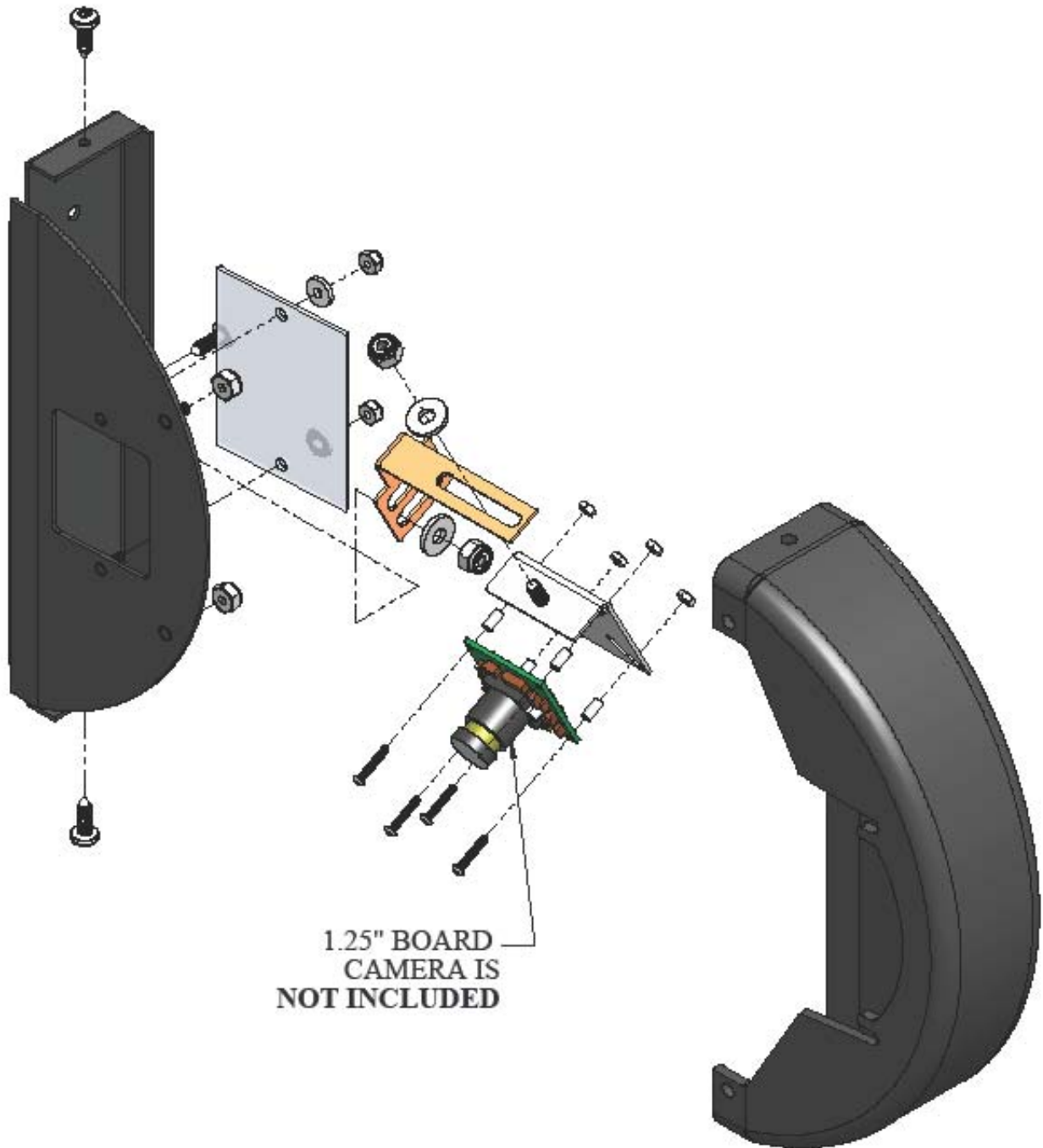
# Camera Housing Mounting Diagram

For Housing P/N 22199992, 22199993 or 22199994



Revised 10/29/2020

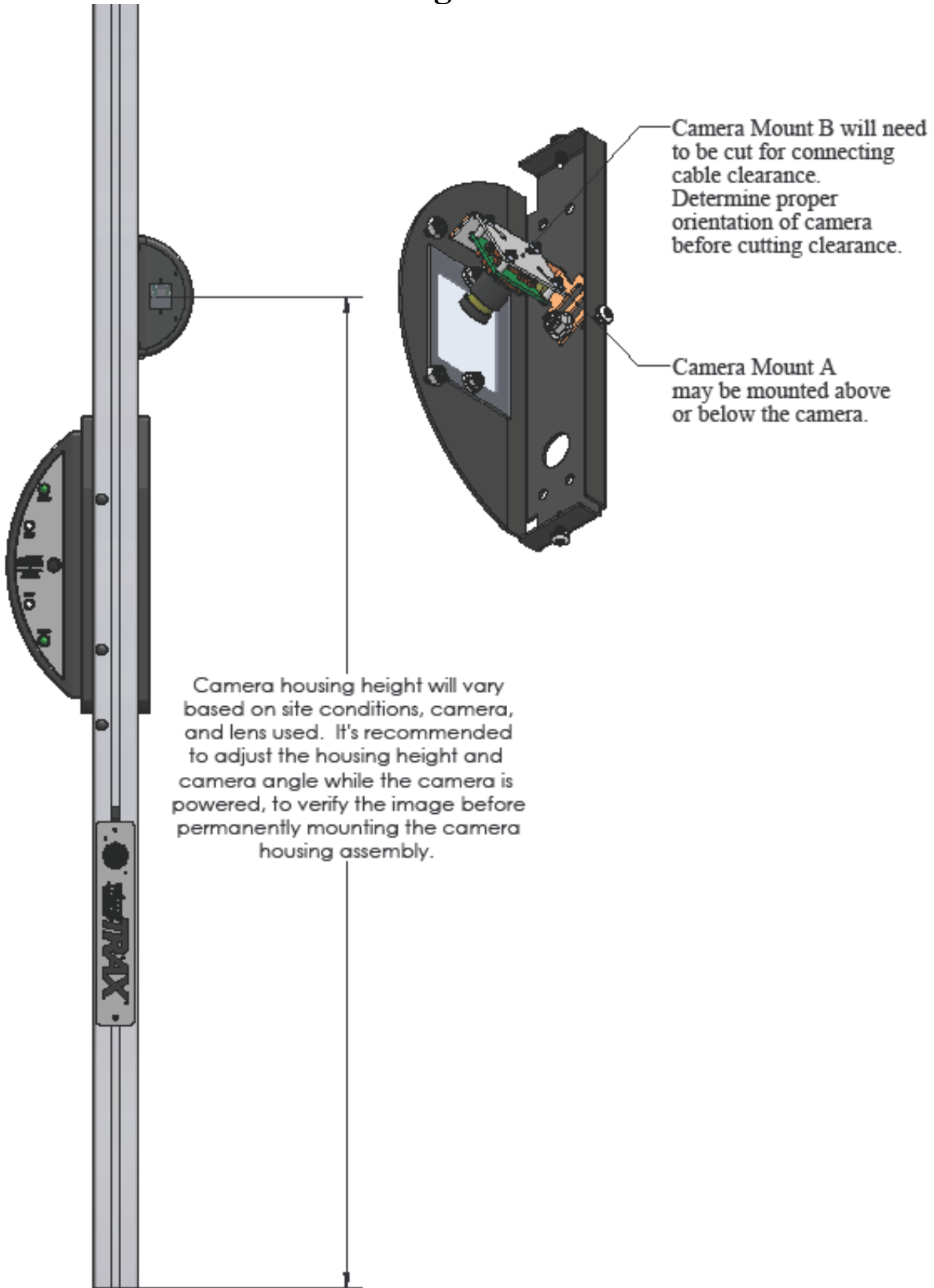
# Camera Exploded View For Housing P/N 22199992



Revised 10/29/2020



# Camera Housing Mounting Diagram For Housing P/N 22199992



**Revisions:**

<b>ECN</b>	<b>Date</b>
12727	06/22/2011
17169	02/19/2016
21554	10/29/2020

