
Flap Spring Instructions

E. F. Bavis & Associates, Inc.

201 Grandin Road
Maineville, Ohio 45039
(513) 677-0500

Bill of Materials

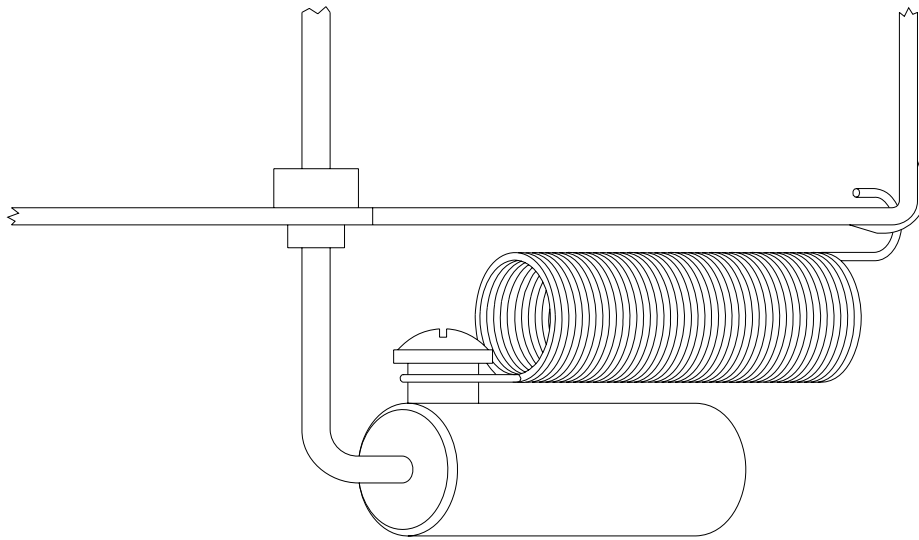
04312011	3/16 ID Flanged Bushing	2
04048021	TT Flap Spring	2
55555065	3/32 Allen Wrench	1
93082723	8-32x1/2 Phillips Truss Screw	2
00739011	Flap Spring Instruction Manual.....	1

Replacement Procedure

This kit is designed to do one complete ceiling trim

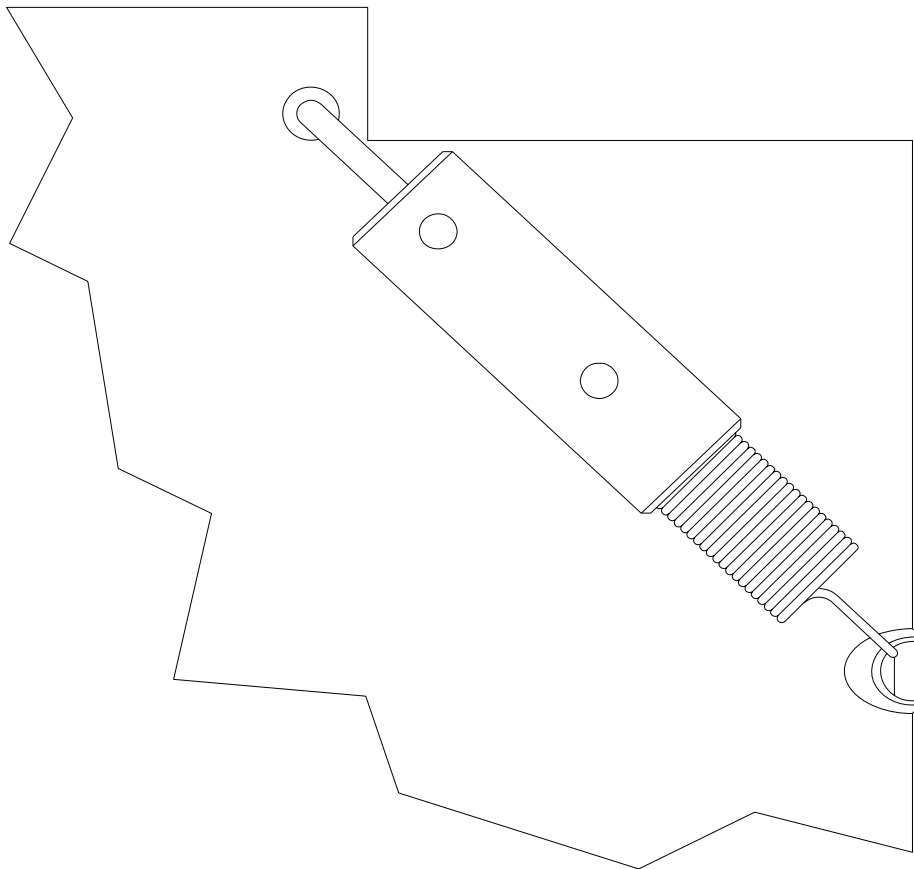
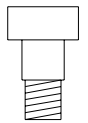
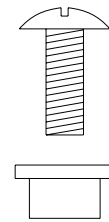
1. To replace the ceiling trim spring you can either:
 - A. Remove the ceiling trim mounting screws and drop the ceiling trim down.
 - B. Go up in the canopy to access the ceiling trim springs.
 - C. Try to reach through the ceiling trim.
2. Remove the old spring if it is still present. Discard the old spring.
3. Remove the 3/16 stripper bolt that the spring hooked to the counter weight with the 3/32 allen wrench provided. Discard the stripper bolt.
4. Mount (1) bushing and (1) 8-32x1/2 Phillip truss screw to the counter weight. Make sure that the end of the bushing with the flange against the head of the truss head screw. Put blue loctite on the screw if possible.
5. Put a couple drops of oil in the white bushing on both sides of the flap.
6. Check to make sure that all of the ceiling trim flap assembly bolts are tight.
7. Install the new spring on the ceiling trim the same way as you removed the old one.
8. Check the flap for proper operation.
9. Do the other half of the ceiling trim the same way as you did in steps 2 – 8.

TRANSTRAX CEILING TRIM SPRING MOUNTING



NEW
STYLE

OLD
STYLE



CAPTIVE CARRIER CEILING TRIM SPRING MOUNTING

