



201 Grandin Road
Maineville, Ohio 45039
(513) 677-0500

1 ON 1 Video Head Instructions

Copyright 2013 E. F. Bavis & Associates, Inc.
All Right Reserved

Revised: 08/09/2013
PN: 00734021

Table of Contents

Video Head Installation Instructions	1
Video Head Wiring Diagram.....	2
Video Head Mounting Diagram	3
Attaching CC TransTRAX Video Head Mount	4
1 On 1 Inside Connecting Cable.....	5
1 On 1 Inside Video Harness	6
1 On 1 Outside Video Harness	7

Video Head Installation Instructions

NOTE: When installing or replacing the Video Head, you need to make sure the mount you are attaching it to will work with the Video Head (**see fig.2**). If they do not match, contact the factory for assistance. These instructions assume that the mount and wiring are already installed on the equipment.

1. Remove the 5 Phillips screws from the outer casing of the video head.
There is one screw located on each side of the head and 3 located on the bottom.
2. Remove the setscrew collar from the mount using a **5/32"** Allen wrench.
3. Feed the wires through the mounting tube.
4. Feed the wires through the hole in the bottom of the Video Head face.
5. Feed the wires through the set screw collar removed in step 2 and gently secure the collar to the mount allowing the head to move on the mount.
6. Connect the wires to the lane board (**see fig. 1**) and secure with the wire tie mounted in the head.
7. Test the audio and video.
8. Once the Video Head has been tested, locate the angle position for the head giving the best line of sight into the lane.
9. Tightly secure the setscrew collar.
10. Reassemble the outer casing.

After setting the video head in the correct position, drill (2) 3/16" holes through the case bottom and use the plastic breakaway screws and keps nuts provided to hold the video head in place.

Video Head Wiring Diagram

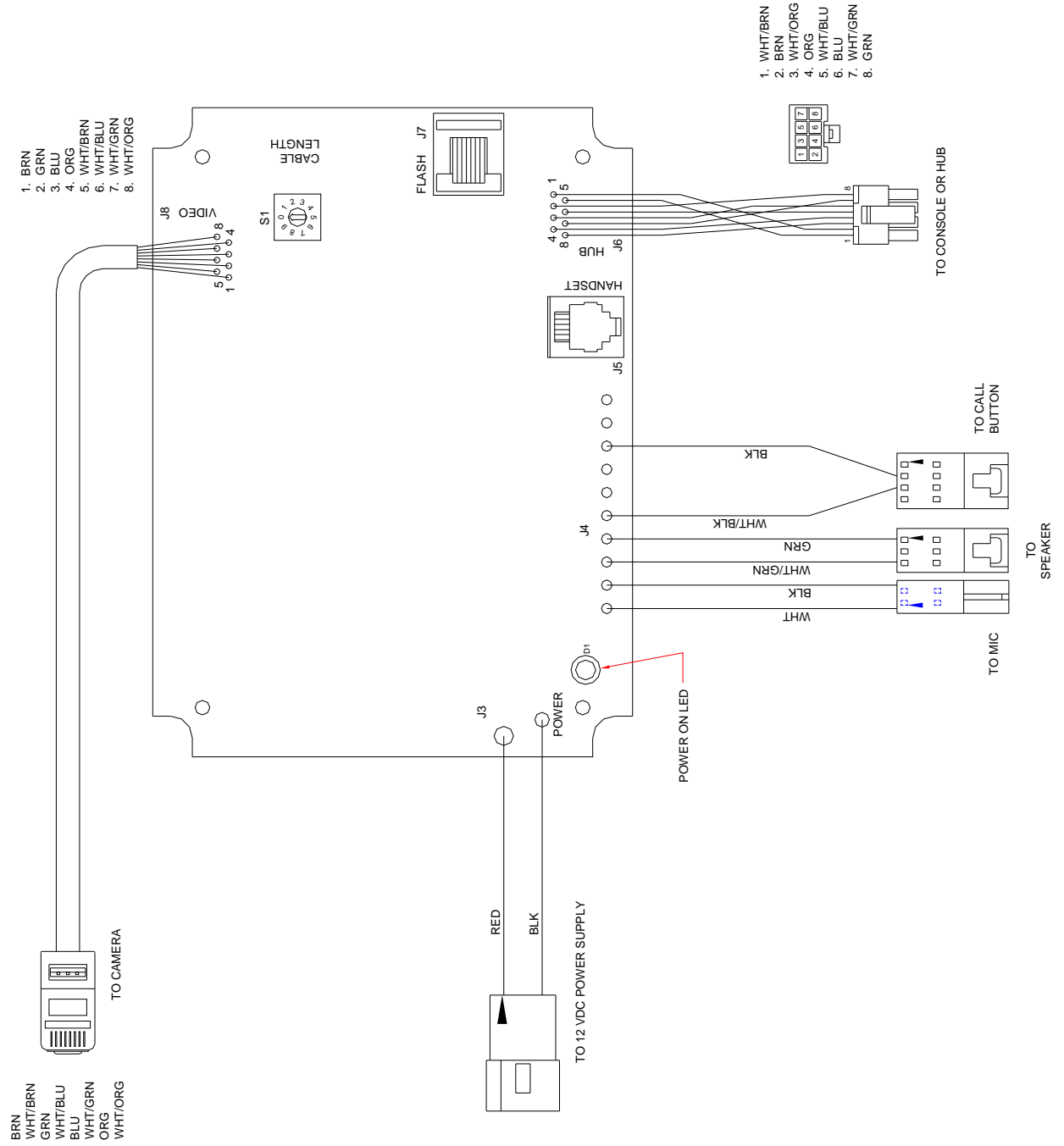


Fig.1

Video Head Mounting Diagram

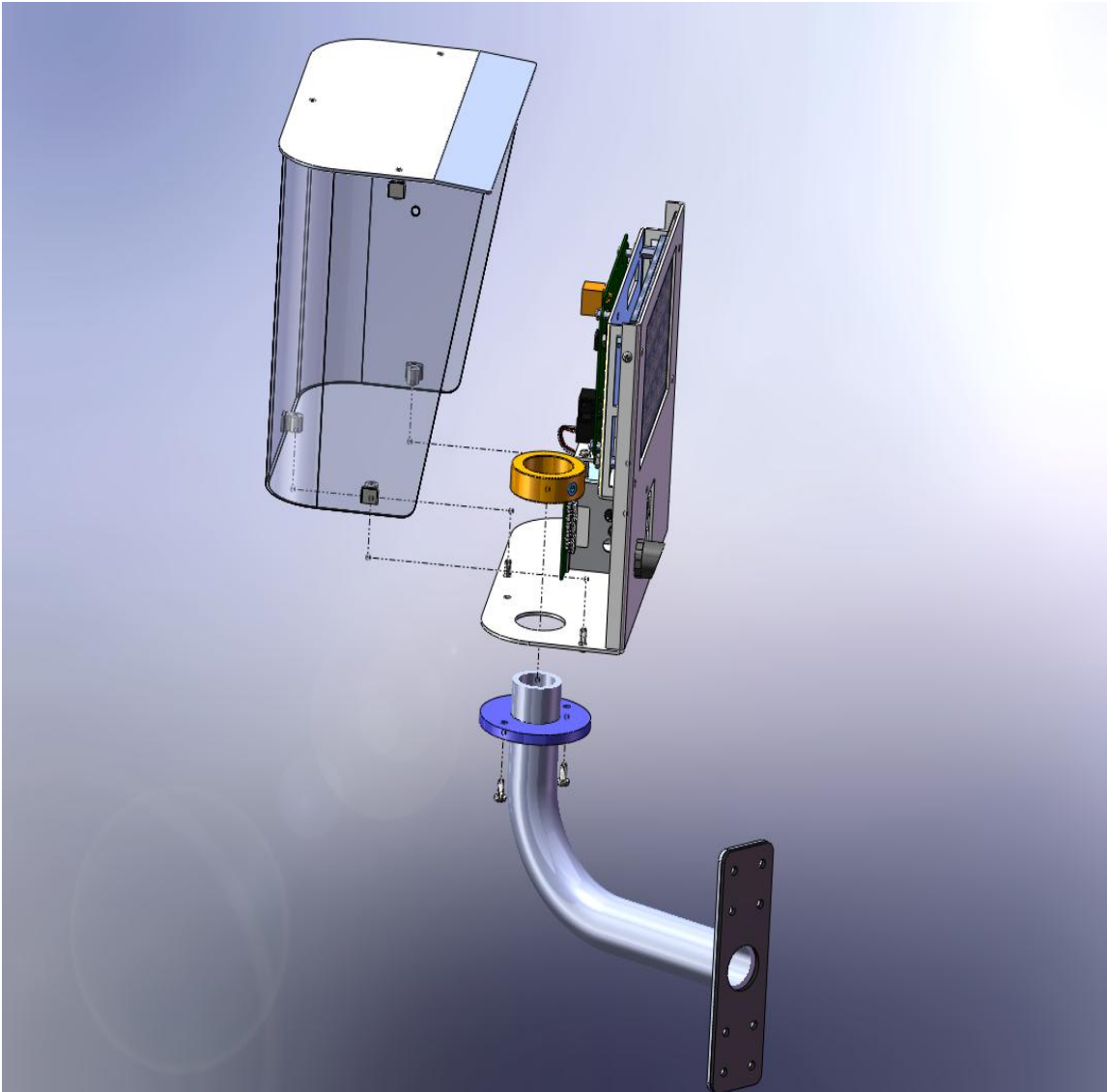
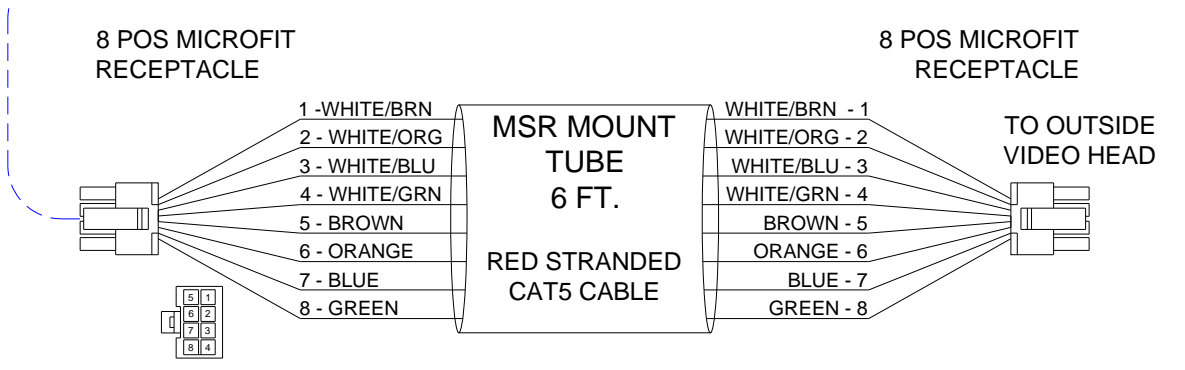
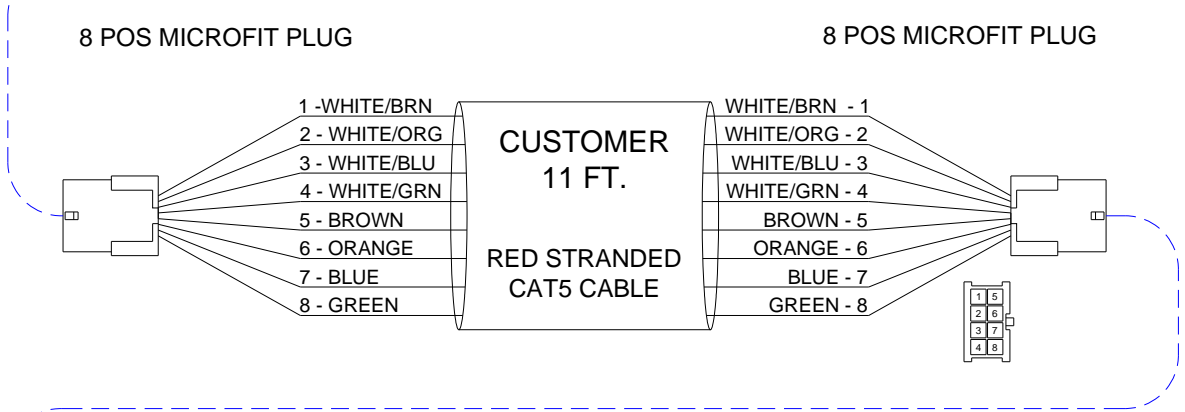
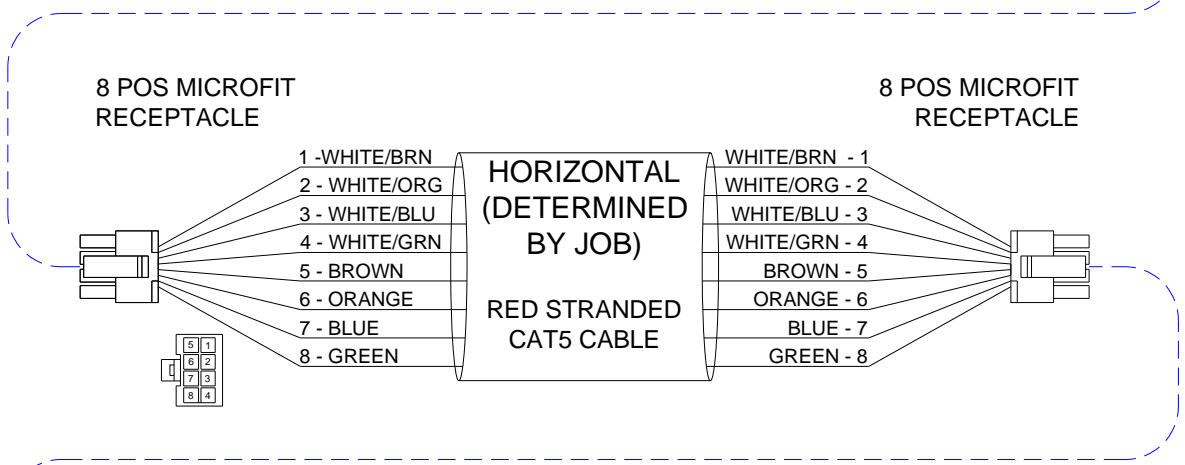
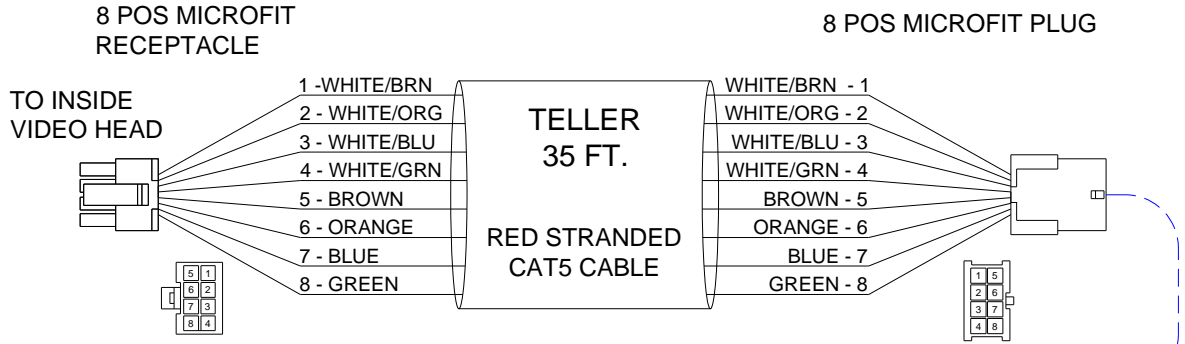


Fig.2

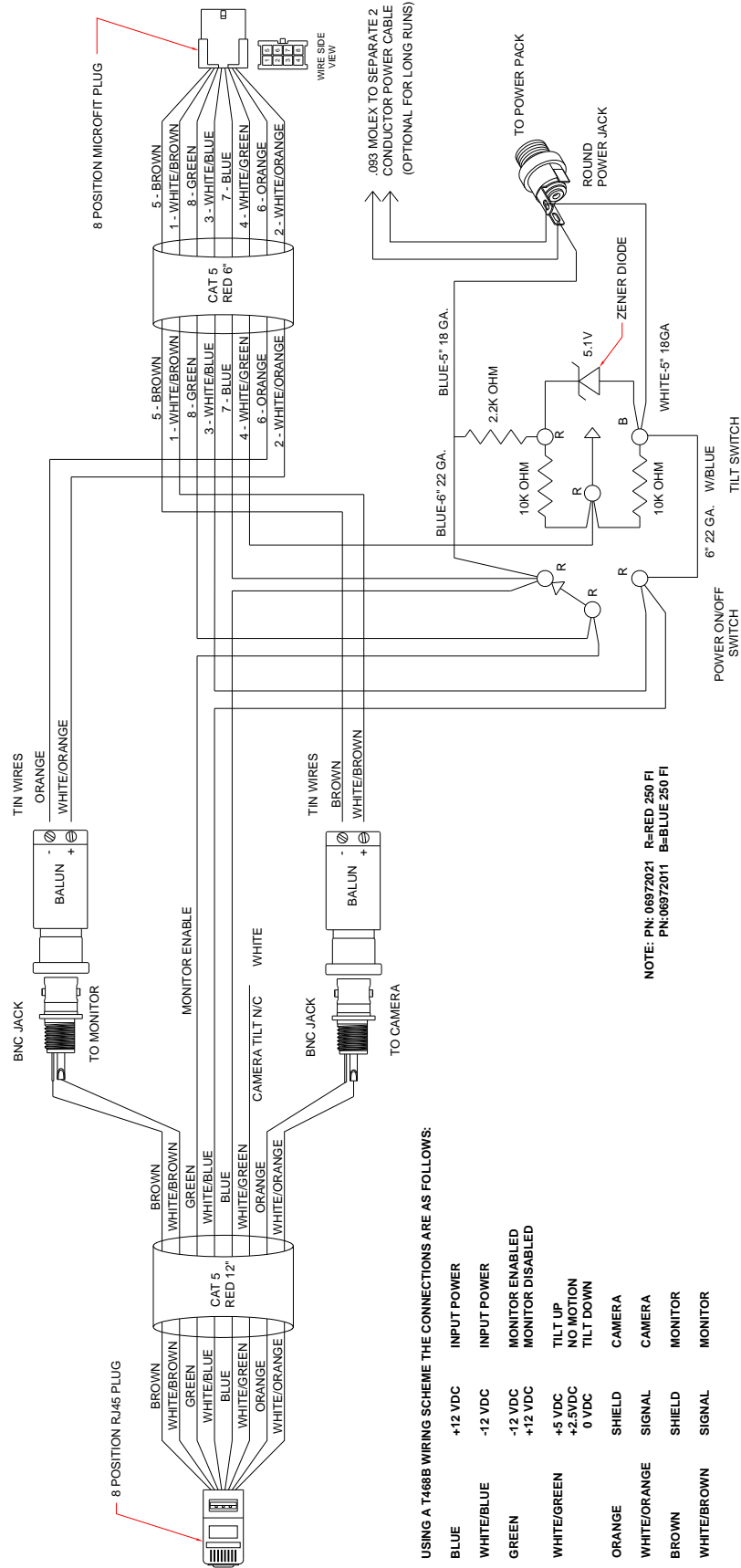
Attaching CC TransTrax Video Head Mount to Customer Tube

1. Remove the bottom two screws from the stabilizer that is opposite of the Customer control.
2. Temporarily attach the CC TT Video Mount to the stabilizer with the 10-32 x 1- 1/4" Phillips Pan head machine screws provided through the bottom holes of the mount making sure it is square and plumb.
3. Mark the other six holes of the mount onto the stabilizer, and then remove the mount.
4. Drill at each of the marks with the 3/16" bit only through the plastic stabilizer, stopping when you hit the aluminum tube.
5. With the 5/32" bit, drill through the holes in the stabilizer into the Aluminum tube being careful not to penetrate the tube too far and damage the internal wiring.
6. Thread each of the new holes with the 10-32 tap.
7. Using the gasket provided as a template, mark the center of the tube hole of the gasket and drill a 3/4" - 7/8" hole through the stabilizer and aluminum tube. **[NOTE:** If you are adding a Video Head to a line that has an AA Lane Board in the customer control, you will need to drill a matching hole under the customer control cover to feed the Retrofit Harness (P.N. 04287051) through to the CC TT Video Head Mount, and then remove the Lane Bard. Again, be careful not to damage the internal wiring.]
8. Attach gasket to CC TT Video Mount base.
9. Feed Cat5 Cable, Call Button Harness, Speaker Harness, and Power Cable from CC TransTrax through Mount Tube.
10. Attach CC TT Video Mount to stabilizer.
11. Install Video Head per its instructions.

1 ON 1 VIDEO CONNECTING CABLE



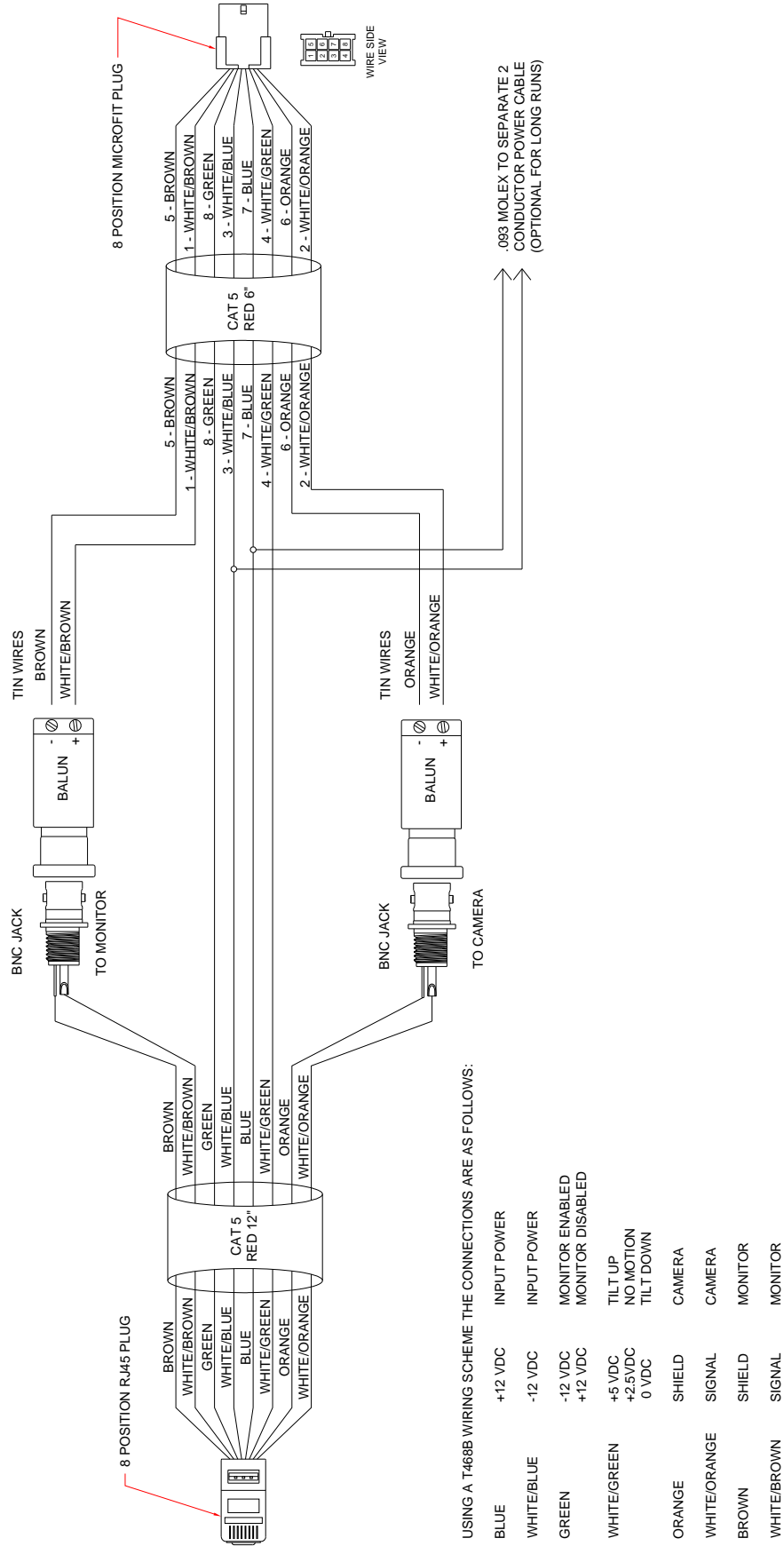
1 On 1 INSIDE VIDEO HARNESS



USING A T488B WIRING SCHEME THE CONNECTIONS ARE AS FOLLOWS:

BLUE	+12 VDC	INPUT POWER
WHITE/BLUE	-12 VDC	INPUT POWER
GREEN	-12 VDC	MONITOR ENABLED
	+12 VDC	MONITOR DISABLED
WHITE/GREEN	+5 VDC	TILT UP
	+2.5VDC	NO MOTION
	0 VDC	TILT DOWN
ORANGE	SHIELD	CAMERA
WHITE/ORANGE	SIGNAL	CAMERA
BROWN	SHIELD	MONITOR
WHITE/BROWN	SIGNAL	MONITOR

1 On 1 OUTSIDE VIDEO HARNESS



USING A T468B WIRING SCHEME THE CONNECTIONS ARE AS FOLLOWS:

BLUE	+12 VDC	INPUT POWER
WHITE/BLUE	-12 VDC	INPUT POWER
GREEN	-12 VDC	MONITOR ENABLED
	+12 VDC	MONITOR DISABLED
WHITE/GREEN	+5 VDC	TILT UP
	+2.5VDC	NO.MOTION
	0 VDC	TILT DOWN
ORANGE	SHIELD	CAMERA
WHITE/ORANGE	SIGNAL	CAMERA
BROWN	SHIELD	MONITOR
WHITE/BROWN	SIGNAL	MONITOR

