
Card Reader Cord Kit Installation Manual

E. F. Bavis & Associates, Inc.

**201 Grandin Road
Maineville, Ohio 45039
(513) 677-0500**

Card Reader Cord Kit

Table of Contents

Installation Instructions.....	1
Figure 1.....	2
Figure 2.....	3
Figure 3.....	4
Parts List.....	5

Installation Instructions

1. Run the drawer to the inside position, remove the five back panel screws, and remove the back panel (Figure 1).
2. Remove two 1/4-20 nylon lock nuts to remove the red drawer bin.
3. Slide the red drawer bin and attached parts out the front of the drawer shell.
4. Mark the locations for the 3/16" (0.188") and 1 3/8" (1.375") diameter holes in the lower corner of the back panel and the upper corner of the red drawer bin (Figure 2).
5. Using a 3/16" (0.188") drill bit, drill the finished hole in the side of the red drawer bin, for the lanyard attachment.
6. To get the two 1 3/8" (1.375") diameter holes in the rear of the red drawer bin and back panel, use a 1 3/8" hole punch in both the red drawer bin and the back panel as shown.
7. Remove metal chips and debris, from red drawer bin, back panel, and drawer shell.
8. Install one end of the lanyard to the side of the red drawer bin 0.188" diameter hole with the hardware provided.
9. Reinstall the red drawer bin, and hardware (Figure 1).
10. Remove the snap cable carrier zipper, from the cable carrier (Figure 2).
11. Install the credit card reader cord into the cable carrier.
NOTE: May have to remove last link of cable carrier to install reader cord. Make sure that there is sufficient slack at each end of the cable. Cable length varies between stores.
12. Reinstall cable zipper into cable carrier.
13. Remove the nut from the 1/4-20 stud located on the inside left of the drawer shell bottom (Figure 1).
14. Mount the cable carrier and harness to the drawer shell by putting the small bracket onto the 1/4-20 stud, and reinstalling the nut discussed in work step 13.
15. Mount the large bracket to the back of the red drawer bin on top of existing nuts, using the two lock nuts.
16. Feed the cable through the hole in the red drawer bin, and install one of the modified 1 3/8" hole plugs with the split around the cable.
17. Feed the other end of the cable through the hole in the back panel and install other modified 1 3/8" hole plug by sliding cable through split.
18. Using the wire ties provided, tie off the cable at the red drawer bin end to avoid it getting caught on the internal components as the drawer moves in and out (Figure 3).
19. Run drawer to make sure that cable is free from moving parts (Figure 1).
20. Reinstall the back panel.
21. Install the other end of the lanyard to the credit card reader with the connecting bracket (Figure 2).
NOTE: Each reader is different, so each installation will be modified according to space available (hardware not included).
22. Connect credit card reader cord to reader.

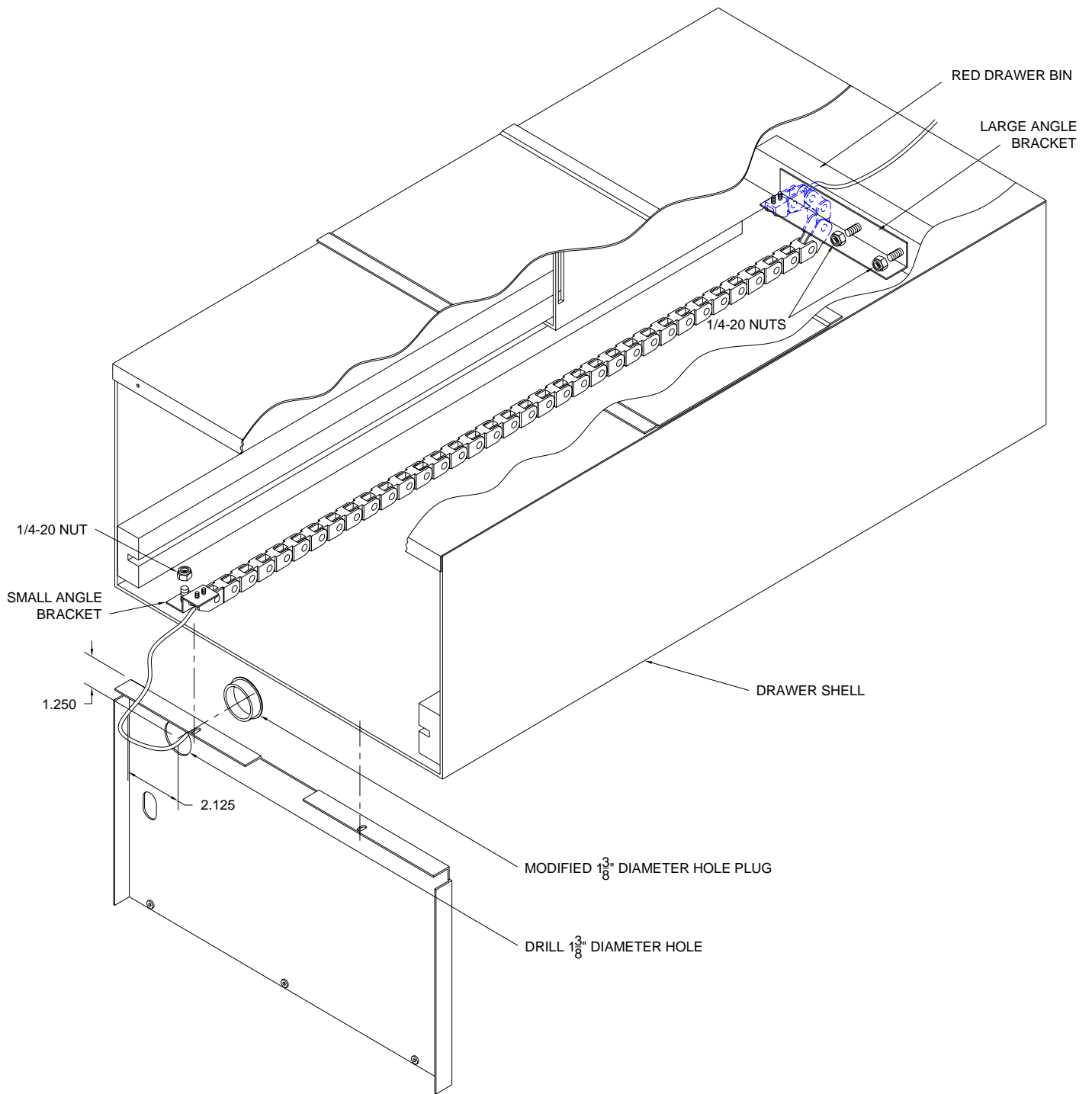


FIGURE 1

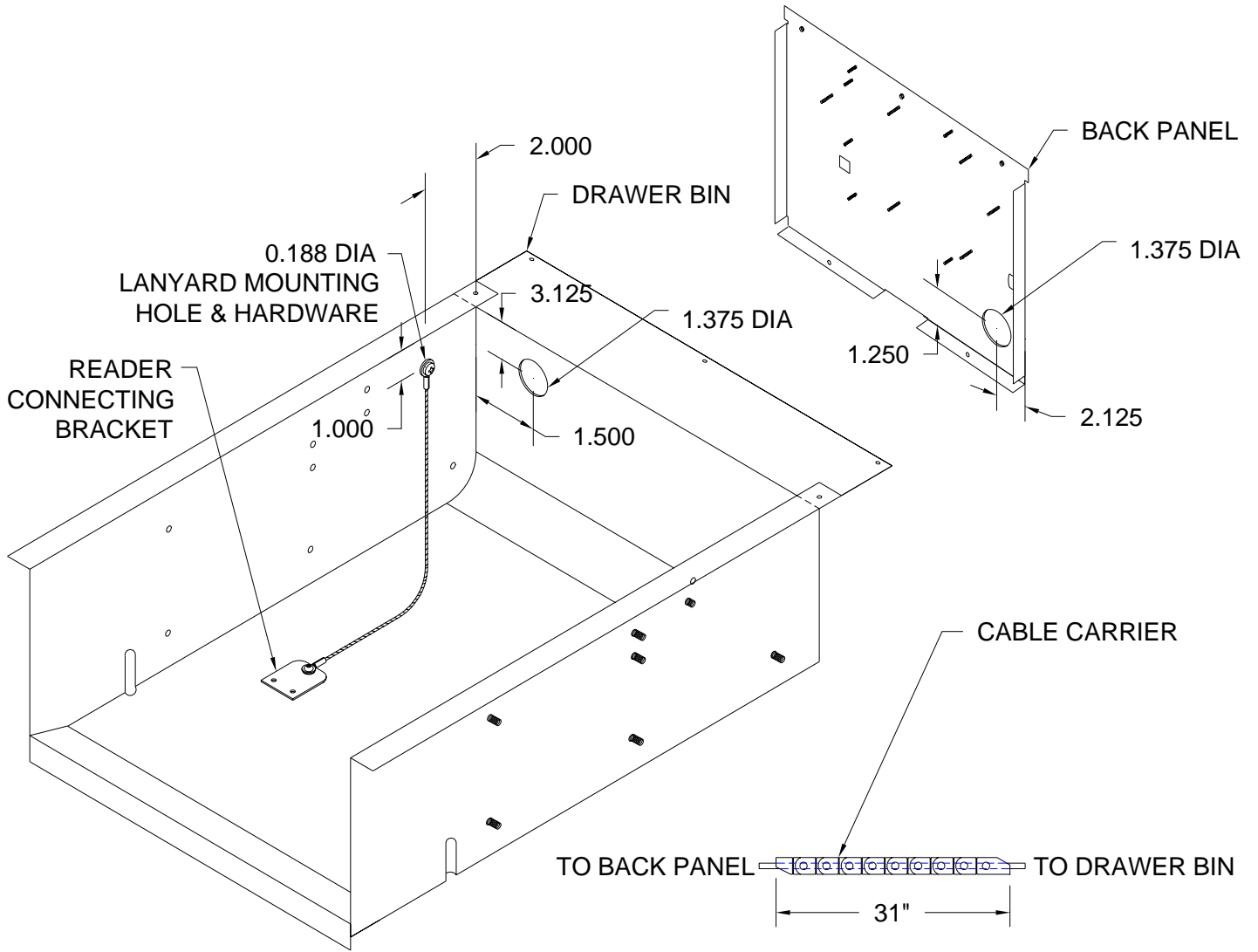


FIGURE 2

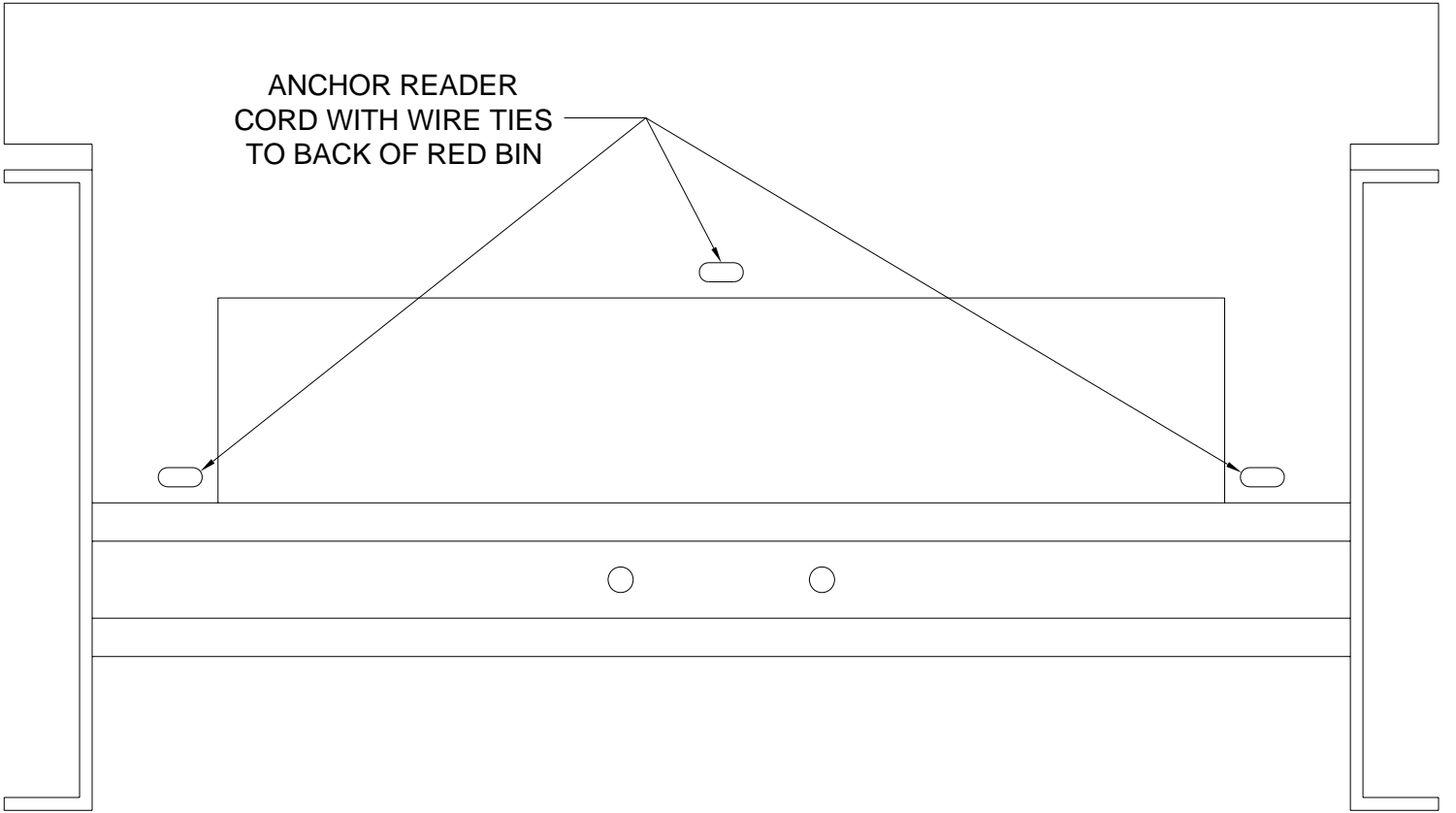


FIGURE 3

<u>TOOLS REQUIRED</u>	<u>QTY.</u>
Drill	1
7/16 Wrench	1
Screw Driver	1
3/16 Drill Bit	1
1 3/8 Punch	1
Side Cutters	1

<u>PARTS PROVIDED</u>	<u>QTY.</u>
Drawer Bracket	1
1 3/8" Modified Hole Plugs	2
1/4-20 Center Lock Nuts	2
Bin Bracket	1
4-40 Nylon Locking Nuts	2
Cable Carrier	1
1/4-20 Kep Nut	1
Medium Wire Ties	5
Lanyard	1
#10-32 Nylock Nut	1
#10 Washer	2
#10-32 x 1/2 Button Head Screw	1