
TT/CC NA Enclosure Kit

Installation and Service Manual

E. F. Bavis & Associates, Inc.

201 Grandin Road
Maineville, Ohio 45039
(513) 677-0500

Table of Contents

Installation Instructions..... 1

Figure 1 2

Parts list..... 3

This kit was designed to provide a weatherproof enclosure, for the outside audio board, on lanes that have corrosion problems due to excessive moisture inside the customer tube.

Installation Instructions

1. Power down the unit
2. Remove the speaker panel on the customer end unit.
3. Unplug the microphone, call button, and the CAT 5 cables from the old audio board.
4. Cut the RJ45 connector off of the CAT 5 Audio cable.
5. Using the Microfit pigtail and small pigtail connectors supplied with this kit, connect the wires of the pigtail color to color with the wires of the CAT 5 audio cable.
6. Connect the call button, microphone, and new CAT 5 audio pigtail to the audio board located inside the weatherproof enclosure on the new speaker panel assembly, adjust the audio to the same as the old board, then assemble the enclosure. See Fig 1.
7. Stuff a wad of insulation into the tube above the panel opening.
8. Insert the tube plug into the top tape slot of the customer tube to install the new speaker panel assembly, making sure not to pinch any wires. **Note:** The existing cutout in the tube may need to be enlarged to allow sufficient room for the new enclosure box.
9. Push the speaker panel all the way up until it stops then back down 1/16" to 1/8".
10. Center the hole in the bottom of the speaker panel in the tape slot and mark for drilling using the 1/8" drill bit provided.
11. Using (1) #8 x 3/4" Phillips screw (removed in step 2), secure the bottom of the speaker panel.
12. Power up the unit to test the audio and call button functions.

If you need further assistance, contact the factory at 1-800- 937-3322.

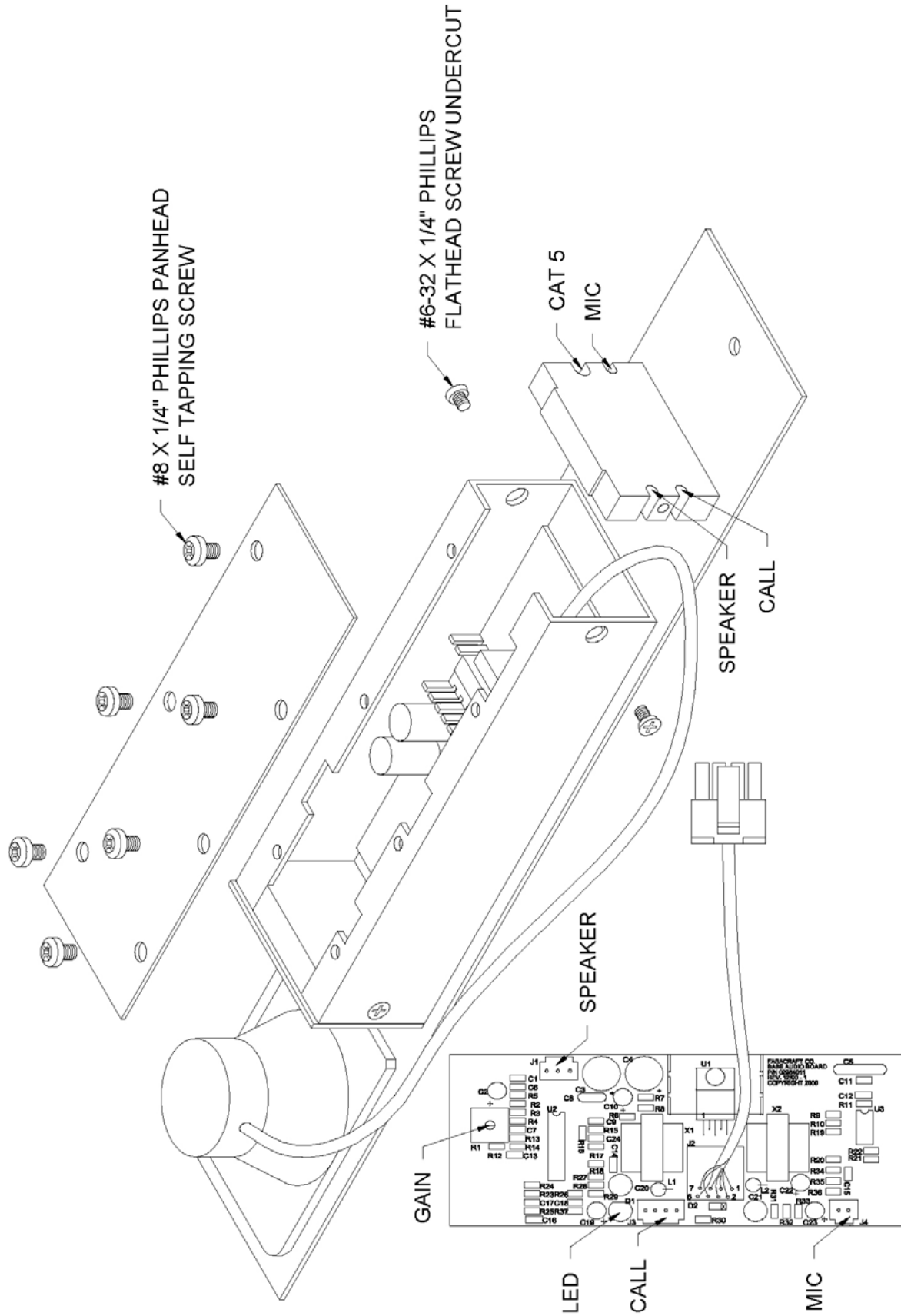


Fig. 1

Parts list

<u>Qty.</u>	<u>Description</u>	<u>Part Number</u>
1	1/8" Short Drill Bit	01081011 _____
1	TT Speaker Panel Assembly	04026991 _____
10	Small Pigtail Connectors	06975047 _____
1	Insulation Wad	12006101 _____
1	Audio Board Enclosure Lid	22028011 _____
1	Audio Board Enclosure Bottom	22029011 _____
1	Microfit Pigtail	22053011 _____
2	#6-32 X 1/4" Philips Flathead	92042123 _____
6	#8 X 1/4" Philips Panhead Self Tapping	93044621 _____