



---

201 Grandin Road  
Maineville, Ohio 45039  
(513) 677-0500

**Medium Electric Transaction  
Drawer™ Manual Operation Kit**

**Installation and Operation Manual**



## Table of Contents

Parts Included.....	1
Installation Tool List.....	1
Overview.....	1
Installation.....	1
How to Use .....	3



# Medium Electric Transaction Drawer™

## Manual Operation Kit Installation Instructions

### Parts Included

Manual Operation Switch Assembly
Manual Operation Rod w/Knob
Manual Rod Block
Manual Rod Block Spacer
(2) ¼-20 x 1 ¼ Bolts & Lock Washers
(2) 4-40 Nuts

### Installation Tool List

7/16" Wrench
#2 Philips Screwdriver
¼" Nut Driver

The manual operation kit for the *Medium Electric Transaction Drawer™* is intended to allow operation of the drawer in the event of a power outage or failure of the drive system on the drawer. This kit consists of a switch assembly, which deactivates the dynamic brake system on the motor when the manual rod is inserted into the drawer, a manual operation rod with knob, and a manual rod receiving block, which attaches to the drawer of the *Transaction Drawer™*. The drawer is operated by pushing and pulling on the rod, which opens and closes the drawer.

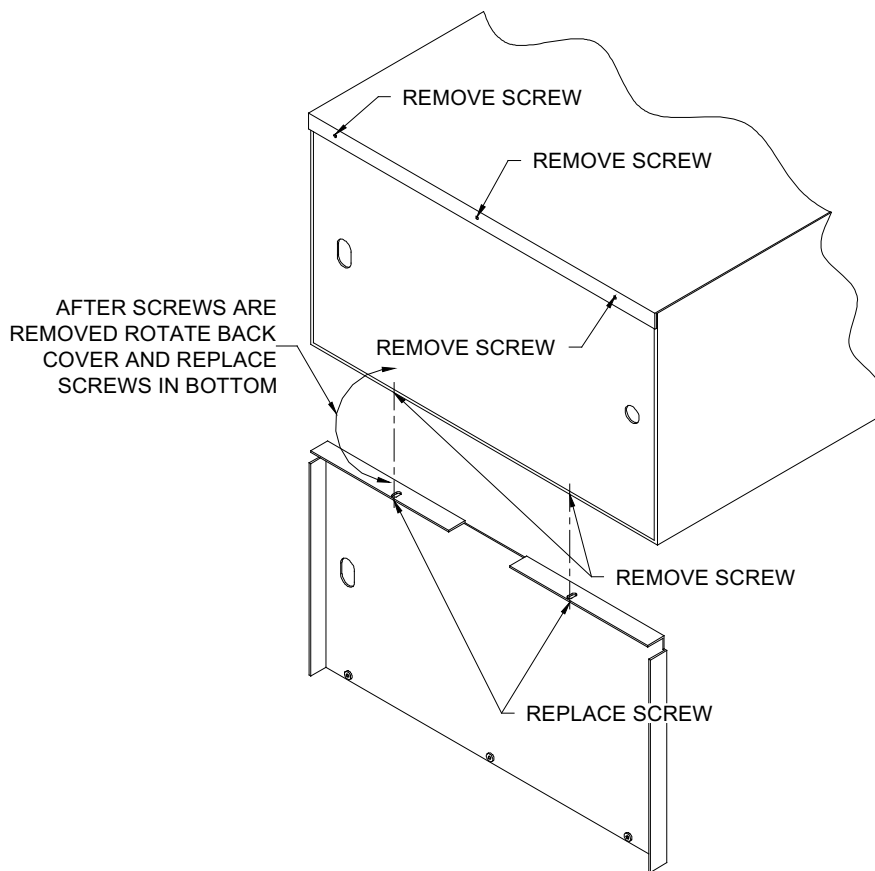
### Installation

***Warning - Risk of electrical shock - Disconnect power before servicing.***

To install this kit requires removal of the back panel of the drawer.

Access to the inside of the drawer is through the back (Fig. 1). There are three screws on the face and two on the bottom that hold the back panel in place. After removing the screws, tilt the bottom of the back panel out, then drop it down to clear the lip of the top panel. The panel can then be rotated 180° and secured with two of the screws to the bottom of the drawer. This position will aid in the installation and connection of the switch assembly. Reverse this procedure to reinstall the back panel.

**Figure 1**



Install the switch assembly by placing the holes in the bracket over the studs provided on the right side of the back panel, (Fig. 2). Secure with the 4-40 nuts provided.

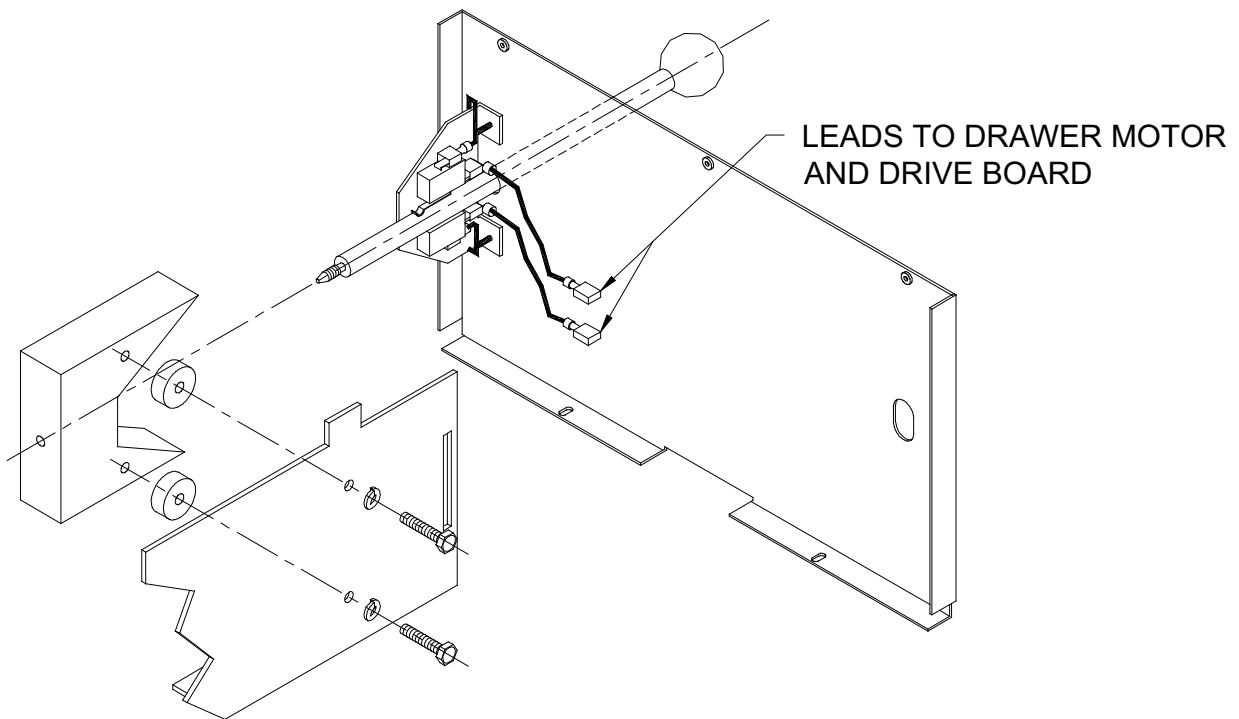
Disconnect the red wire of the motor, which connects to the red wire coming out of the watertight enclosure.

Connect one red wire of the switch to the red wire of the motor and the other red wire of the switch to the red wire coming out of the watertight enclosure.

Slide the manual rod receiving block between the right side slide angle and the shell of the drawer. Line up the clearance holes in the side slide angle and spacer with the drilled and tapped holes in the receiving block. Secure with the 1/4-20 bolts and lock washers provided.

Reinstall the back panel with wires routed away from moving drawer slide.

**Figure 2**



**To use the manual rod:**

Remove the 5/8" Hole Plug from the right side of the back panel. Slide the manual rod into the hole until it contacts the receiver block. Tighten the rod clockwise until it seats. Push and pull on the rod to operate the drawer.

***Note: TD motor will not run while manual rod is inserted.***

Remove the rod and install the 5/8" hole plug back into the hole.