

---

# **Window Installation Manual**

**32" AW Mini, 60" AW Junior, 64" AW Junior, 3', 5', 8', 10', and 12'  
Self Trimming Windows**

---

**E. F. Bavis & Associates, Inc.**

---

201 Grandin Road  
Maineville, Ohio 45039  
(513) 677-0500



# Installation for 32" AW Mini, 60" AW Junior, 64" AW Junior, 3', 5', 8', 10', and 12' Self Trimming Windows

## Window Installation Accessories

Part #	Description
00653011	Window Installation Manual
06973011	5/8 Hole Plugs
93162623	#8 x 1" Phil SM Screws
93402622	#8 x 2-1/2" Phil Pan SM
95284318	1/4 x 1-3/4" Hex Slotted Tapcon
12011040	Polyurethane Construction Sealant
12011051	Installation Straps
12011061	Wood Shims

## Window Installation Procedure

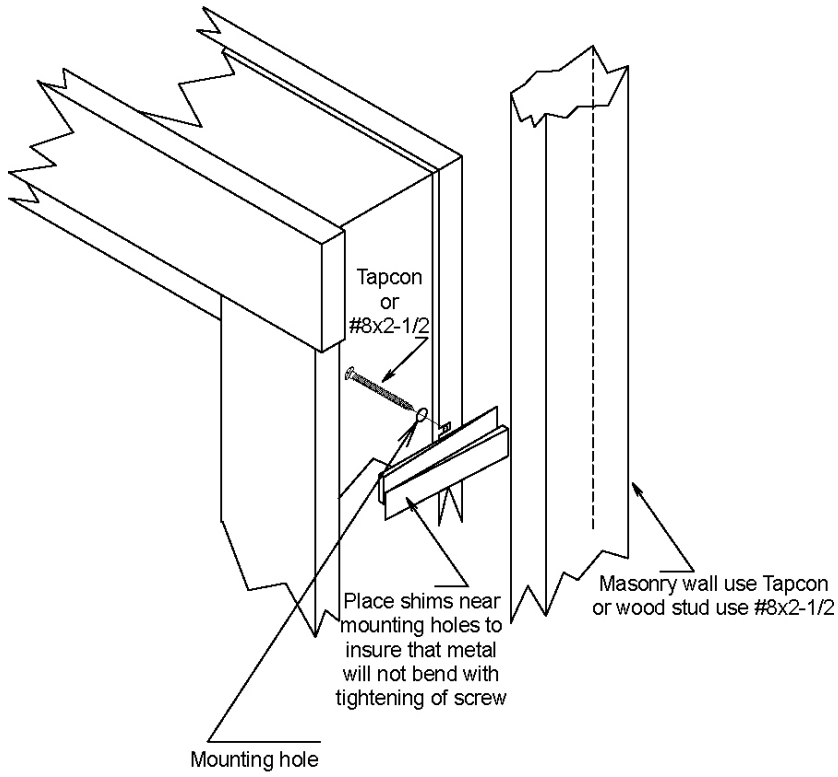
1. Inspect the window for any damage that may have occurred during shipping.
2. Check the dimensions of the masonry opening (refer to table below).
3. Caulk two even beads on the bottom of the masonry opening. Extend the beads 3" up both sides.
4. Slide the window into place.
5. Insure that the window is flush to the outside wall, and is level. **NOTE: Grinding or chipping at the texture brick may help the window to fit more flush.**
6. Place the shims behind the mounting holes on the side and top and anchor the window with the hardware provided. If you cannot anchor the window through the mounting holes, then the installation straps will need to be used (see figure 1).
7. Place the 5/8 hole plugs into the mounting holes.
8. Caulk the window on the outside. **Do not** caulk over the condensation drain holes located on the bottom corners of the window (see figure 2).

## Window Dimensions Checklist

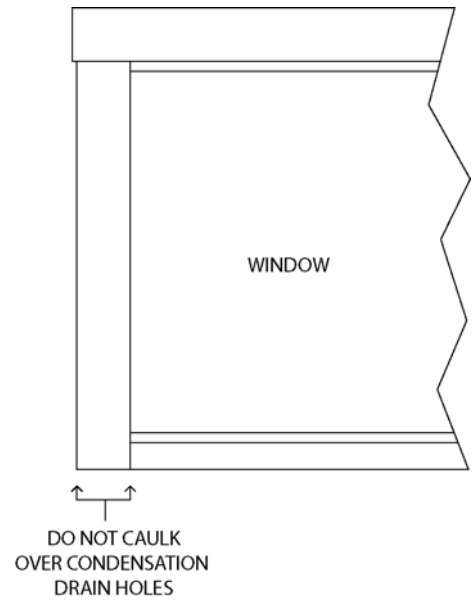
Window	Width	Height	Masonry Opening Width	Masonry Opening Height
32" AW Mini	38 <sup>1</sup> / <sub>4</sub> "	50 <sup>3</sup> / <sub>4</sub> "	32 <sup>1</sup> / <sub>2</sub> "min. 33 <sup>1</sup> / <sub>2</sub> "max.	48 <sup>1</sup> / <sub>4</sub> "min. 49 <sup>1</sup> / <sub>4</sub> "max.
60" AW Junior	62 <sup>1</sup> / <sub>4</sub> "	50 <sup>3</sup> / <sub>4</sub> "	56 <sup>1</sup> / <sub>2</sub> "min. 57 <sup>1</sup> / <sub>2</sub> "max.	48 <sup>1</sup> / <sub>4</sub> "min. 49 <sup>1</sup> / <sub>4</sub> "max.
64" AW Junior	66"	65 <sup>3</sup> / <sub>4</sub> "	60" min. 61" max.	63 <sup>1</sup> / <sub>4</sub> "min. 64 <sup>1</sup> / <sub>4</sub> "max.
3'	38 <sup>1</sup> / <sub>8</sub> "	34 <sup>1</sup> / <sub>2</sub> "	32 <sup>1</sup> / <sub>2</sub> "min. 33 <sup>1</sup> / <sub>2</sub> "max.	32"min. 33"max.
5'	62 <sup>1</sup> / <sub>8</sub> "	34 <sup>1</sup> / <sub>2</sub> "	56 <sup>1</sup> / <sub>2</sub> "min. 57 <sup>1</sup> / <sub>2</sub> "max.	32"min. 33"max.
8'	94 <sup>3</sup> / <sub>8</sub> "	35 <sup>1</sup> / <sub>2</sub> "	88 <sup>7</sup> / <sub>8</sub> "min. 89 <sup>7</sup> / <sub>8</sub> "max.	33"min. 34"max.
10'	117 <sup>1</sup> / <sub>2</sub> "	34 <sup>1</sup> / <sub>2</sub> "	112"min. 113"max.	32"min. 33"max.
12'	144 <sup>1</sup> / <sub>8</sub> "	35 <sup>1</sup> / <sub>2</sub> "	138 <sup>1</sup> / <sub>2</sub> "min. 139 <sup>1</sup> / <sub>2</sub> "max.	33 <sup>1</sup> / <sub>4</sub> "min. 34 <sup>1</sup> / <sub>4</sub> "max.

**Figure 1**

**SHIM INSTALLATION**



**Figure 2**



**STRAP INSTALLATION**

