

---

# Lane Light Manual

---

**E. F. Bavis & Associates, Inc.**

---

201 Grandin Road  
Maineville, Ohio 45039  
(513) 677-0500



## Table of Contents

Installation Instructions.....	1
Mounting Diagram.....	2
120 VAC Switch Options .....	3
24 VAC Switch Options .....	4
120 VAC ATM Unit Diagram .....	5
120 VAC Open/Closed Unit Diagram .....	6
24 VAC Open/Closed Unit Diagram .....	7
24 VAC ATM Unit Diagram .....	8
20 – 25 VDC Connection Diagram.....	9



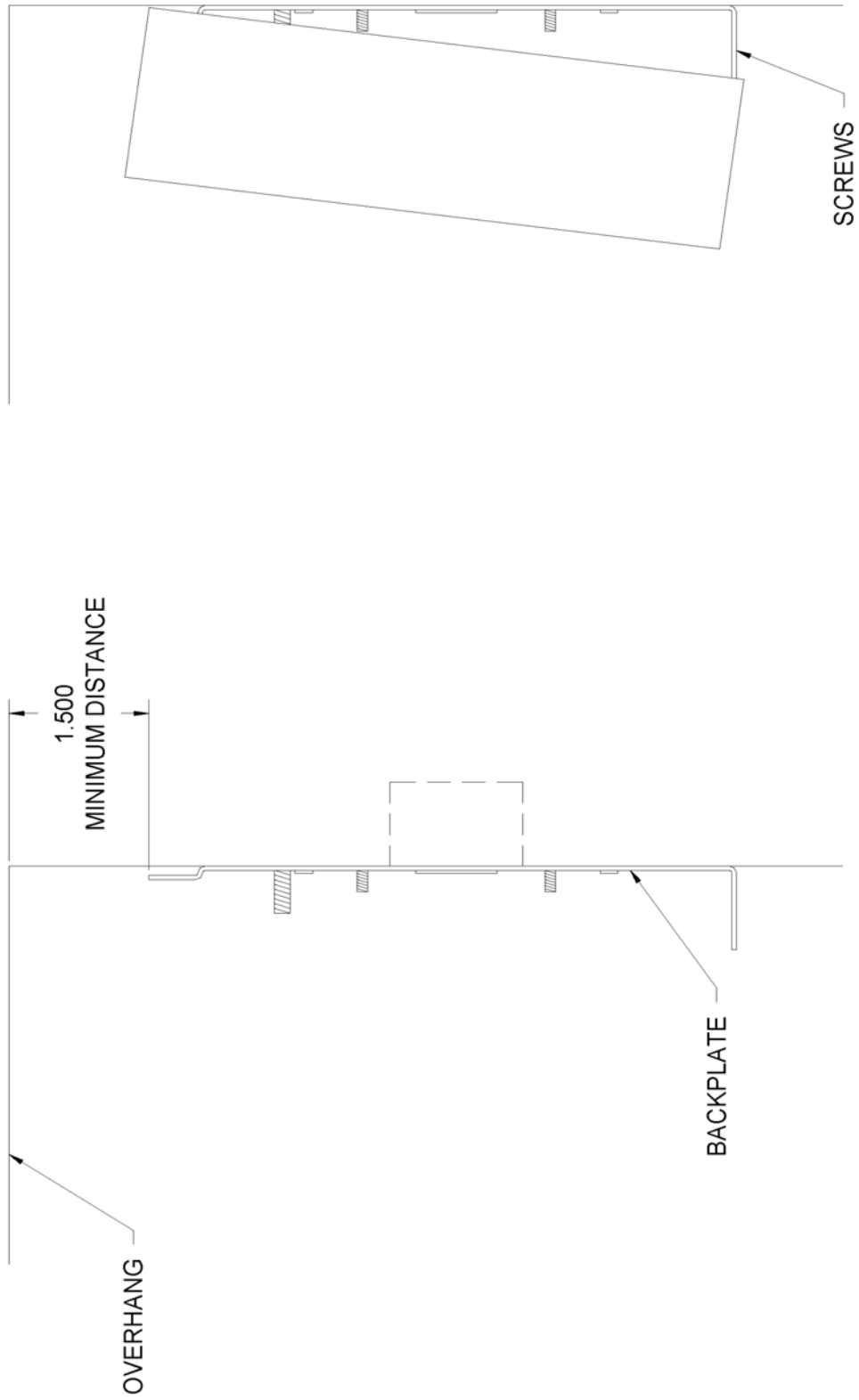
## Lane Light Installation Instructions

1. Determine if this unit is suitable for application (24 VAC or 120 VAC).
2. Turn power off to the circuit.
3. Remove the (2) Phillips head screws from the bottom of the unit.
4. Separate the backplate from the unit.
  - A. If using a 120 VAC unit, unplug the L.E.D. board wires from the transformer or transformers.
  - B. If using a 24 VAC unit, unplug the black connector or connectors.
5. Place the backplate/mount in the desired location. Make sure to allow enough clearance above the mount for completion of the installation and service (see Figure 1). Remove the appropriate knockouts provided in the backplate for installation.
6. Chase wires through the backplate and connect to the wires tied to the back plate. Note: For 24 VAC applications use a U.L. Listed Class II 24 VAC transformer.
7. Mount the backplate to the desired location.
8. Reconnect the wires removed in Step #4.
9. Install the unit casing by hanging the inside top lip of the case onto the joggled top lip of the backplate, and gently insert screw tabs into the slots provided in the unit case (be sure that the wiring does not get pinched or is sticking out of the case).
10. Turn on the power to the circuit to check for proper function of the unit.
11. Re-install the screws removed in Step #3.

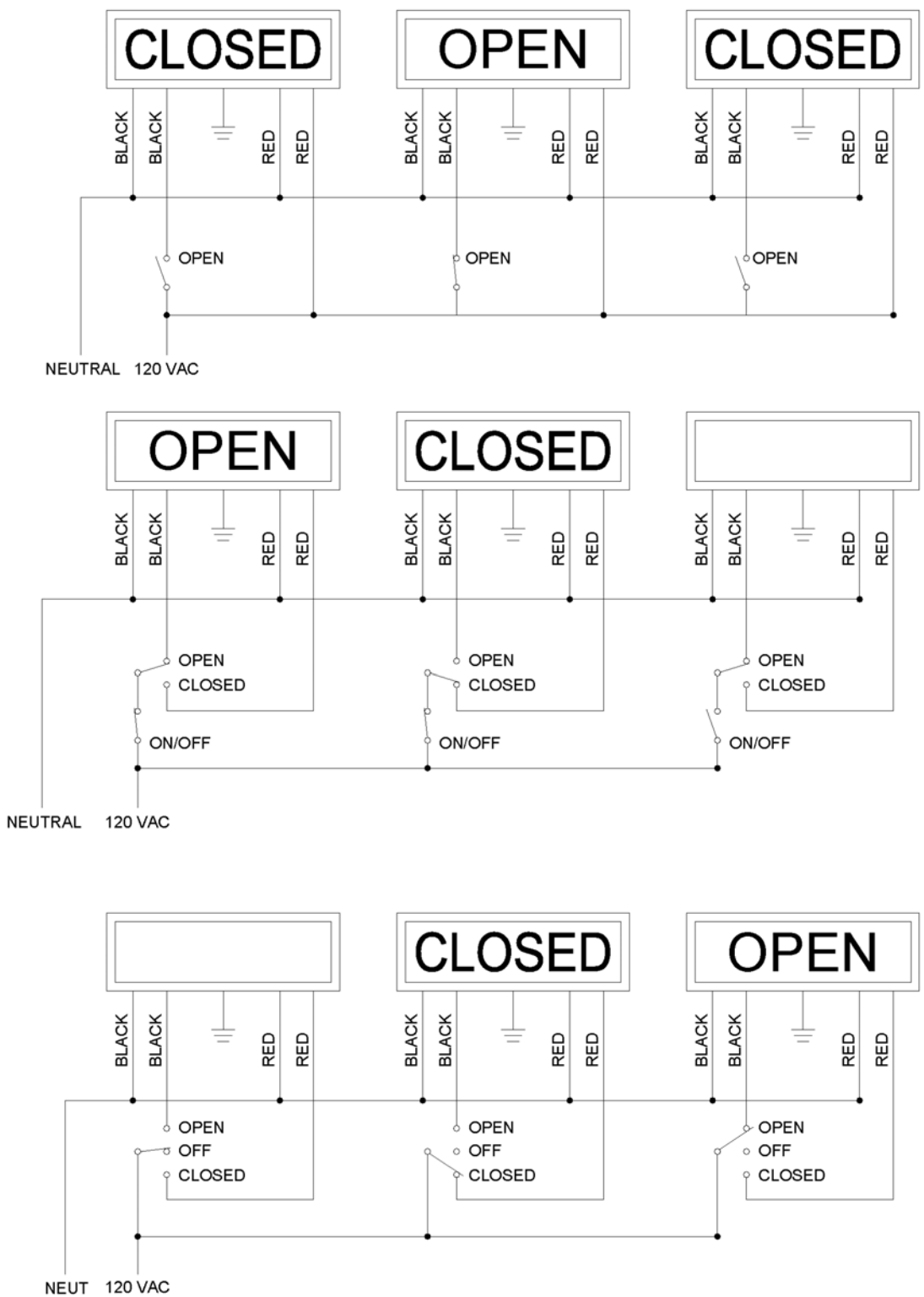
For various switching options, see Figures 2 and 3.

**Note: this sign is intended to be installed in accordance with the requirements of Article 600 of the National Electrical Code and/or other applicable local codes. This includes proper grounding and bonding of the sign.**

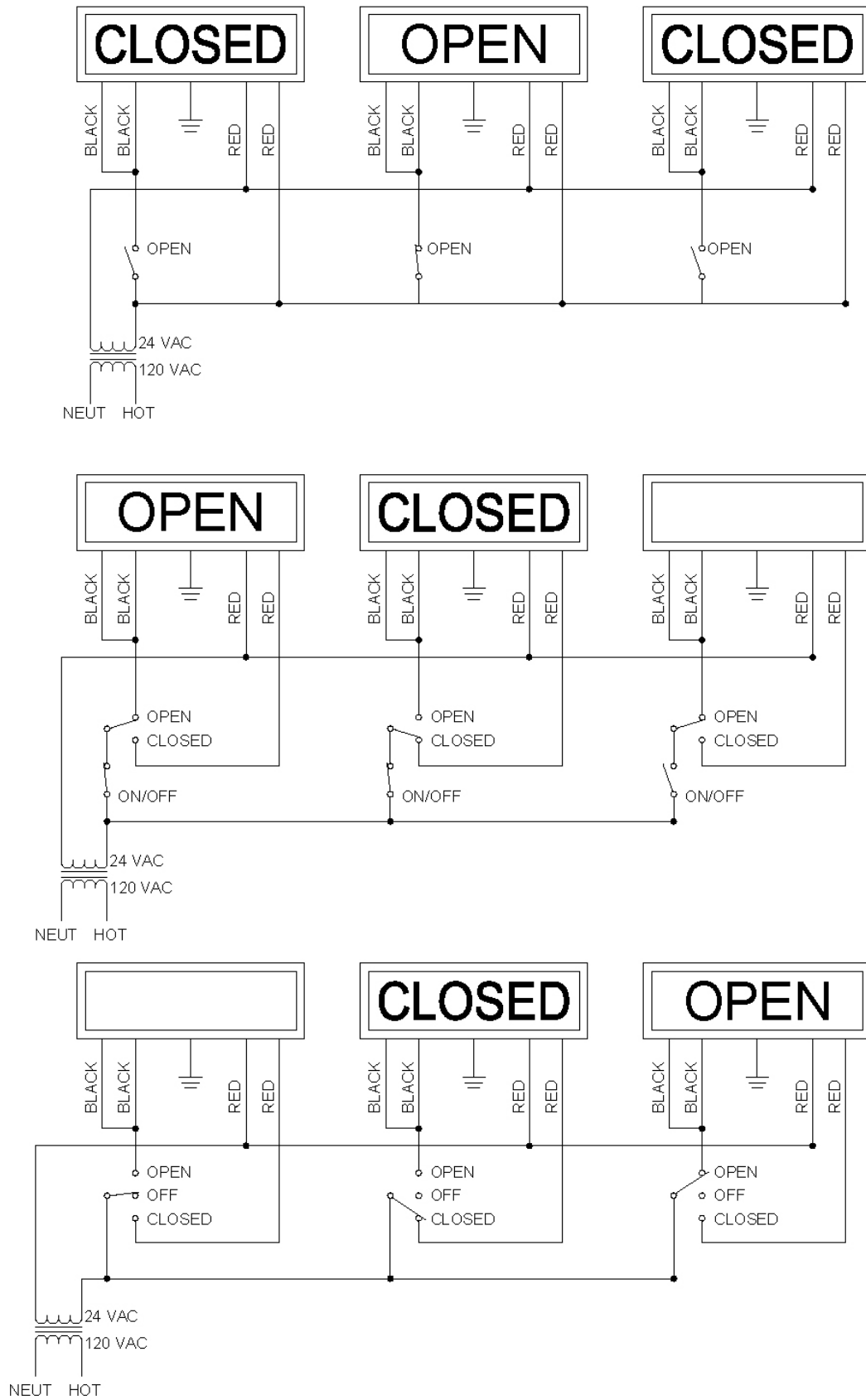
# Mounting Diagram



**Figure 1**

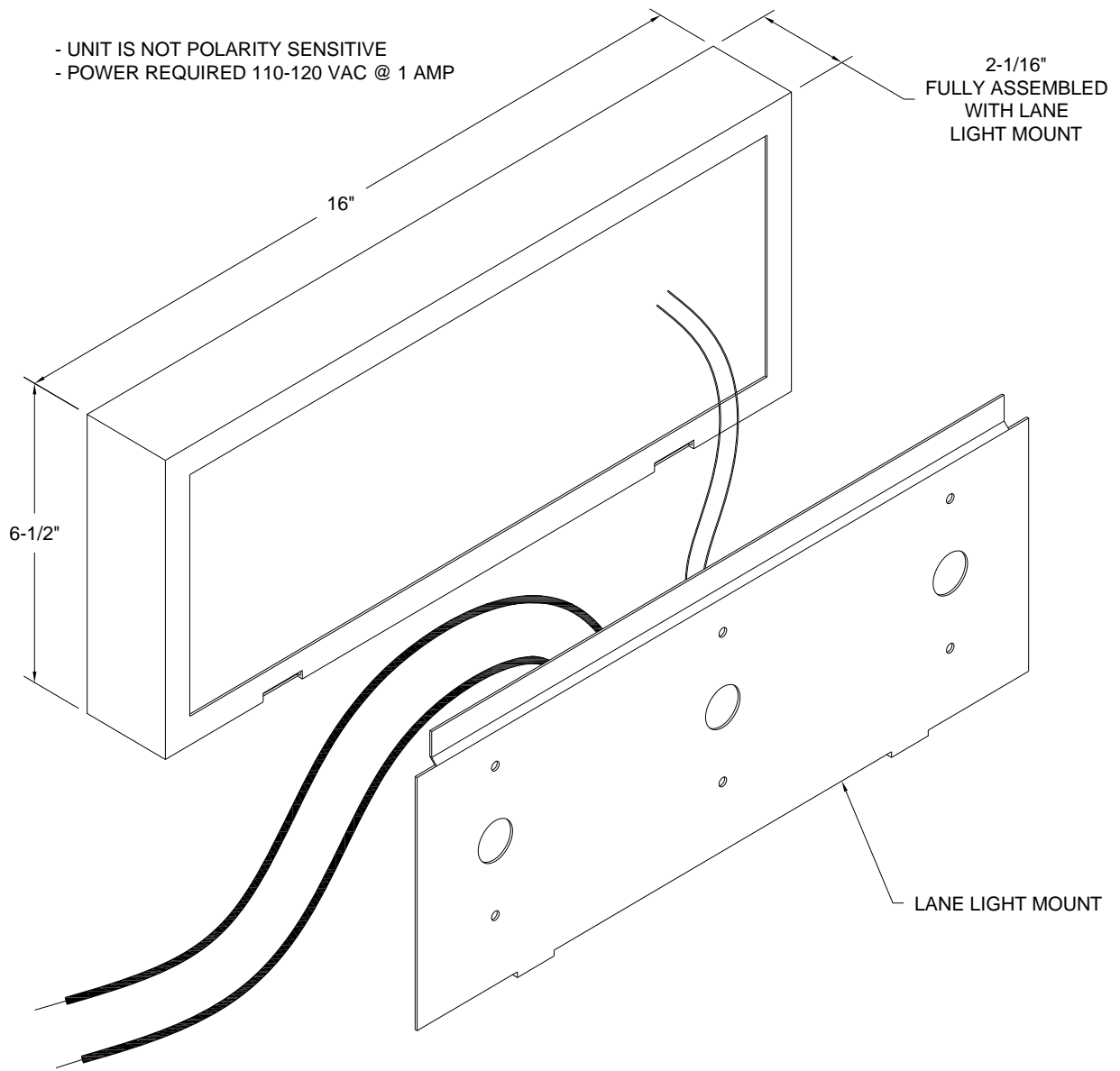


**120 VAC Switch Options**  
**Figure 2**



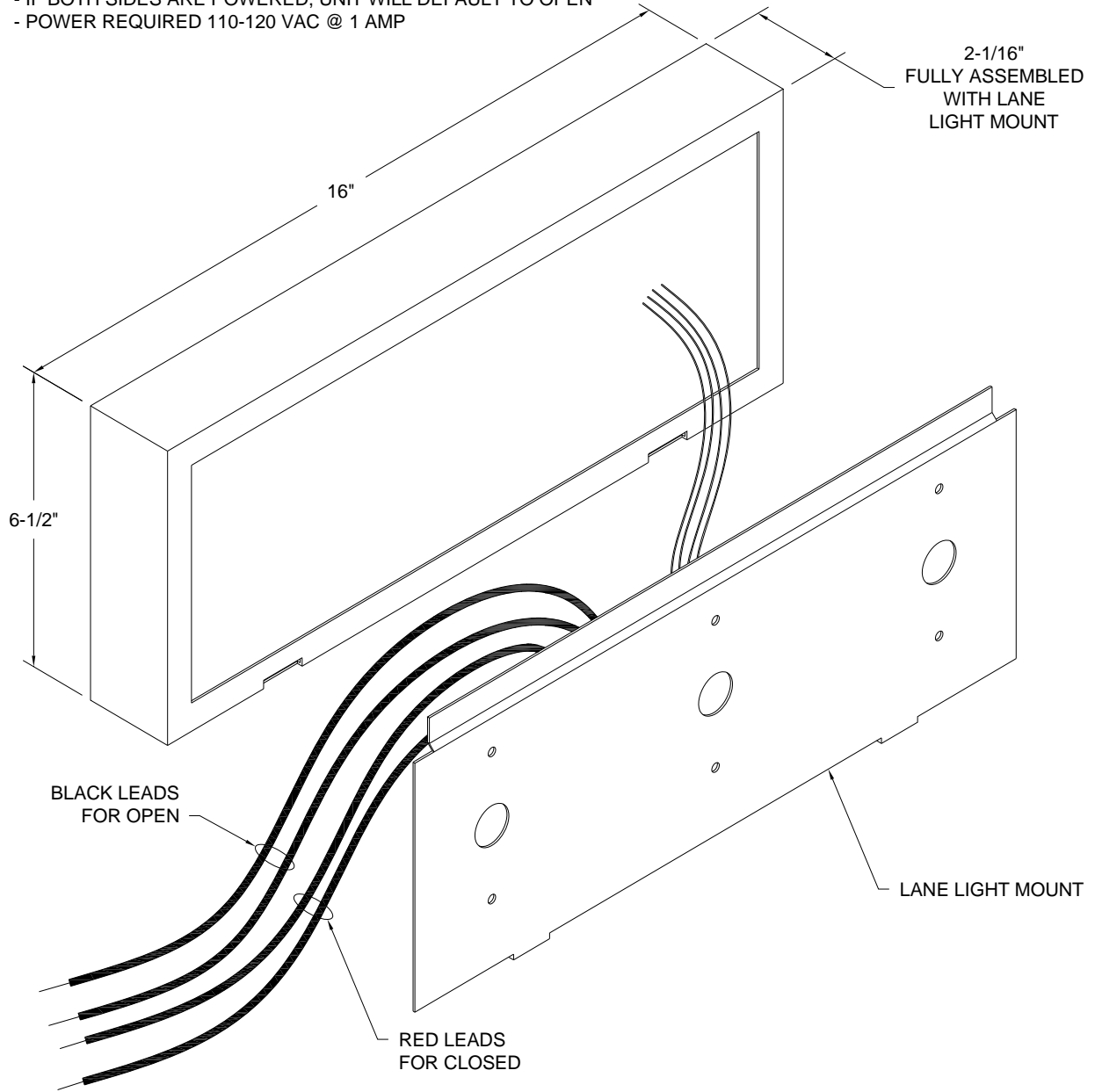
**24 VAC Switch Options**  
**Figure 3**





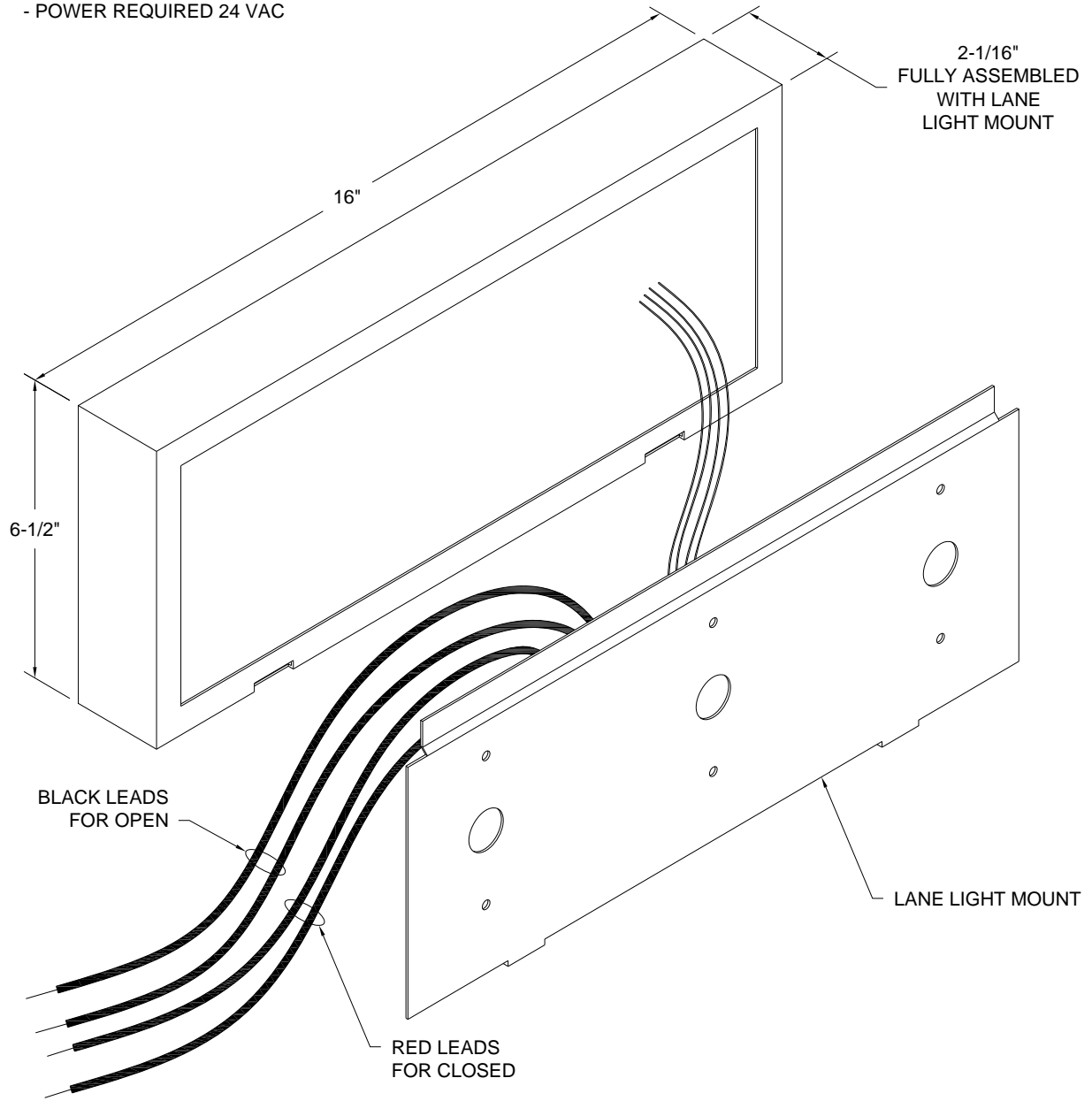
**120 VAC ATM Light**

- UNIT IS NOT POLARITY SENSITIVE
- IF BOTH SIDES ARE POWERED, UNIT WILL DEFAULT TO OPEN
- POWER REQUIRED 110-120 VAC @ 1 AMP

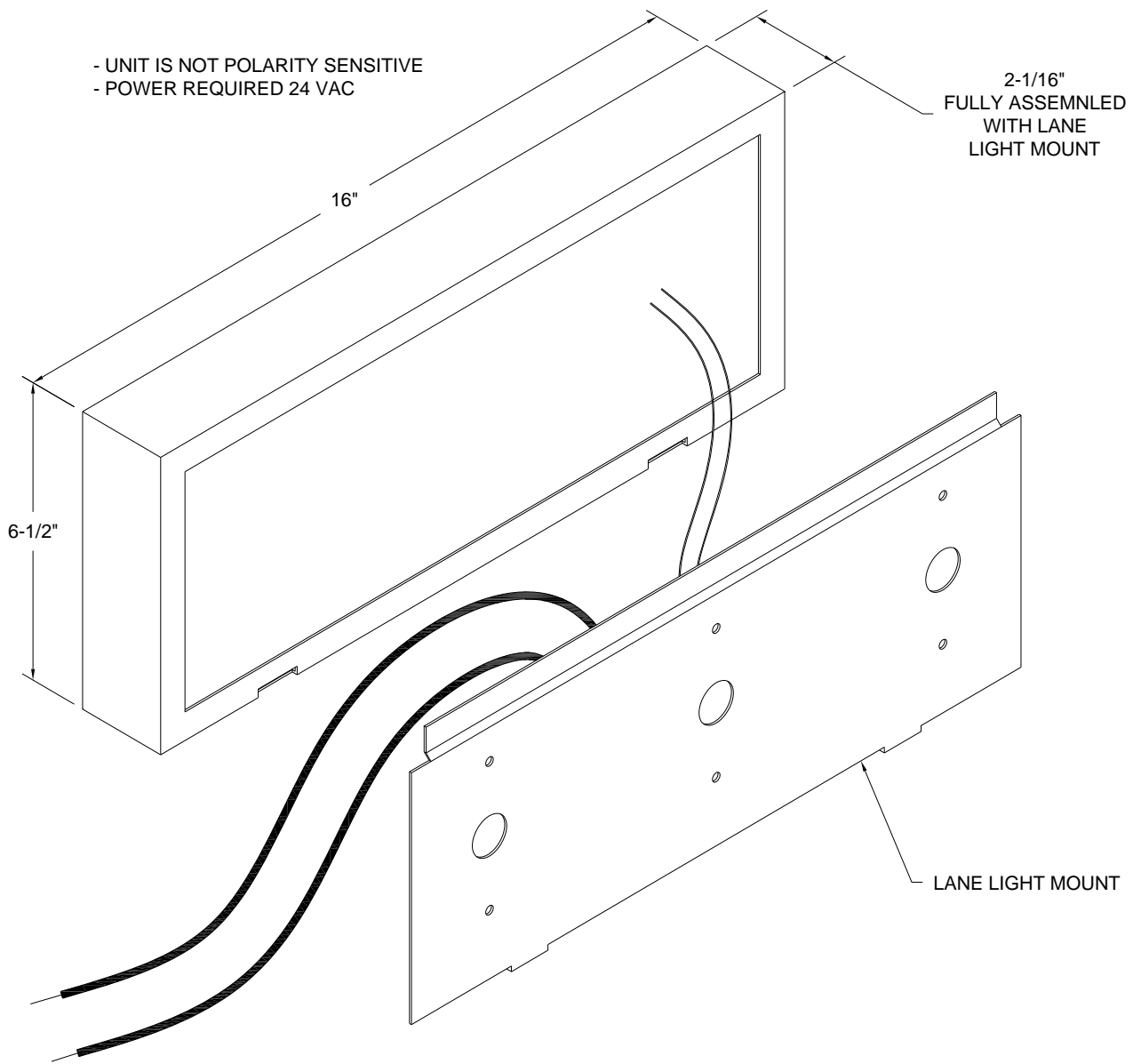


### 120 VAC Open/Closed Light

- UNIT IS NOT POLARITY SENSITIVE
- IF BOTH SIDES ARE POWERED, UNIT WILL DEFAULT TO OPEN
- POWER REQUIRED 24 VAC



### 24 VAC Open/Closed Light



**24 VAC ATM Light**

# Connections for powering Lane Light with DC

