
**Call Button Extension For
Bavis TransactionTM Drawer
Installation and Service Manual**

E. F. Bavis & Associates, Inc.

201 Grandin Road
Maineville, Ohio 45039
(513) 677-0500

Call Button Extension

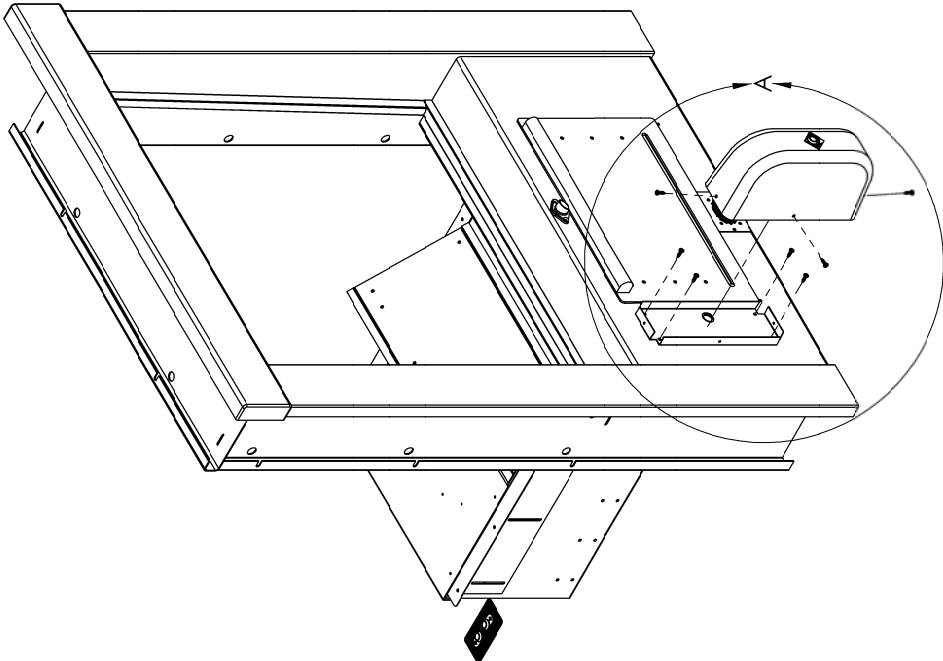
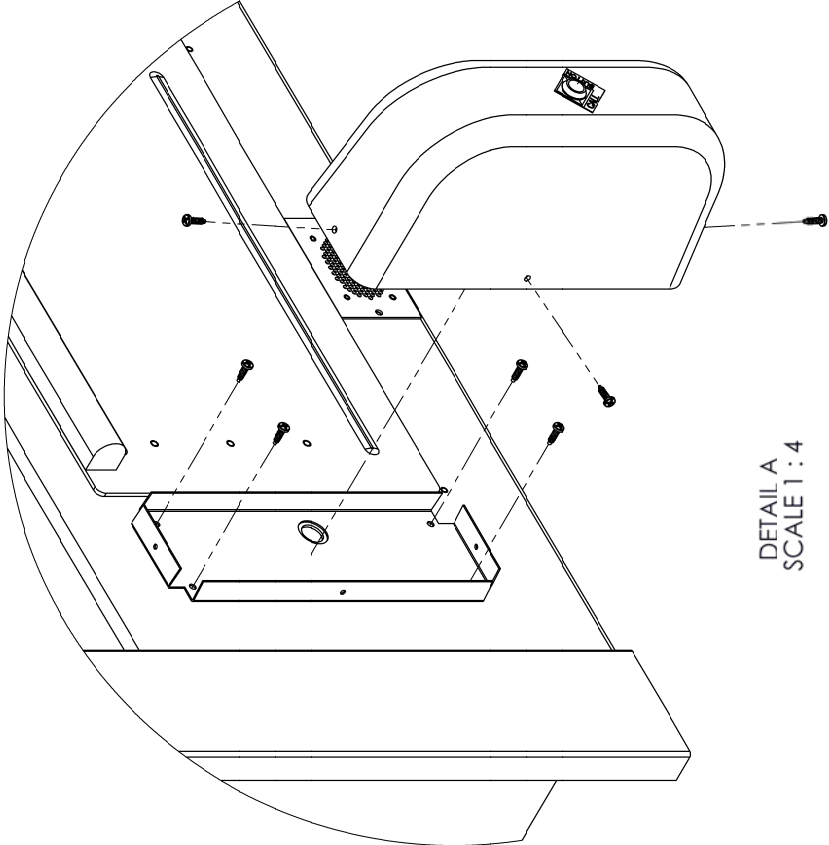
Table of Contents

Installation Instructions.....	1
Diagram.....	2
Parts List	3
Hardware List.....	3
Installation and Service Tool List.....	3

Call Button Extension Installation Instructions

1. If the existing call button is mounted flush to the face of the window frame, remove the call button by prying it out with a small flat head screwdriver and then remove the label. If the button has a 1/8" plate between it and the face of the frame, peel off the "Call Button" label, and remove the (2) screws attaching the plate to the frame.
2. Disconnect the call button wires, (do not let the leads go back into the frame).
3. Feed the leads through the hole in the mount for the Extension Housing, and position so the hole in the mount is centered over the call button hole in frame, with the hole to the right side of the mount, (See Diagram on page 2).
4. Square the mount with the door of the drawer and verify there is clearance between the customer door of the drawer and the Call Button Extension Housing.
5. Using the 9/64th drill bit provided, drill the four mounting holes into the frame.
6. Fasten the mount to the frame using the four #8 x 1/2" screws provided.
7. Connect the wires from the window harness to the leads coming from the call button mounted in the housing.
8. Test the new call button for proper operation.
9. Assemble the housing to the mount using the three #8 x 1/2" screws provided.
10. If further assistance is needed, contact the manufacturer.

Call Button Extension Diagram



Parts List

1 – Housing # 12045011

1 – Mount # 12044011

1 – Call Button # 00319699

1 – Call Button Label # 00207012

1 – 9/64th Drill Bit # 55555290

Hardware List

7 – #8 x1/2” Philips Pan Head Screws # 93101620

Installation and Service Tool List

1/8” and 3/8” Flathead Screwdrivers

#2 Phillips Screwdrivers

Electric Drill

