



201 Grandin Road
Maineville, Ohio 45039
(513) 677-0500

Small Electric Transaction Drawer Manual Operation Kit Installation Manual

Copyright 2023 E. F. Bavis & Associates, Inc.
All Right Reserved

Revised: 07/31/2023
PN: 00624021

Small Electric Transaction Drawer

Manual Operation Kit Installation Instructions

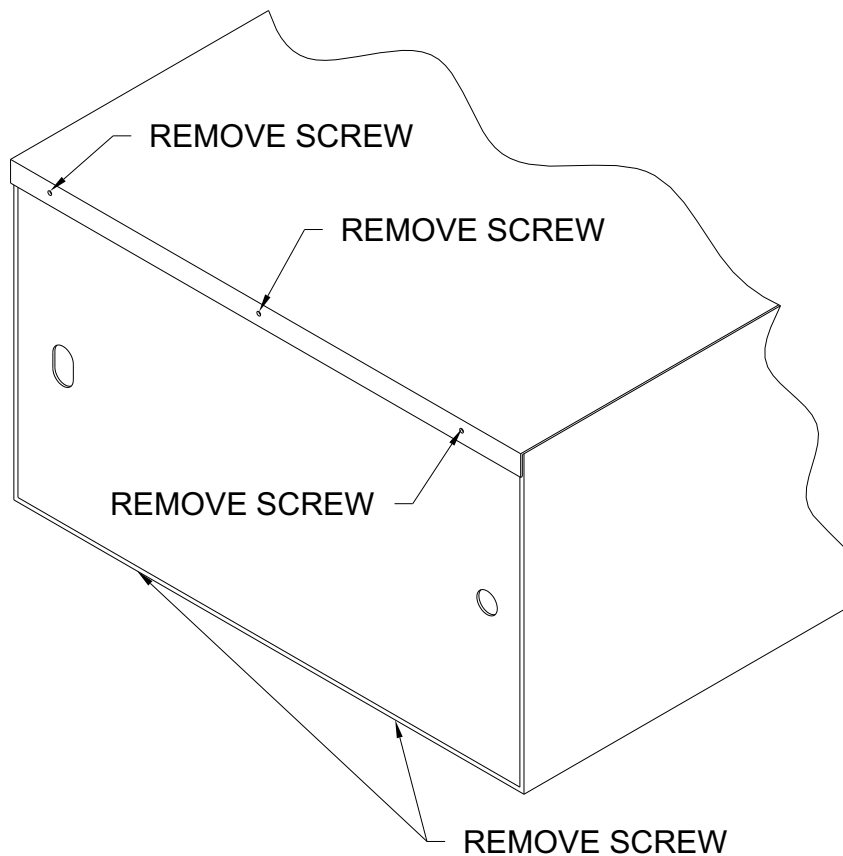
The manual operation kit for the *Transaction Drawer*[™] is intended to allow operation of the drawer in the event of a power outage or failure of the drive system on the drawer. This kit consists of a switch assembly, which deactivates the dynamic brake system on the motor when the manual rod is inserted into the drawer, a manual operation rod with knob, and a manual rod receiving block, which attaches to the drawer of the *Transaction Drawer*[™]. The drawer is operated by pushing and pulling on the rod, which opens and closes the drawer.

Warning - Risk of electrical shock - Disconnect power before servicing.

To install this kit requires removal of the back panel of the drawer.

Access to the inside of the drawer is through the back (Fig. 1). There are three screws on the face and two on the bottom that hold the back panel in place. After removing the screws, tilt the bottom of the back panel out until the side flanges clear the bottom of the shell, and then drop it down to clear the lip of the top panel. Reverse this procedure to reinstall the back panel.

Figure 1



Slide the manual rod receiving block between the right side slide angle and the shell of the drawer. Line up the clearance holes in the side slide angle with the drilled and tapped holes in the receiving block. Secure with the 1/4-20 bolts provided.

Install the switch assembly onto the back panel, by placing the holes in the bracket over the studs provided on the right side of the back panel, so the side of the bracket with the switches on it is facing the outside of the drawer. Secure with the 4-40 nuts provided.

Disconnect the red wire of the motor, which connects to the red wire coming out of the wire chase above the motor.

Connect one red wire of the switch to the red wire of the motor and the other red wire of the switch to the red wire coming out of the wire chase above the motor.

Reinstall the back panel with wires routed away from moving drawer slide.

To use the manual rod:

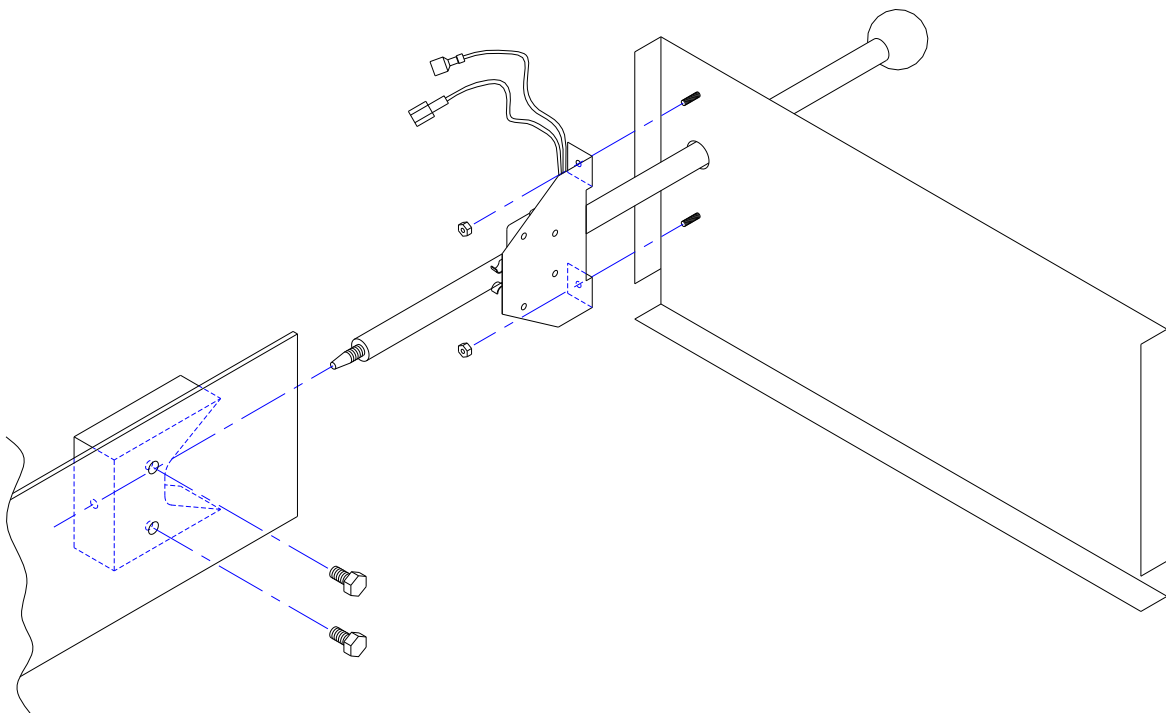
Remove the 5/8" Hole Plug from the right side of the back panel. Slide the manual rod into the hole until it contacts the receiver block. Tighten the rod clockwise until it seats. Push and pull on the rod to operate the drawer.

Note: TD motor will not run while manual rod is inserted.

Remove the rod and install the 5/8" hole plug back into the hole once normal operation has been restored.

Note: The Red Bin cannot be removed with the Receiving block installed.

Figure 2



Wire Routing

Switch bracket nut.
Wiring Zip-tie nut.

