



201 Grandin Road
Maineville, Ohio 45039
(513) 677-0500

Large Electric Transaction DrawerTM Manual Operation Kit

Installation Manual

Copyright 2023 E. F. Bavis & Associates, Inc.
All Right Reserved

Revised: 07/31/2023
PN: 00624011

Large Electric Transaction Drawer™

Manual Operation Kit Installation Manual

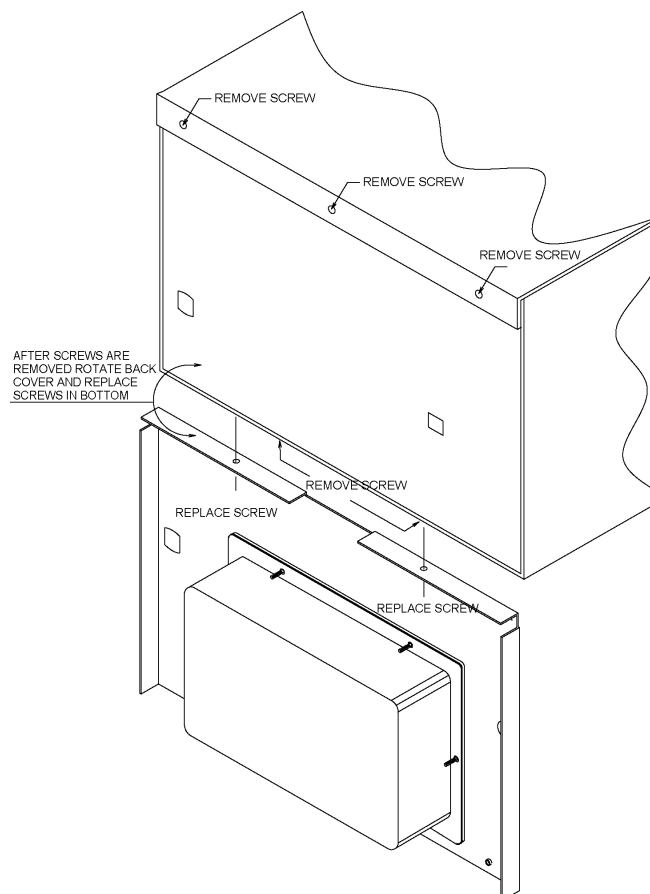
The manual operation kit for the *Large Electric Transaction Drawer™* is intended to allow operation of the drawer in the event of a power outage or failure of the drive system on the drawer. This kit consists of a switch assembly, which deactivates the dynamic brake system on the motor when the manual rod is inserted into the drawer, a manual operation rod with knob, and a manual rod receiving block, which attaches to the drawer of the *Transaction Drawer™*. The drawer is operated by pushing and pulling on the rod, which opens and closes the drawer.

Warning - Risk of electrical shock - Disconnect power before servicing.

To install this kit requires removal of the back panel of the drawer.

Access to the inside of the drawer is through the back (Fig. 1). There are three screws on the face and two on the bottom that hold the back panel in place. The electronic controls are attached to the back panel under a water-tight housing. There are wires from this housing that connect to the motor and the bottom of the drawer. After removing the screws, tilt the bottom of the back panel out until the water-tight housing clears the motor, then drop it down to clear the lip of the top panel. The panel can then be rotated 180° and secured with two of the screws to the bottom of the drawer. This position will prevent excessive strain on the leads and components. Reverse this procedure to reinstall the back panel.

Figure 1



Install the switch assembly by placing the holes in the bracket over the studs provided on the right side of the back panel. Secure with the 4-40 nuts provided.

Disconnect the red wire of the motor, which connects to the red wire coming out of the water-tight enclosure.

Connect one red wire of the switch to the red wire of the motor and the other red wire of the switch to the red wire coming out of the water-tight enclosure.

Slide the manual rod receiving block between the right side slide angle and the shell of the drawer. Line up the clearance holes in the side slide angle with the drilled and tapped holes in the receiving block. Secure with the 1/4-20 bolts provided.

Reinstall the back panel with wires routed away from moving drawer slide.

To use the manual rod:

Remove the 5/8" Hole Plug from the right side of the back panel. Slide the manual rod into the hole until it contacts the receiver block. Tighten the rod clockwise until it seats. Push and pull on the rod to operate the drawer.

Note: TD motor will not run while manual rod is inserted.

Remove the rod and install the 5/8" hole plug back into the hole.

Figure 2

