



201 Grandin Road
Maineville, Ohio 45039
(513) 677-0500

Transaction Drawer (TD) Factory Installed Heater Connection Manual

Copyright 2019 E. F. Bavis & Associates, Inc.
All Right Reserved

Revised: 12/10/2019
PN: 00623021

Transaction Drawer™ Heater Installation

Table of Contents

Installation Instructions.....	1
Operation Instructions.....	1
Parts Supplied	2
Figure #1.....	2
Figure #2.....	3
Figure #3 Wiring Schematic.....	4

Installation Instructions

Tools Needed:

5/16" Wrench or Nut Driver
Flat Blade Screwdriver
1/4" Wrench or Nut Driver

Installation Procedure

Mount the heater power supply to the side of the drawer, bottom of the countertop, or other nearby surface, so that the On/Off switch is accessible and that the Heater Cable will reach to the Coiled Cable. If you are mounting to the side of the drawer, check that the location of the holes & screws will not damage and/or interfere with the drawer's operation. If mounting to the side of the drawer, drill holes with the bit provided, and secure with the #8x3/8" hex headed thread forming screws provided. (Note: the E.F. Bavis All-In-One series windows have studs provided, see Figure #3 for location)

Route the Heater Cable through the drawer's outer frame/shell using either the 3/8" hole in the right side, or the 3/8" hole in the bottom of the drawer and the grommet provided.

Install the white 2 position connector housing onto the cable, with the Red wire at the tapered end.

Plug the heater wire into the back of the heater power supply.

Wire the heater power supply to a 120V circuit following NEC and all local codes. *6" 16ga leads are provided for the power connection.*

Heater Operation

Turn on with the rocker switch on the face of the heater power supply. The switch should illuminate.

The drawer will get warm to the touch. The heater is powered from low voltage and protected by a 4 amp *circuit breaker* in the heater power supply. The heater is controlled by a non-adjustable thermostat. A non replaceable over-temperature device is built in to the heater to protect against thermostat failure.

Parts Supplied:

<u>ITEM</u>	<u>DESCRIPTION</u>	<u>QTY.</u>
1	Heater Power Supply	1
2	#8 Thread rolling screws	4
3	Orange wire nuts	3
4	9/64" drill bit	1
5	Strain relief	1
6	18-3 Power cord	1

FIGURE #1
Mounting onto an EF Bavis All-In-One Series Window

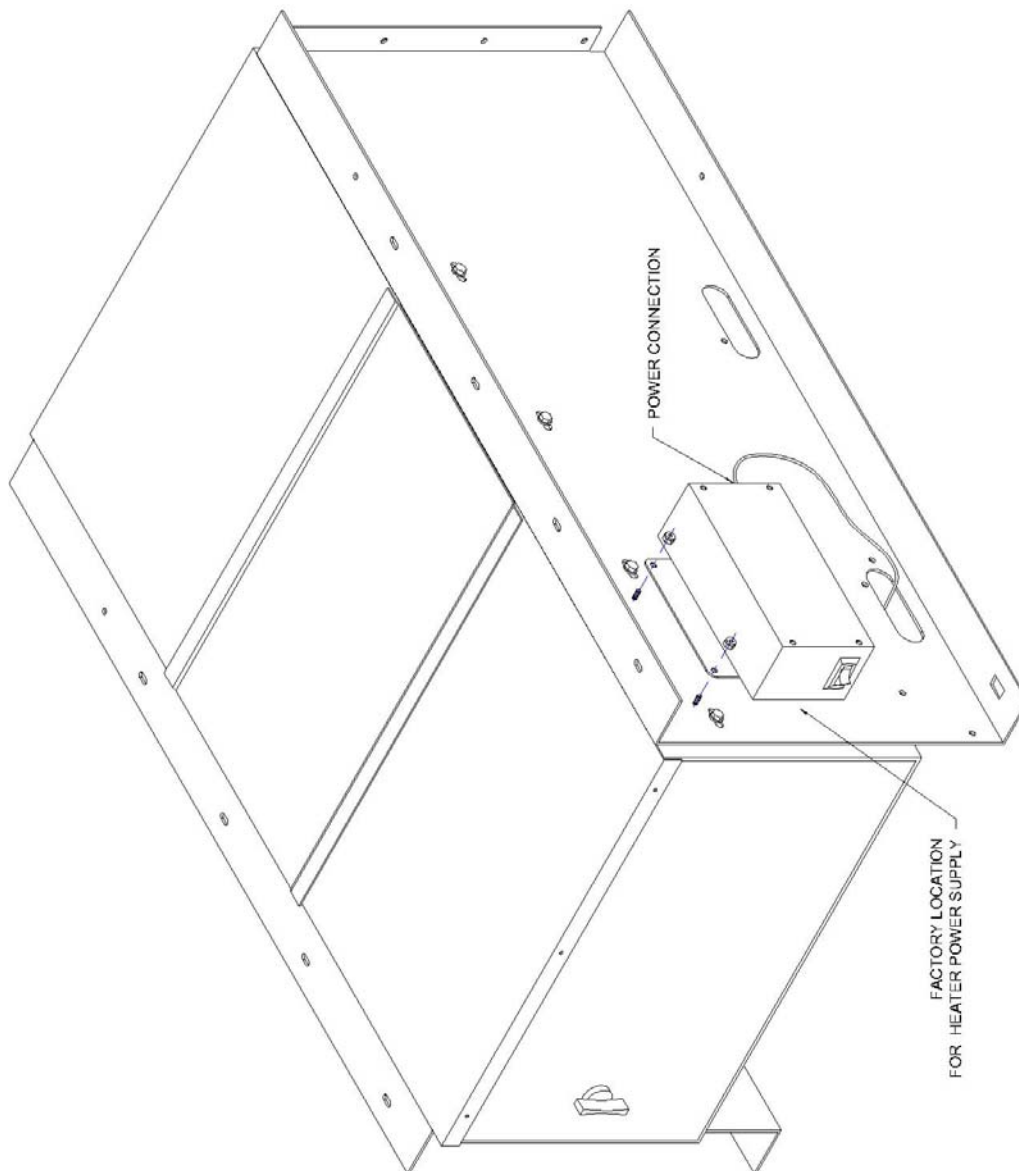


FIGURE #2

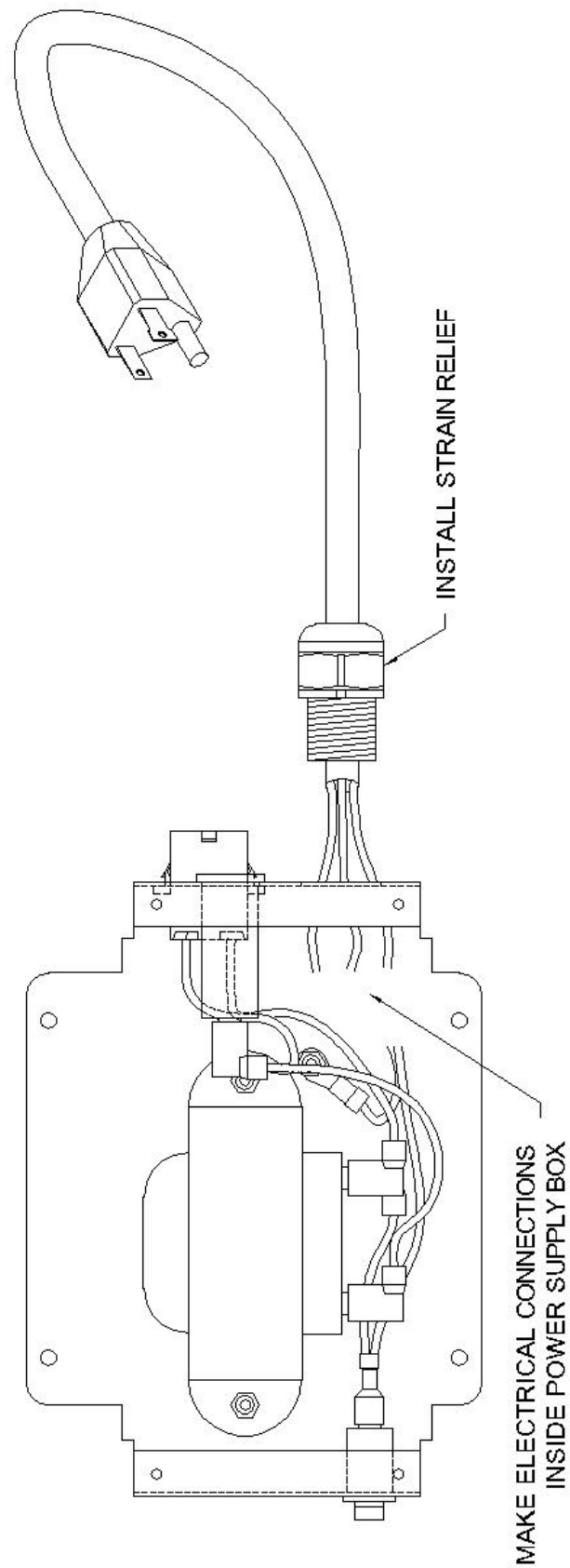
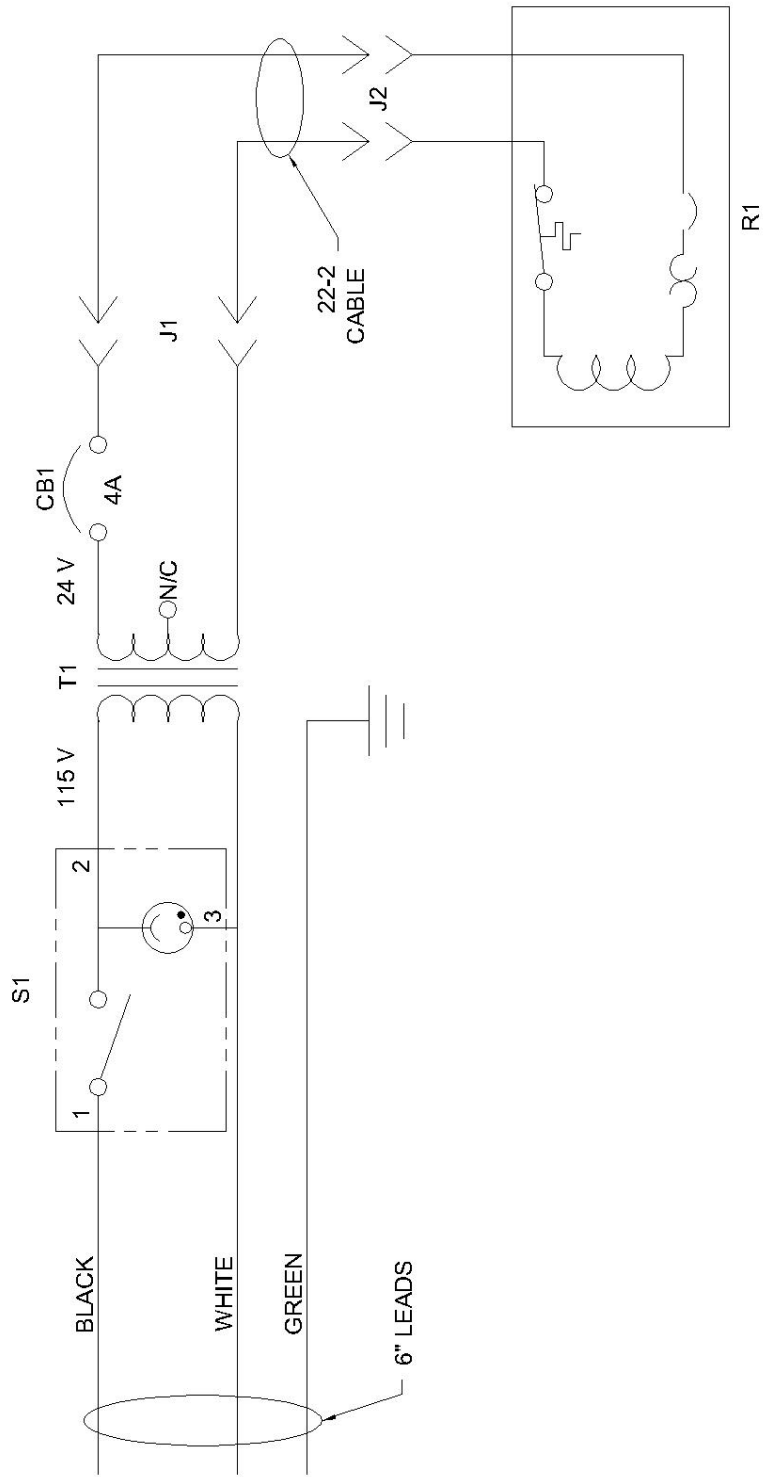


FIGURE #3



WIRING SCHEMATIC

