



201 Grandin Road  
Maineville, Ohio 45039  
(513) 677-0500

## **TT/CC Send Switch Instructions**



**TT/CC Send Switch Instruction**

**Table of Contents**

Procedure ..... 1  
Assembly Diagram.....2  
Bill of Material.....3



## **Send Switch Retrofit Instructions**

### **NOTE:**

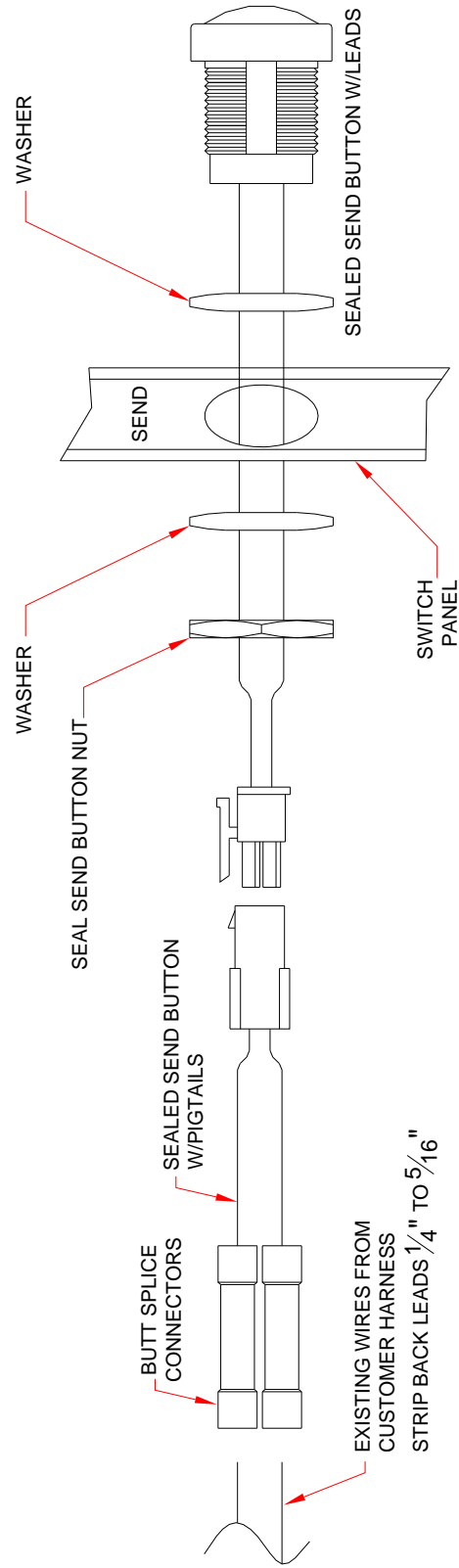
**Always change both switches, even if only one is bad.**

### **Procedure**

1. Disconnect Power
2. Remove the customer control panel.
3. Unplug and remove both of the old send switches.
4. At the customer harness, cut off the 2-pin connector for the send switches.
5. Install the new send switches (see diagram on next page). Use the flat washers provided, if needed, making sure that the send logo is visible.
6. Strip back the two wires from the customer harness and connect to the new send pigtails using the butt splices connectors. Polarity does not matter.
7. Connect the sealed send buttons and pigtails together.
8. Reinstall the customer control panel.
9. Connect the power and test the switches.

If the switches do not work, disconnect the power and check the connections.  
For further questions or problems, please consult the factory.

# Assembly Diagram



## Bill of Material

Part Number	Description	Quantity
00319800	Green Send Button with leads	2
98026003	5/8" ID x 1-3/16" OD Washer	4
00616021	Send Switch Installation Manual	2
00354041	Sealed Send Button Pigtail	2

