



Customer Name: _____

Customer Location: _____

Measured by: _____

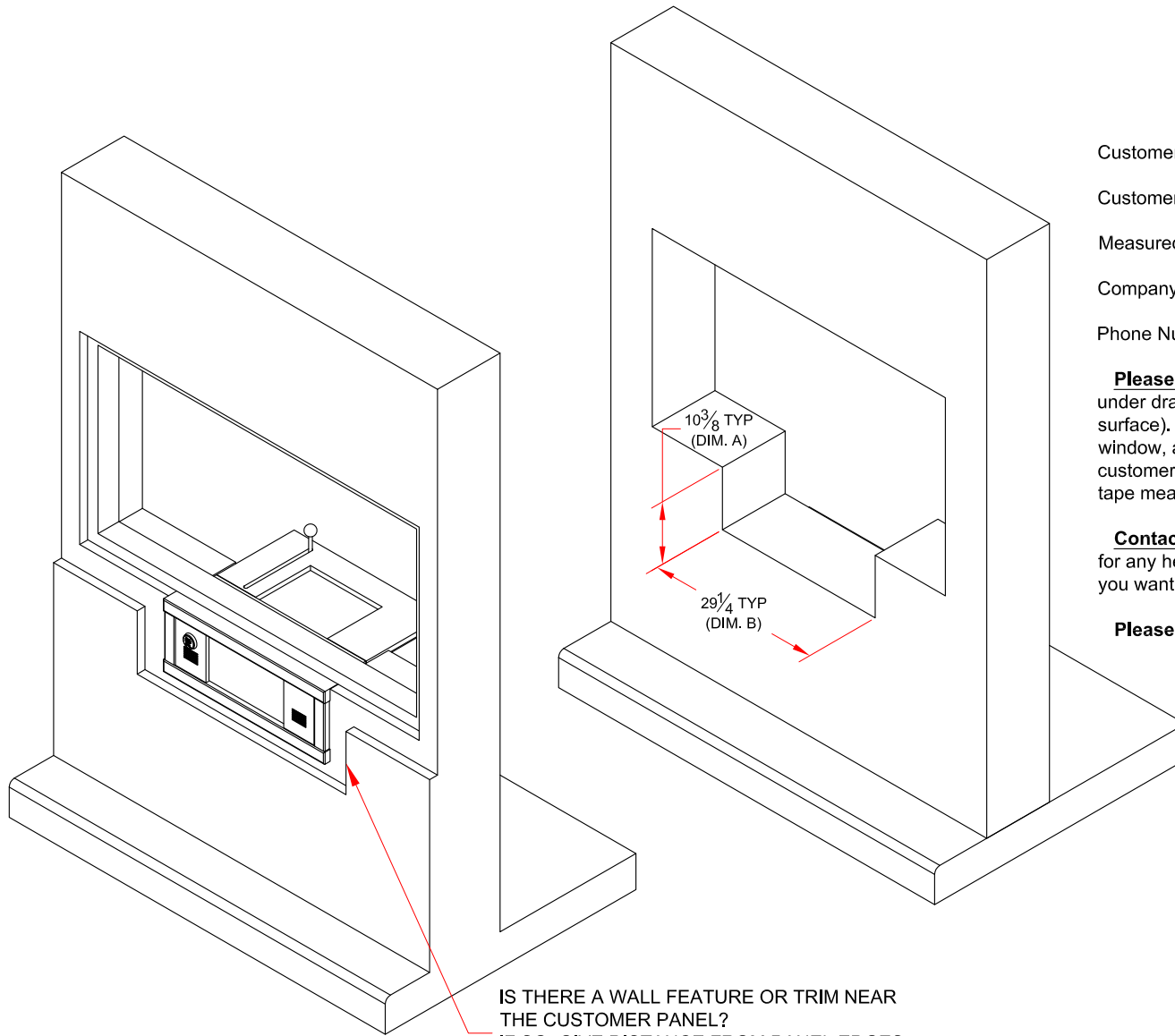
Company: _____

Phone Number: _____

Please send photos of site, both inside, (top of window to floor, and under drawer to show mounting), and outside, (top of window to drive surface). Also for the outside, include photos showing the bottom of the window, all of the customer panel with the view angled to show the customer panel contacting the wall surface. When taking pictures, have a tape measure pulled across the items to be measured.

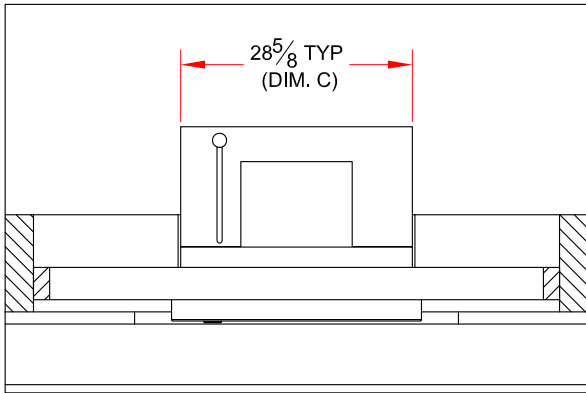
Contact the factory, (513-677-0500), while onsite with any questions or for any help on how to take the measurements. Let the operator know that you want help with a drawer measurement form.

Please fill in all dimensions on the next page.

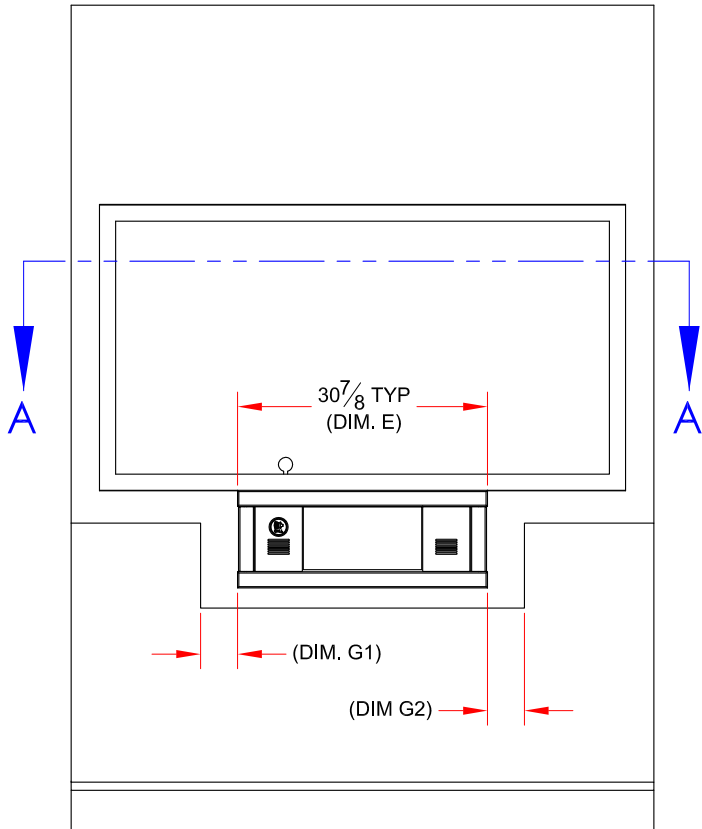


IS THERE A WALL FEATURE OR TRIM NEAR THE CUSTOMER PANEL?
IF SO, GIVE DISTANCE FROM PANEL EDGES IN DIM. G1, G2, & H

Additional Site Notes:



SECTION A-A



Audio System

Manufacturer: _____

Model No.: _____

Audio System Works?

Yes No

Stand alone Console:

Yes No

Connected to Phone System:

Yes No

Has Inside Handset: Yes No

Has Outside Handset: Yes No



Dimensions, (DIM.), Please fill in the actual dimension measured. If there is no wall feature or trim near the edges of the customer panel, leave G1, G2 & H blank. Illustration of Dim A & B are shown on page 1.

Model or P/N: _____

A = _____

B = _____

C = _____

D = _____

E = _____

F = _____

G1 = _____

G2 = _____

H = _____

I = _____

Please email form with photos to:

CAD@bavis.com

