

MATERIAL: 18 GA. STAINLESS STEEL WITH #4 FINISH
(FOR BLACK TEXTURED POWDER COAT FINISH ORDER P.N. 05434991)

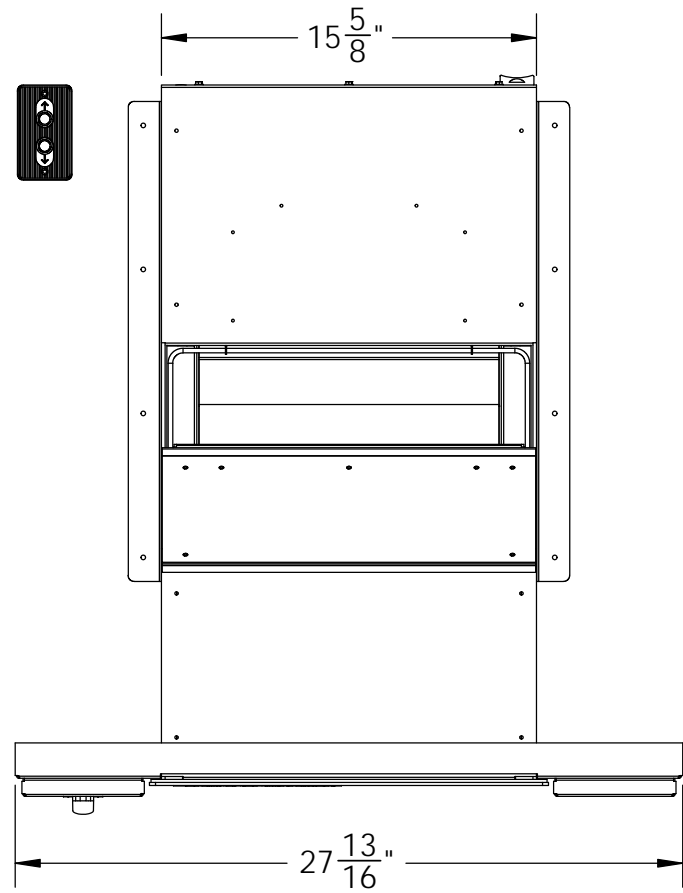
MICROPHONE, SPEAKER AND CALL BUTTON CABLES ARE EACH 10 FOOT LONG.

ALL DIMENSIONS AND APPEARANCE ARE SUBJECT TO CHANGE WITHOUT NOTICE.

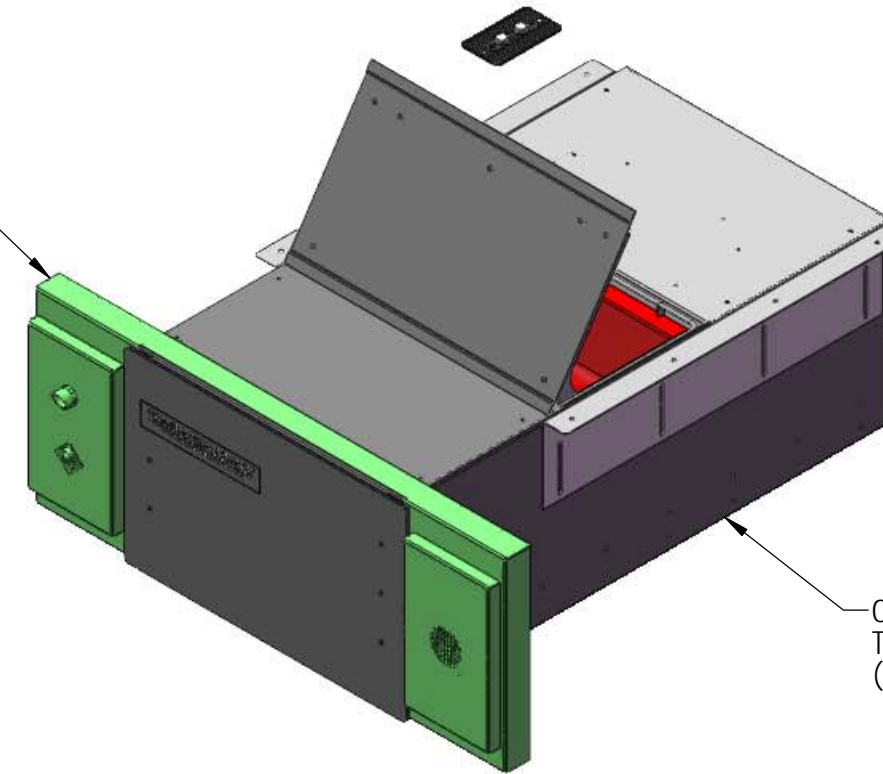
PROPRIETARY
THIS DOCUMENTATION AND INFORMATION CONTAINED ARE THE SOLE PROPERTY OF E.F. BAVIS & ASSOC., INC. IT SHALL BE RETURNED UPON REQUEST AND SHALL NOT BE REPRODUCED IN WHOLE OR IN PART, OR DISCLOSED TO ANYONE ELSE, OR USED, WITHOUT WRITTEN CONSENT OF E.F. BAVIS & ASSOC., INC.



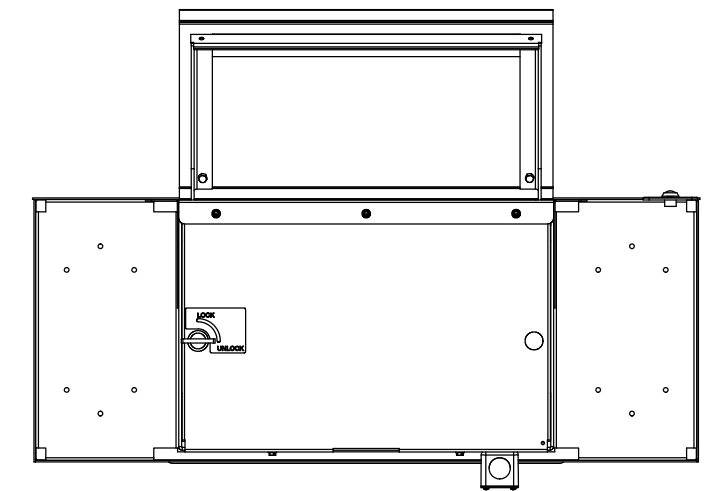
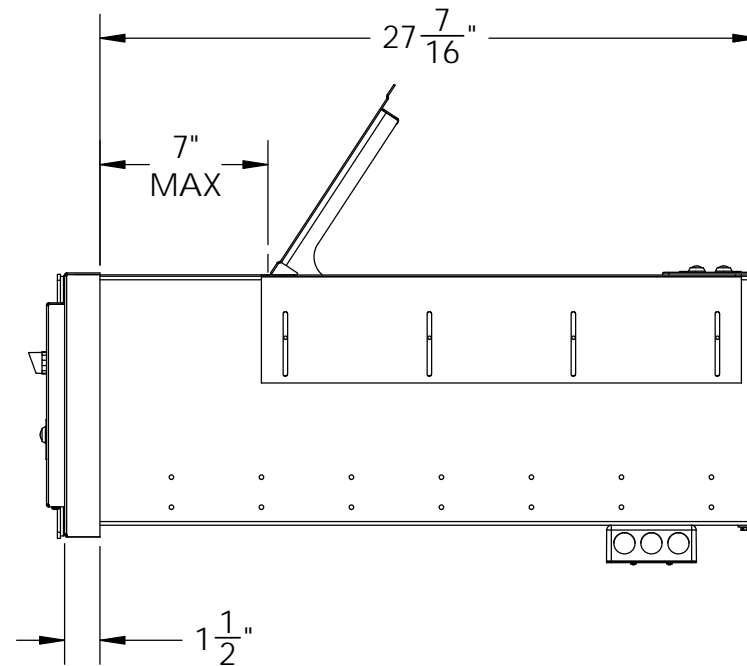
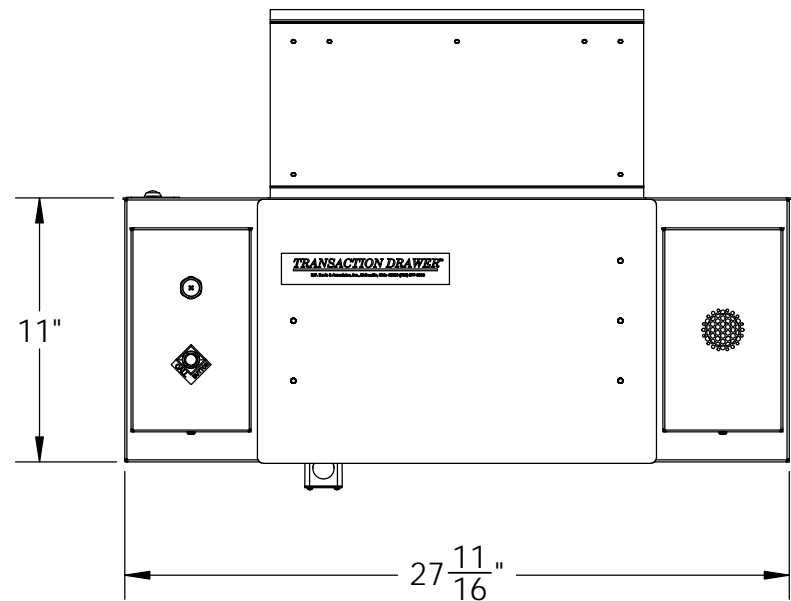
SIGNATURES		DATE	TITLE
DRAWN MJC		10/09/12	SS RETROFIT AUDIO COMPONENTS SET OF 2 PANELS
CHECKED			
ENGR.			
DIMENSIONS ARE IN INCHES	TOLERANCE UNLESS OTHERWISE NOTED:		
UNLESS OTHERWISE SPECIFIED	DECIMAL ±	N/A	
	FRACTION ±	1/32	
ECN	ANGULAR ±	N/A	
14037			
SIZE B	DRAWING NO.	05434993	SHEET 1 OF 1



24031991
BAVSONIC TD
AUDIO PANEL



00500993
TRANSACTION DRAWER
(SOLD SEPARATELY)



MATERIAL: 16 GA. STEEL WITH BLACK POWDER COAT FINISH (CONTACT FACTORY FOR OTHER FINISHES).
MODEL 00500993 TRANSACTION DRAWER WITH OPERATOR SWITCH IS NOT INCLUDED IN THIS KIT.
ALL DIMENSIONS AND APPEARANCE ARE SUBJECT TO CHANGE WITHOUT NOTICE.

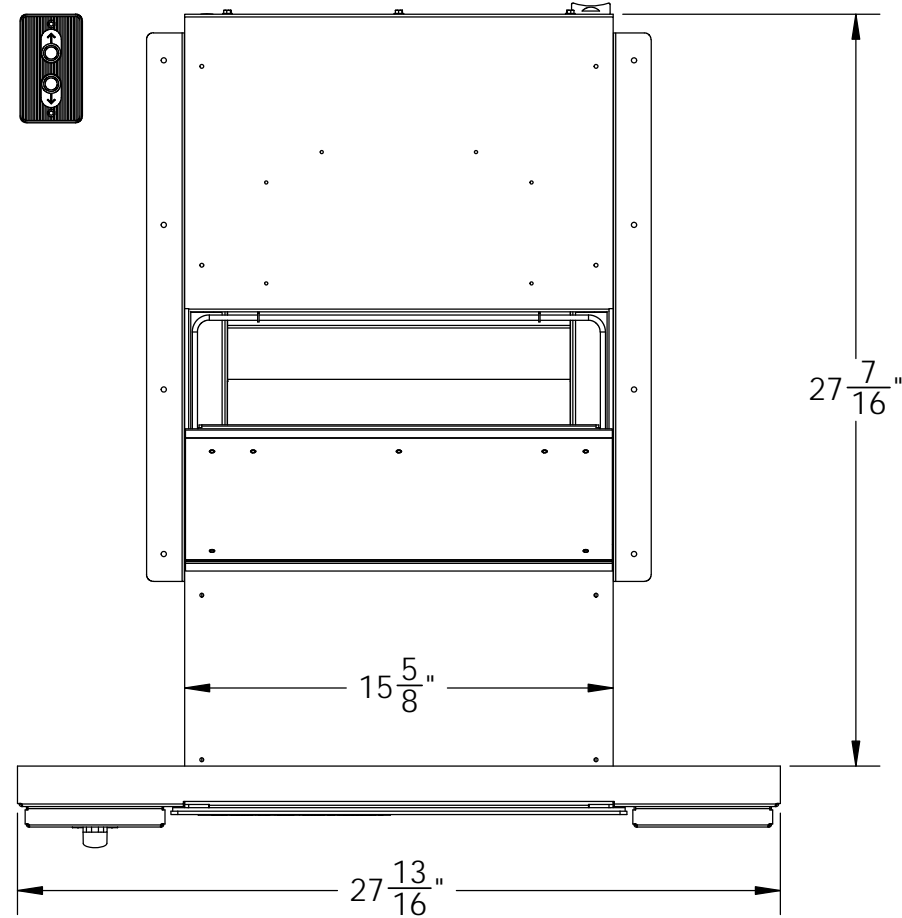
PROPRIETARY
THIS DOCUMENTATION AND INFORMATION CONTAINED ARE THE SOLE PROPERTY OF E.F. BAVIS & ASSOC., INC. IT SHALL BE RETURNED UPON REQUEST AND SHALL NOT BE REPRODUCED IN WHOLE OR IN PART, OR DISCLOSED TO ANYONE ELSE, OR USED, WITHOUT WRITTEN CONSENT OF E.F. BAVIS & ASSOC., INC.



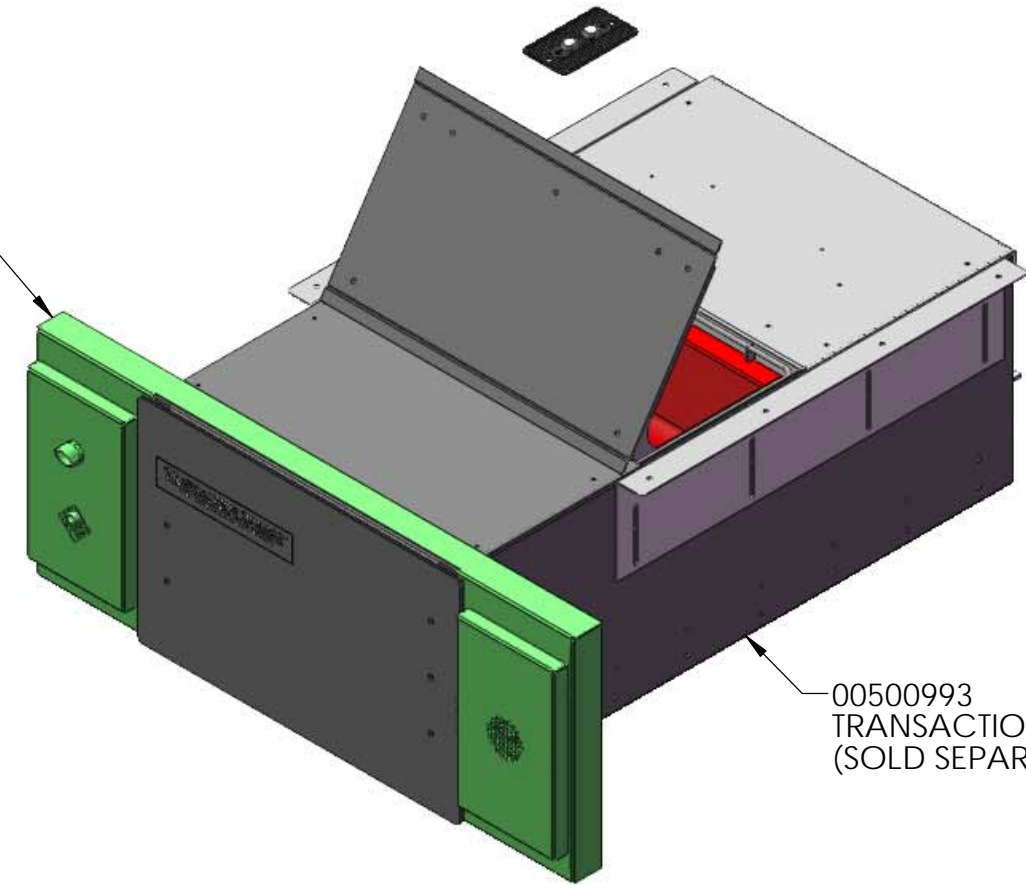
SIGNATURES		DATE	TITLE
DRAWN MJC		04/13/15	BAVSONIC TD AUDIO PANEL FOR USE WITH NEW AUDIO
CHECKED			
ENGR.			
DIMENSIONS ARE IN INCHES	TOLERANCE UNLESS OTHERWISE NOTED:		SIZE B DRAWING NO. 24031991 SHEET 1 OF 1
UNLESS OTHERWISE SPECIFIED	DECIMAL ± .005		
ECN 6390	FRACTION ± N/A		
	ANGULAR ± N/A		

24032991

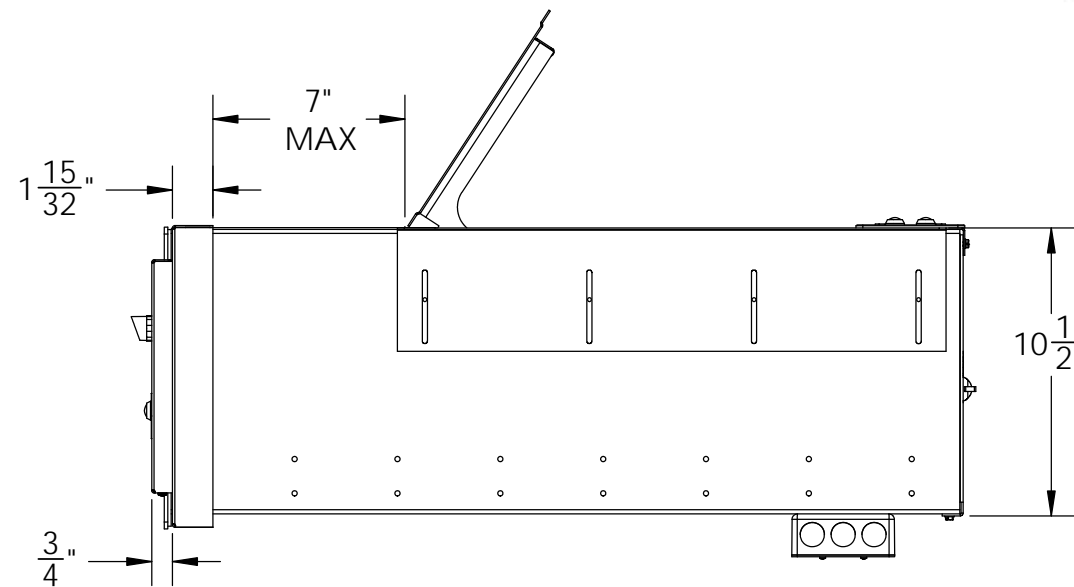
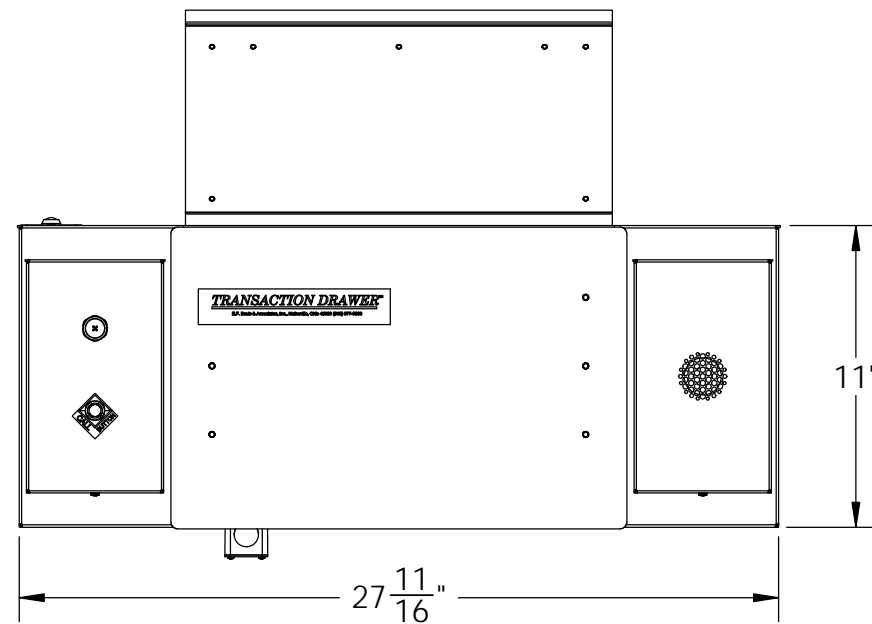
DATE	ECN	REVISION RECORD	DR	CK
08/30/10	11936	SWITCH MIC & SPEAKER LOCATIONS	MC	DM
08/04/15	16611	CONVERT TO RAIN SHED DESIGN	MC	DL



24032991
BAVSONIC SS TD
AUDIO PANEL




00500993
TRANSACTION DRAWER
(SOLD SEPARATELY)



18 GA STAINLESS STEEL EXTERIOR - #4 FINISH
MODEL 00500993 TRANSACTION DRAWER NOT INCLUDED - ORDER AS SEPARATE ITEM.
DIMENSIONS AND APPEARANCE SUBJECT TO CHANGE WITHOUT NOTICE.

PROPRIETARY

THIS DOCUMENTATION AND INFORMATION CONTAINED ARE THE SOLE PROPERTY OF E.F. BAVIS & ASSOC., INC. IT SHALL BE RETURNED UPON REQUEST AND SHALL NOT BE REPRODUCED IN WHOLE OR IN PART, OR DISCLOSED TO ANYONE ELSE, OR USED, WITHOUT WRITTEN CONSENT OF E.F. BAVIS & ASSOC., INC.

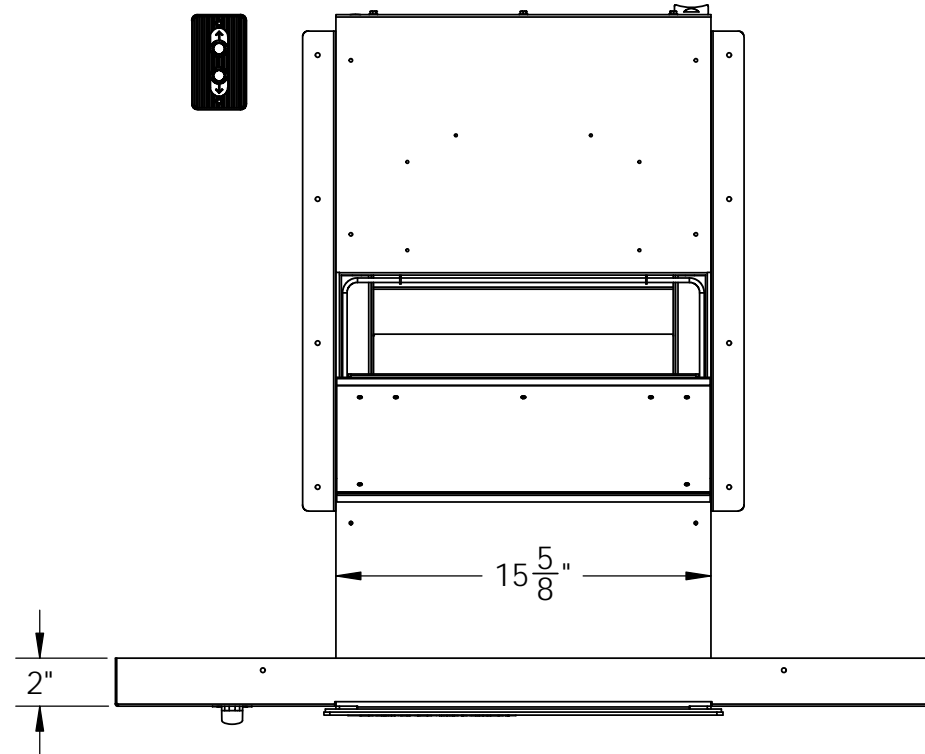


201 GRANDIN RD.
MAINEVILLE, OH 45039
T: 513.677.0500
F: 513.677.0552
WWW.BAVIS.COM

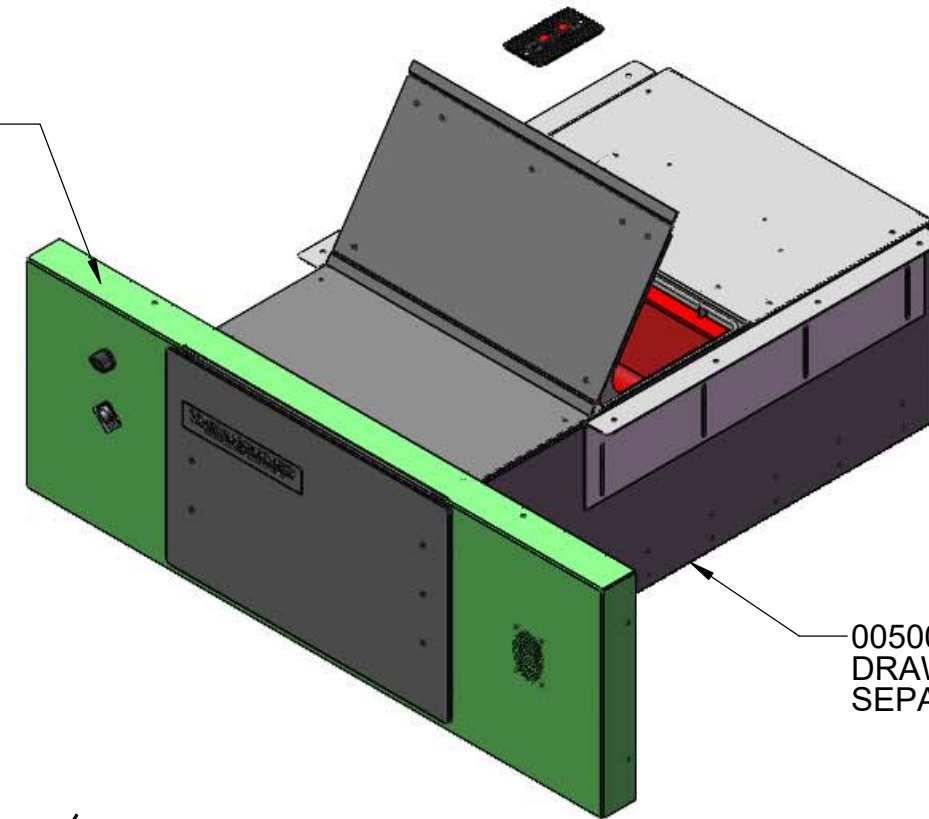
SIGNATURES		DATE	TITLE
DRAWN MJC		12/02/14	BAVSONIC SS TD AUDIO PANEL FOR USE WITH NEW AUDIO
CHECKED			
ENGR.			
DIMENSIONS ARE IN INCHES		TOLERANCE UNLESS OTHERWISE NOTED:	
UNLESS OTHERWISE SPECIFIED		DECIMAL ± N/A	
ECN 6391		FRACTION ± 1/32	
		ANGULAR ± N/A	

SIZE	DRAWING NO.	SHEET	OF
B	24032991	1	1

DATE	ECN	REVISION RECORD	DR	CK
01/18/19	19680	REPLACE SPEAKER & REMOVE BACKBOX	MC	DL

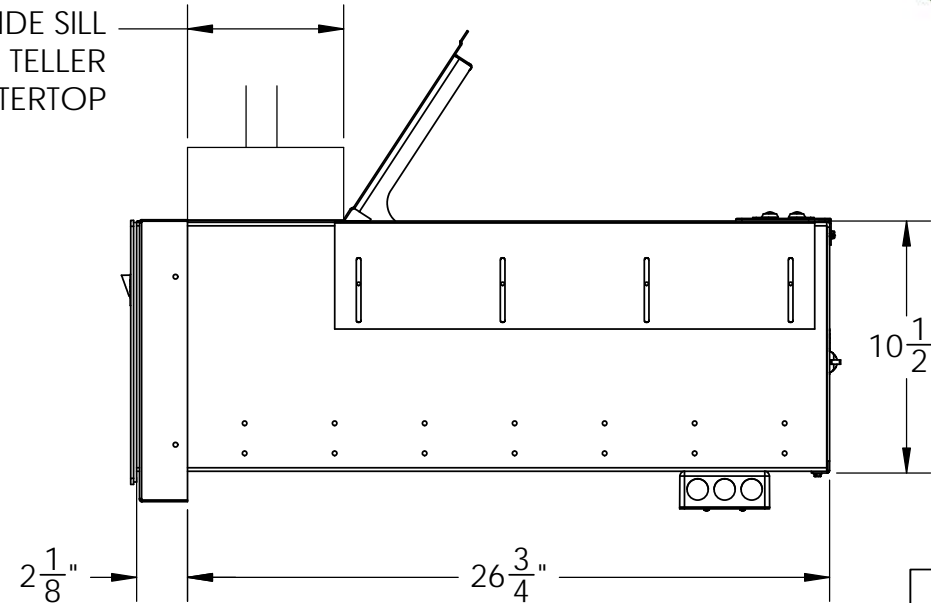
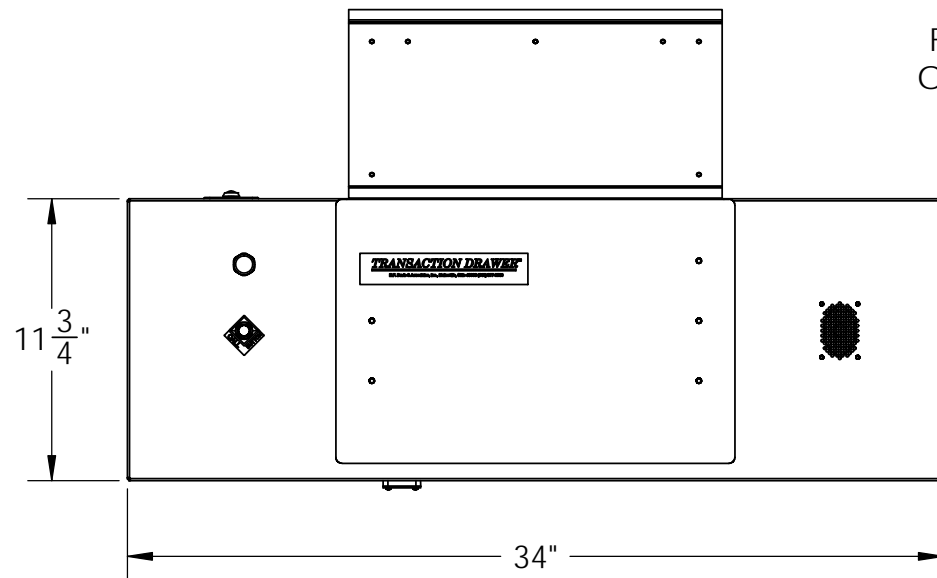


24037993 bAVSONIC
34in TD AUDIO PANEL



00500993 TRANSACTION
DRAWER (SOLD
SEPARATELY)

6 1/2" FROM OUTSIDE WALL
SURFACE TO INSIDE SILL
FACE OR START OF TELLER
OPENING IN COUNTERTOP



MATERIAL: 16 GA. GALVANNEALED STEEL WITH TEXTURED BLACK POWDERCOAT FINISH.
MODEL 00500993 TRANSACTION DRAWER WITH OPERATOR SWITCH IS NOT INCLUDED IN THIS KIT.
ALL DIMENSIONS AND APPEARANCE ARE SUBJECT TO CHANGE WITHOUT NOTICE.

PROPRIETARY

THIS DOCUMENTATION AND INFORMATION CONTAINED ARE THE SOLE PROPERTY OF E.F. BAVIS & ASSOC., INC. IT SHALL BE RETURNED UPON REQUEST AND SHALL NOT BE REPRODUCED IN WHOLE OR IN PART, OR DISCLOSED TO ANYONE ELSE, OR USED, WITHOUT WRITTEN CONSENT OF E.F. BAVIS & ASSOC., INC.



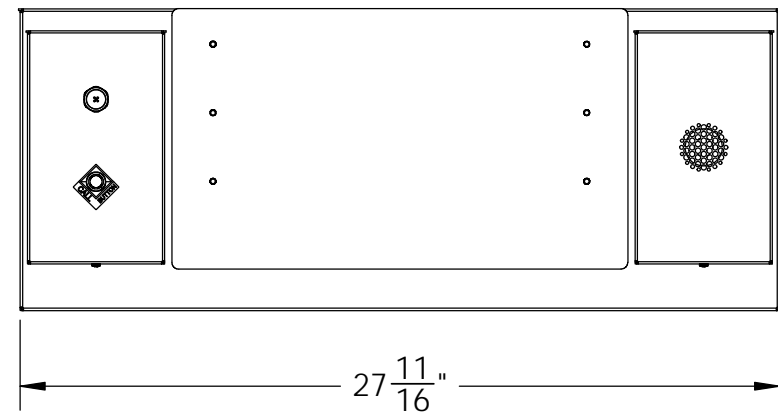
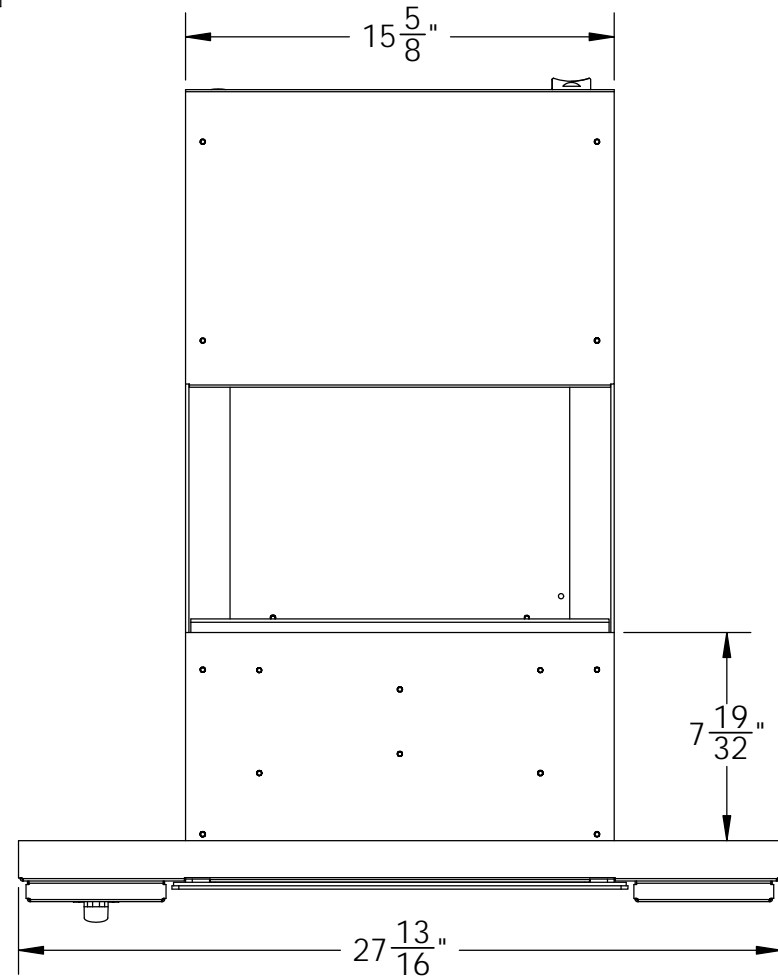
201 GRANDIN RD.
MAINEVILLE, OH 45039
T: 513.677.0500
F: 513.677.0552
WWW.BAVIS.COM

SIGNATURES		DATE	TITLE
DRAWN		MJC	07/27/11
CHECKED			
ENGR.			
DIMENSIONS ARE IN INCHES		TOLERANCE UNLESS OTHERWISE NOTED:	
UNLESS OTHERWISE SPECIFIED		DECIMAL ±	N/A
ECN		FRACTION ±	1/32
11943		ANGULAR ±	N/A

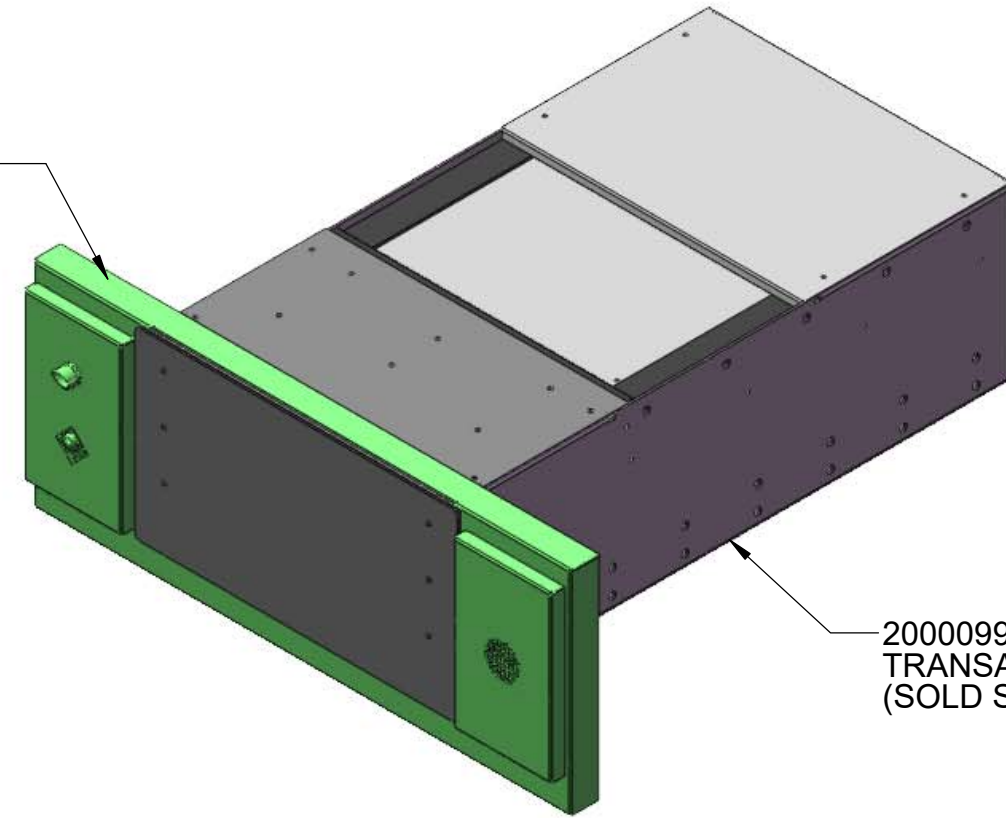
SIZE **B**

DRAWING NO. **24037993**

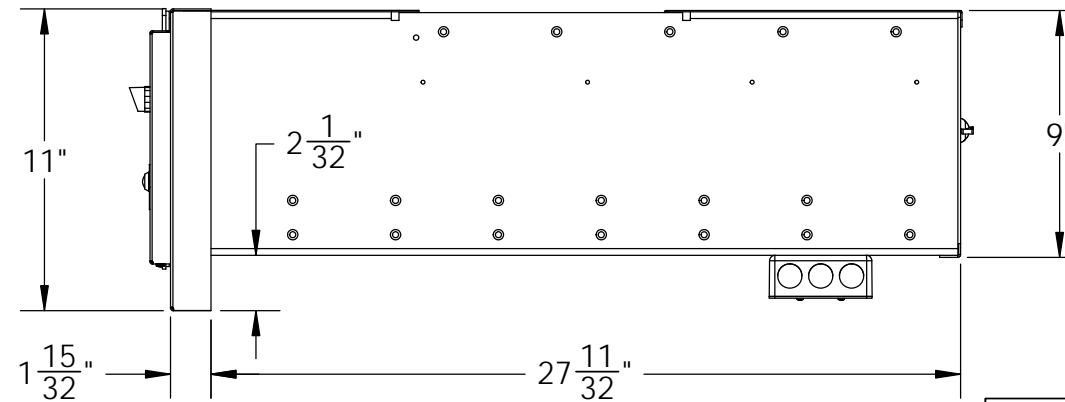
SHEET 1 OF 1



24037994 SD SS AUDIO PANEL ASSEMBLY



20000991 SMALL TRANSACTION DRAWER (SOLD SEPARATELY)



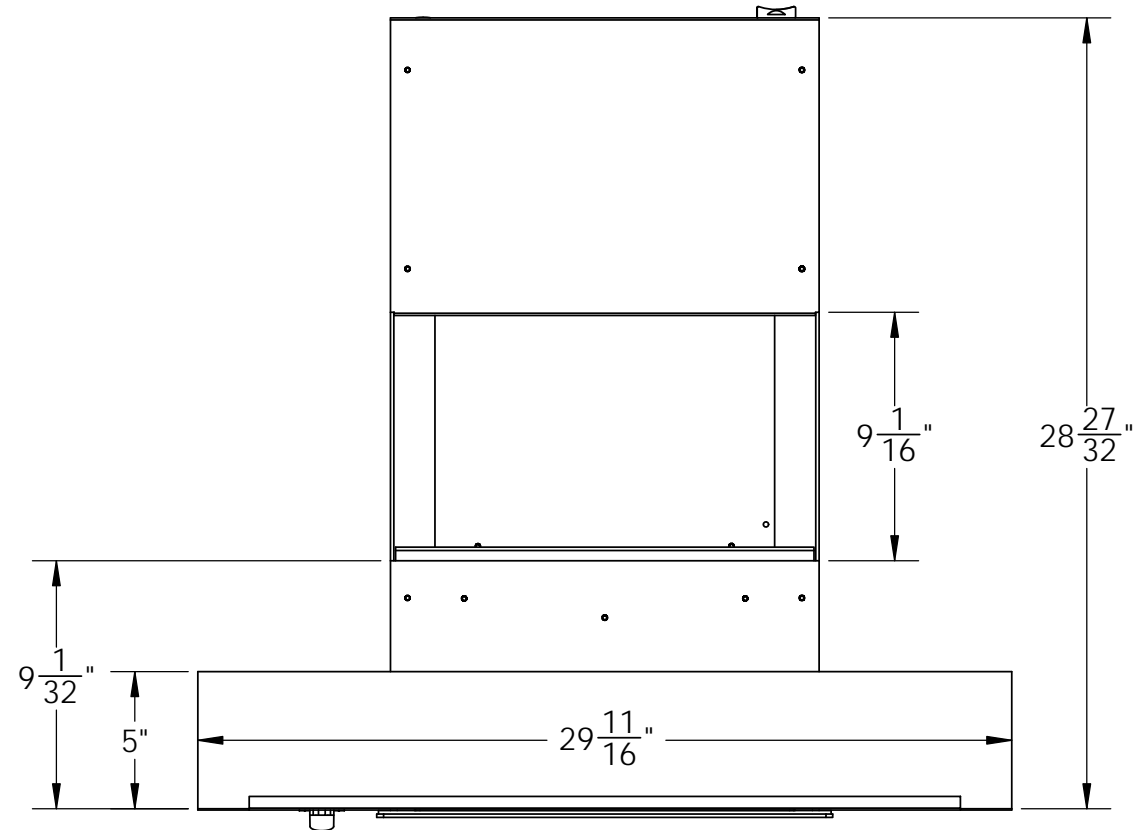
MATERIAL: 18 GA. STAINLESS STEEL WITH #4 FINISH (CONTACT FACTORY FOR OTHER FINISHES).
 MODEL 20000991 TRANSACTION DRAWER WITH OPERATOR SWITCH IS NOT INCLUDED IN THIS KIT.
 ALL DIMENSIONS AND APPEARANCE ARE SUBJECT TO CHANGE WITHOUT NOTICE.

PROPRIETARY
 THIS DOCUMENTATION AND INFORMATION CONTAINED ARE THE SOLE PROPERTY OF E.F.BAVIS & ASSOC., INC. IT SHALL BE RETURNED UPON REQUEST AND SHALL NOT BE REPRODUCED IN WHOLE OR IN PART, OR DISCLOSED TO ANYONE ELSE, OR USED, WITHOUT WRITTEN CONSENT OF E.F. BAVIS & ASSOC., INC.

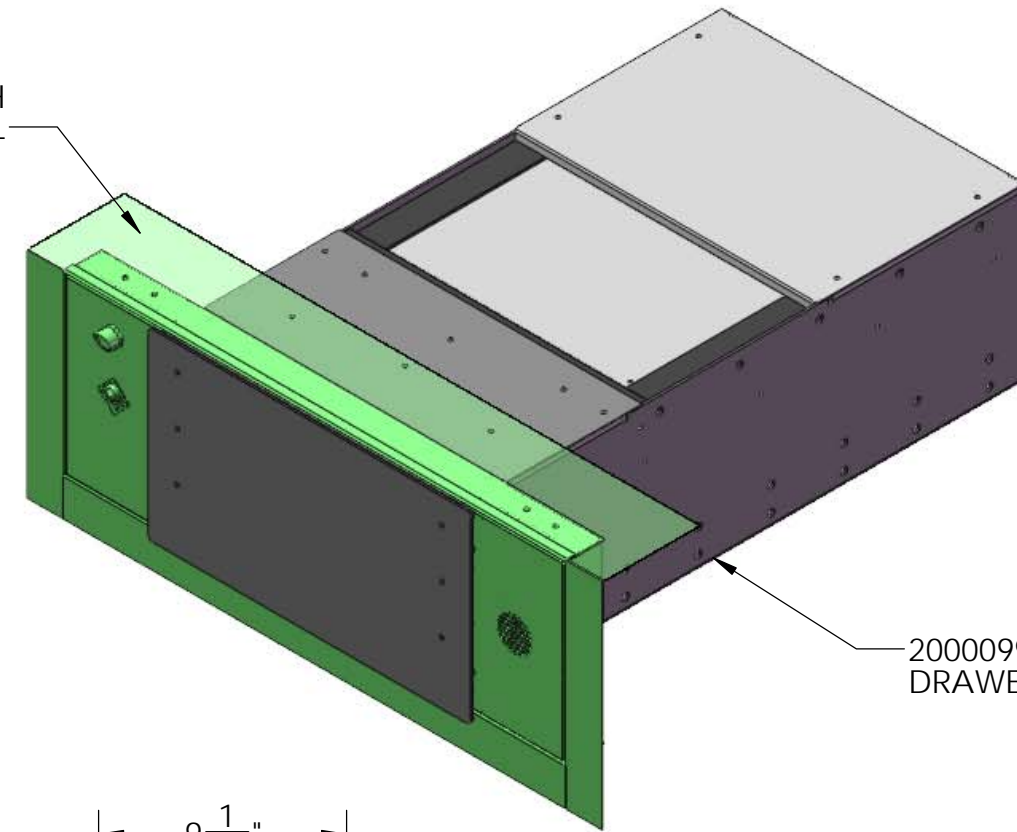
SIGNATURES		DATE	TITLE
DRAWN	MJC	07/18/12	SD SS AUDIO PANEL ASSEMBLY
CHECKED	DAL	07/18/12	
ENGR.			
DIMENSIONS ARE IN INCHES	TOLERANCE UNLESS OTHERWISE NOTED:		
UNLESS OTHERWISE SPECIFIED	DECIMAL ±	N/A	
	FRACTION ±	1/32	
ECN	12202	ANGULAR ±	N/A
SIZE	B	DRAWING NO.	24037994
		SHEET	1
		OF	1

24049988

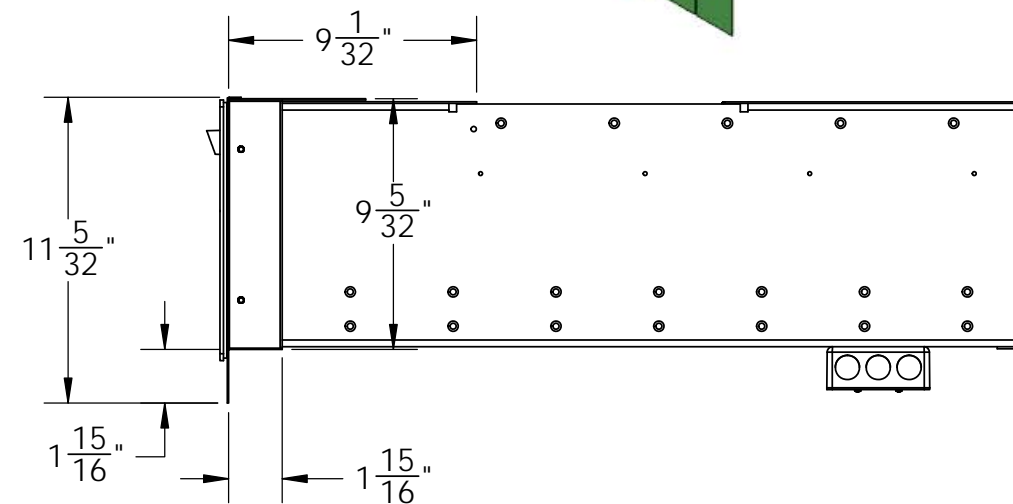
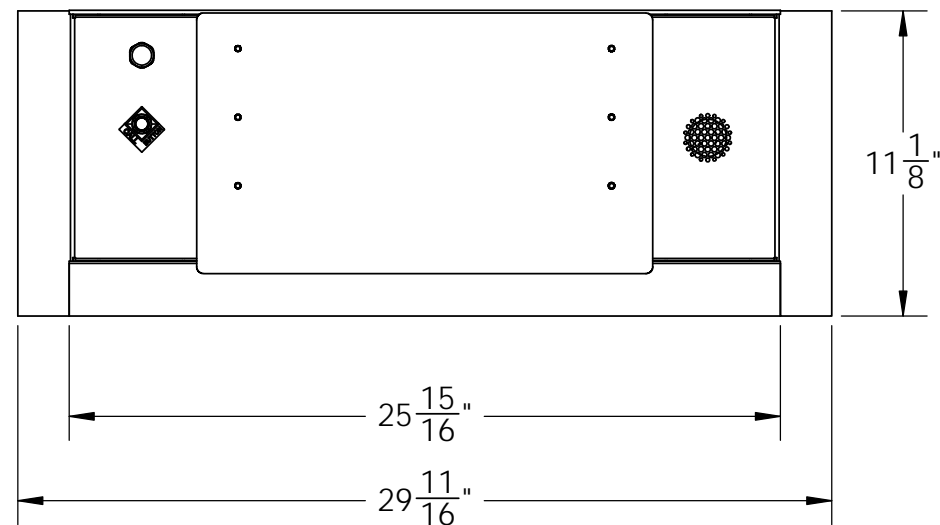
DATE	ECN	REVISION RECORD	DR	CK
01/18/19	19683	REPLACE SPEAKER & REMOVE BACKBOX	MC	DL
11/08/20	21590	CHANGE 2x3 SPEAKER TO 50mm SPEAKER	MC	DM



24049988 SD SS FLUSH AUDIO PANEL



20000991 SMALL TRANSACTION DRAWER (SOLD SEPARATELY)




MATERIAL: 18 GA STAINLESS STEEL WITH #4 FINISH, (CONTACT FACTORY FOR OTHER FINISHES).

MODEL 20000991 SMALL REPLACEMENT TRANSACTION DRAWER WITH OPERATOR SWITCH IS NOT INCLUDED IN THIS KIT.

ALL DIMENSIONS AND APPEARANCES ARE SUBJECT TO CHANGE WITHOUT NOTICE.

PROPRIETARY

THIS DOCUMENTATION AND INFORMATION CONTAINED ARE THE SOLE PROPERTY OF E.F.BAVIS & ASSOC., INC. IT SHALL BE RETURNED UPON REQUEST AND SHALL NOT BE REPRODUCED IN WHOLE OR IN PART, OR DISCLOSED TO ANYONE ELSE, OR USED, WITHOUT WRITTEN CONSENT OF E.F. BAVIS & ASSOC., INC.



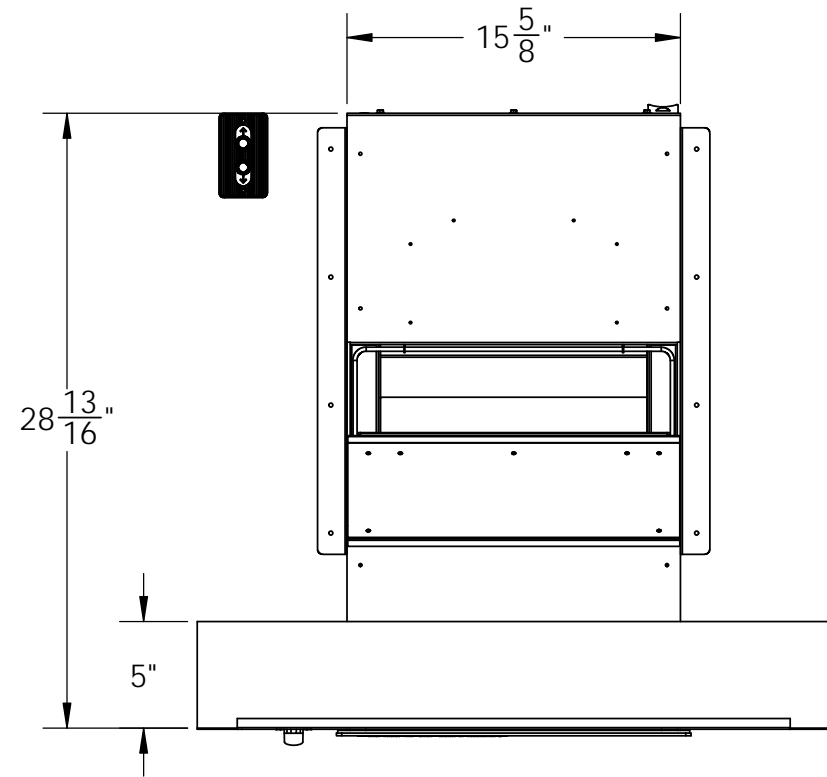
201 GRANDIN RD.
MAINEVILLE, OH 45039
T: 513.677.0500
F: 513.677.0552
WWW.BAVIS.COM

SIGNATURES		DATE	TITLE
DRAWN	MJC	08/19/14	SD SS FLUSH AUDIO PANEL SHOWN WITH MODEL 20000991 DRAWER
CHECKED	DAM	08/19/14	
ENGR.			
DIMENSIONS ARE IN INCHES		TOLERANCE UNLESS OTHERWISE NOTED:	
UNLESS OTHERWISE SPECIFIED		DECIMAL ±	N/A
ECN		FRACTION ±	1/32
15613		ANGULAR ±	N/A

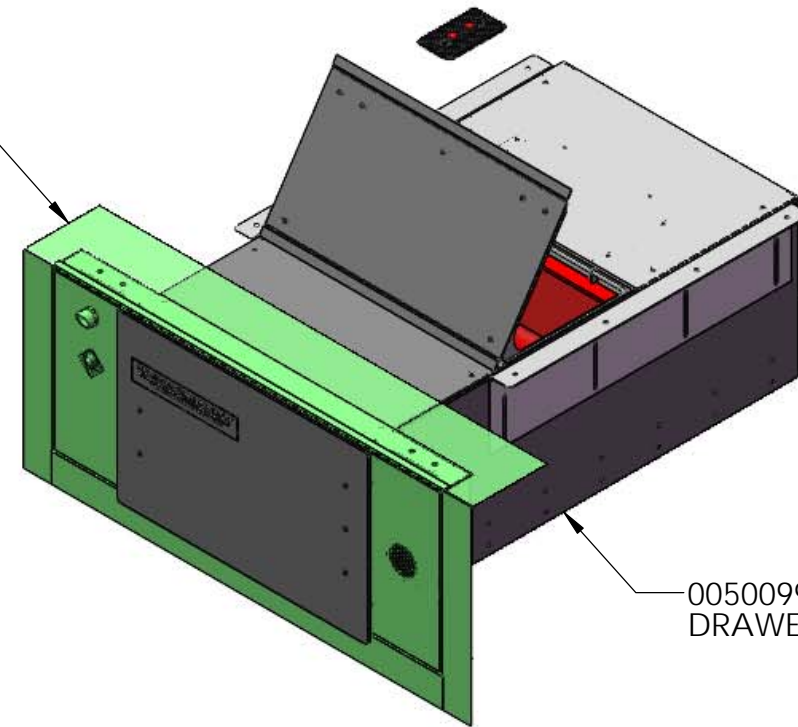
SIZE	DRAWING NO.	SHEET	OF
B	24049988	2	6

24049991

DATE	ECN	REVISION RECORD	DR	CK
01/17/19	19684	REPLACE SPEAKER & REMOVE BACKBOX	MC	DL
09/25/20	21497	CHANGE FROM 2x3 TO 50mm SPEAKER	MC	DM

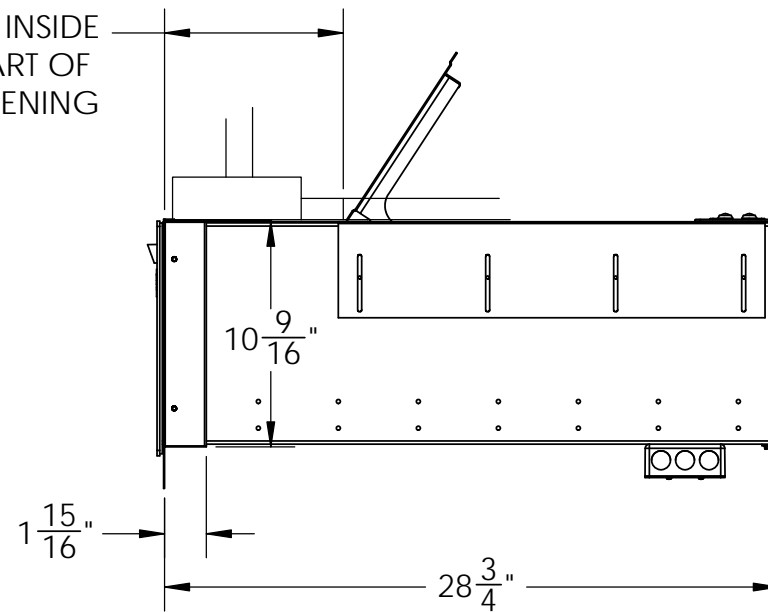
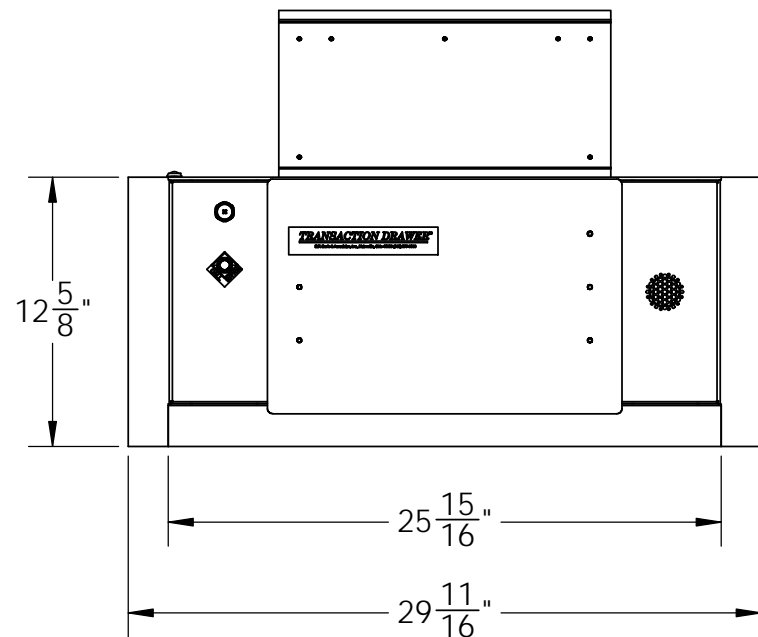


24049991 SS FLUSH AUDIO PANEL



00500993 TRANSACTION DRAWER (SOLD SEPARATELY)

8 3/8" MAX FROM OUTSIDE WALL SURFACE TO INSIDE SILL FACE OR START OF COUNTER TOP OPENING



MATERIAL: 18 GA. STAINLESS STEEL WITH #4 FINISH (CONTACT FACTORY FOR OTHER FINISHES).
 MODEL 00500993 TRANSACTION DRAWER WITH OPERATOR SWITCH IS NOT INCLUDED IN THIS KIT.
 ALL DIMENSIONS AND APPEARANCE ARE SUBJECT TO CHANGE WITHOUT NOTICE.

PROPRIETARY

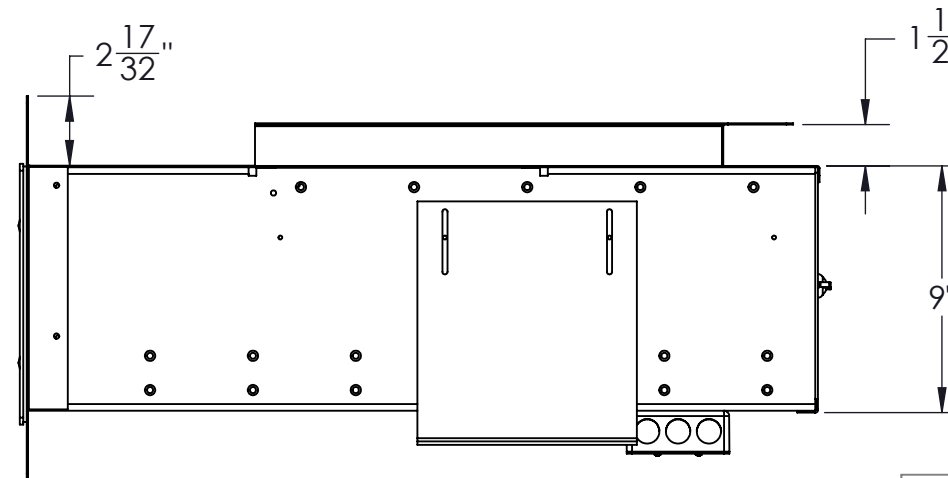
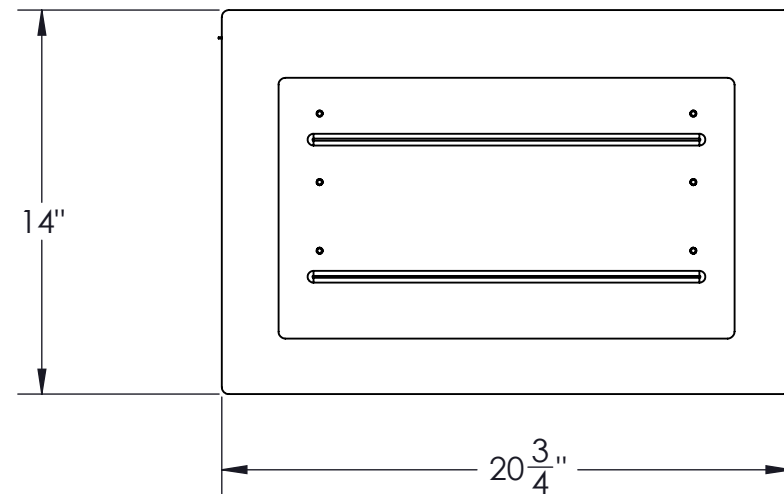
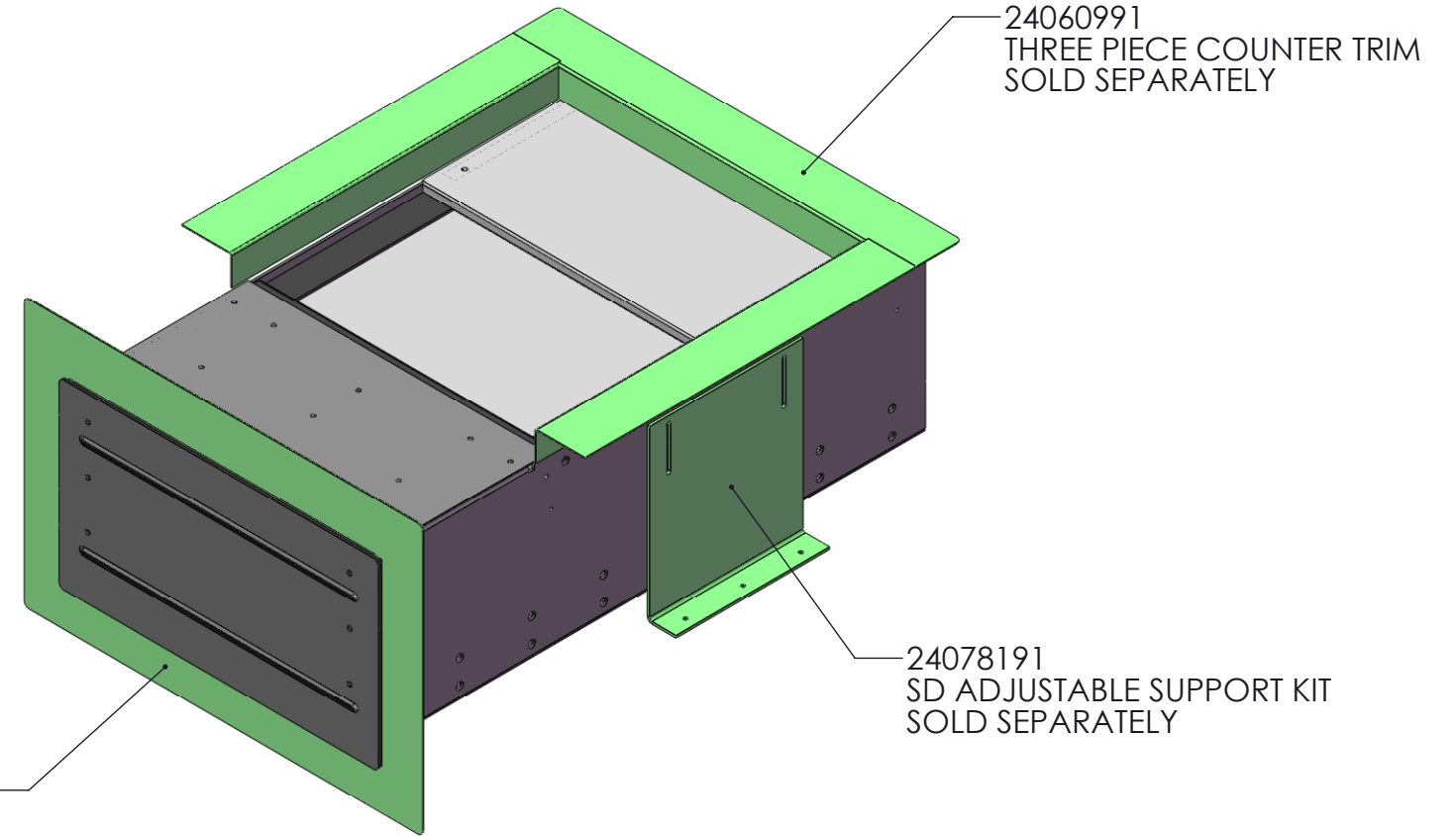
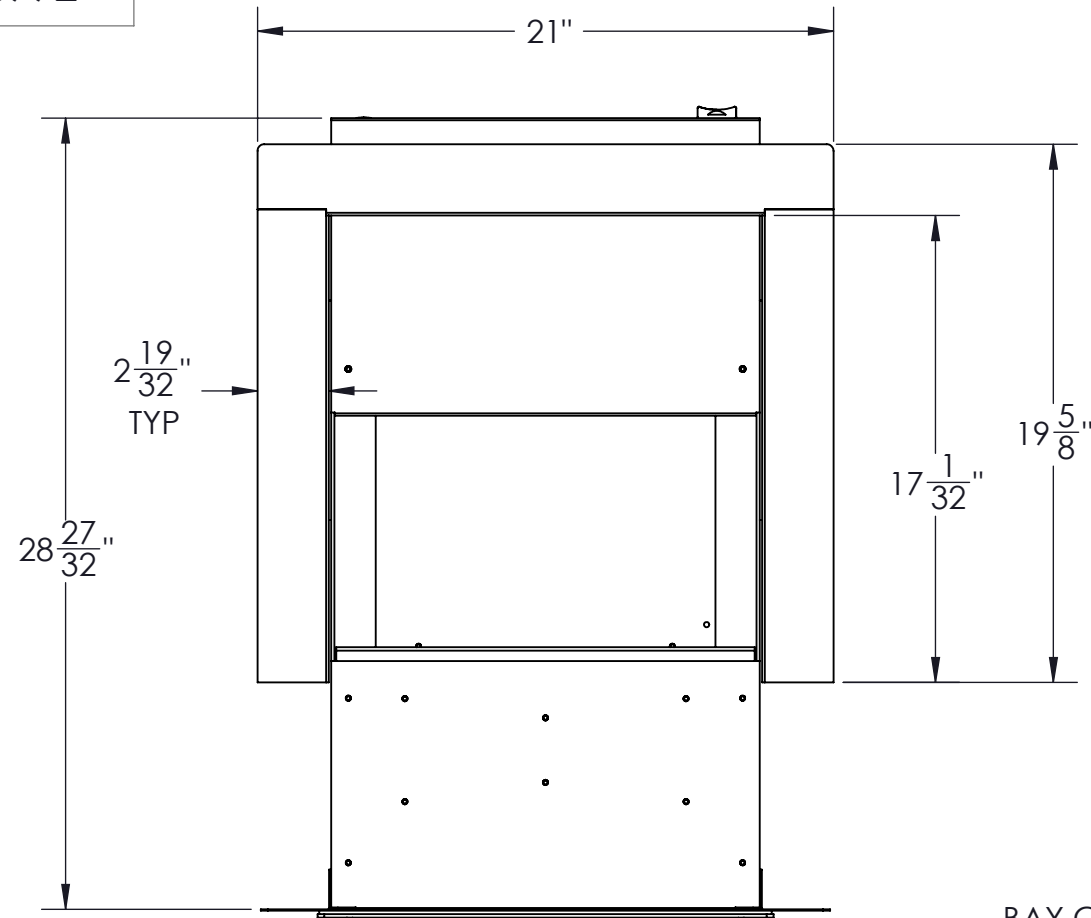
THIS DOCUMENTATION AND INFORMATION CONTAINED ARE THE SOLE PROPERTY OF E.F.BAVIS & ASSOC., INC. IT SHALL BE RETURNED UPON REQUEST AND SHALL NOT BE REPRODUCED IN WHOLE OR IN PART, OR DISCLOSED TO ANYONE ELSE, OR USED, WITHOUT WRITTEN CONSENT OF E.F. BAVIS & ASSOC., INC.



201 GRANDIN RD.
 MAINEVILLE, OH 45039
 T: 513.677.0500
 F: 513.677.0552
 WWW.BAVIS.COM

SIGNATURES		DATE	TITLE
DRAWN MJC		01/09/12	SS FLUSH AUDIO PANEL
CHECKED			
ENGR.			
DIMENSIONS ARE IN INCHES		TOLERANCE UNLESS OTHERWISE NOTED:	
UNLESS OTHERWISE SPECIFIED		DECIMAL ± N/A	
ECN 8086		FRACTION ± 1/32	
		ANGULAR ± N/A	

SIZE	DRAWING NO.	SHEET	OF
B	24049991	1	7



REPLACES LEFEBURE BK 6600 DRAWER


MATERIAL: 18 GA. STAINLESS STEEL WITH #4 FINISH (CONTACT FACTORY FOR OTHER FINISHES).

MODEL 20000991 TRANSACTION DRAWER WITH OPERATOR SWITCH IS NOT INCLUDED IN THIS KIT.

ALL DIMENSIONS AND APPEARANCE ARE SUBJECT TO CHANGE WITHOUT NOTICE.

PROPRIETARY

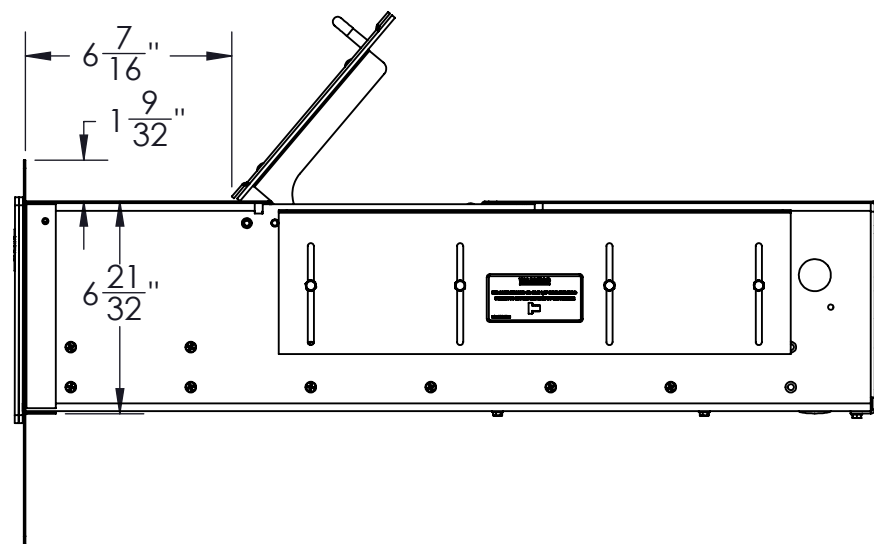
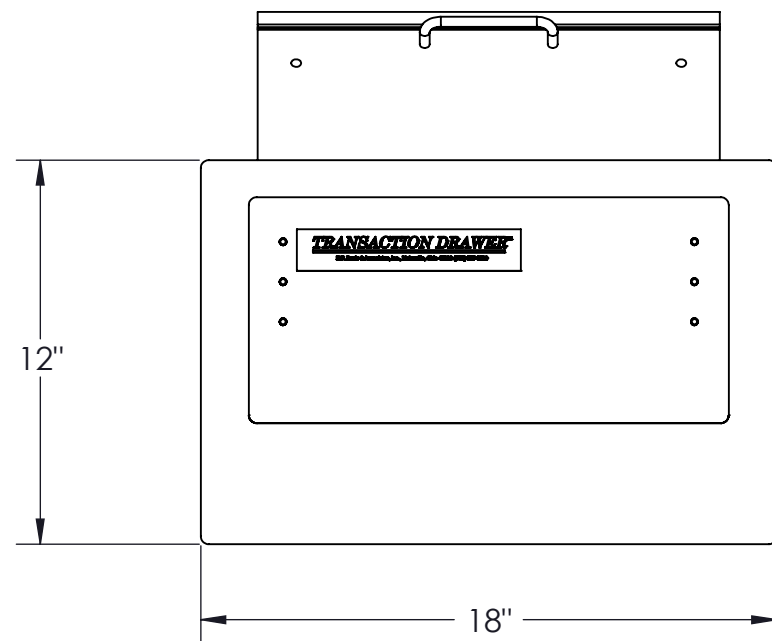
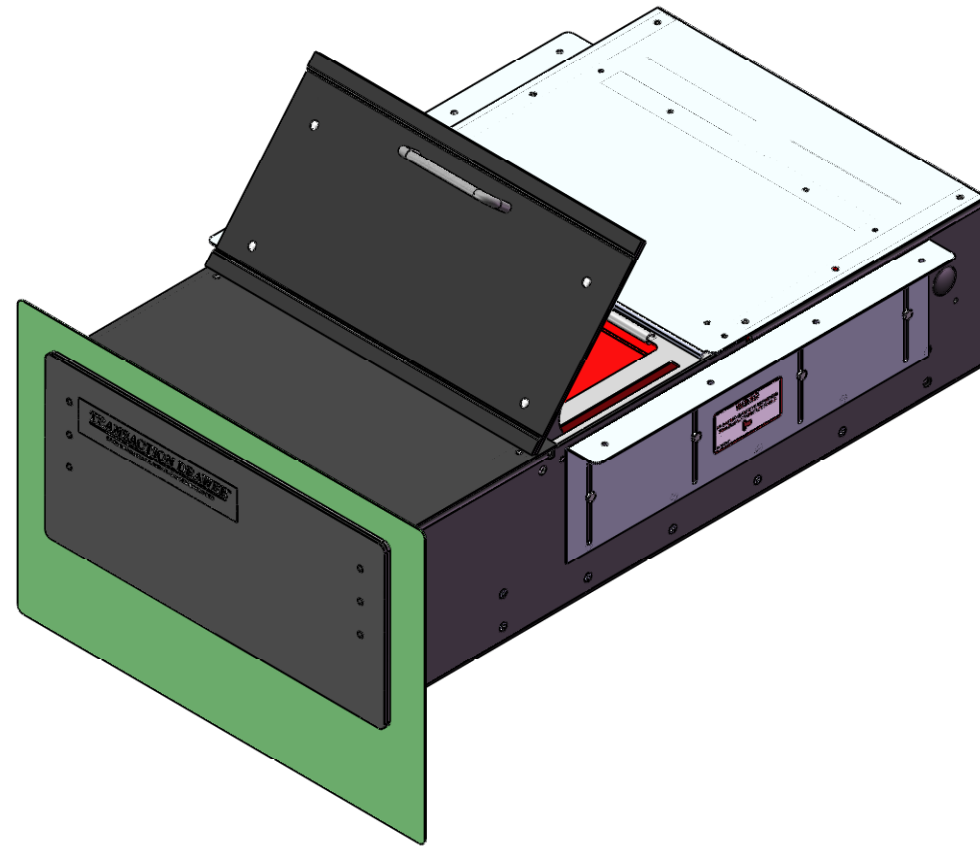
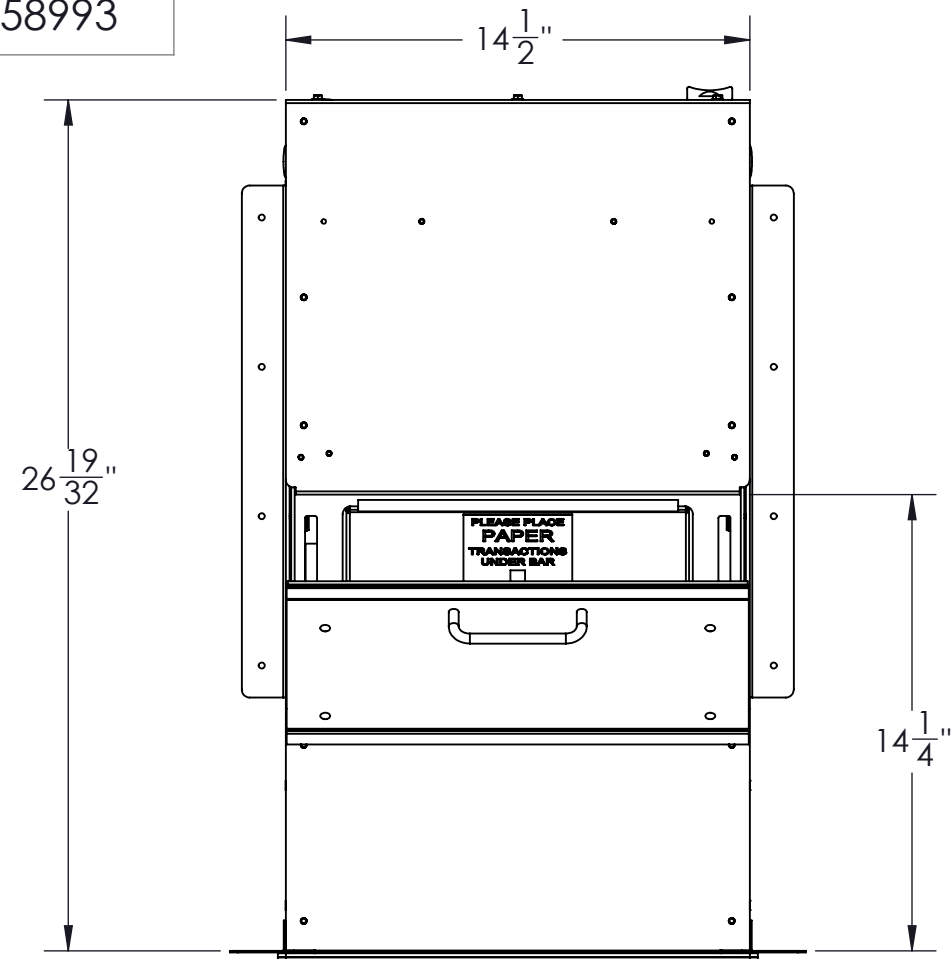
THIS DOCUMENTATION AND INFORMATION CONTAINED ARE THE SOLE PROPERTY OF E.F. BAVIS & ASSOC., INC. IT SHALL BE RETURNED UPON REQUEST AND SHALL NOT BE REPRODUCED IN WHOLE OR IN PART, OR DISCLOSED TO ANYONE ELSE, OR USED, WITHOUT WRITTEN CONSENT OF E.F. BAVIS & ASSOC., INC.



201 GRANDIN RD.
MAINEVILLE, OH 45039
T: 513.677.0500
F: 513.677.0552
WWW.BAVIS.COM

SIGNATURES		DATE	TITLE
DRAWN CLM		05/26/09	LEFEBURE BAY CUST TRIM LEFEBURE BK6600
CHECKED			SHOWN WITH 3pc TRIM, SD ADJUSTABLE SUPPORTS & 20000991 DRAWER
ENGR.			
DIMENSIONS ARE IN INCHES		TOLERANCE UNLESS OTHERWISE NOTED:	
UNLESS OTHERWISE SPECIFIED		DECIMAL ± N/A	
ECN 10676		FRACTION ± 1/32	SIZE B
		ANGULAR ± N/A	DRAWING NO. 24058992
			SHEET 1 OF 1


24058993



MATERIAL: 18 GA. STAINLESS STEEL WITH #4 FINISH (CONTACT FACTORY FOR OTHER FINISHES).
 MODEL 30000991 TRANSACTION DRAWER IS NOT INCLUDED IN THIS KIT.
 ALL DIMENSIONS AND APPEARANCE ARE SUBJECT TO CHANGE WITHOUT NOTICE.

PROPRIETARY

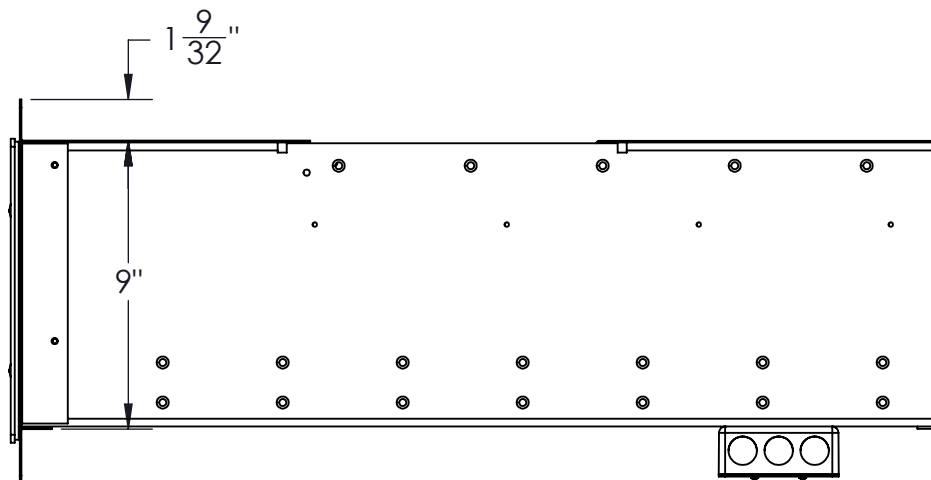
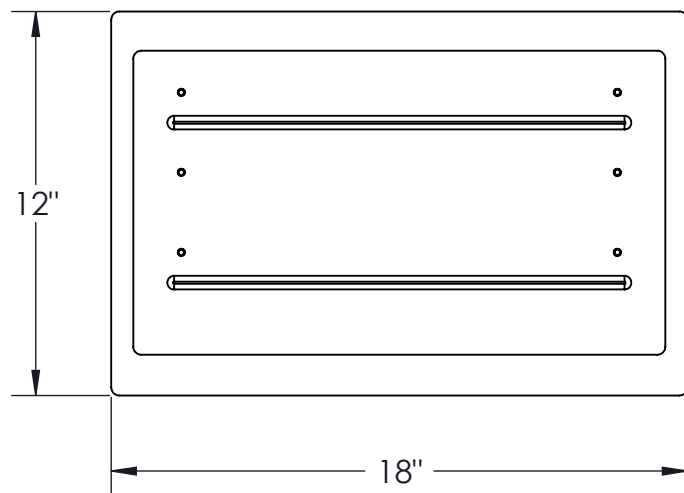
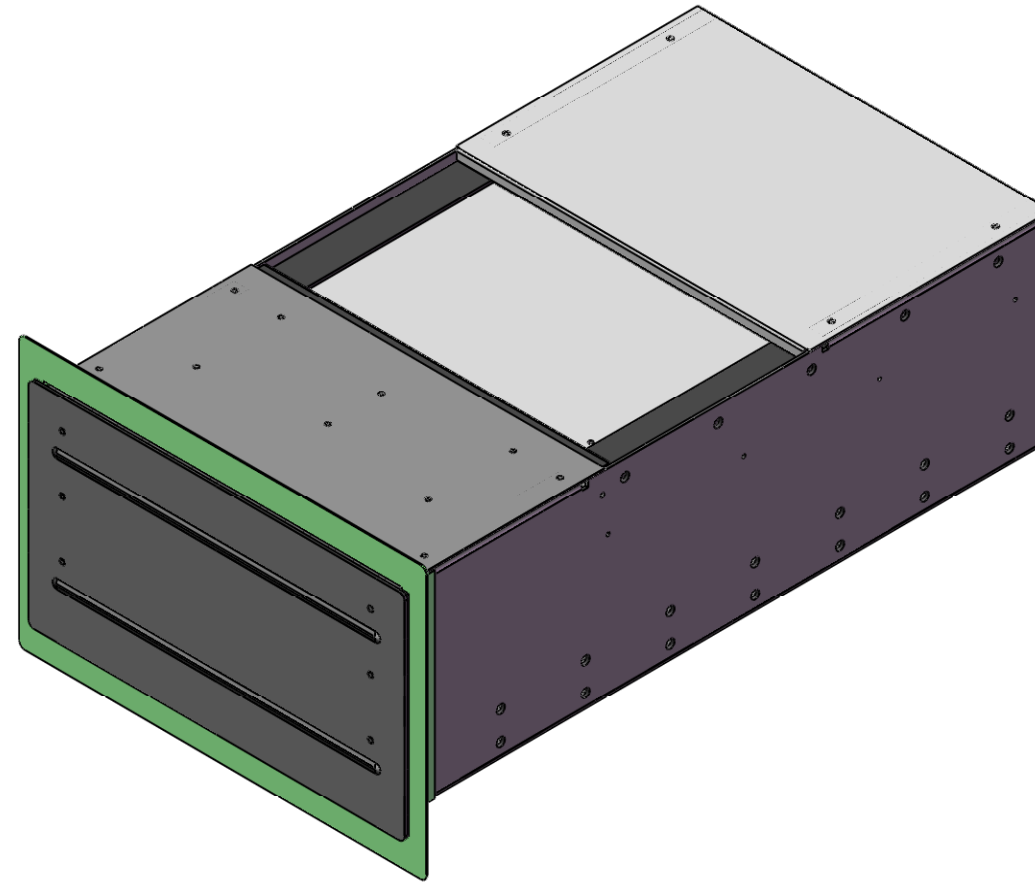
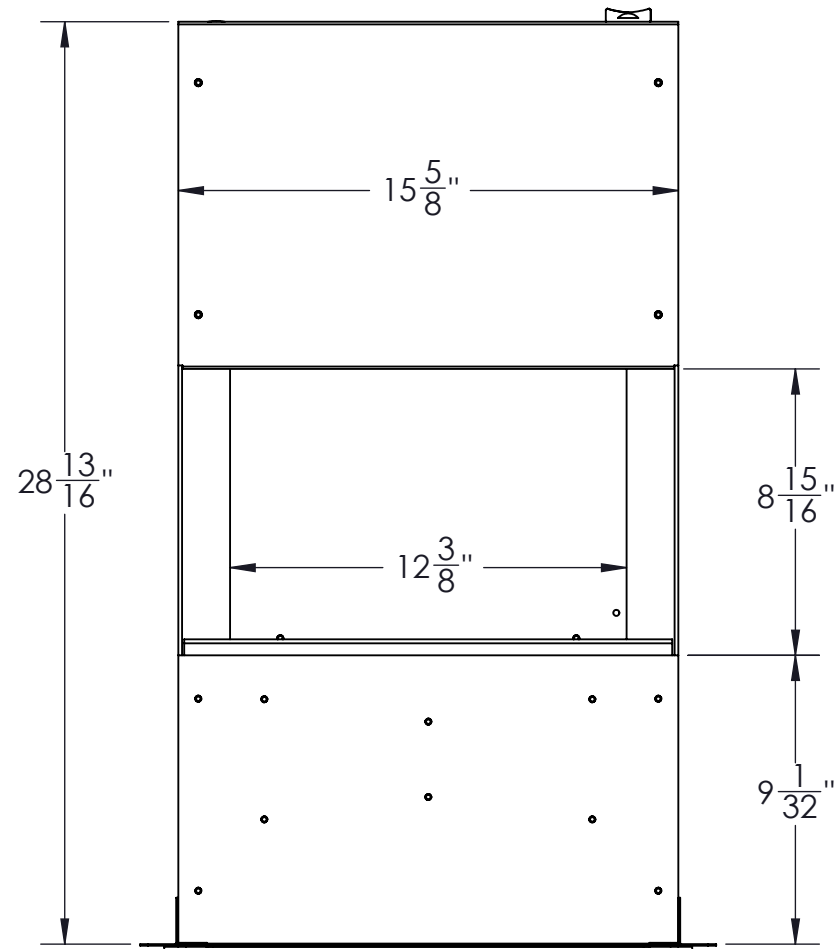
THIS DOCUMENTATION AND INFORMATION CONTAINED ARE THE SOLE PROPERTY OF E.F. BAVIS & ASSOC., INC. IT SHALL BE RETURNED UPON REQUEST AND SHALL NOT BE REPRODUCED IN WHOLE OR IN PART, OR DISCLOSED TO ANYONE ELSE, OR USED, WITHOUT WRITTEN CONSENT OF E.F. BAVIS & ASSOC., INC.



201 GRANDIN RD.
 MAINEVILLE, OH 45039
 T: 513.677.0500
 F: 513.677.0552
 WWW.BAVIS.COM

SIGNATURES	DATE	TITLE
DRAWN: MJC	01/10/14	TDR BAY CUSTOMER TRIM FOR USE WITH XSD
CHECKED:		
ENGR.:		
DIMENSIONS ARE IN INCHES	TOLERANCE UNLESS OTHERWISE NOTED:	
UNLESS OTHERWISE SPECIFIED	DECIMAL ± N/A	
	FRACTION ± 1/32	
ECN: 15109	ANGULAR ± N/A	SIZE: B

DRAWING NO. **24058993** SHEET 2 OF 2



MATERIAL: 18 GA. STAINLESS STEEL WITH #4 FINISH (CONTACT FACTORY FOR OTHER FINISHES).

MODEL 20000991 TRANSACTION DRAWER IS NOT INCLUDED IN THIS KIT.

ALL DIMENSIONS AND APPEARANCE ARE SUBJECT TO CHANGE WITHOUT NOTICE.

PROPRIETARY

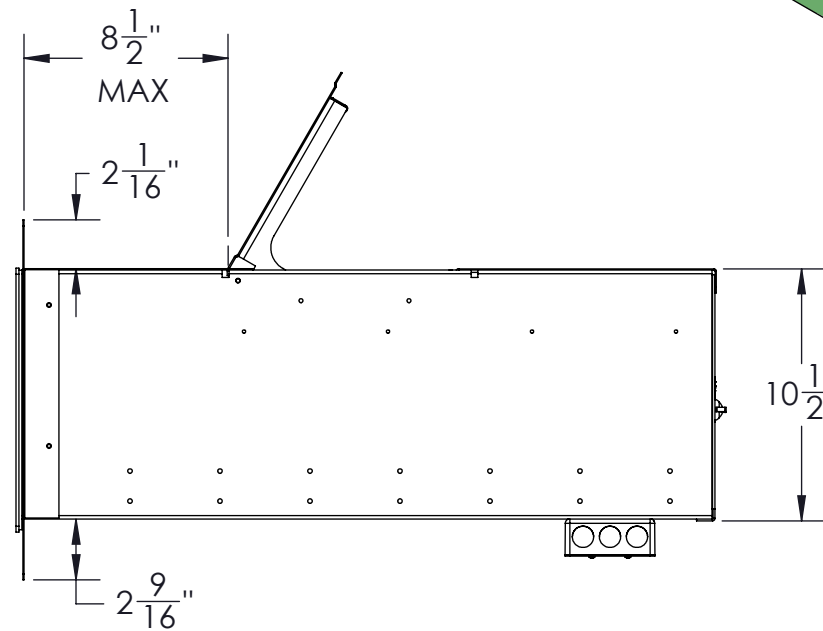
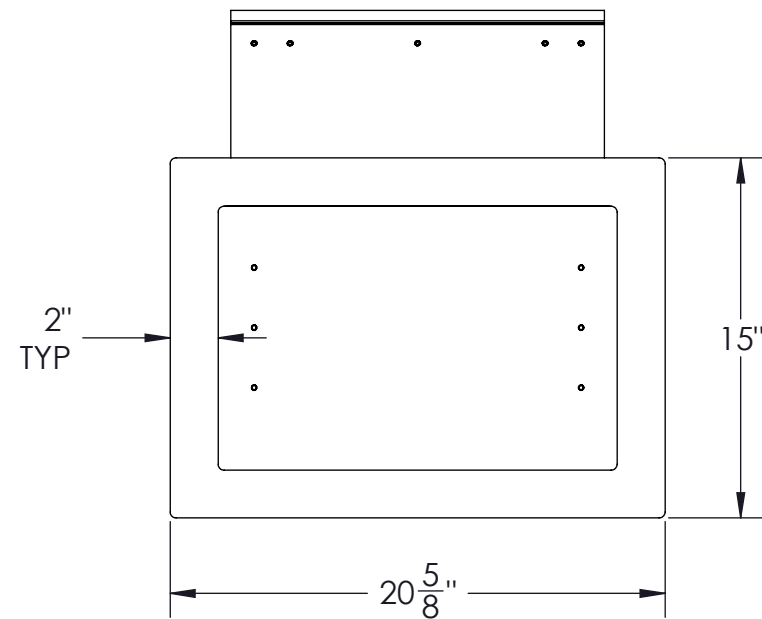
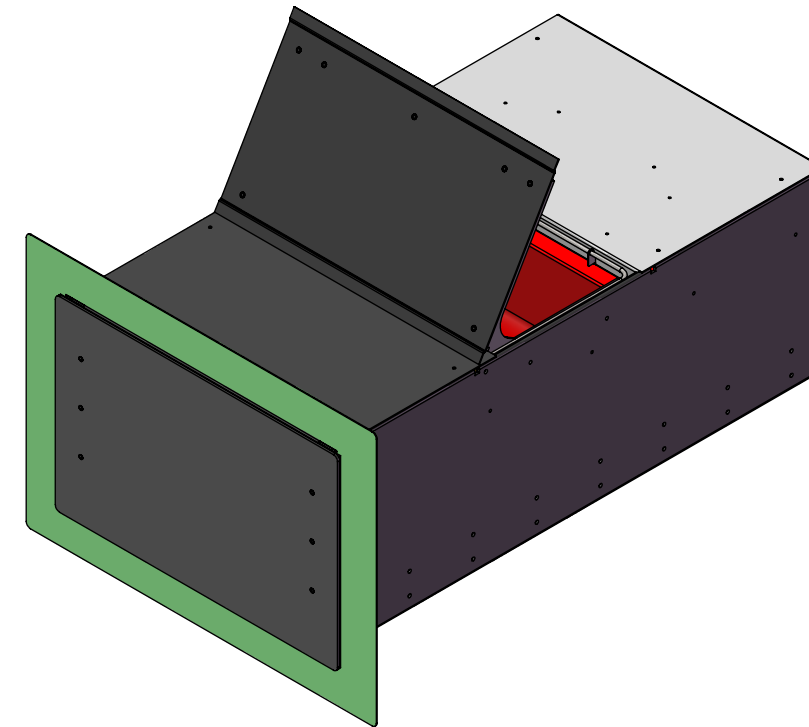
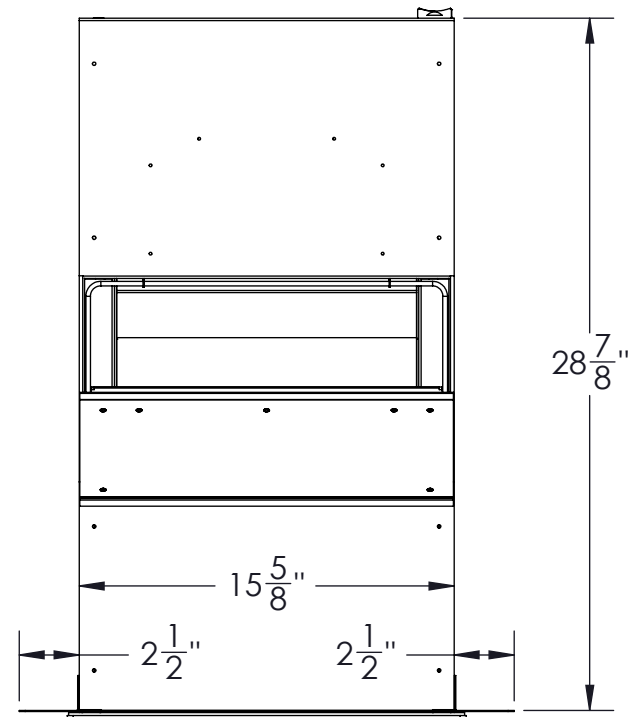
THIS DOCUMENTATION AND INFORMATION CONTAINED ARE THE SOLE PROPERTY OF E.F. BAVIS & ASSOC., INC. IT SHALL BE RETURNED UPON REQUEST AND SHALL NOT BE REPRODUCED IN WHOLE OR IN PART, OR DISCLOSED TO ANYONE ELSE, OR USED, WITHOUT WRITTEN CONSENT OF E.F. BAVIS & ASSOC., INC.



201 GRANDIN RD.
MAINEVILLE, OH 45039
T: 513.677.0500
F: 513.677.0552
WWW.BAVIS.COM

SIGNATURES	DATE	TITLE
DRAWN: MJC	01/21/14	TDR BAY CUSTOMER TRIM FOR USE WITH SD
CHECKED:		
ENGR.:		
DIMENSIONS ARE IN INCHES	TOLERANCE UNLESS OTHERWISE NOTED:	
UNLESS OTHERWISE SPECIFIED	DECIMAL ± N/A	FRACTION ± 1/32
ECN: 15108	ANGULAR ± N/A	SIZE: B

DRAWING NO. 24058994	SHEET 2 OF 2	Pg. 10
----------------------	--------------	--------



**MATERIAL: 18 GA STAINLESS STEEL #4 FINISH
BREAK ALL SHARP EDGES AND CORNERS**

MATERIAL: 18 GA. STAINLESS STEEL WITH #4 FINISH (CONTACT FACTORY FOR OTHER FINISHES).
MODEL 00500993 TRANSACTION DRAWER IS NOT INCLUDED IN THIS KIT.
ALL DIMENSIONS AND APPEARANCE ARE SUBJECT TO CHANGE WITHOUT NOTICE.

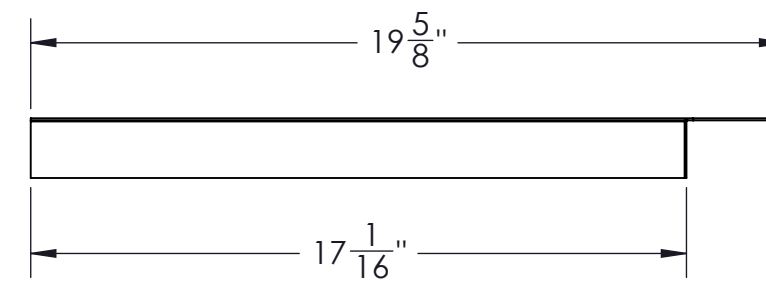
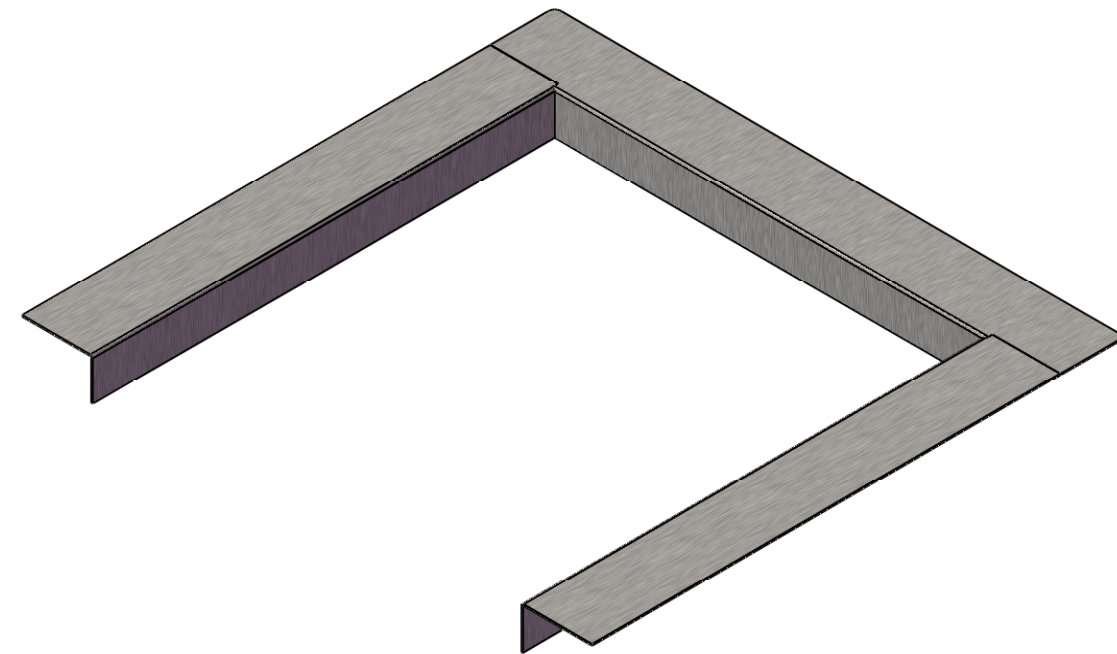
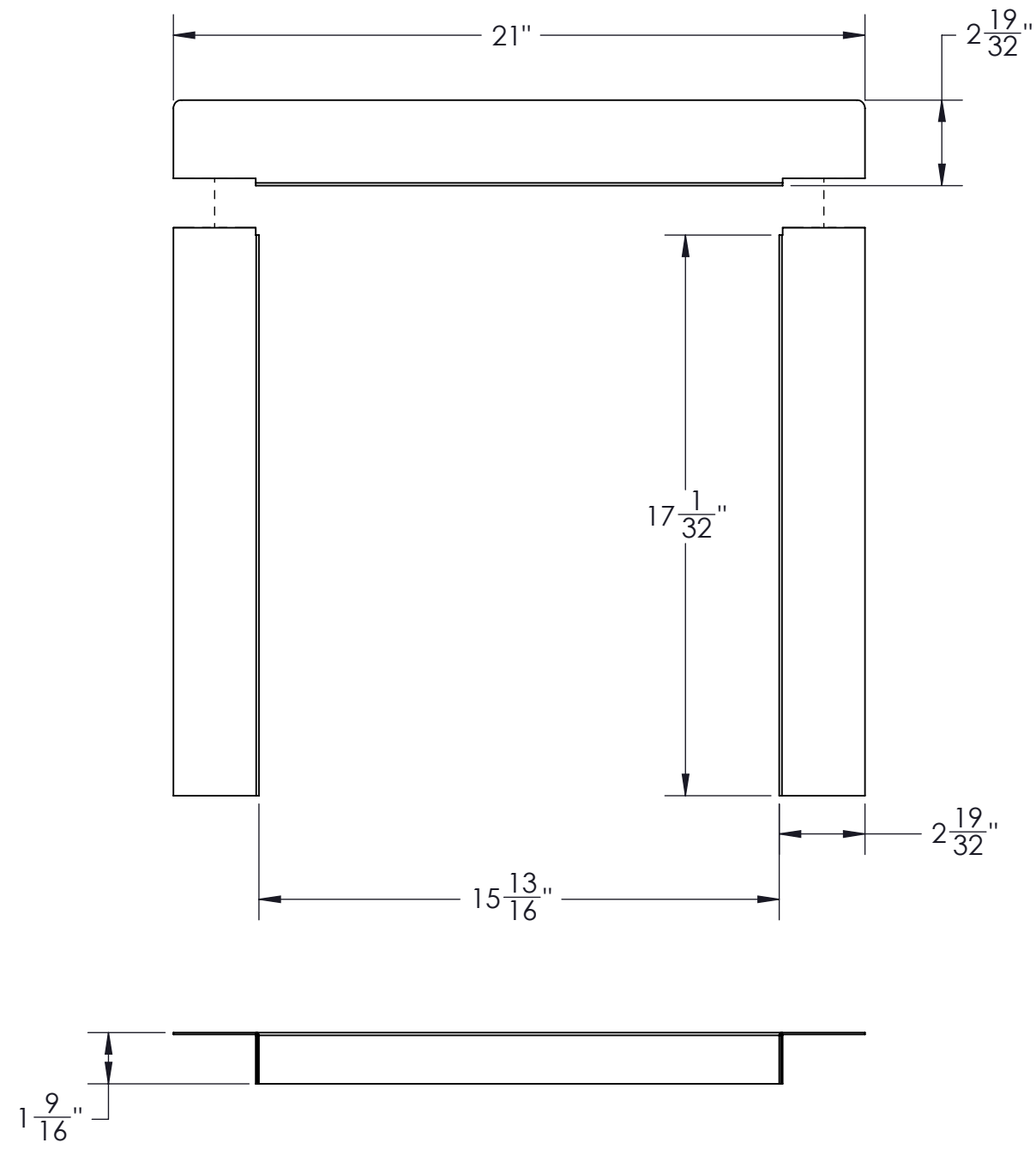
PROPRIETARY

THIS DOCUMENTATION AND INFORMATION CONTAINED ARE THE SOLE PROPERTY OF E.F.BAVIS & ASSOC., INC. IT SHALL BE RETURNED UPON REQUEST AND SHALL NOT BE REPRODUCED IN WHOLE OR IN PART, OR DISCLOSED TO ANYONE ELSE, OR USED, WITHOUT WRITTEN CONSENT OF E.F. BAVIS & ASSOC., INC.



201 GRANDIN RD.
MAINEVILLE, OH 45039
T: 513.677.0500
F: 513.677.0552
WWW.BAVIS.COM

<small>SIGNATURES</small>	<small>DATE</small>	<small>TITLE</small>
<small>DRAWN</small> MJC	06/02/17	TDR BAY CUSTOMER TRIM FOR USE WITH TD/MD
<small>CHECKED</small> DAM	06/02/17	
<small>ENGR.</small>		
<small>DIMENSIONS ARE IN INCHES</small>	<small>TOLERANCE UNLESS OTHERWISE NOTED:</small>	
<small>UNLESS OTHERWISE SPECIFIED</small>	DECIMAL ± 0.010	
<small>ECN</small> 18987	FRACTION ± N/A	<small>SIZE</small> B
	ANGULAR ± N/A	<small>DRAWING NO.</small> 24058995
		<small>SHEET</small> 1
		<small>OF</small> 1




MINIMUM OPENING WIDTH IS 16". MAXIMUM OPENING WIDTH IS 19".
(MINIMUM FLANGE TO COUNTERTOP OVERLAP IS 1".)

MATERIAL: 18 GA. STAINLESS STEEL WITH #4 FINISH (CONTACT FACTORY FOR OTHER FINISHES).

DIMENSIONS AND FINISH ARE SUBJECT TO CHANGE WITHOUT NOTICE.

PROPRIETARY

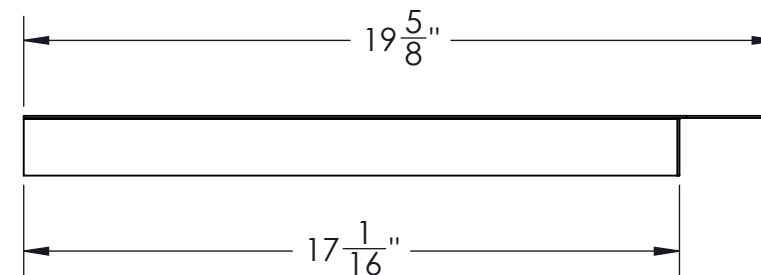
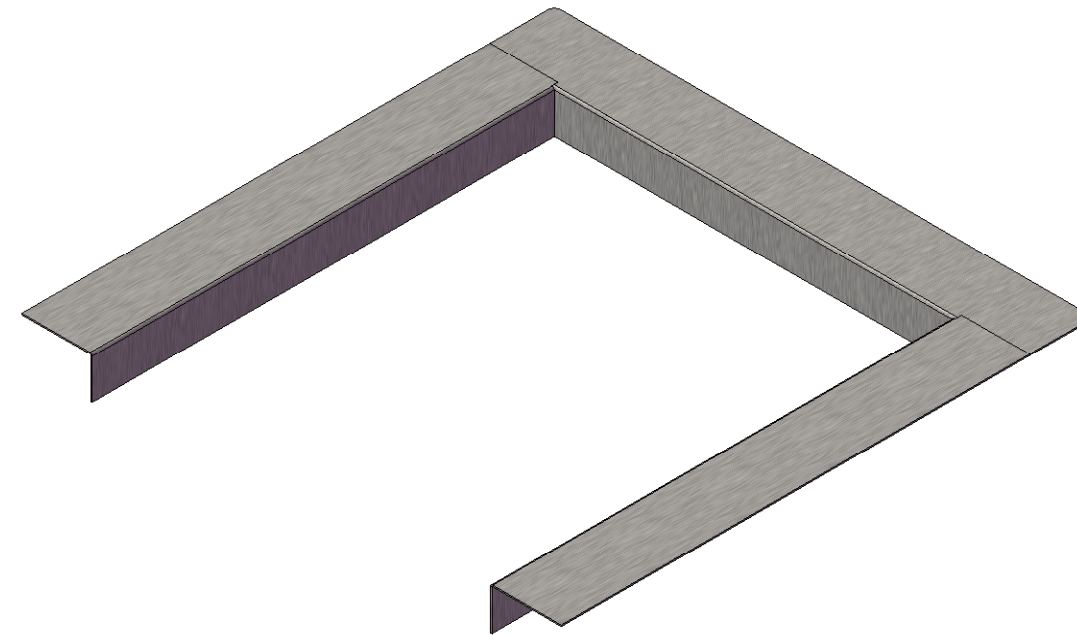
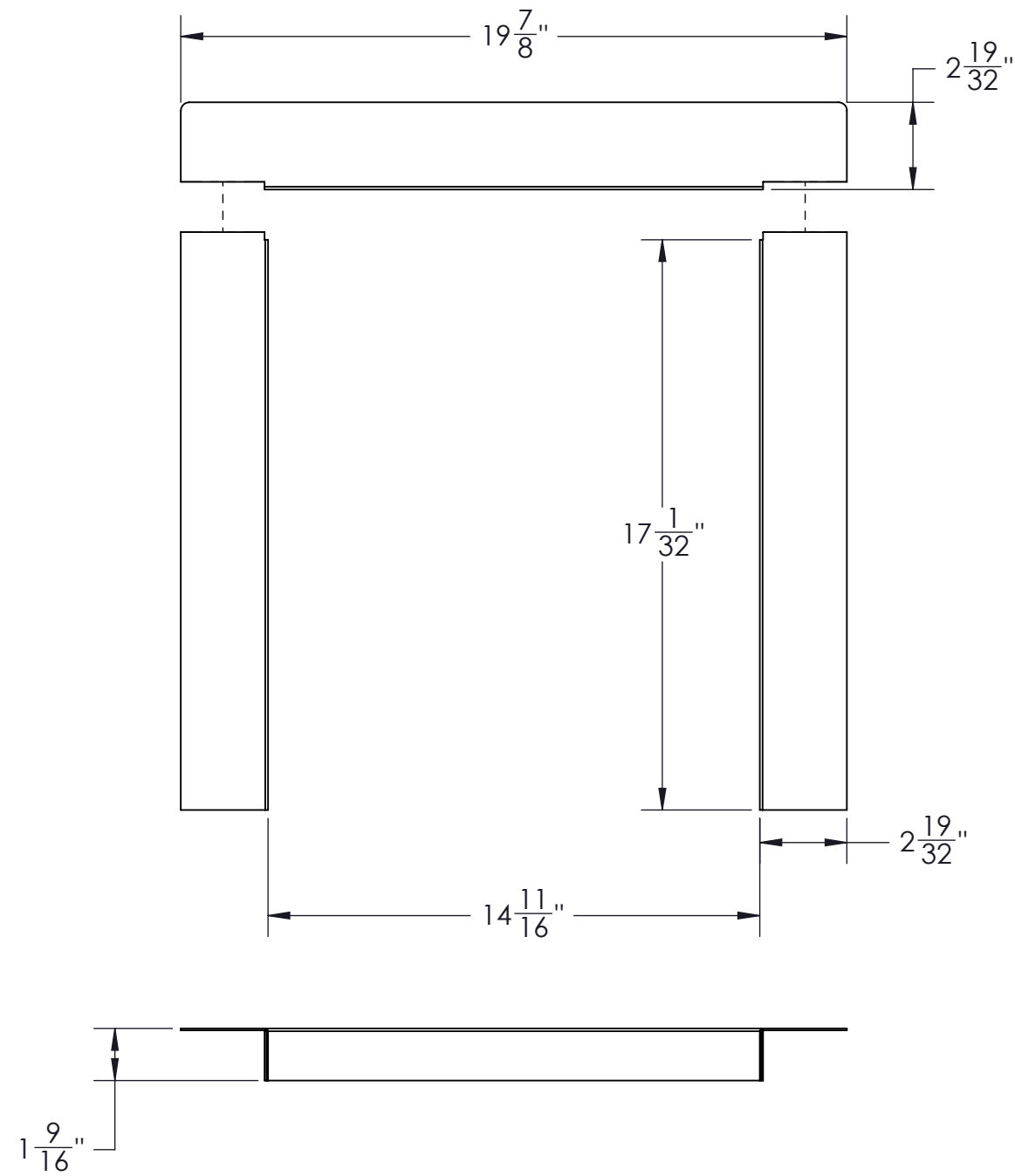
THIS DOCUMENTATION AND INFORMATION CONTAINED ARE THE SOLE PROPERTY OF E.F. BAVIS & ASSOC., INC. IT SHALL BE RETURNED UPON REQUEST AND SHALL NOT BE REPRODUCED IN WHOLE OR IN PART, OR DISCLOSED TO ANYONE ELSE, OR USED, WITHOUT WRITTEN CONSENT OF E.F. BAVIS & ASSOC., INC.



201 GRANDIN RD.
MAINEVILLE, OH 45039
T: 513.677.0500
F: 513.677.0552
WWW.BAVIS.COM

SIGNATURES		DATE	TITLE
DRAWN MJC		04/28/14	THREE PIECE COUNTER TRIM KIT
CHECKED			
ENGR.			
DIMENSIONS ARE IN INCHES	TOLERANCE UNLESS OTHERWISE NOTED:		
UNLESS OTHERWISE SPECIFIED	DECIMAL ±	N/A	
ECN	FRACTION ±	1/32	
10541	ANGULAR ±	N/A	

SIZE	DRAWING NO.	24060991	SHEET	1
			OF	1




MINIMUM OPENING WIDTH IS 14-7/8". MAXIMUM OPENING WIDTH IS 17-7/8".
(MINIMUM FLANGE TO COUNTERTOP OVERLAP IS 1".)

MATERIAL: 18 GA. STAINLESS STEEL WITH #4 FINISH (CONTACT FACTORY FOR OTHER FINISHES).

DIMENSIONS AND FINISH ARE SUBJECT TO CHANGE WITHOUT NOTICE.

PROPRIETARY

THIS DOCUMENTATION AND INFORMATION CONTAINED ARE THE SOLE PROPERTY OF E.F. BAVIS & ASSOC., INC. IT SHALL BE RETURNED UPON REQUEST AND SHALL NOT BE REPRODUCED IN WHOLE OR IN PART, OR DISCLOSED TO ANYONE ELSE, OR USED, WITHOUT WRITTEN CONSENT OF E.F. BAVIS & ASSOC., INC.

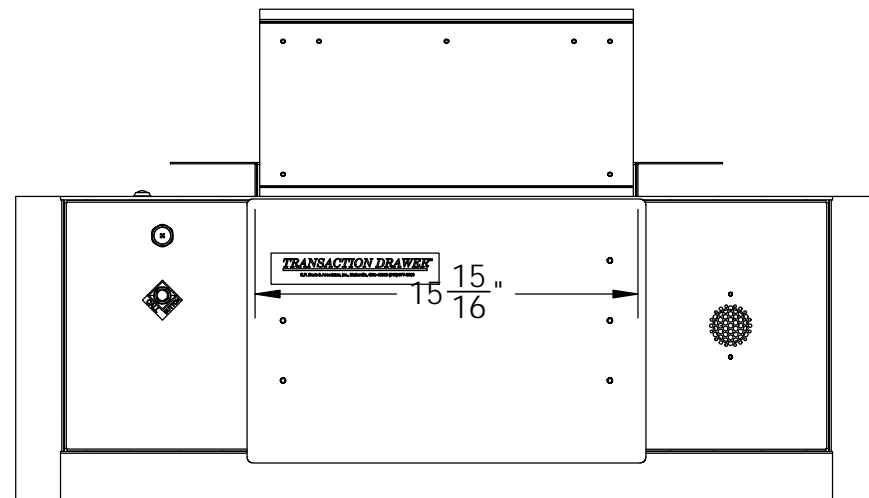
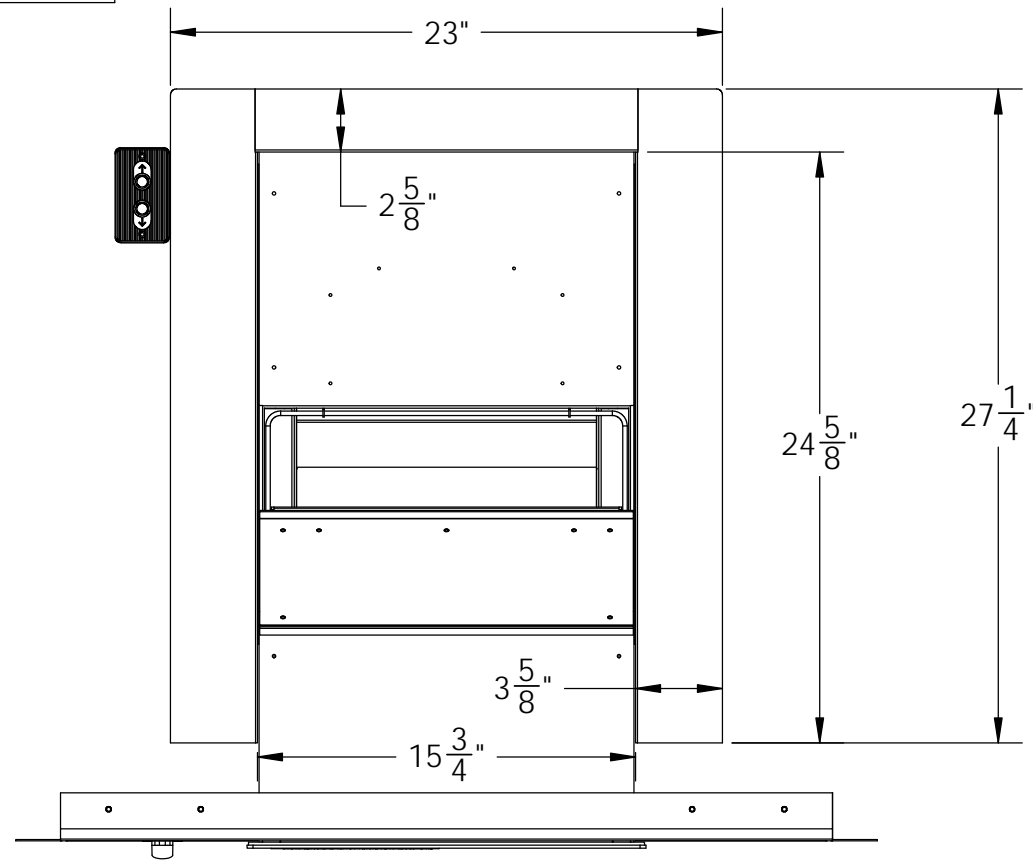


201 GRANDIN RD.
MAINEVILLE, OH 45039
T: 513.677.0500
F: 513.677.0552
WWW.BAVIS.COM

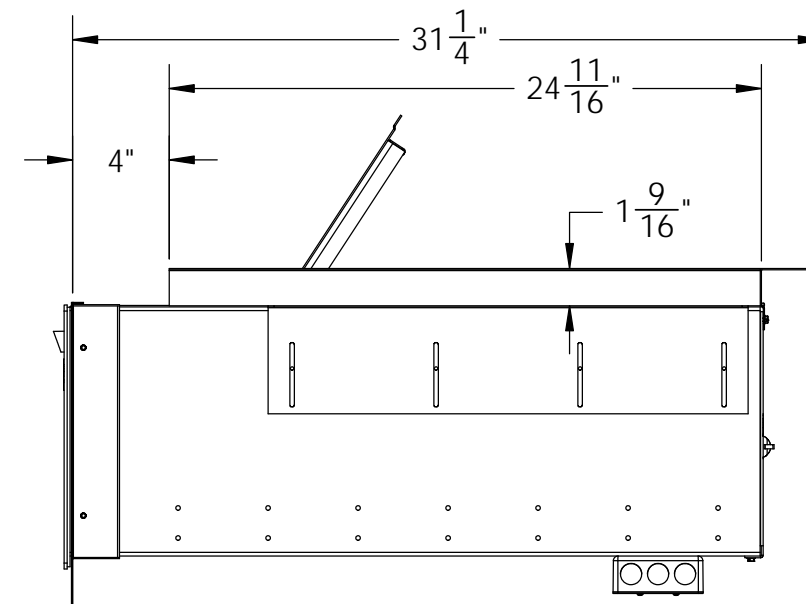
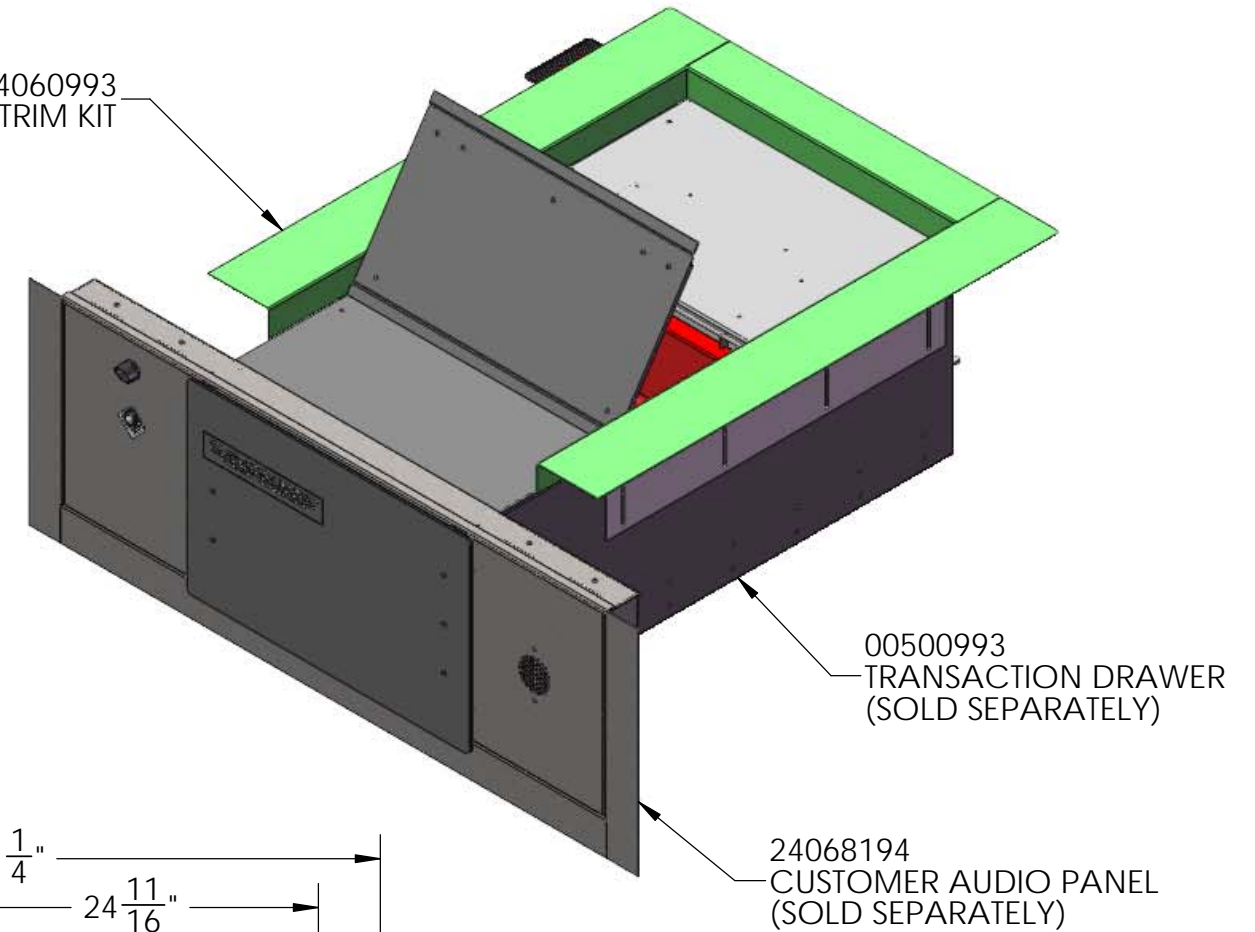
SIGNATURES		DATE	TITLE	
DRAWN	MJC	04/28/14	XSD 3 PIECE COUNTER TRIM KIT	
CHECKED				
ENGR.				
DIMENSIONS ARE IN INCHES	TOLERANCE UNLESS OTHERWISE NOTED:			
UNLESS OTHERWISE SPECIFIED	DECIMAL ±	N/A		
ECN	FRACTION ±	1/32	SIZE	DRAWING NO.
15391	ANGULAR ±	N/A	B	24060992

SHEET 1 OF 1

Pg. 13



24060993
THREE PIECE COUNTER TRIM KIT



MINIMUM OPENING WIDTH IS 16". MAXIMUM OPENING WIDTH IS 21".
(MINIMUM FLANGE TO COUNTERTOP OVERLAP IS 1".)

MATERIAL: 18 GA. STAINLESS STEEL WITH #4 FINISH (CONTACT FACTORY FOR OTHER FINISHES)

MODEL 00500993 TRANSACTION DRAWER WITH OPERATOR SWITCH IS NOT INCLUDED IN THIS KIT.

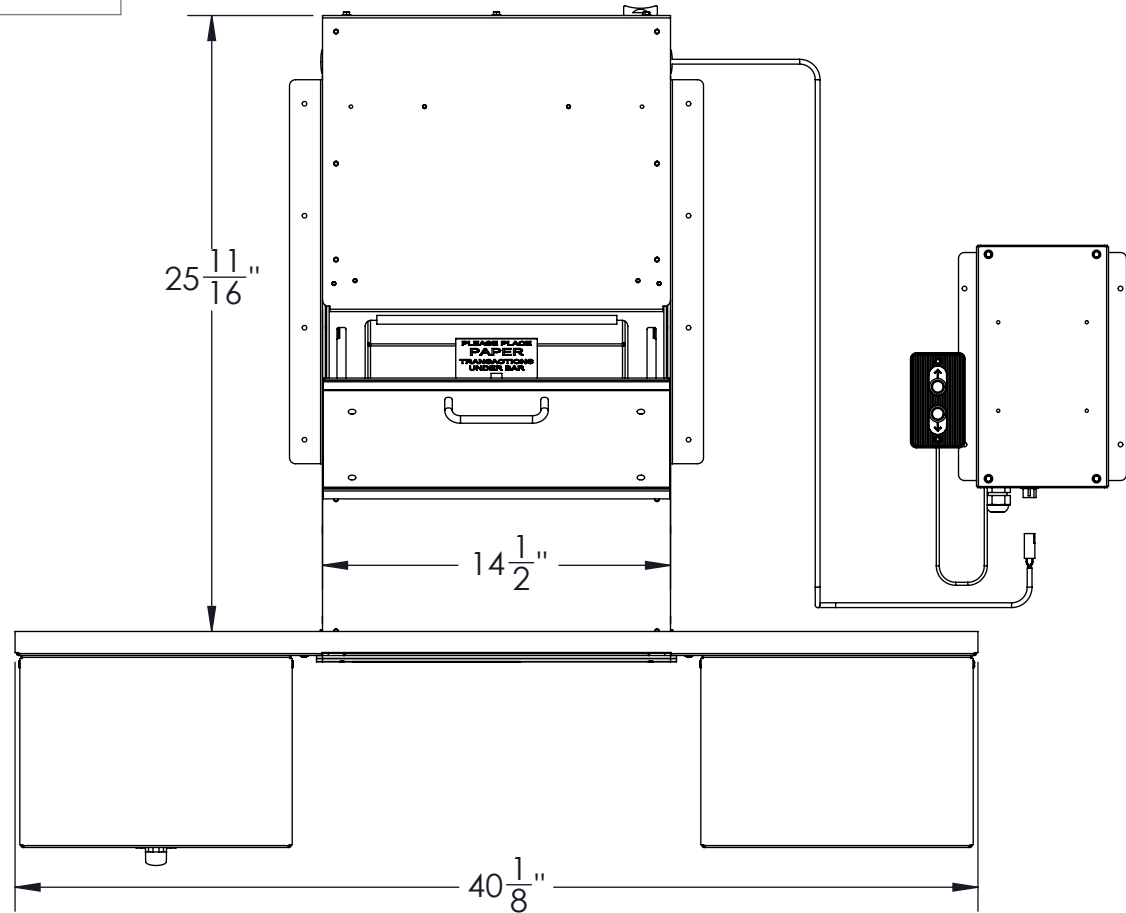
PART NUMBER 24068194 CUSTOMER AUDIO PANEL IS NOT INCLUDED IN THIS KIT

ALL DIMENSIONS AND APPEARANCE ARE SUBJECT TO CHANGE WITHOUT NOTICE.

PROPRIETARY
THIS DOCUMENTATION AND INFORMATION CONTAINED ARE THE SOLE PROPERTY OF E.F.BAVIS & ASSOC., INC. IT SHALL BE RETURNED UPON REQUEST AND SHALL NOT BE REPRODUCED IN WHOLE OR IN PART, OR DISCLOSED TO ANYONE ELSE, OR USED, WITHOUT WRITTEN CONSENT OF E.F. BAVIS & ASSOC., INC.

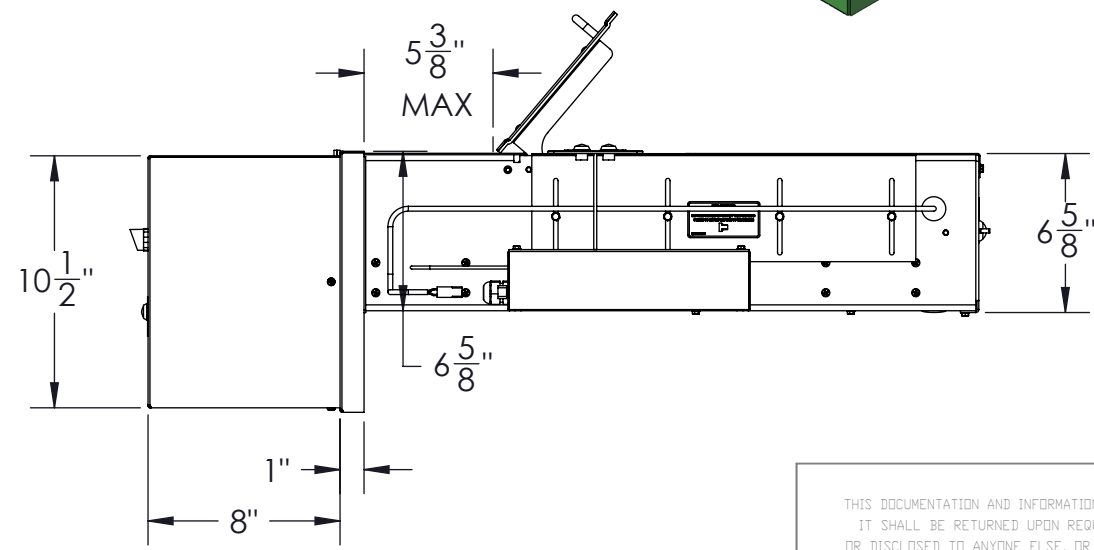
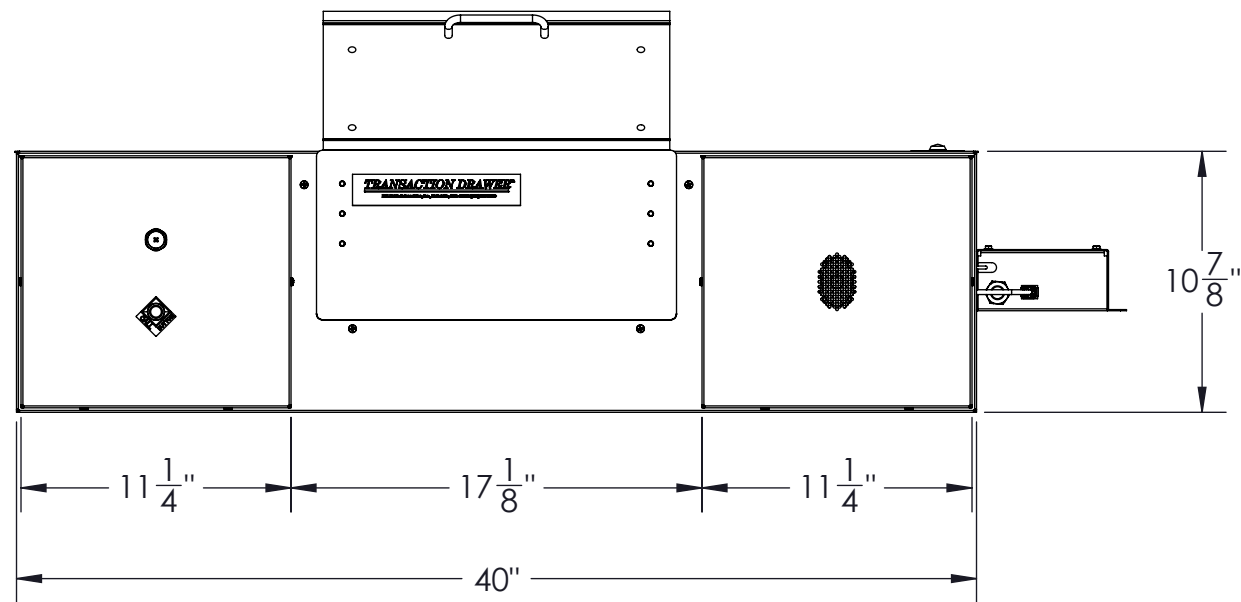
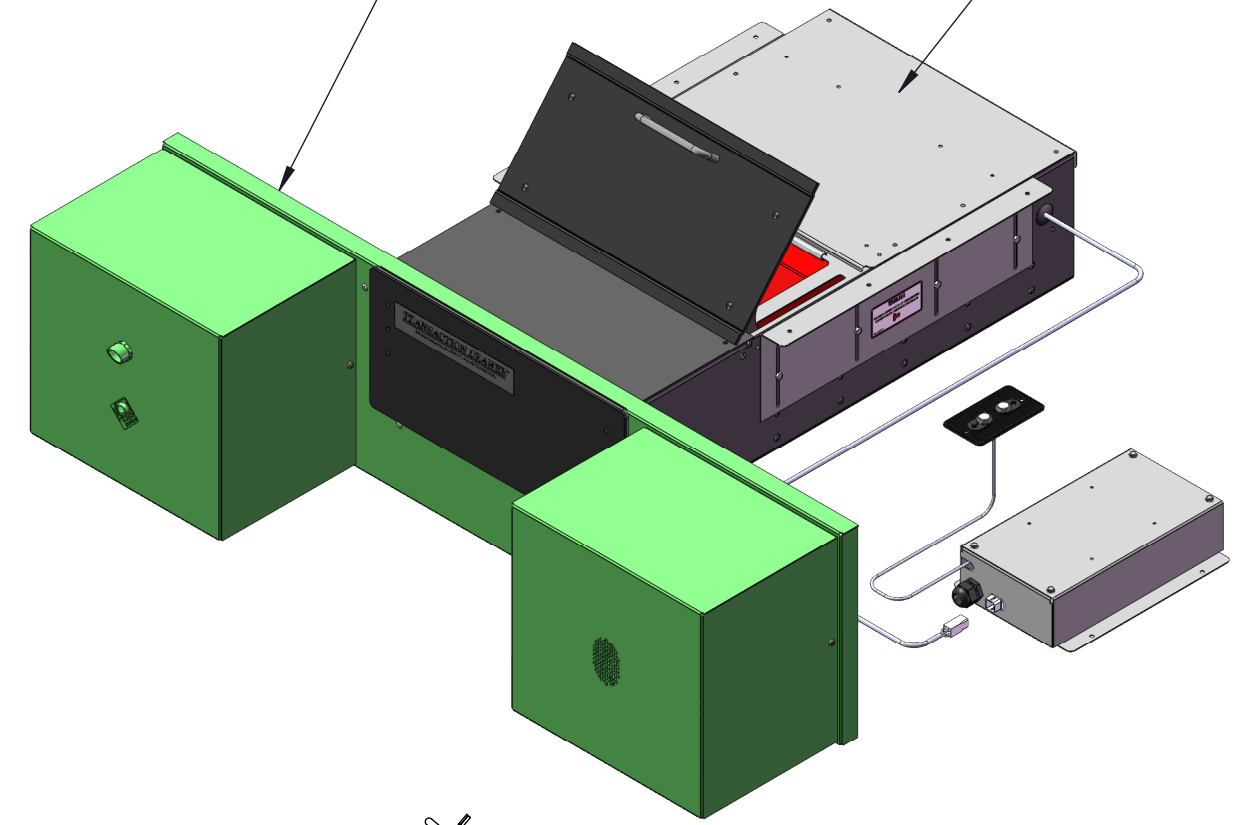
201 GRANDIN RD.
MAINEVILLE, OH 45039
T: 513.677.0500
F: 513.677.0552
WWW.BAVIS.COM

SIGNATURES		DATE	TITLE
DRAWN MJC		05/15/14	THREE PIECE COUNTER TRIM KIT FOR HAMILTON 400DD REPLACEMENT
CHECKED			
ENGR.			
DIMENSIONS ARE IN INCHES	TOLERANCE UNLESS OTHERWISE NOTED:		
UNLESS OTHERWISE SPECIFIED	DECIMAL ±	N/A	
ECN	FRACTION ±	1/32	
15462	ANGULAR ±	N/A	
SIZE B	DRAWING NO.	24060993	SHEET 2 OF 2



TDR XSD WALK-UP PANEL ASSY
P/N 24068189


EXTRA SMALL DRAWER
P/N 30000991
(SOLD SEPARATELY)



MATERIAL: 18 GA. STAINLESS STEEL WITH #4 FINISH (CONTACT FACTORY FOR OTHER FINISHES).
MODEL 30000991 TRANSACTION DRAWER WITH OPERATOR SWITCH IS NOT INCLUDED IN THIS KIT.
ALL DIMENSIONS AND APPEARANCE ARE SUBJECT TO CHANGE WITHOUT NOTICE.

PROPRIETARY

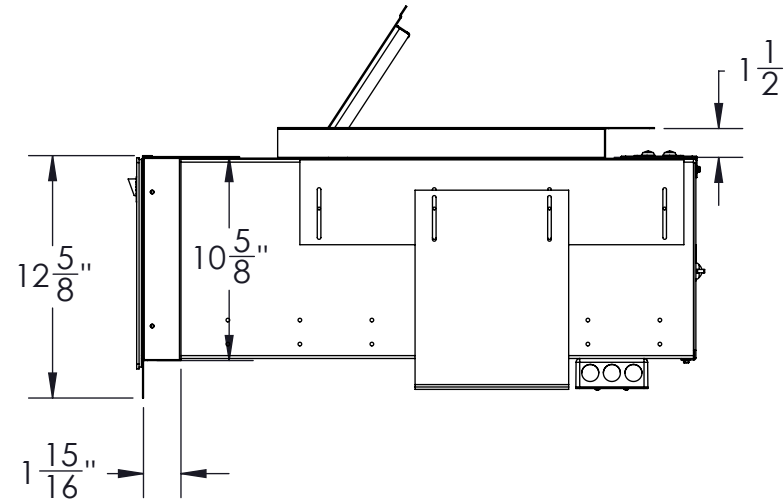
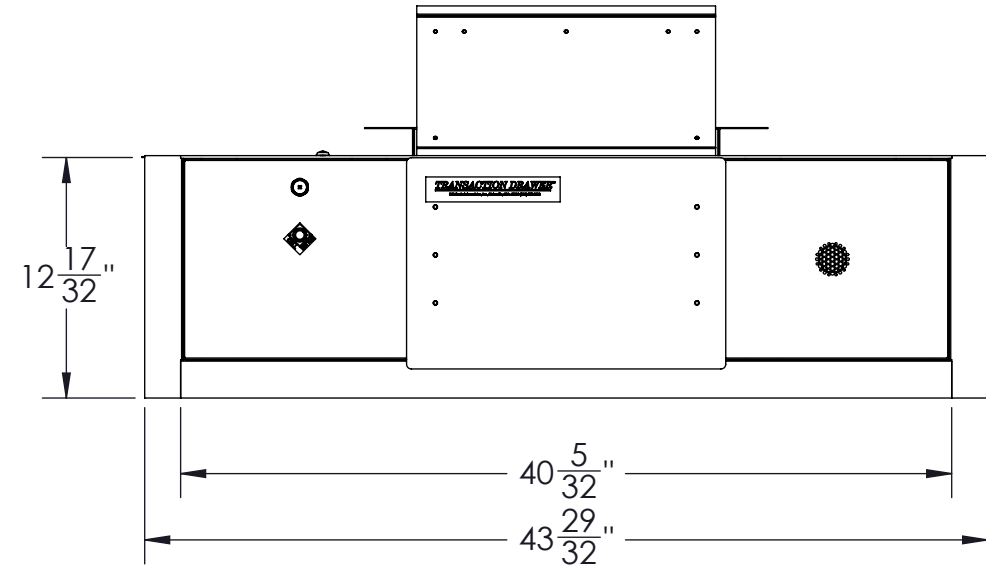
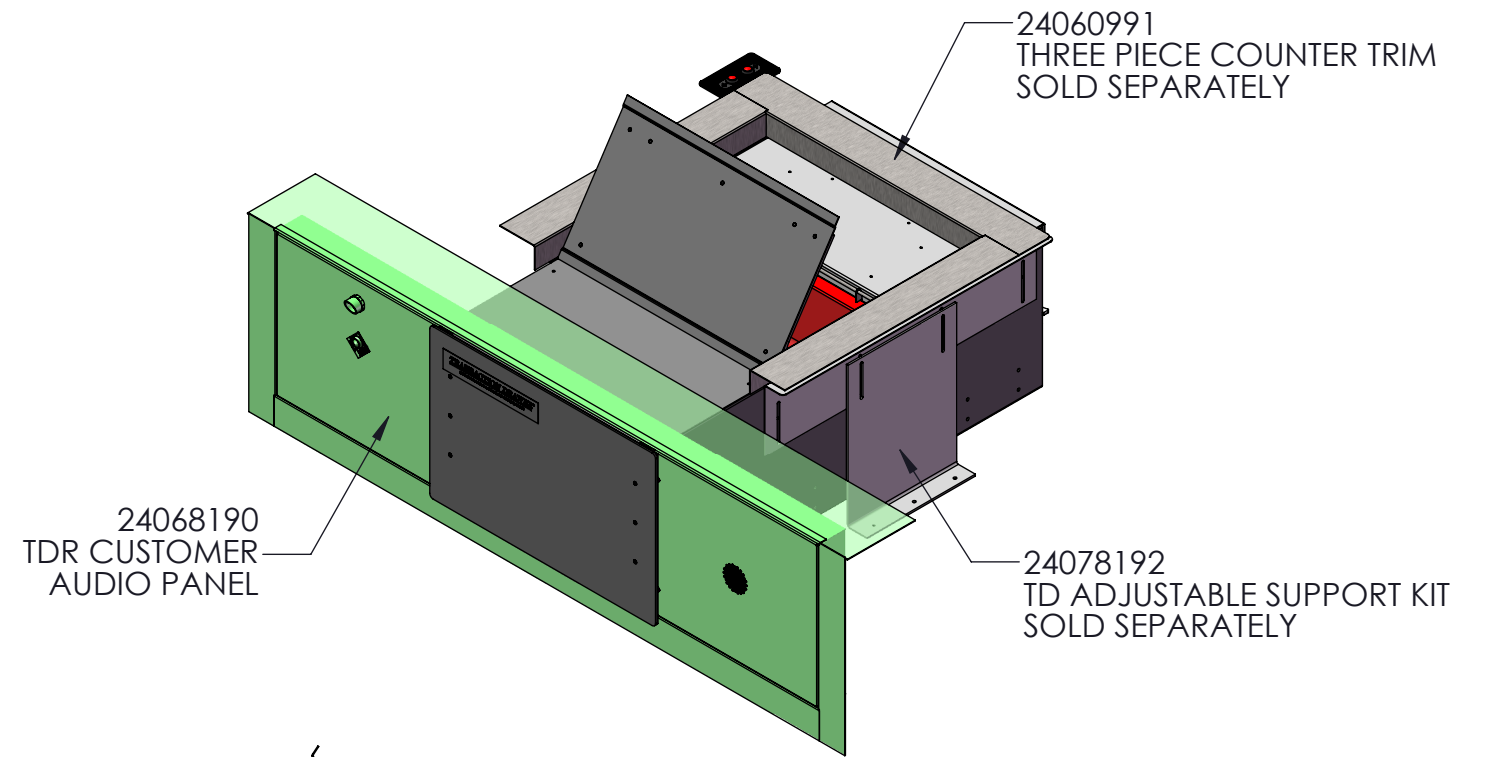
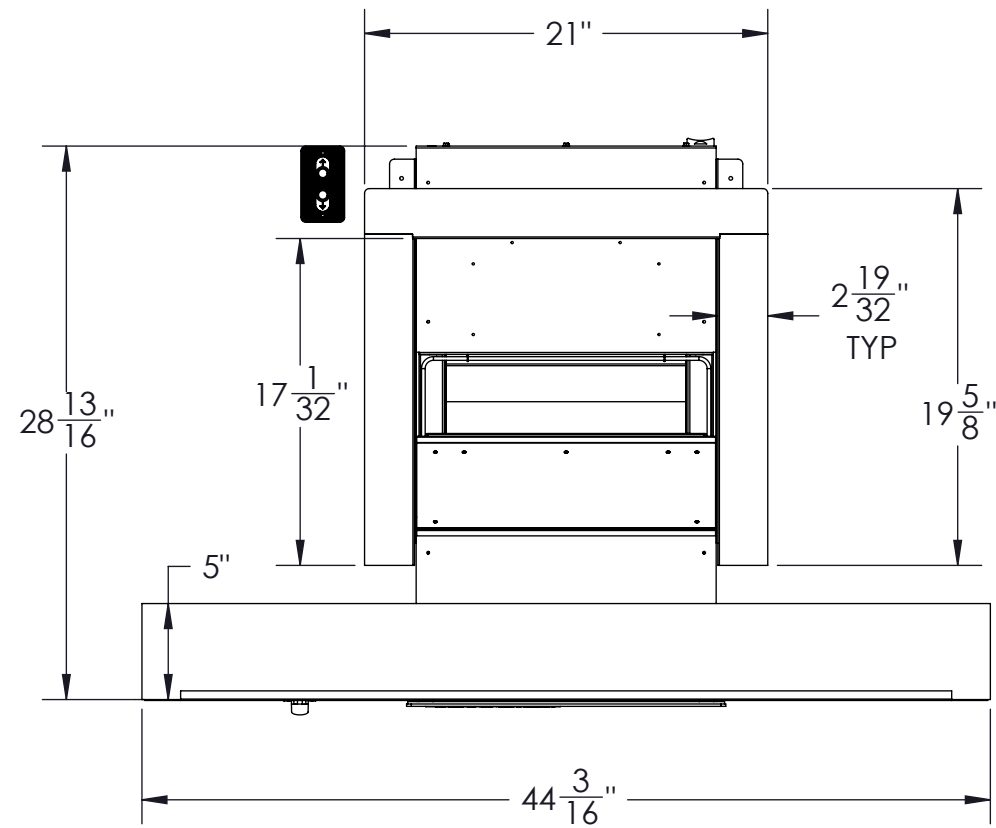
THIS DOCUMENTATION AND INFORMATION CONTAINED ARE THE SOLE PROPERTY OF E.F. BAVIS & ASSOC., INC. IT SHALL BE RETURNED UPON REQUEST AND SHALL NOT BE REPRODUCED IN WHOLE OR IN PART, OR DISCLOSED TO ANYONE ELSE, OR USED, WITHOUT WRITTEN CONSENT OF E.F. BAVIS & ASSOC., INC.



201 GRANDIN RD.
MAINEVILLE, OH 45039
T: 513.677.0500
F: 513.677.0552
WWW.BAVIS.COM

SIGNATURES	DATE	TITLE
DRAWN: MJC	01/04/18	TDR XSD WALK-UP PANEL ASSY SHOWN WITH 30000991 XSD
CHECKED:		
ENGR.:		
DIMENSIONS ARE IN INCHES UNLESS OTHERWISE SPECIFIED	TOLERANCE UNLESS OTHERWISE NOTED: DECIMAL ± N/A FRACTION ± 1/32 ANGULAR ± N/A	SIZE B DRAWING NO. 24068189 SHEET 2 OF 2
ECN 18991		

DATE	ECN	REVISION RECORD	DR	CK
01/17/19	19686	REPLACE SPEAKER & REMOVE BACKBOX	MC	DL
03/01/19	20088	REPLACE MIC NUT	MC	DM
08/28/20	21444	CHANGE SPEAKER FROM 2x3 TO 50mm	MC	DM



REPLACES LEFEBURE BK 6600 DRAWER IN SOME INSTALLATIONS

MATERIAL: 18 GA. STAINLESS STEEL WITH #4 FINISH (CONTACT FACTORY FOR OTHER FINISHES).


MODEL 00500993 TRANSACTION DRAWER WITH OPERATOR SWITCH IS NOT INCLUDED IN THIS KIT.

P.N. 24060991 THREE PIECE TRIM & P.N. 24078192 TD ADJUSTABLE SUPPORT ARE NOT INCLUDED IN THIS KIT.

ALL DIMENSIONS AND APPEARANCE ARE SUBJECT TO CHANGE WITHOUT NOTICE.

PROPRIETARY

THIS DOCUMENTATION AND INFORMATION CONTAINED ARE THE SOLE PROPERTY OF E.F.BAVIS & ASSOC., INC. IT SHALL BE RETURNED UPON REQUEST AND SHALL NOT BE REPRODUCED IN WHOLE OR IN PART, OR DISCLOSED TO ANYONE ELSE, OR USED, WITHOUT WRITTEN CONSENT OF E.F. BAVIS & ASSOC., INC.

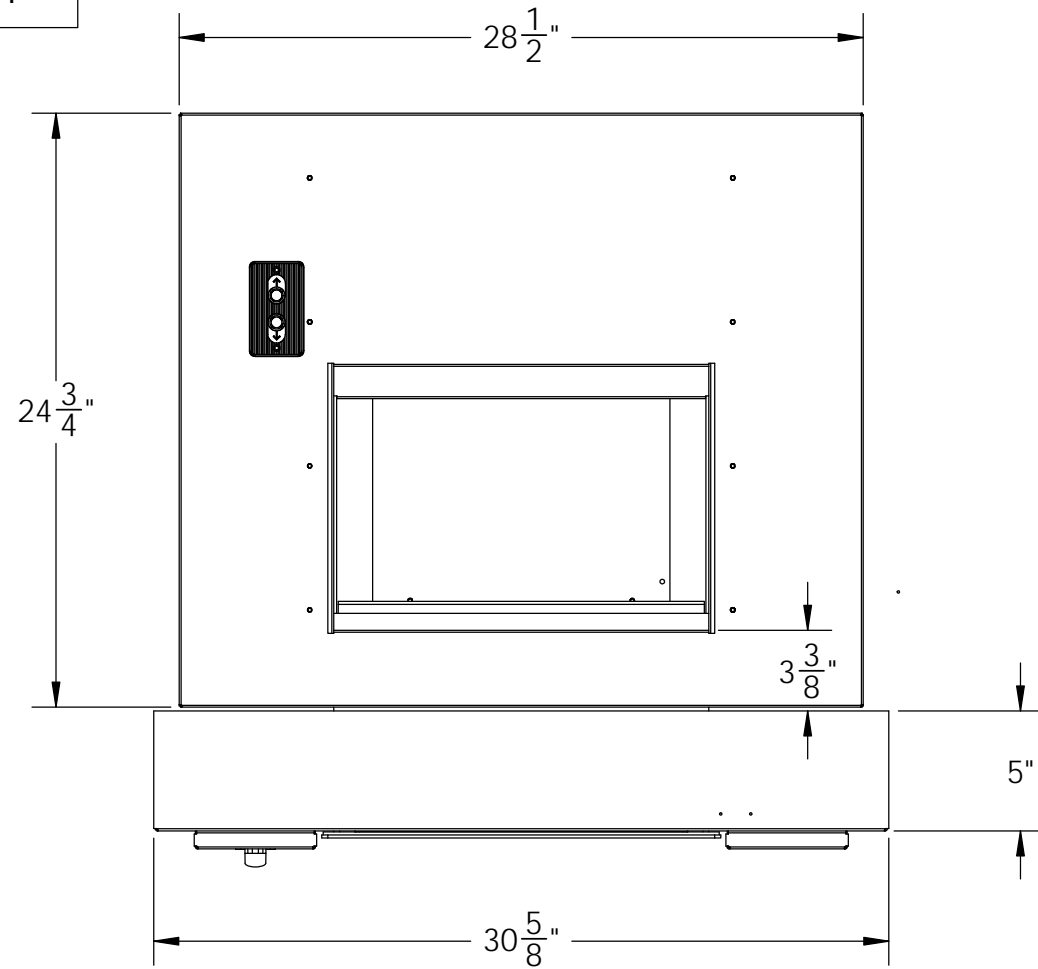


201 GRANDIN RD.
MAINEVILLE, OH 45039
T: 513.677.0500
F: 513.677.0552
WWW.BAVIS.COM

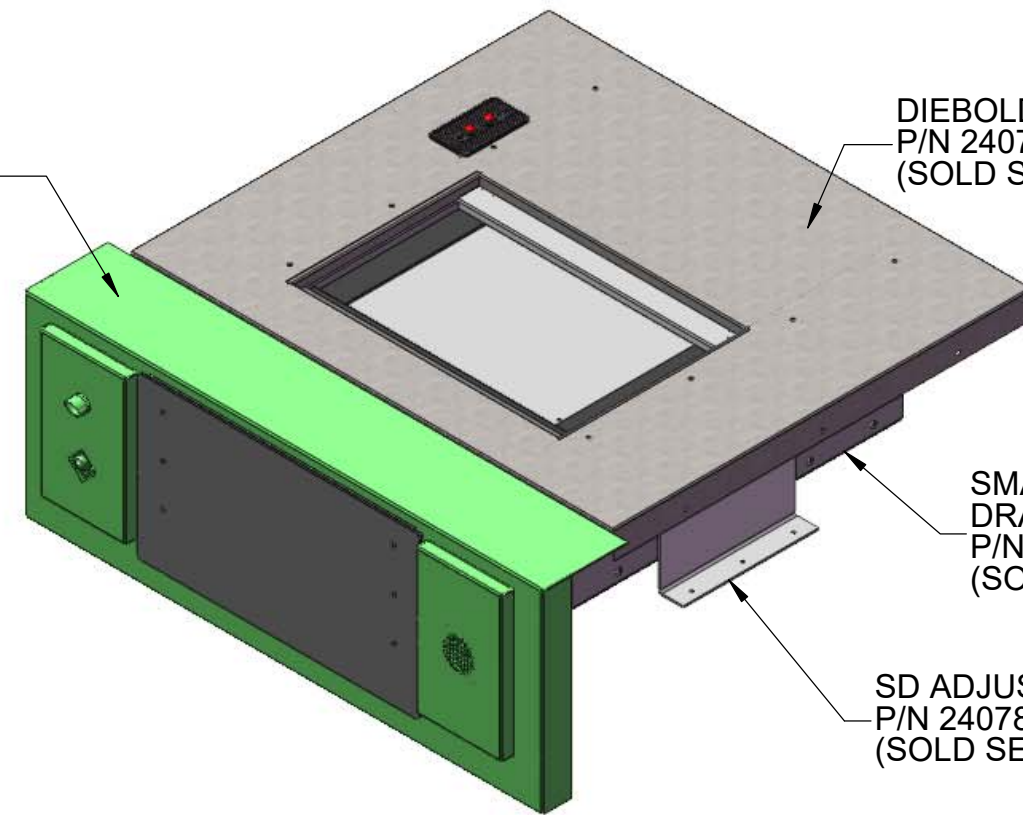
SIGNATURES		DATE	TITLE
DRAWN CLM		05/27/09	LEFEBURE BK 6600 TD TRIM KIT
CHECKED			
ENGR.			
DIMENSIONS ARE IN INCHES	TOLERANCE UNLESS OTHERWISE NOTED:		
UNLESS OTHERWISE SPECIFIED	DECIMAL ±	N/A	
	FRACTION ±	1/32	
ECN	ANGULAR ±	N/A	
10667		SIZE B	DRAWING NO. 24068190
		SHEET 2	OF 2

24068191

DATE	ECN	REVISION RECORD	DR	CK
02/09/15	16080	COVERT TO MODULAR & RAIN SHED DESIGN	MC	DL
04/06/20	21257	UPDATE BOM	MC	DA
11/06/20	21597	UPDATE BOM	MC	DM



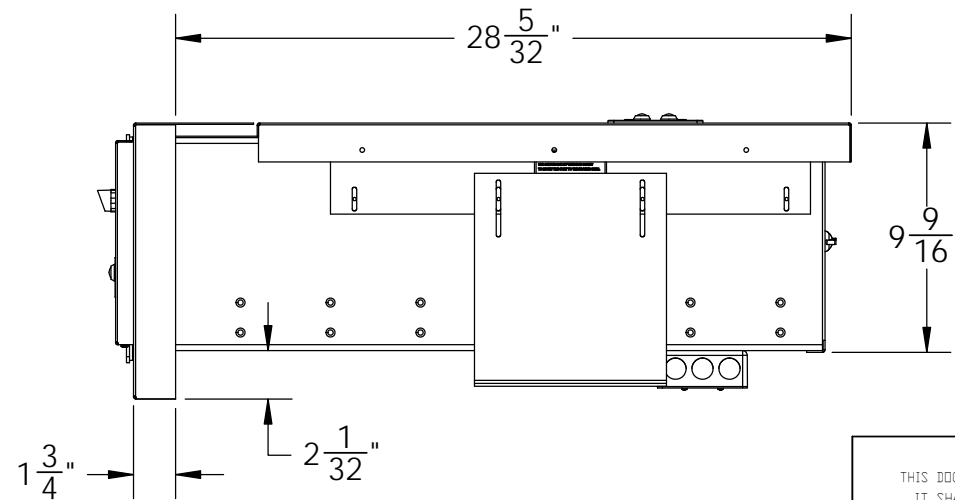
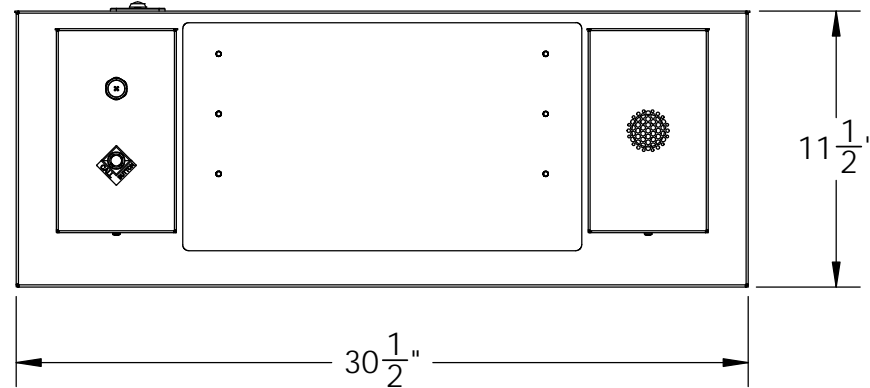
DIEBOLD TDR
CUST PANEL ASSY
P/N 24068191



DIEBOLD SS COUNTERTOP KIT
P/N 24077191
(SOLD SEPARATELY)

SMALL TRANSACTION
DRAWER
P/N 20000991
(SOLD SEPARATELY)

SD ADJUSTABLE SUPPORT
P/N 24078191
(SOLD SEPARATELY)



REPLACES SOME DIEBOLD COUNTERETTE SERIES DRAWER

MATERIAL: 18 GA. STAINLESS STEEL WITH #4 FINISH (CONTACT FACTORY FOR OTHER FINISHES).


MODEL 20000991 TRANSACTION DRAWER WITH OPERATOR SWITCH IS NOT INCLUDED IN THIS KIT.

P.N. 24077191 SS COUNTERTOP & P.N. 24078191 SD ADJUSTABLE SUPPORT ARE NOT INCLUDED IN THIS KIT.

ALL DIMENSIONS AND APPEARANCE ARE SUBJECT TO CHANGE WITHOUT NOTICE.

PROPRIETARY

THIS DOCUMENTATION AND INFORMATION CONTAINED ARE THE SOLE PROPERTY OF E.F. BAVIS & ASSOC., INC. IT SHALL BE RETURNED UPON REQUEST AND SHALL NOT BE REPRODUCED IN WHOLE OR IN PART, OR DISCLOSED TO ANYONE ELSE, OR USED, WITHOUT WRITTEN CONSENT OF E.F. BAVIS & ASSOC., INC.



201 GRANDIN RD.
MAINEVILLE, OH 45039
T: 513.677.0500
F: 513.677.0552
WWW.BAVIS.COM

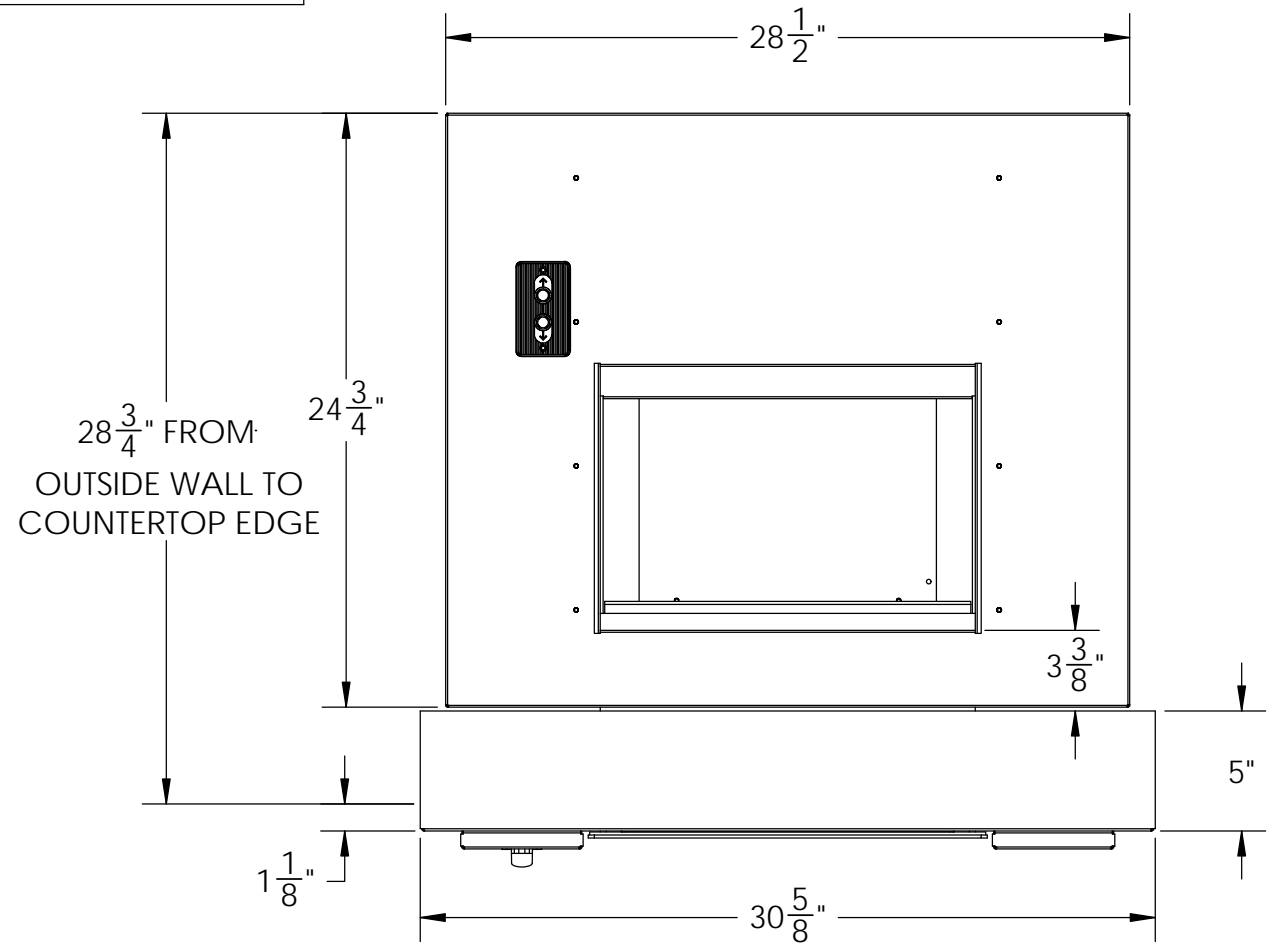
SIGNATURES		DATE	TITLE
DRAWN		MJC	05/05/09
CHECKED			
ENGR.			
DIMENSIONS ARE IN INCHES		TOLERANCE UNLESS OTHERWISE NOTED:	
UNLESS OTHERWISE SPECIFIED		DECIMAL ±	N/A
		FRACTION ±	1/32
ECN		ANGULAR ±	N/A
10629			

**SHOWN WITH COUNTERTOP KIT,
SD ADJUSTABLE SUPPORT
& 20000991 DRAWER**

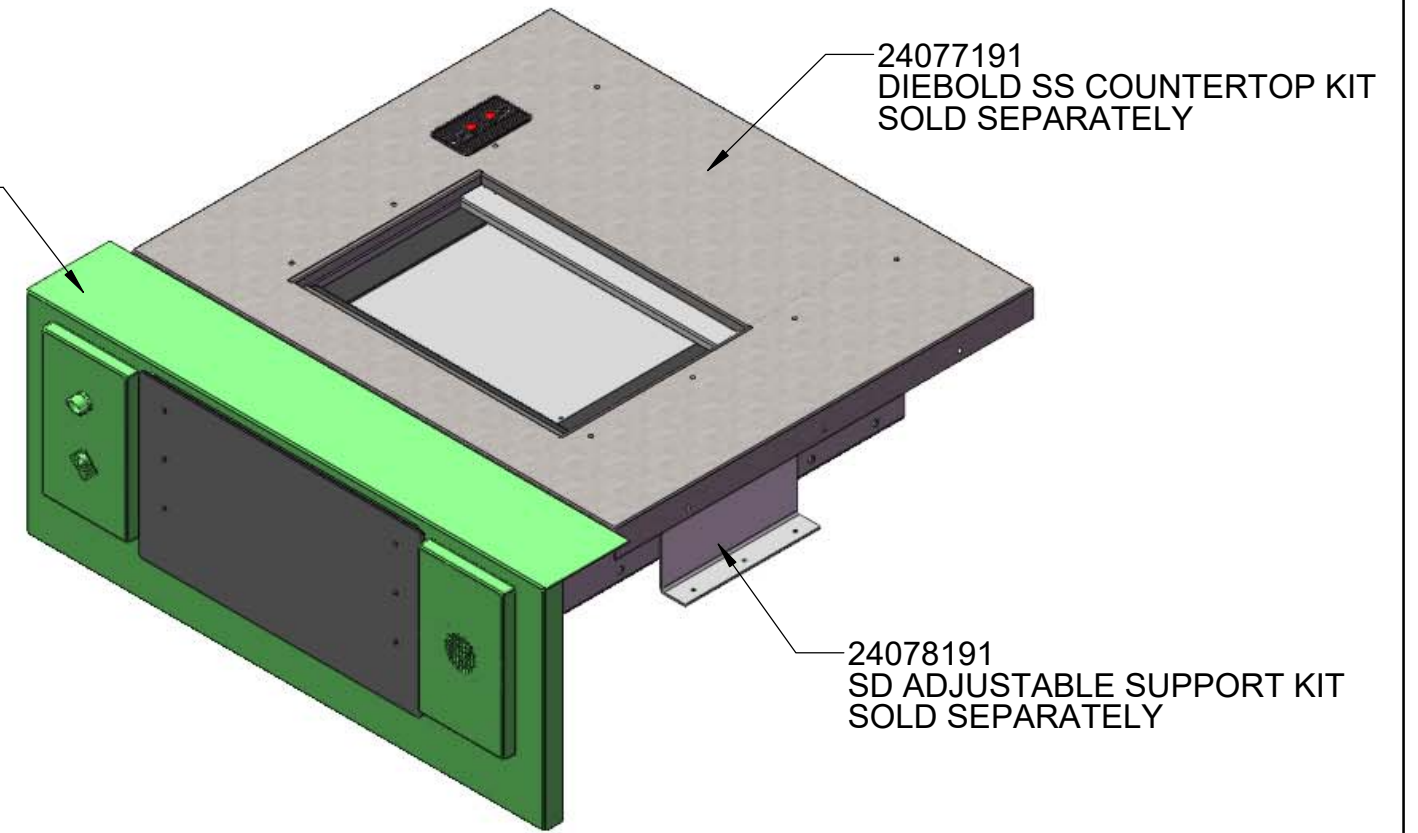
SIZE	DRAWING NO.	SHEET	OF
B	24068191	1	1

24068192

DATE	ECN	REVISION RECORD	DR	CK
12/15/14	15913	CONVERT TO MODULAR & RAIN SHED DESIGN	MC	DL

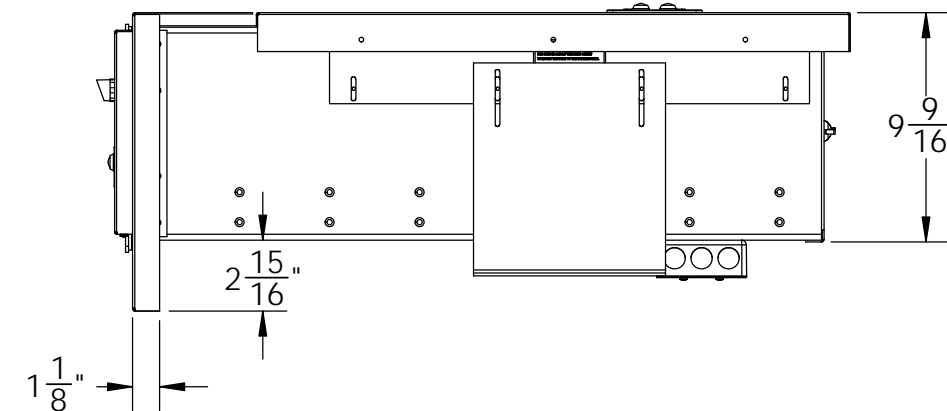
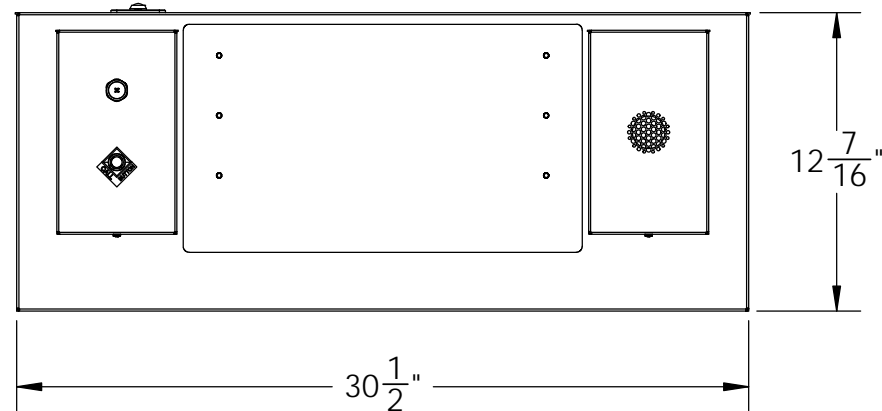


24068192
DIEBOLD TDR CUST
PANEL ASSY 2



24077191
DIEBOLD SS COUNTERTOP KIT
SOLD SEPARATELY

24078191
SD ADJUSTABLE SUPPORT KIT
SOLD SEPARATELY



REPLACES SOME DIEBOLD COUNTERETTE SERIES DRAWER

MATERIAL: 18 GA. STAINLESS STEEL WITH #4 FINISH (CONTACT FACTORY FOR OTHER FINISHES).

MODEL 20000991 TRANSACTION DRAWER WITH OPERATOR SWITCH IS NOT INCLUDED IN THIS KIT.

P.N. 24077191 SS COUNTERTOP & P.N. 24078191 SD ADJUSTABLE SUPPORT ARE NOT INCLUDED IN THIS KIT.

ALL DIMENSIONS AND APPEARANCE ARE SUBJECT TO CHANGE WITHOUT NOTICE.

PROPRIETARY

THIS DOCUMENTATION AND INFORMATION CONTAINED ARE THE SOLE PROPERTY OF E.F.BAVIS & ASSOC., INC. IT SHALL BE RETURNED UPON REQUEST AND SHALL NOT BE REPRODUCED IN WHOLE OR IN PART, OR DISCLOSED TO ANYONE ELSE, OR USED, WITHOUT WRITTEN CONSENT OF E.F. BAVIS & ASSOC., INC.



201 GRANDIN RD.
MAINEVILLE, OH 45039
T: 513.677.0500
F: 513.677.0552
WWW.BAVIS.COM

SIGNATURES		DATE	TITLE
DRAWN		MJC	06/29/09
CHECKED			
ENGR.			
DIMENSIONS ARE IN INCHES		TOLERANCE UNLESS OTHERWISE NOTED:	
UNLESS OTHERWISE SPECIFIED		DECIMAL ±	N/A
ECN		FRACTION ±	1/32
10652		ANGULAR ±	N/A

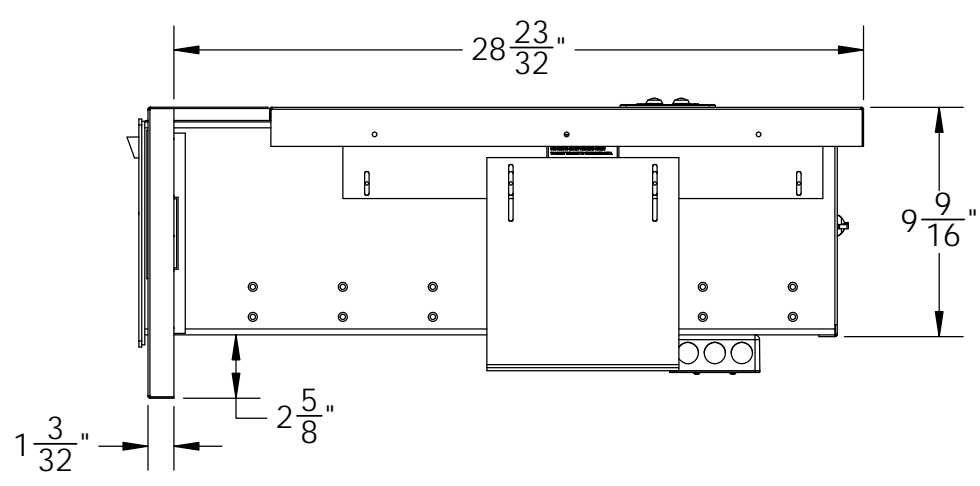
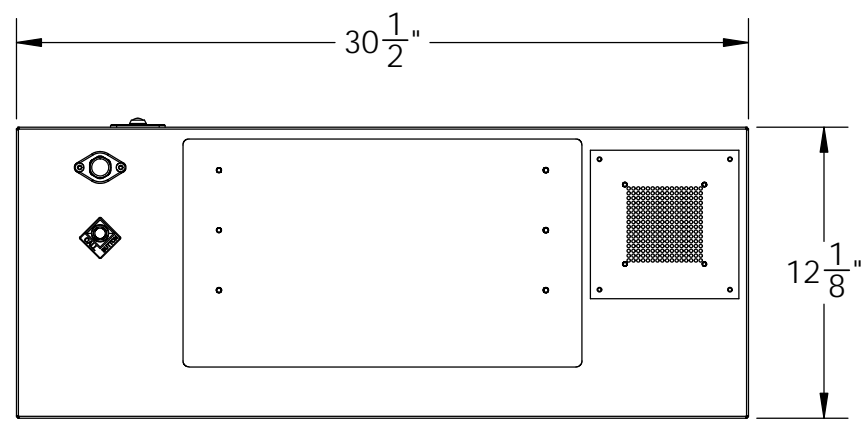
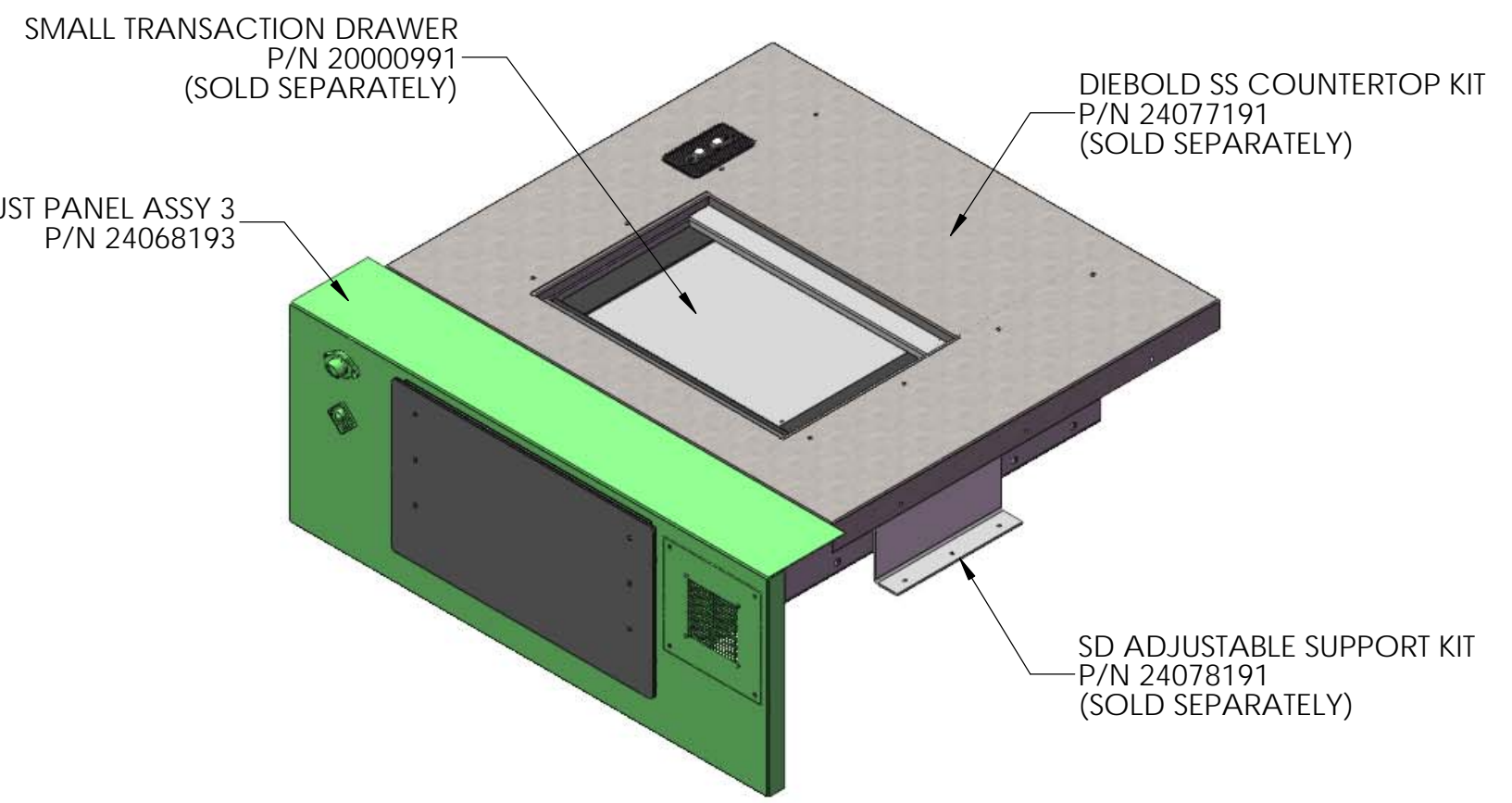
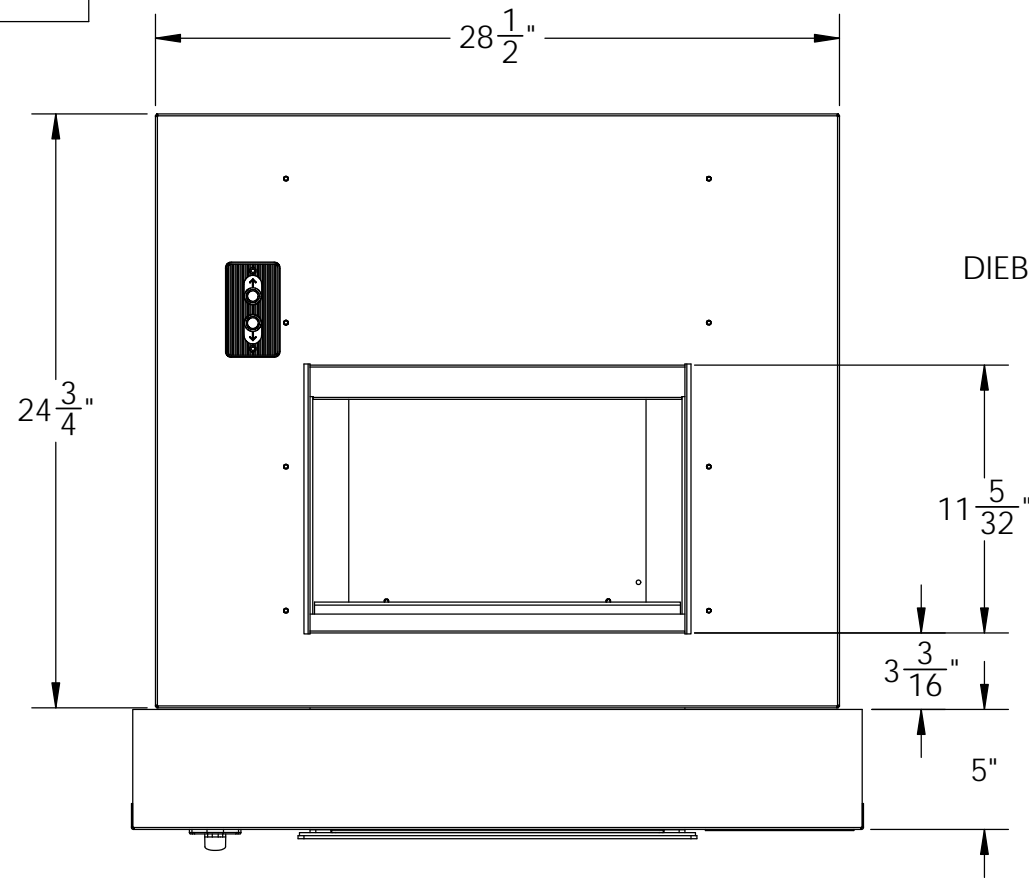
DIEBOLD TDR CUST PANEL ASSY 2

SHOWN WITH COUNTERTOP KIT,

SD ADJUSTABLE SUPPORTS &

20000991 DRAWER

SIZE	DRAWING NO.	SHEET	2
B	24068192	OF	2



REPLACES SOME DIEBOLD COUNTERETTE SERIES DRAWER

MATERIAL: 18 GA. STAINLESS STEEL WITH #4 FINISH (CONTACT FACTORY FOR OTHER FINISHES).

MODEL 20000991 TRANSACTION DRAWER WITH OPERATOR SWITCH IS NOT INCLUDED IN THIS KIT.

P.N. 24077191 SS COUNTERTOP & P.N. 24078191 SD ADJUSTABLE SUPPORT ARE NOT INCLUDED IN THIS KIT.

ALL DIMENSIONS AND APPEARANCE ARE SUBJECT TO CHANGE WITHOUT NOTICE.

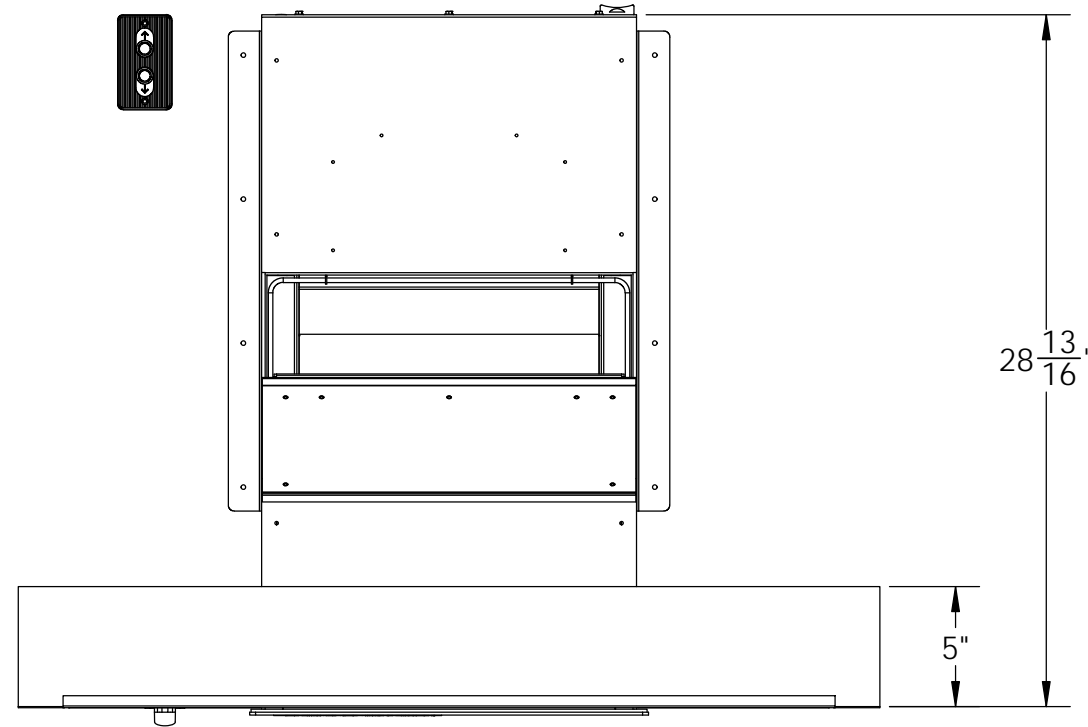
PROPRIETARY
 THIS DOCUMENTATION AND INFORMATION CONTAINED ARE THE SOLE PROPERTY OF E.F.BAVIS & ASSOC., INC. IT SHALL BE RETURNED UPON REQUEST AND SHALL NOT BE REPRODUCED IN WHOLE OR IN PART, OR DISCLOSED TO ANYONE ELSE, OR USED, WITHOUT WRITTEN CONSENT OF E.F. BAVIS & ASSOC., INC.



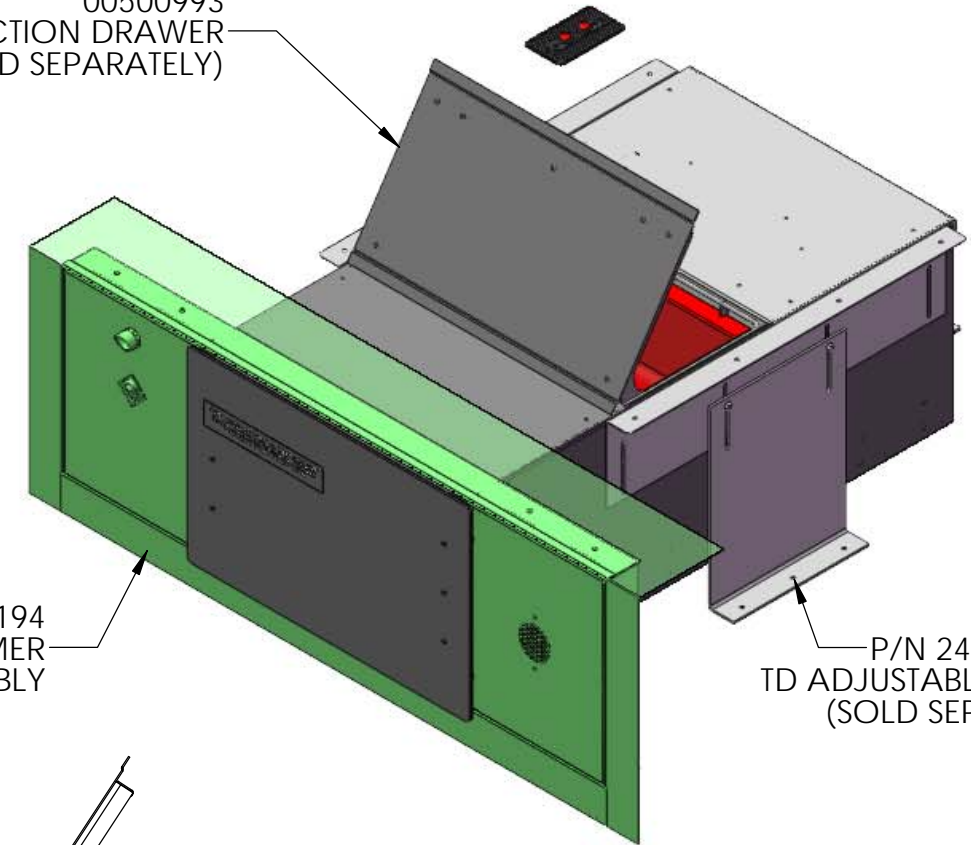
SIGNATURES		DATE	TITLE
DRAWN MJC		10/21/09	DIEBOLD TDR CUST PANEL ASSY 3 SPEAKER NOT INCLUDED SHOWN WITH SS COUNTERTOP, SD ADJUSTABLE SUPPORT & 20000991 DRAWER
CHECKED			
ENGR.			
DIMENSIONS ARE IN INCHES	TOLERANCE UNLESS OTHERWISE NOTED:		SIZE B DRAWING NO. 24068193 SHEET 2 OF 2
UNLESS OTHERWISE SPECIFIED	DECIMAL ±	N/A	
ECN 11012	FRACTION ±	1/32	
	ANGULAR ±	N/A	

24068194

DATE	ECN	REVISION RECORD	DR	CK
01/17/19	19687	REPLACE SPEAKER & REMOVE BACKBOX	MC	DL
03/01/19	20089	REPLACE MIC NUT	MC	DM
11/06/20	21593	CHANGE FROM 2x3 TO 50mm ROUND SPEAKER	MC	DM

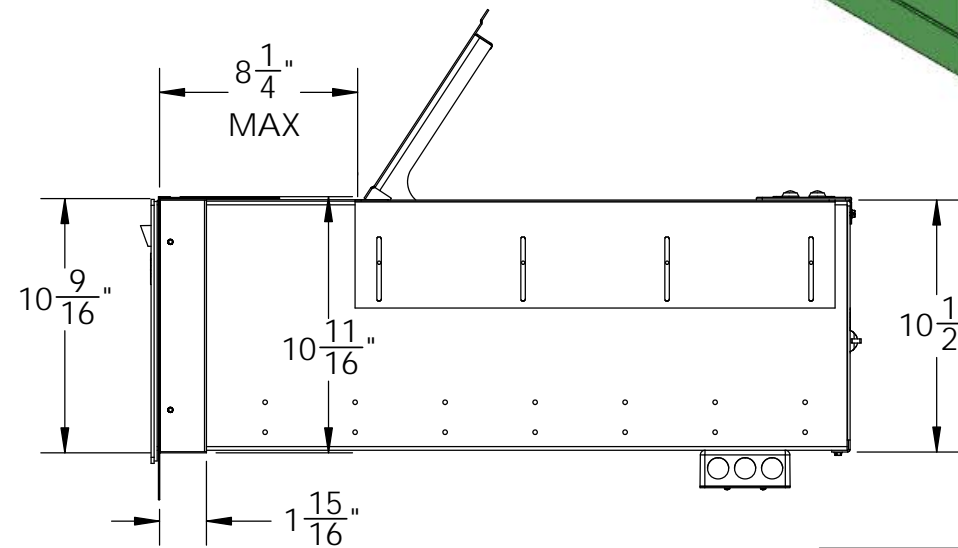
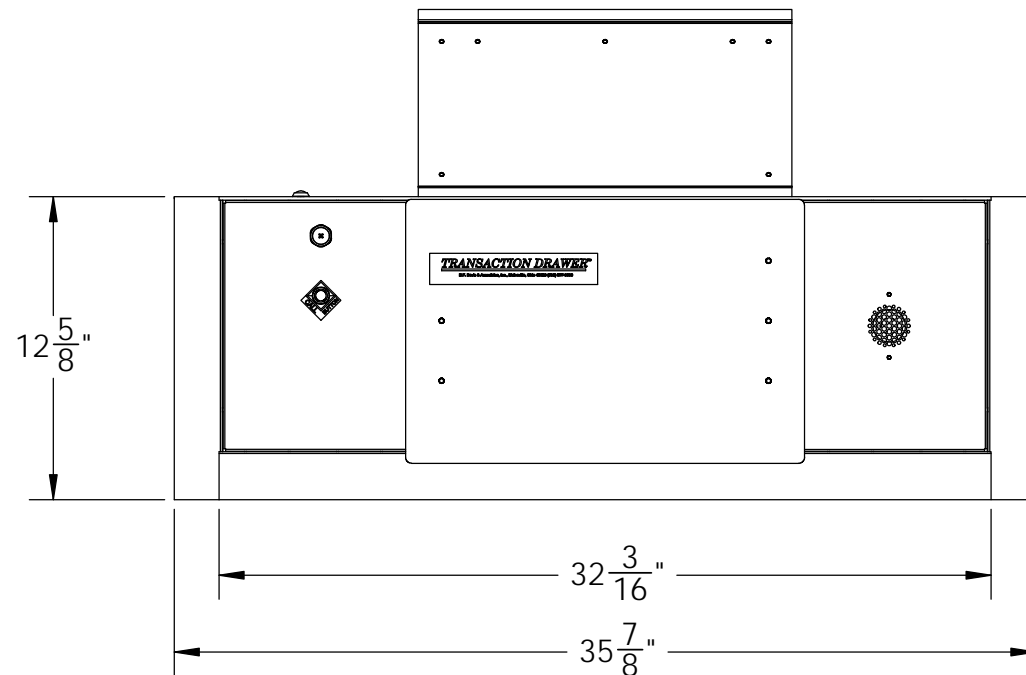


00500993
TRANSACTION DRAWER
(SOLD SEPARATELY)



P/N 24068194
SSE GS-92 TDR CUSTOMER
PANEL ASSEMBLY


P/N 24078192
TD ADJUSTABLE SUPPORT KIT
(SOLD SEPARATELY)



MATERIAL: 18 GA. STAINLESS STEEL WITH #4 FINISH (CONTACT FACTORY FOR OTHER FINISHES).
 MODEL 00500993 TRANSACTION DRAWER WITH OPERATOR SWITCH IS NOT INCLUDED IN THIS KIT
 ALL DIMENSIONS AND APPEARANCE ARE SUBJECT TO CHANGE WITHOUT NOTICE.

PROPRIETARY

THIS DOCUMENTATION AND INFORMATION CONTAINED ARE THE SOLE PROPERTY OF E.F.BAVIS & ASSOC., INC. IT SHALL BE RETURNED UPON REQUEST AND SHALL NOT BE REPRODUCED IN WHOLE OR IN PART, OR DISCLOSED TO ANYONE ELSE, OR USED, WITHOUT WRITTEN CONSENT OF E.F. BAVIS & ASSOC., INC.

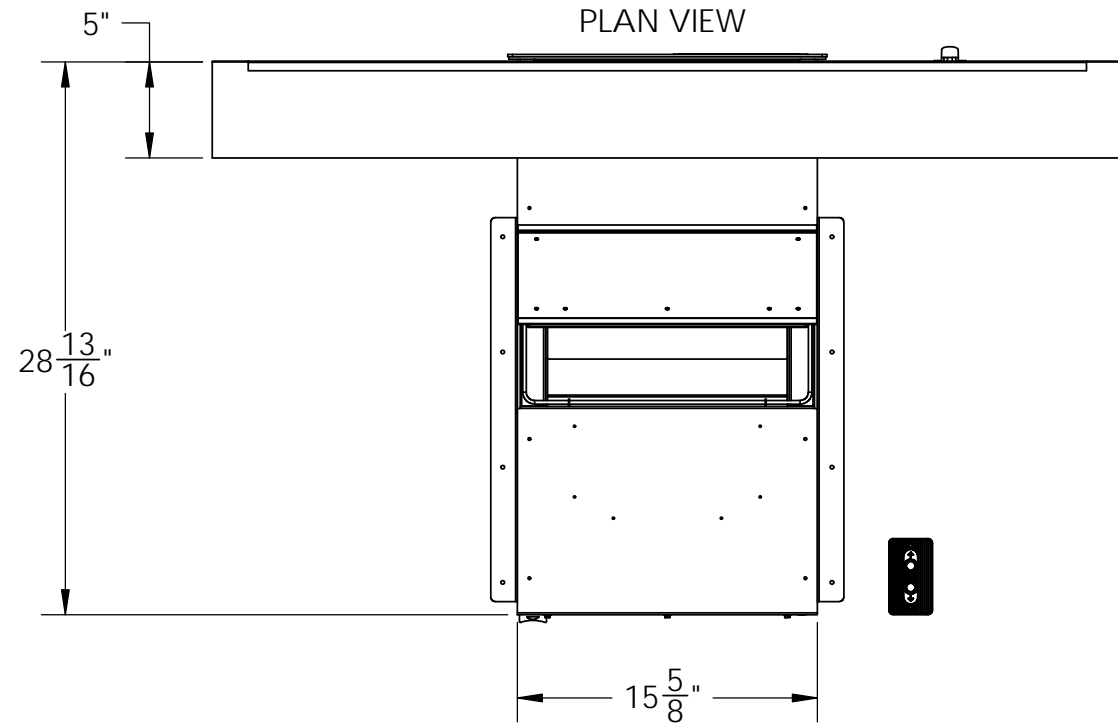


201 GRANDIN RD.
MAINEVILLE, OH 45039
T: 513.677.0500
F: 513.677.0552
WWW.BAVIS.COM

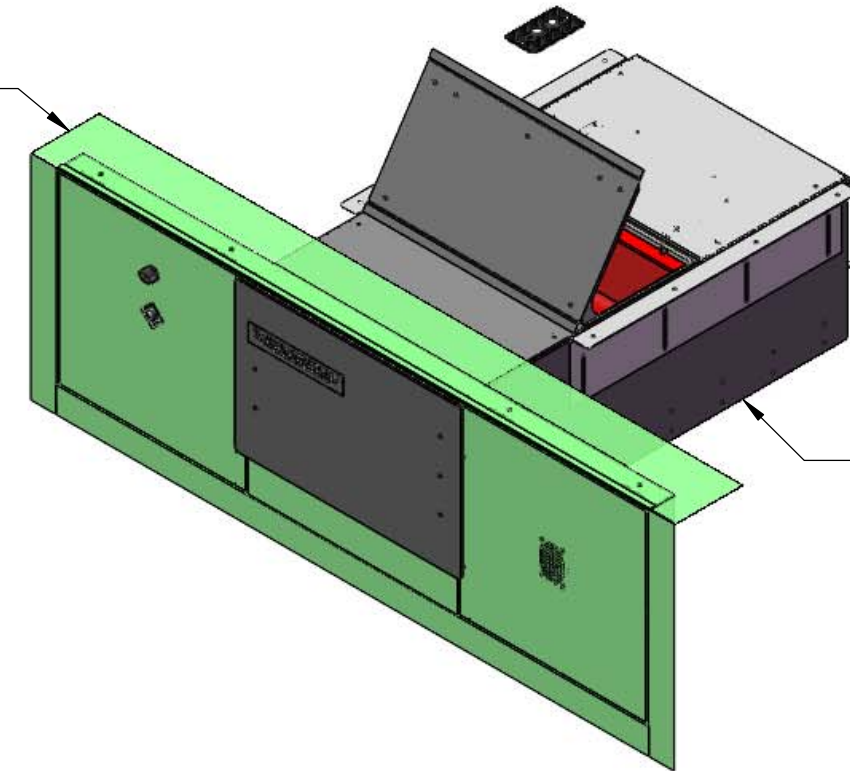
SIGNATURES		DATE	TITLE
DRAWN	MJC	01/19/10	SSE GS-92 TDR CUST PANEL ASSM & HAMILTON 400 DD
CHECKED	DAL	01/19/10	
ENGR.			
DIMENSIONS ARE IN INCHES		TOLERANCE UNLESS OTHERWISE NOTED:	
UNLESS OTHERWISE SPECIFIED		DECIMAL ± 0.015	
		FRACTION ± N/A	
ECN		ANGULAR ± N/A	
11354			

SIZE	DRAWING NO.	SHEET	OF
B	24068194	1	1

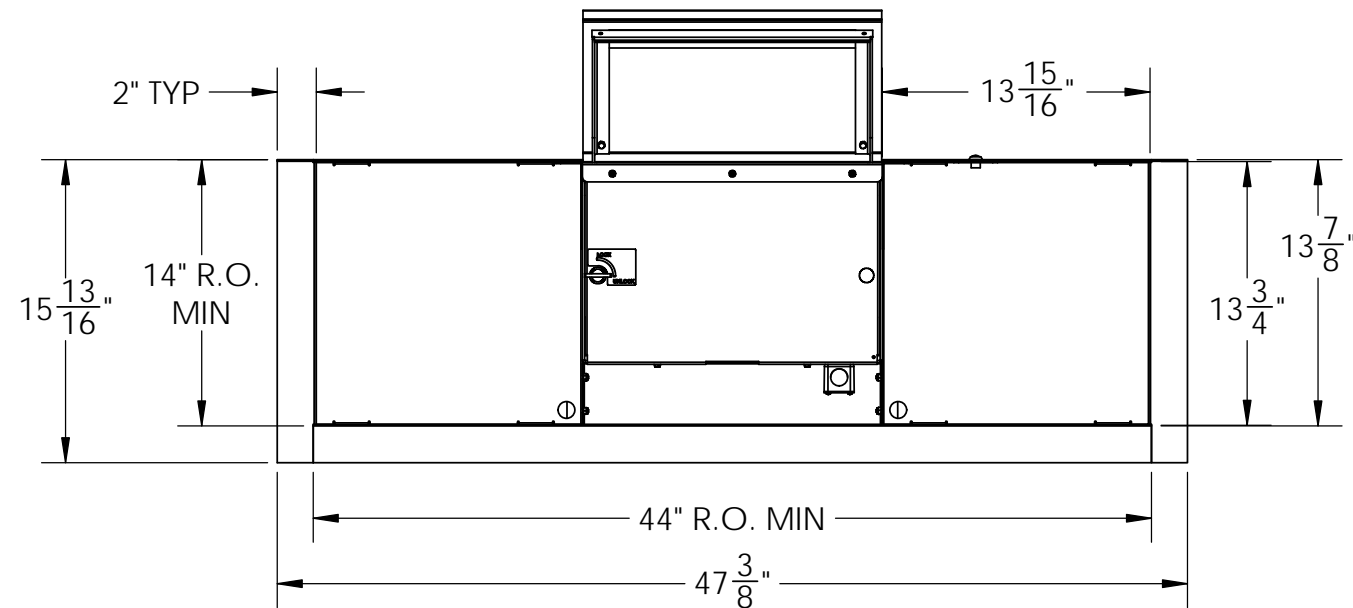
DATE	ECN	REVISION RECORD	DR	CK
01/16/19	19688	REPLACE SPEAKER & REMOVE BACKBOX	MC	DL



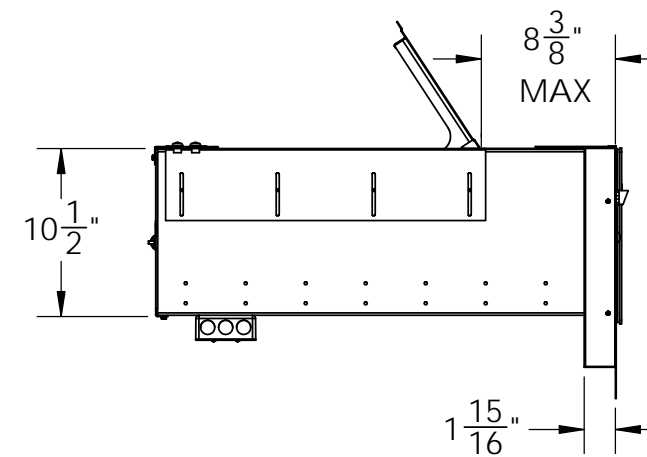
24068195 NATIONAL TDR PANEL ASSEMBLY



00500993 TRANSACTION DRAWER (SOLD SEPARATELY)



REAR/INTERIOR VIEW




MATERIAL: 18 GA. STAINLESS STEEL WITH #4 FINISH (CONTACT FACTORY FOR OTHER FINISHES).

MODEL 00500993 TRANSACTION DRAWER WITH OPERATOR SWITCH IS NOT INCLUDED IN THIS KIT.

ALL DIMENSIONS AND APPEARANCE ARE SUBJECT TO CHANGE WITHOUT NOTICE.

PROPRIETARY

THIS DOCUMENTATION AND INFORMATION CONTAINED ARE THE SOLE PROPERTY OF E.F. BAVIS & ASSOC., INC. IT SHALL BE RETURNED UPON REQUEST AND SHALL NOT BE REPRODUCED IN WHOLE OR IN PART, OR DISCLOSED TO ANYONE ELSE, OR USED, WITHOUT WRITTEN CONSENT OF E.F. BAVIS & ASSOC., INC.



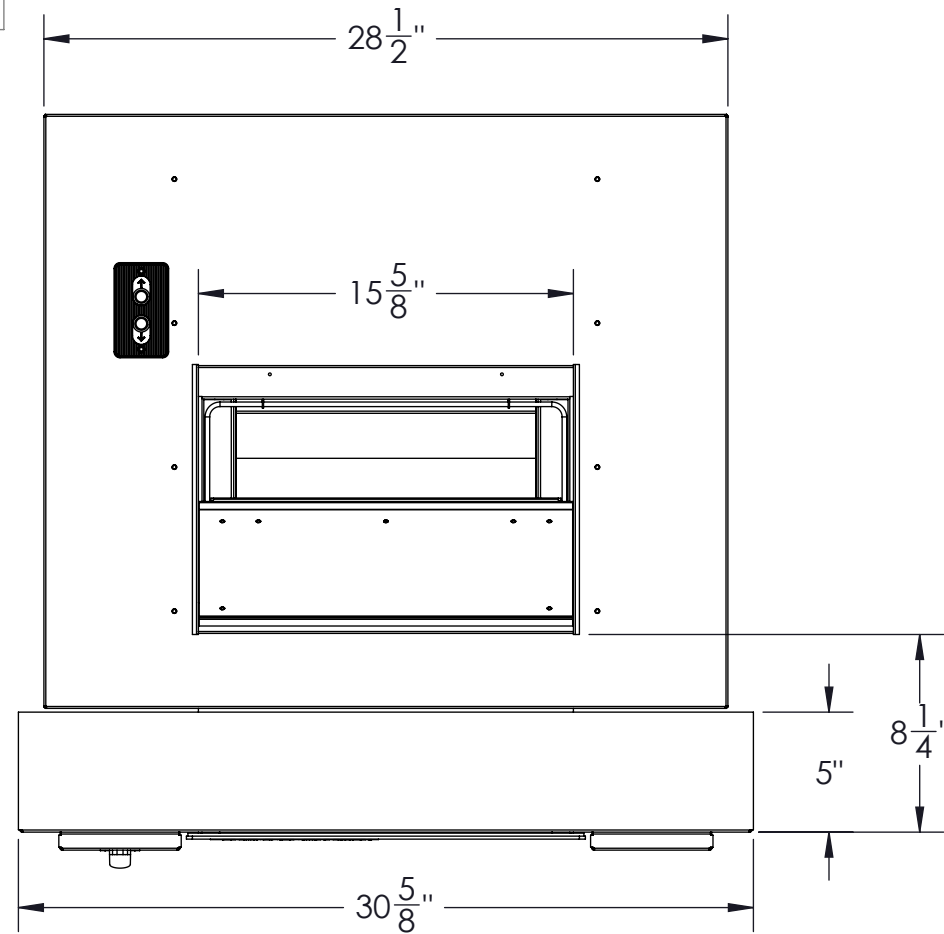
201 GRANDIN RD.
MAINEVILLE, OH 45039
T: 513.677.0500
F: 513.677.0552
WWW.BAVIS.COM

SIGNATURES		DATE	TITLE
DRAWN CLM		02/10/11	NATIONAL TDR PANEL ASSEMBLY
CHECKED			
ENGR.			
DIMENSIONS ARE IN INCHES		TOLERANCE UNLESS OTHERWISE NOTED:	
UNLESS OTHERWISE SPECIFIED		DECIMAL ± 0.015	
		FRACTION ± N/A	
ECN 12357		ANGULAR ± N/A	

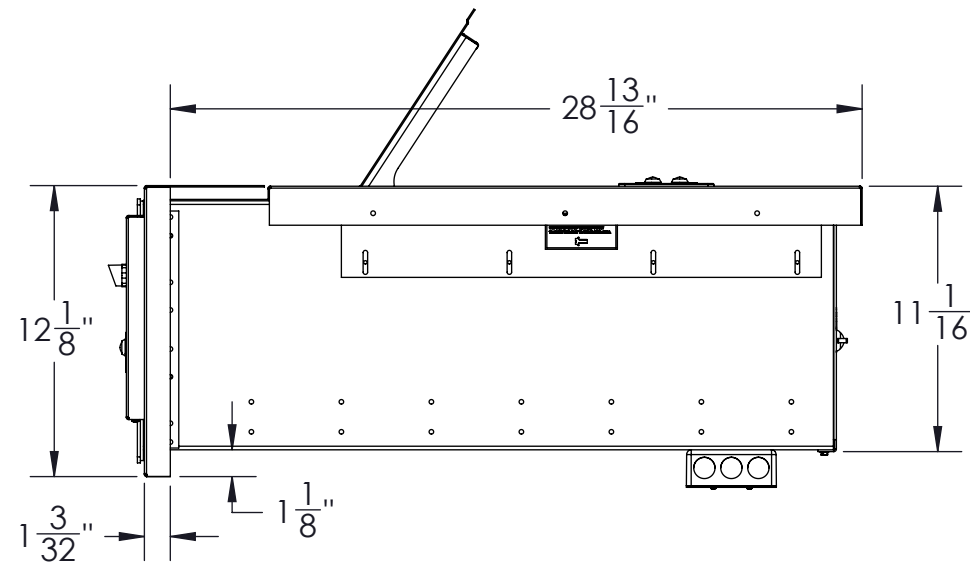
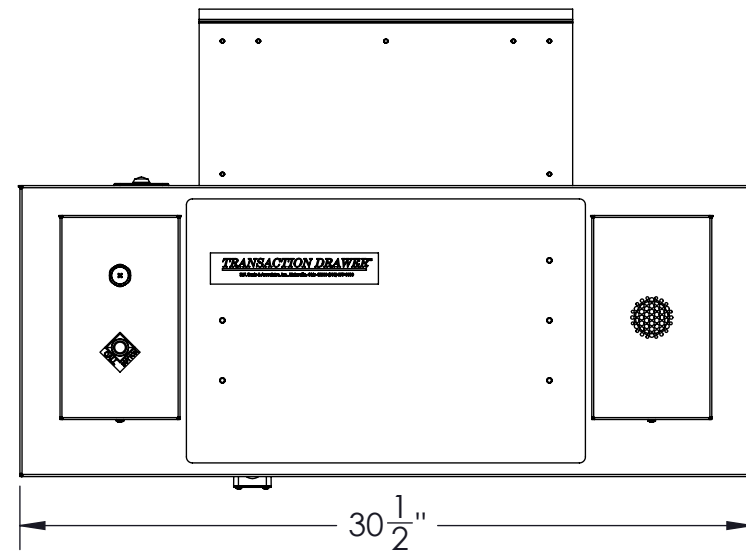
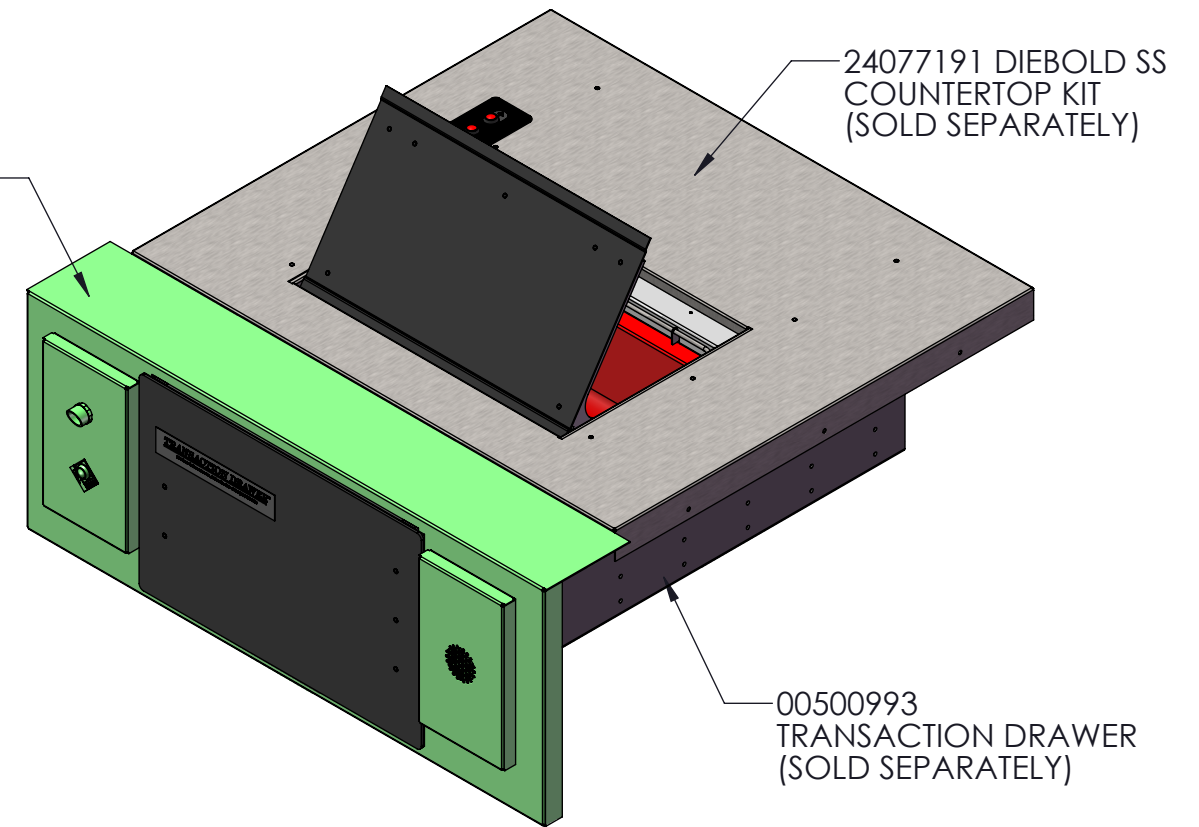
SIZE	DRAWING NO.	SHEET 1	Pg.
B	24068195	OF 1	21

24068196

DATE	ECN	REVISION RECORD	DR	CK
11/12/14	15819	CONVERT TO MODULAR AUDIO & RAIN SHED	MC	DM




24068196 DIEBOLD TDR CUSTOMER PANEL ASSEMBLY 4



MATERIAL: 18 GA. STAINLESS STEEL WITH #4 FINISH (CONTACT FACTORY FOR OTHER FINISHES).
 SPECIFY ON P.O. WHICH SPEAKER CONFIGURATION IS NEEDED
 MODEL 00500993 TRANSACTION DRAWER WITH OPERATOR SWITCH IS NOT INCLUDED IN THIS KIT.
 P/N 24077191 DIEBOLD SS COUNTERTOP KIT IS NOT INCLUDED IN THIS KIT.
 ALL DIMENSIONS AND APPEARANCE ARE SUBJECT TO CHANGE WITHOUT NOTICE.

PROPRIETARY

THIS DOCUMENTATION AND INFORMATION CONTAINED ARE THE SOLE PROPERTY OF E.F. BAVIS & ASSOC., INC. IT SHALL BE RETURNED UPON REQUEST AND SHALL NOT BE REPRODUCED IN WHOLE OR IN PART, OR DISCLOSED TO ANYONE ELSE, OR USED, WITHOUT WRITTEN CONSENT OF E.F. BAVIS & ASSOC., INC.

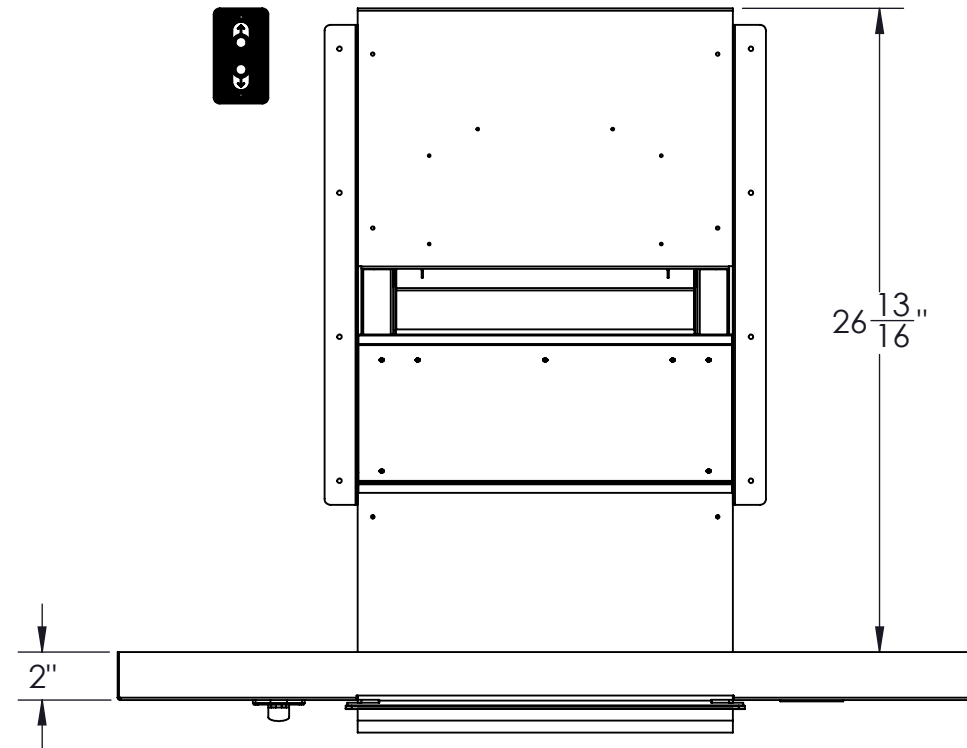


201 GRANDIN RD.
MAINEVILLE, OH 45039
T: 513.677.0500
F: 513.677.0552
WWW.BAVIS.COM

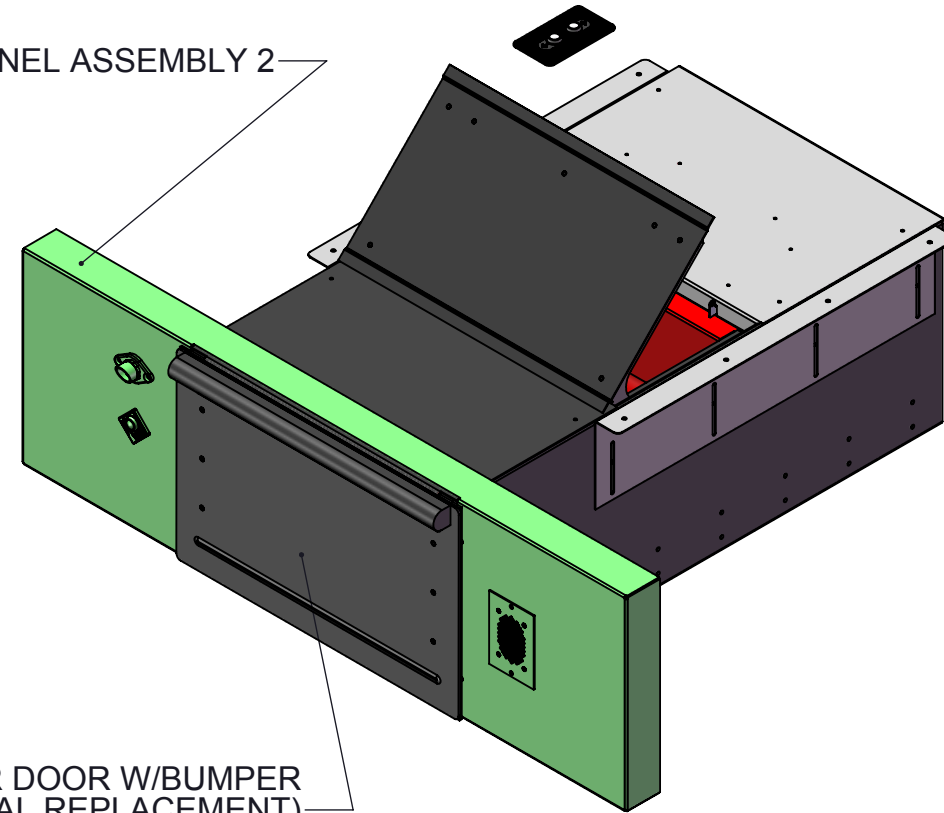
SIGNATURES		DATE	TITLE
DRAWN MJC		03/18/11	DIEBOLD TDR CUSTOMER PANEL ASSEMBLY 4 SHOWN WITH SS COUNTERTOP & 00500993 DRAWER
CHECKED			
ENGR.			
DIMENSIONS ARE IN INCHES	TOLERANCE UNLESS OTHERWISE NOTED:		
UNLESS OTHERWISE SPECIFIED	DECIMAL ±	N/A	
ECN	FRACTION ±	1/32	
12412	ANGULAR ±	N/A	

SIZE **B** DRAWING NO. **24068196**

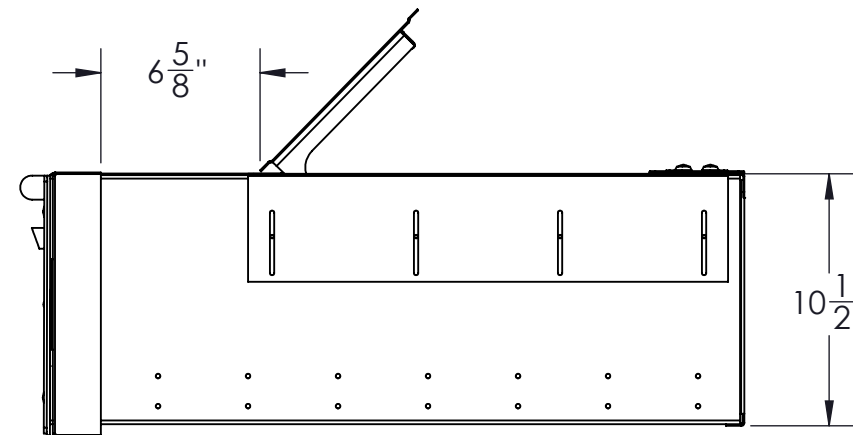
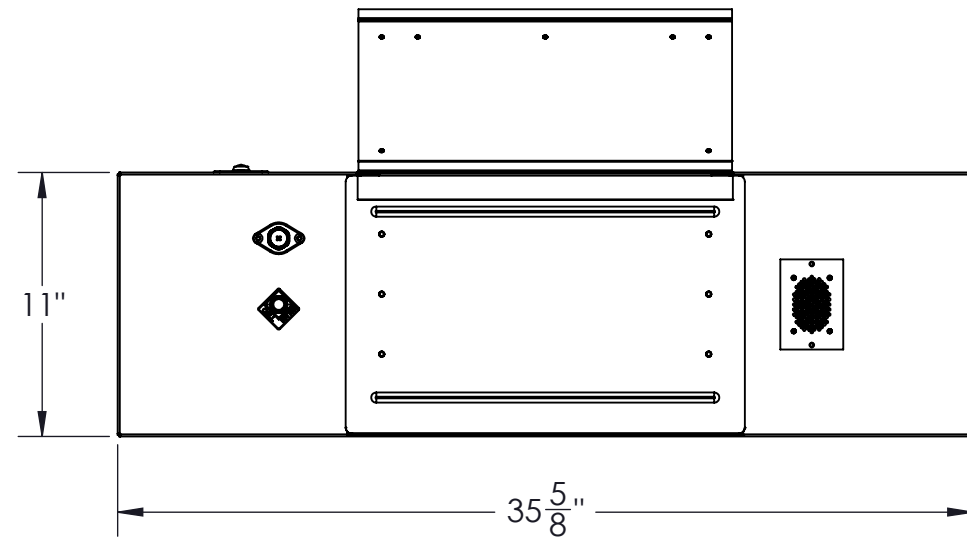
SHEET 2 OF 2



24068197 NATIONAL TDR PANEL ASSEMBLY 2



00513990 TD SHORT CUSTOMER DOOR W/BUMPER
(RECOMMENDED OPTION FOR NATIONAL REPLACEMENT)



REPLACES SOME NATIONAL DRAWERS. (00513990 TD CUSTOMER DOOR RECOMMENDED FOR SITES WITH THE DRAWER RECESSED INSIDE A STAINLESS STEEL FRAME.)

MATERIAL: 16 GA. GALVANNEALED STEEL WITH TEXTURED BLACK POWDER COAT FINISH.

MODEL 00500993 TRANSACTION DRAWER WITH OPERATOR SWITCH IS NOT INCLUDED IN THIS KIT.

ALL DIMENSIONS AND APPEARANCE ARE SUBJECT TO CHANGE WITHOUT NOTICE.

PROPRIETARY
THIS DOCUMENTATION AND INFORMATION CONTAINED ARE THE SOLE PROPERTY OF E.F.BAVIS & ASSOC., INC. IT SHALL BE RETURNED UPON REQUEST AND SHALL NOT BE REPRODUCED IN WHOLE OR IN PART, OR DISCLOSED TO ANYONE ELSE, OR USED, WITHOUT WRITTEN CONSENT OF E.F. BAVIS & ASSOC., INC.

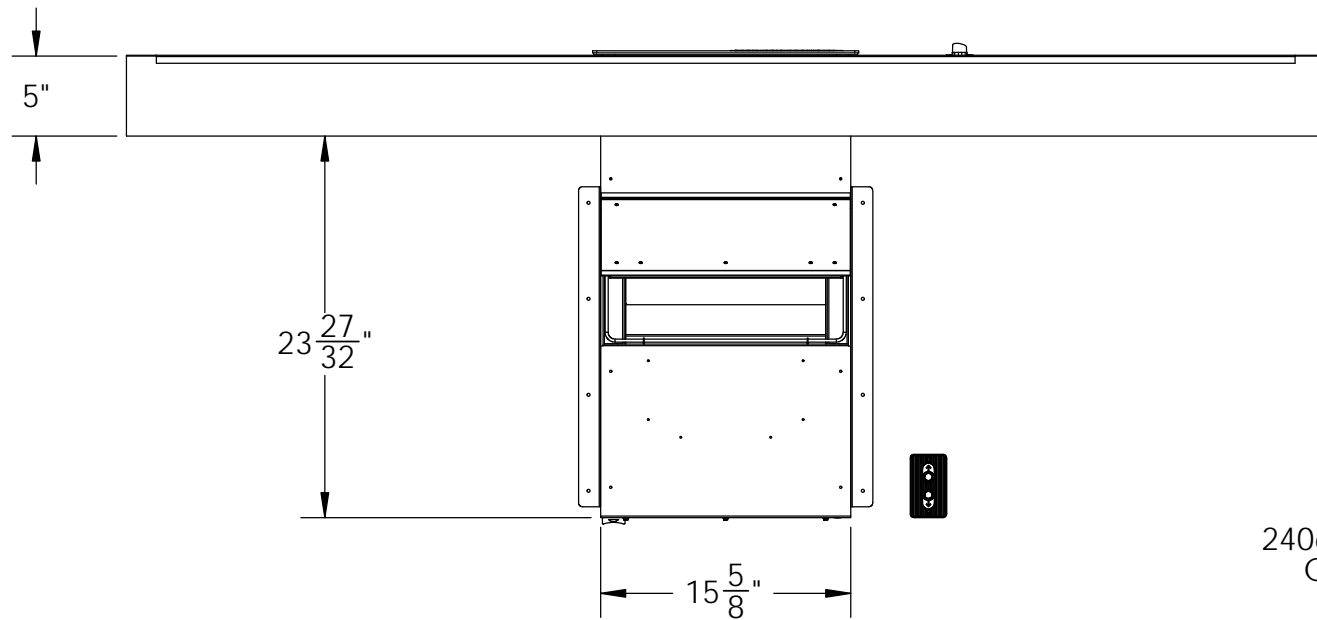


SIGNATURES		DATE	TITLE
DRAWN	MJC	03/29/11	NATIONAL TDR PANEL ASSEMBLY 2
CHECKED	DAL	03/29/11	
ENGR.			
DIMENSIONS ARE IN INCHES		TOLERANCE UNLESS OTHERWISE NOTED:	
UNLESS OTHERWISE SPECIFIED		DECIMAL ±	N/A
ECN		FRACTION ±	1/32
12472		ANGULAR ±	N/A
SIZE	B	DRAWING NO.	24068197
		SHEET	1
		OF	1

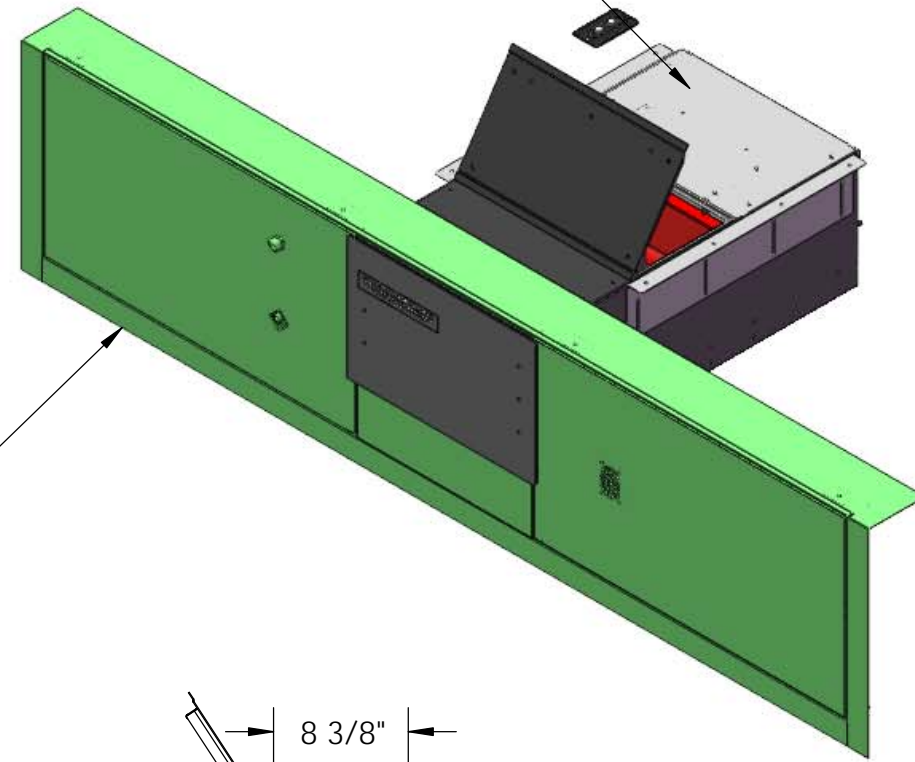
24068198

DATE	ECN	REVISION RECORD	DR	CK
01/16/19	19690	REPLACE SPEAKER & REMOVE BACKBOX	MC	DL
02/28/19	20061	REPLACE MIC NUT	MC	DM

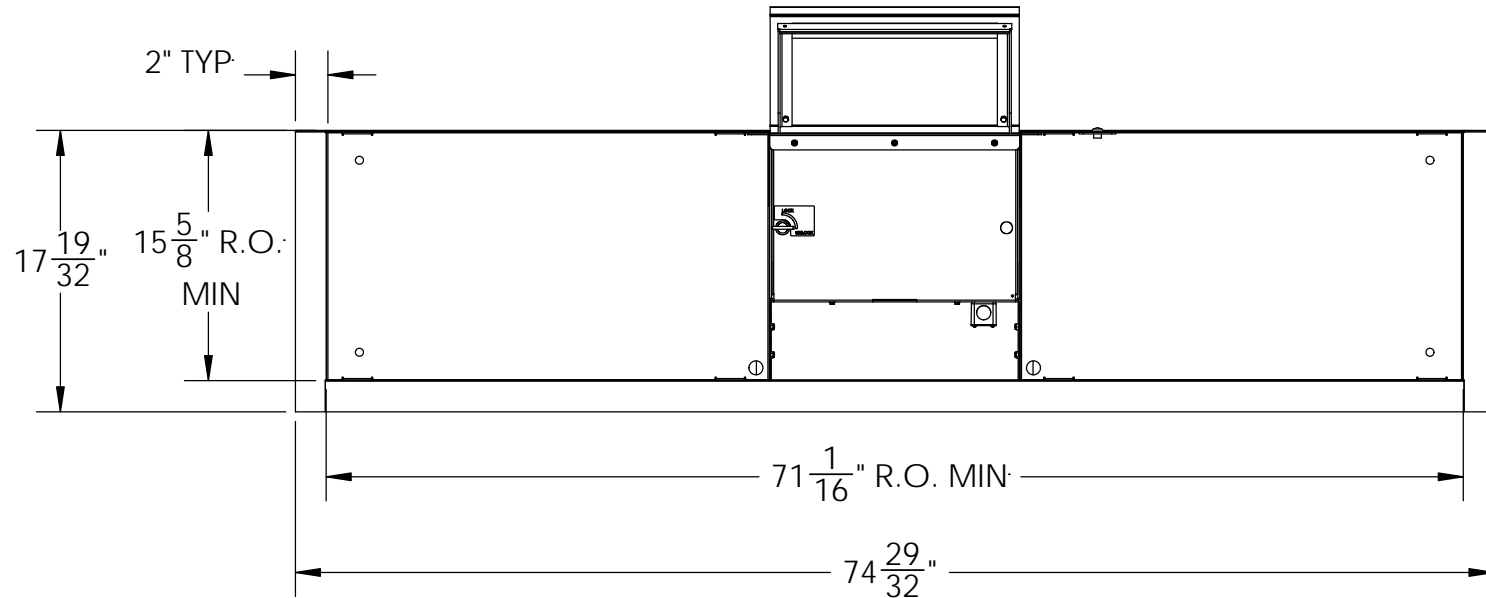
PLAN VIEW



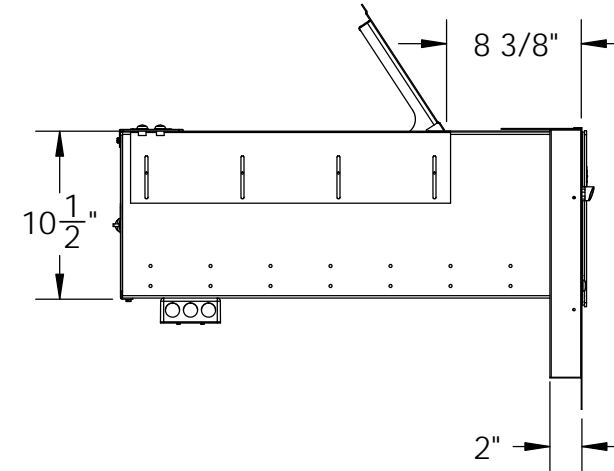
00500993 TRANSACTION DRAWER (SOLD SEPARATELY)



24068198 LARGE TDR CUSTOMER PANEL




REAR/INTERIOR VIEW



MATERIAL: 18 GA. STAINLESS STEEL WITH #4 FINISH (CONTACT FACTORY FOR OTHER FINISHES).
 MODEL 00500993 TRANSACTION DRAWER WITH OPERATOR SWITCH IS NOT INCLUDED IN THIS KIT.
 ALL DIMENSIONS AND APPEARANCE ARE SUBJECT TO CHANGE WITHOUT NOTICE.

PROPRIETARY

THIS DOCUMENTATION AND INFORMATION CONTAINED ARE THE SOLE PROPERTY OF E.F. BAVIS & ASSOC., INC. IT SHALL BE RETURNED UPON REQUEST AND SHALL NOT BE REPRODUCED IN WHOLE OR IN PART, OR DISCLOSED TO ANYONE ELSE, OR USED, WITHOUT WRITTEN CONSENT OF E.F. BAVIS & ASSOC., INC.



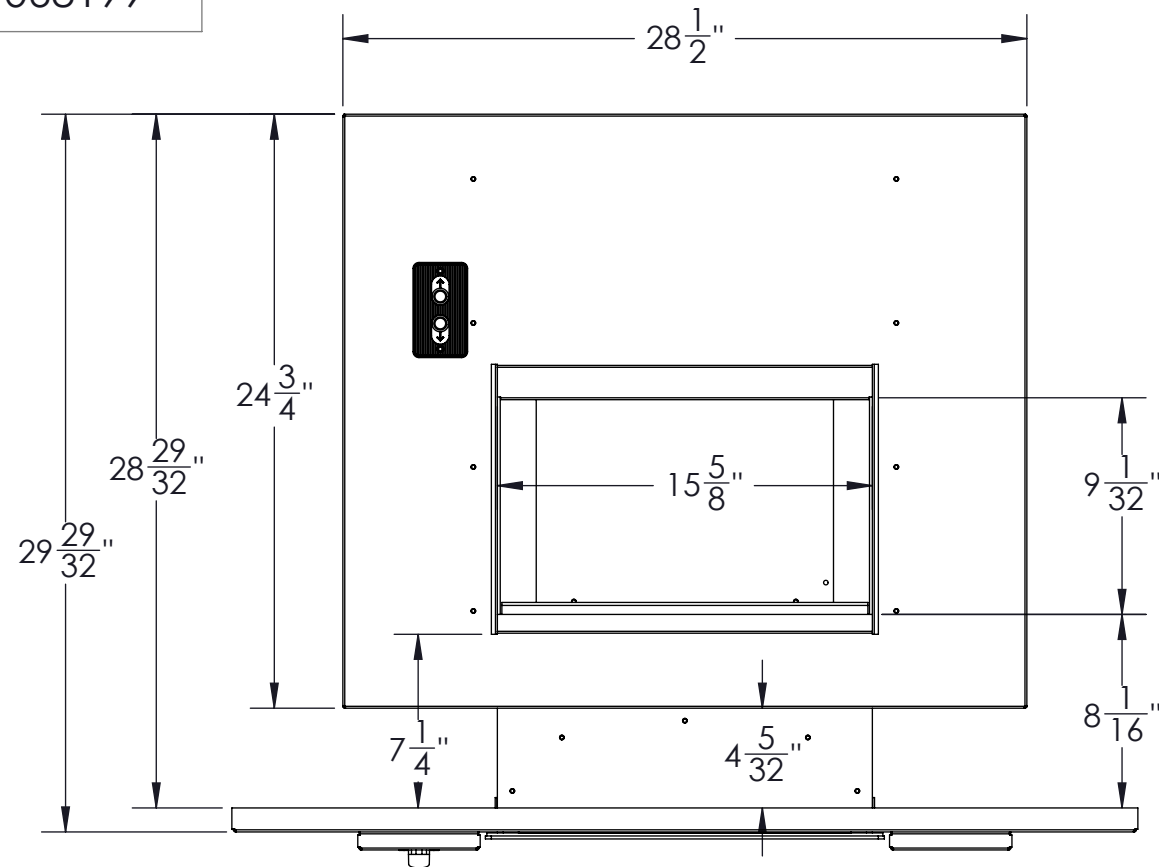
201 GRANDIN RD.
 MAINEVILLE, OH 45039
 T: 513.677.0500
 F: 513.677.0552
 WWW.BAVIS.COM

SIGNATURES		DATE	TITLE
DRAWN CLM		7/12/11	LARGE TDR CUSTOMER PANEL
CHECKED			
ENGR.			
DIMENSIONS ARE IN INCHES UNLESS OTHERWISE SPECIFIED		TOLERANCE UNLESS OTHERWISE NOTED: DECIMAL ± .005 FRACTION ± N/A ANGULAR ± N/A	
ECN	12688	SIZE	B

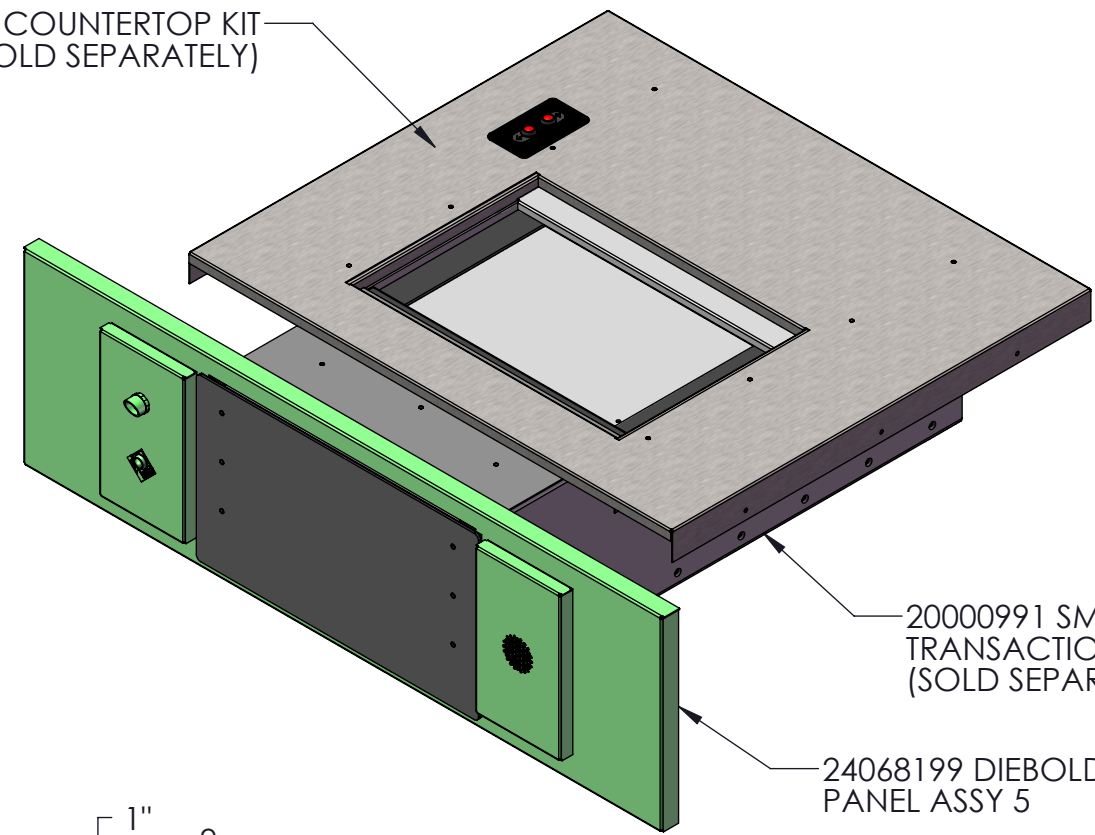
DRAWING NO. 24068198	SHEET 1 OF 1	Pg. 24
----------------------	--------------	--------

24068199

DATE	ECN	REVISION RECORD	DR	CK
08/18/14	15657	CHANGE TO MODULAR AUDIO & WATER SHED	MC	DL
08/21/15	16724	CHANGE TO DIEBOLD MIC/CALL BUTTON PANEL	MC	DL
05/17/17	18428	REMOVE DIEBOLD PANELS, ADD BAVIS PANELS	MC	DL

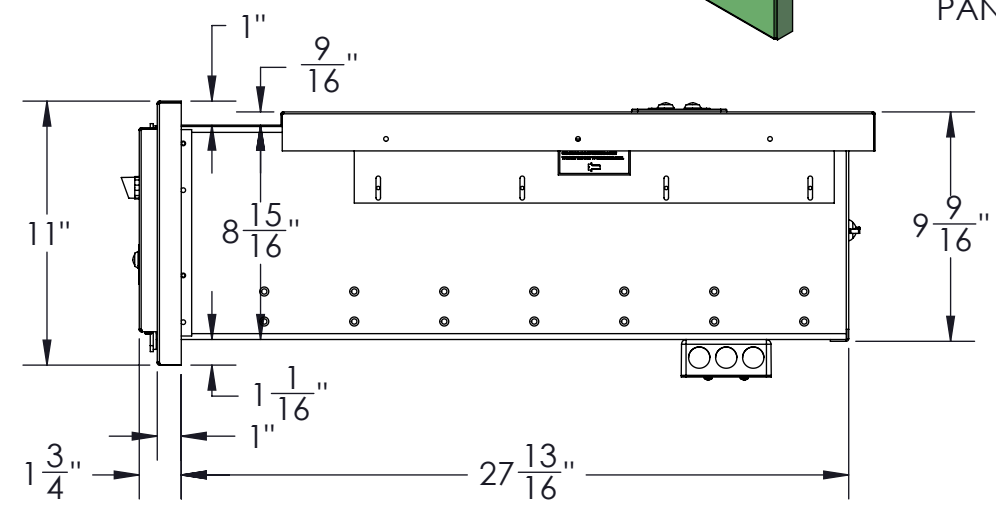
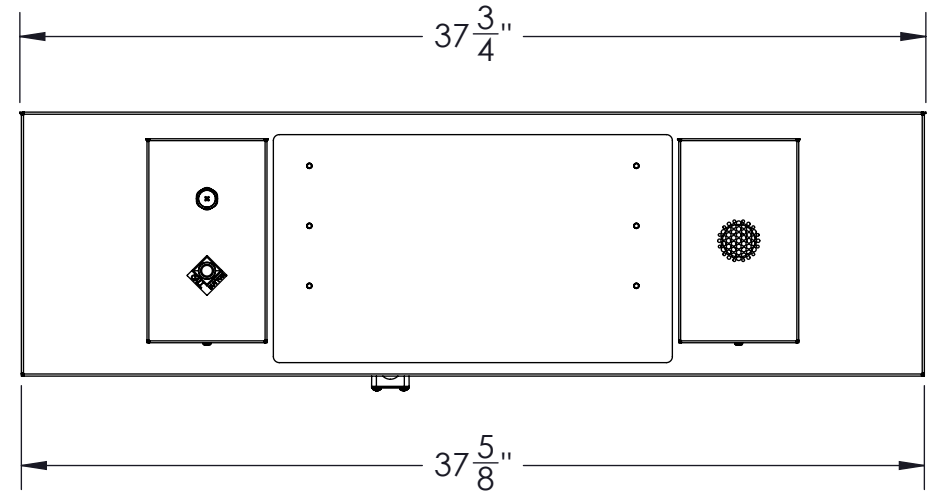


24077191 DIEBOLD SS COUNTERTOP KIT (SOLD SEPARATELY)



20000991 SMALL TRANSACTION DRAWER (SOLD SEPARATELY)


24068199 DIEBOLD TDR CUST PANEL ASSY 5



CAN BE USED FOR TRIM WHEN REPLACING SOME DIEBOLD SERIES DRAWER
 MATERIAL: 18 GA. STAINLESS STEEL WITH #4 FINISH (CONTACT FACTORY FOR OTHER FINISHES).
 MODEL 20000991 TRANSACTION DRAWER WITH OPERATOR SWITCH IS NOT INCLUDED IN THIS KIT.
 P.N. 24077191 DIEBOLD SS COUNTERTOP KIT IS NOT INCLUDED IN THIS KIT.
 ALL DIMENSIONS AND APPEARANCE ARE SUBJECT TO CHANGE WITHOUT NOTICE.

PROPRIETARY

THIS DOCUMENTATION AND INFORMATION CONTAINED ARE THE SOLE PROPERTY OF E.F. BAVIS & ASSOC., INC. IT SHALL BE RETURNED UPON REQUEST AND SHALL NOT BE REPRODUCED IN WHOLE OR IN PART, OR DISCLOSED TO ANYONE ELSE, OR USED, WITHOUT WRITTEN CONSENT OF E.F. BAVIS & ASSOC., INC.



201 GRANDIN RD.
MAINEVILLE, OH 45039
T: 513.677.0500
F: 513.677.0552
WWW.BAVIS.COM

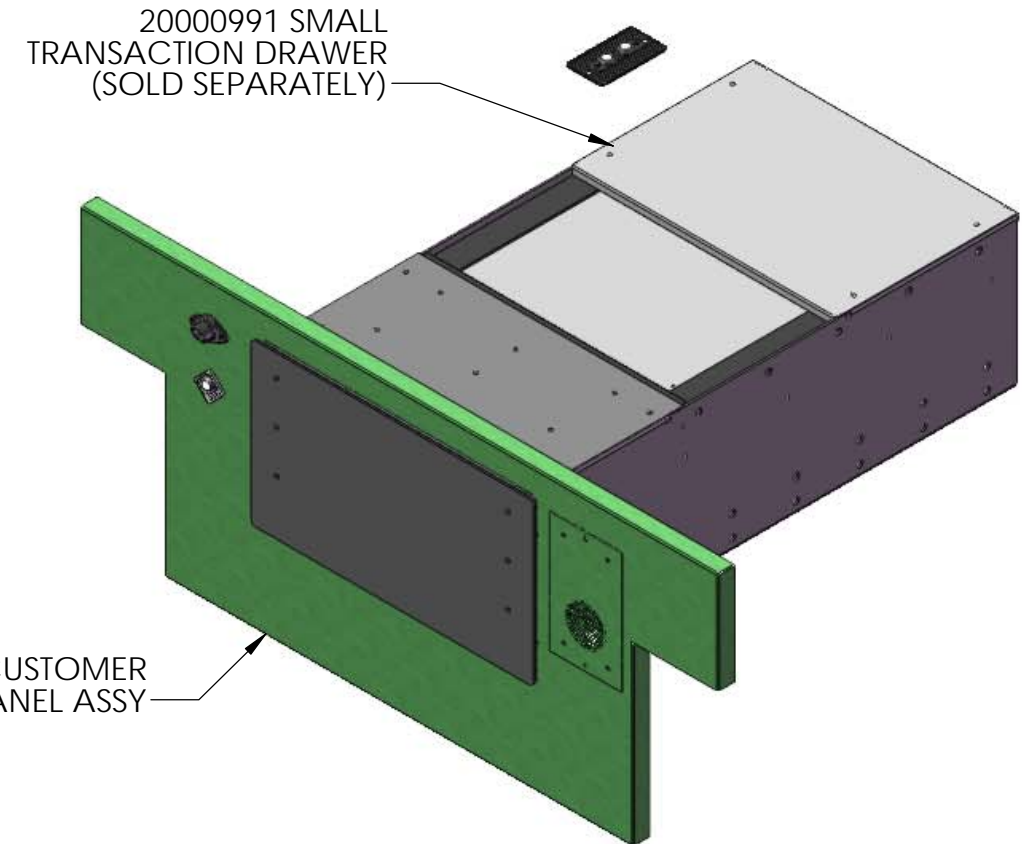
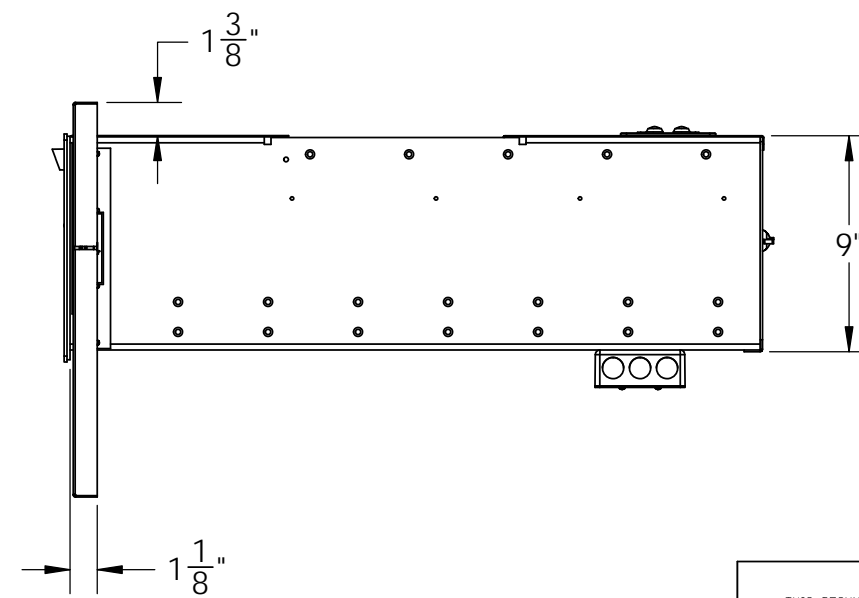
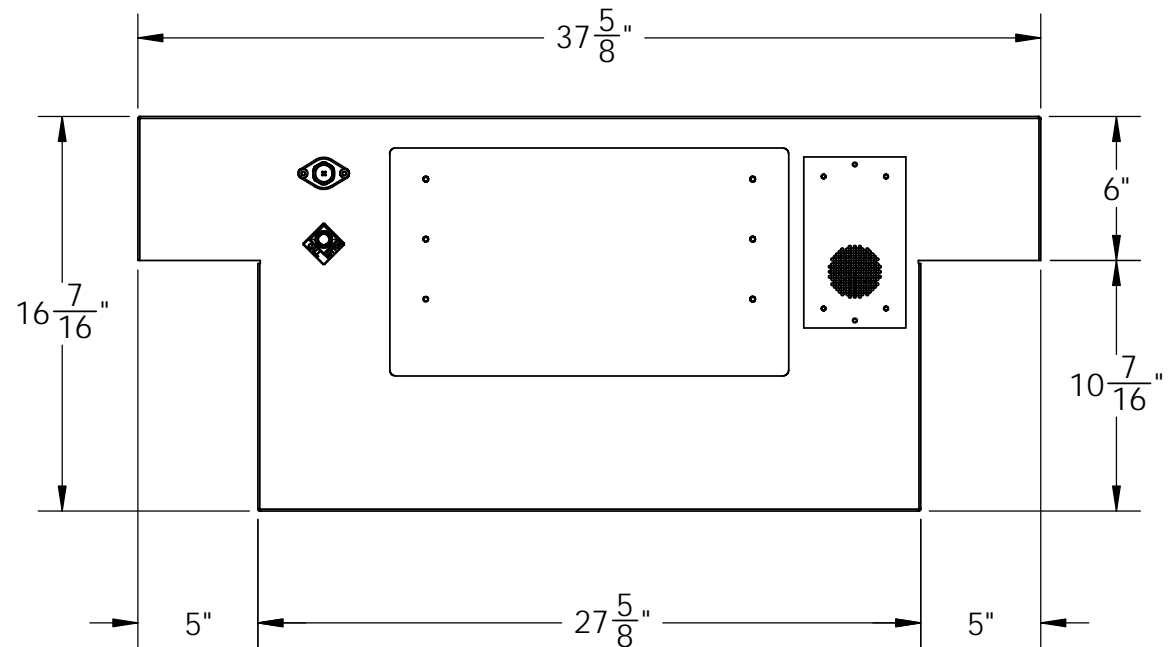
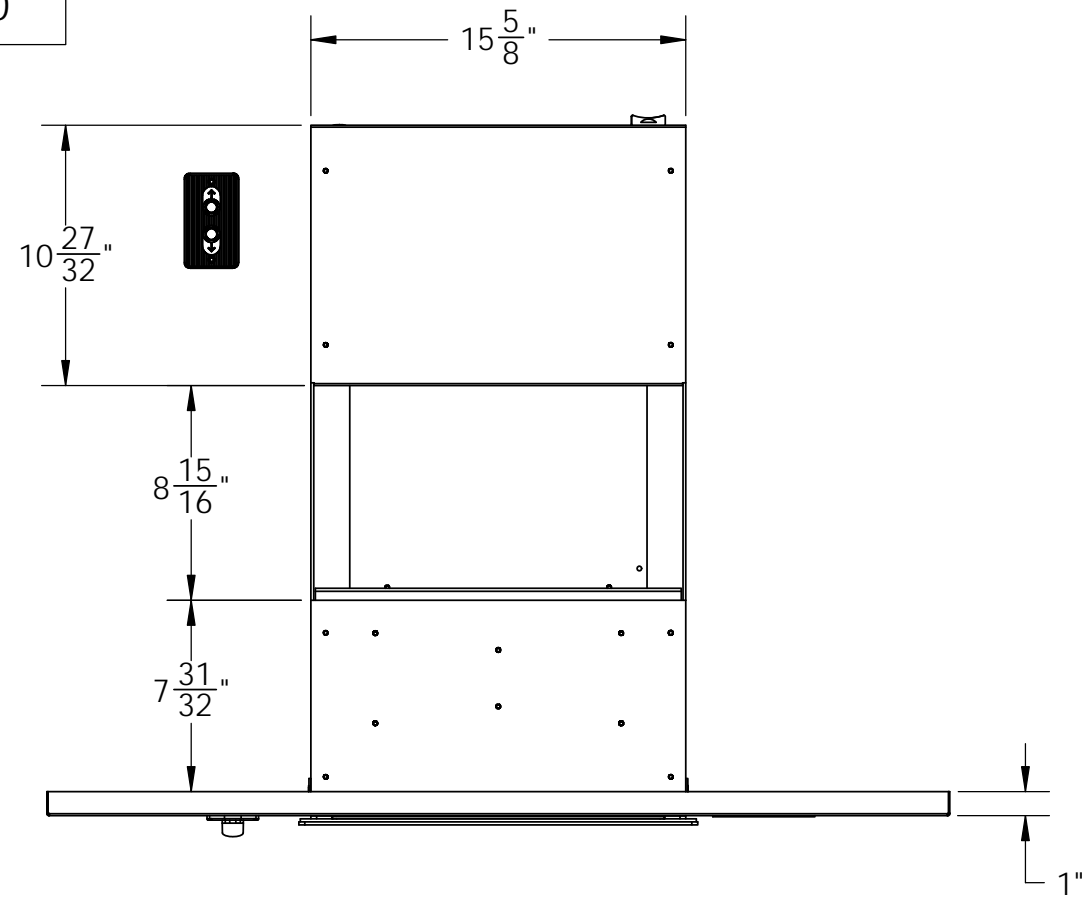
<small>SIGNATURES</small>	<small>DATE</small>	<small>TITLE</small>
DRAWN: MJC	10/20/11	DIEBOLD TDR CUST PANEL ASSY 5 37-5/8" X 11" X 1"
CHECKED:		
ENGR.:		
<small>DIMENSIONS ARE IN INCHES</small>	<small>TOLERANCE UNLESS OTHERWISE NOTED:</small>	
<small>UNLESS OTHERWISE SPECIFIED</small>	DECIMAL ± N/A	
ECN: 13057	FRACTION ± 1/32	
	ANGULAR ± N/A	

SIZE: B

DRAWING NO.: 24068199

SHEET: 2

OF: 2



MATERIAL: 18 GA. STAINLESS STEEL WITH #4 FINISH (CONTACT FACTORY FOR OTHER FINISHES).
 MODEL 20000991 SMALL TRANSACTION DRAWER WITH OPERATOR SWITCH IS NOT INCLUDED IN THIS KIT.
 DIEBOLD AUDIO MODUAL/SPEAKER NOT INCLUDED.
 ALL DIMENSIONS AND APPEARANCE ARE SUBJECT TO CHANGE WITHOUT NOTICE.

PROPRIETARY

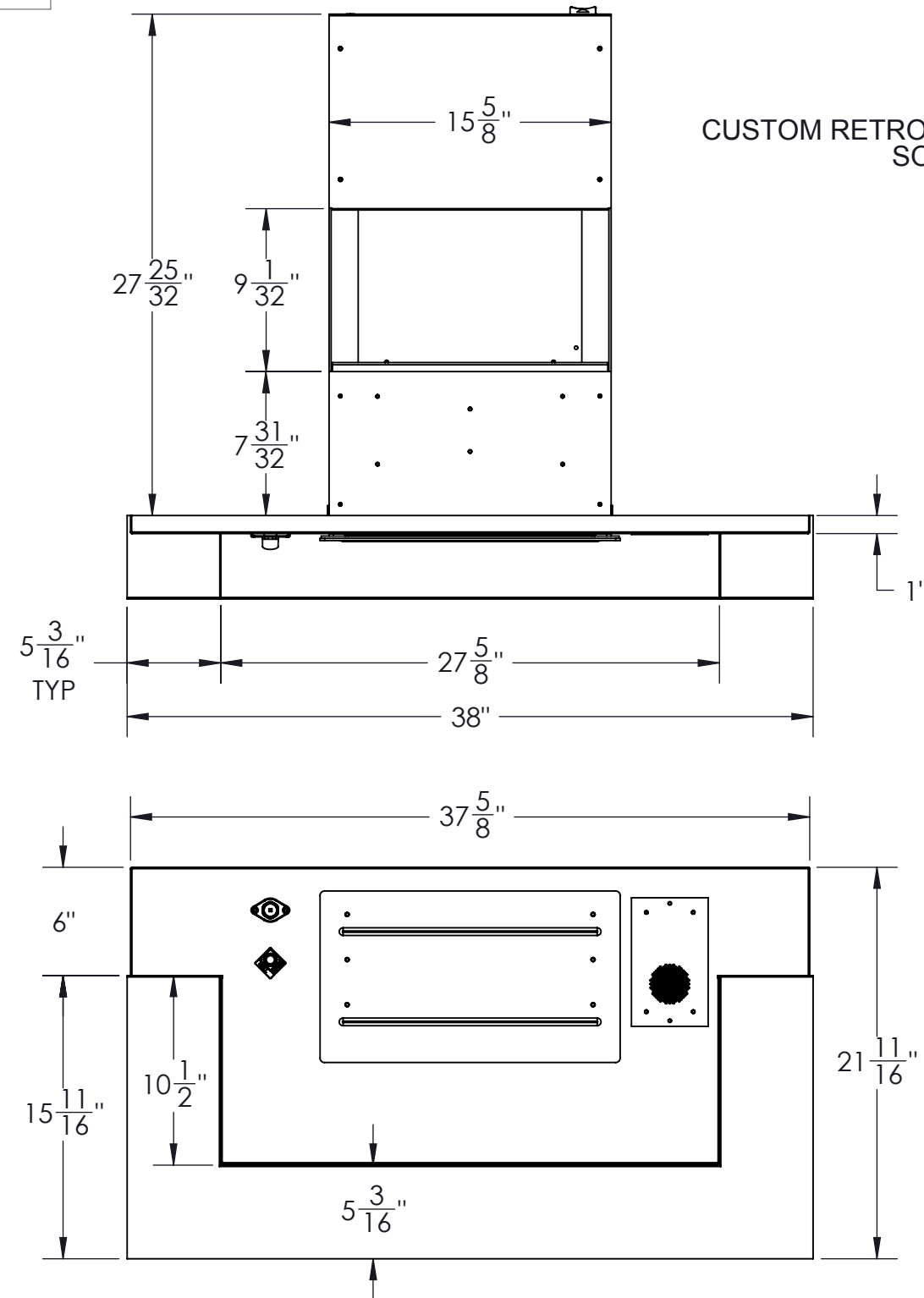
THIS DOCUMENTATION AND INFORMATION CONTAINED ARE THE SOLE PROPERTY OF E.F. BAVIS & ASSOC., INC. IT SHALL BE RETURNED UPON REQUEST AND SHALL NOT BE REPRODUCED IN WHOLE OR IN PART, OR DISCLOSED TO ANYONE ELSE, OR USED, WITHOUT WRITTEN CONSENT OF E.F. BAVIS & ASSOC., INC.



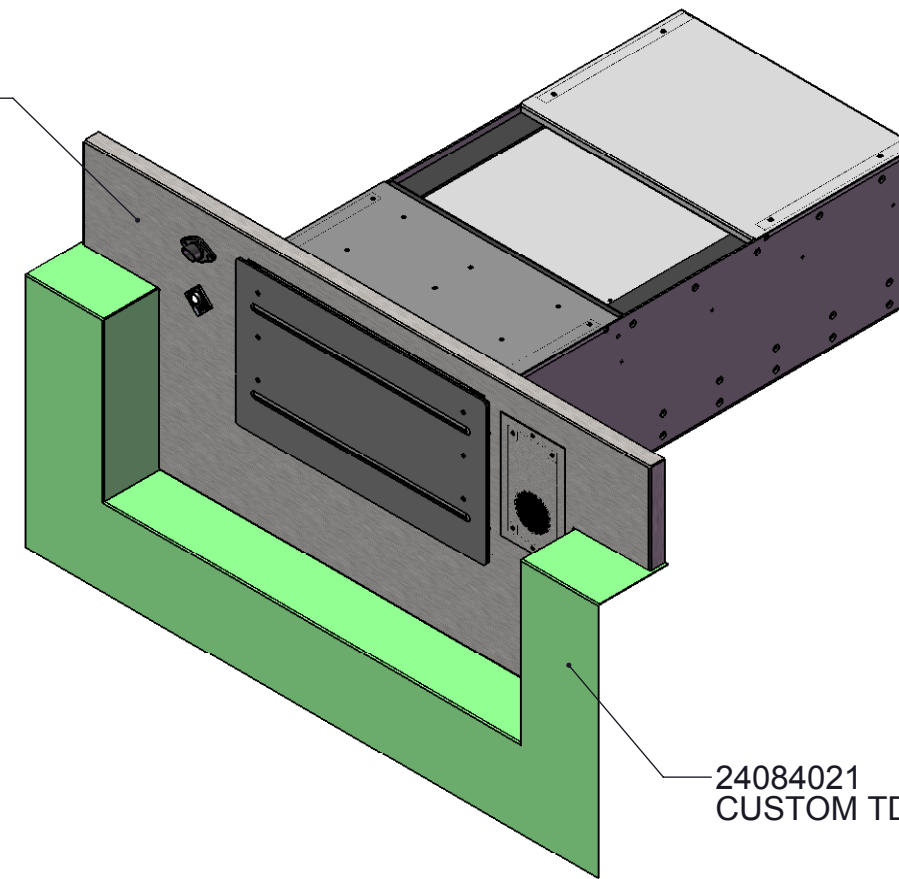
201 GRANDIN RD.
 MAINEVILLE, OH 45039
 T: 513.677.0500
 F: 513.677.0552
 WWW.BAVIS.COM

SIGNATURES		DATE	TITLE
DRAWN MJC		11/16/11	CUSTOM RETROFIT PANEL ASSY
CHECKED			
ENGR.			
DIMENSIONS ARE IN INCHES	TOLERANCE UNLESS OTHERWISE NOTED:		
UNLESS OTHERWISE SPECIFIED	DECIMAL ± N/A	FRACTION ± 1/32	
ECN 13179	ANGULAR ± N/A		

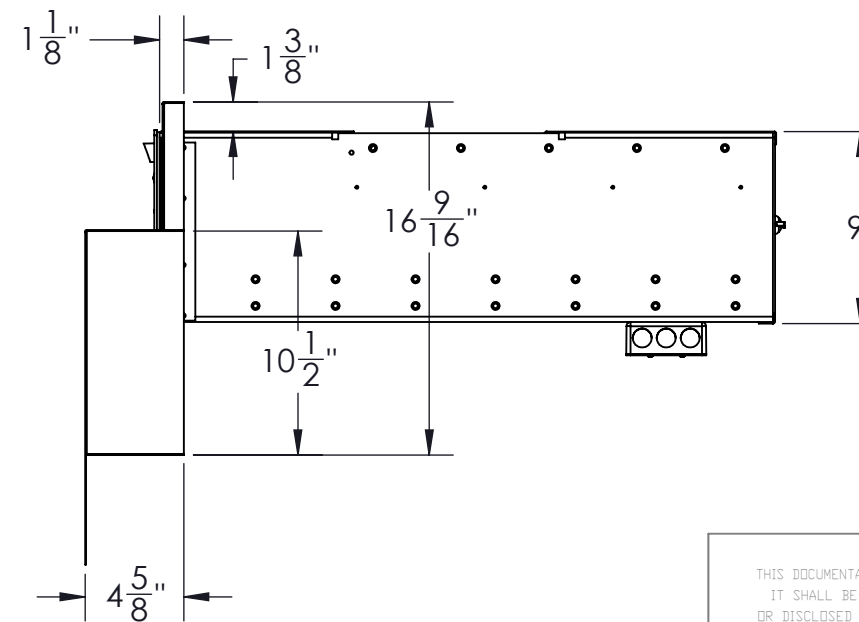
SIZE	DRAWING NO.	SHEET	OF
B	24068200	2	3



24068200
CUSTOM RETROFIT PANEL ASSY.
SOLD SEPARATELY



24084021
CUSTOM TDR TRIM ANGLE



MATERIAL: 18 GA. STAINLESS STEEL WITH #4 FINISH (CONTACT FACTORY FOR OTHER FINISHES).
 MODEL 20000991 TRANSACTION DRAWER WITH OPERATOR SWITCH IS NOT INCLUDED IN THIS KIT.
 PART NUMBER 24068200 CUSTOM RETROFIT PANEL ASSY IS NOT INCLUDED IN THIS KIT.
 DIEBOLD AUDIO MODUAL/SPEAKER NOT INCLUDED.
 ALL DIMENSIONS AND APPEARANCE ARE SUBJECT TO CHANGE WITHOUT NOTICE.

PROPRIETARY

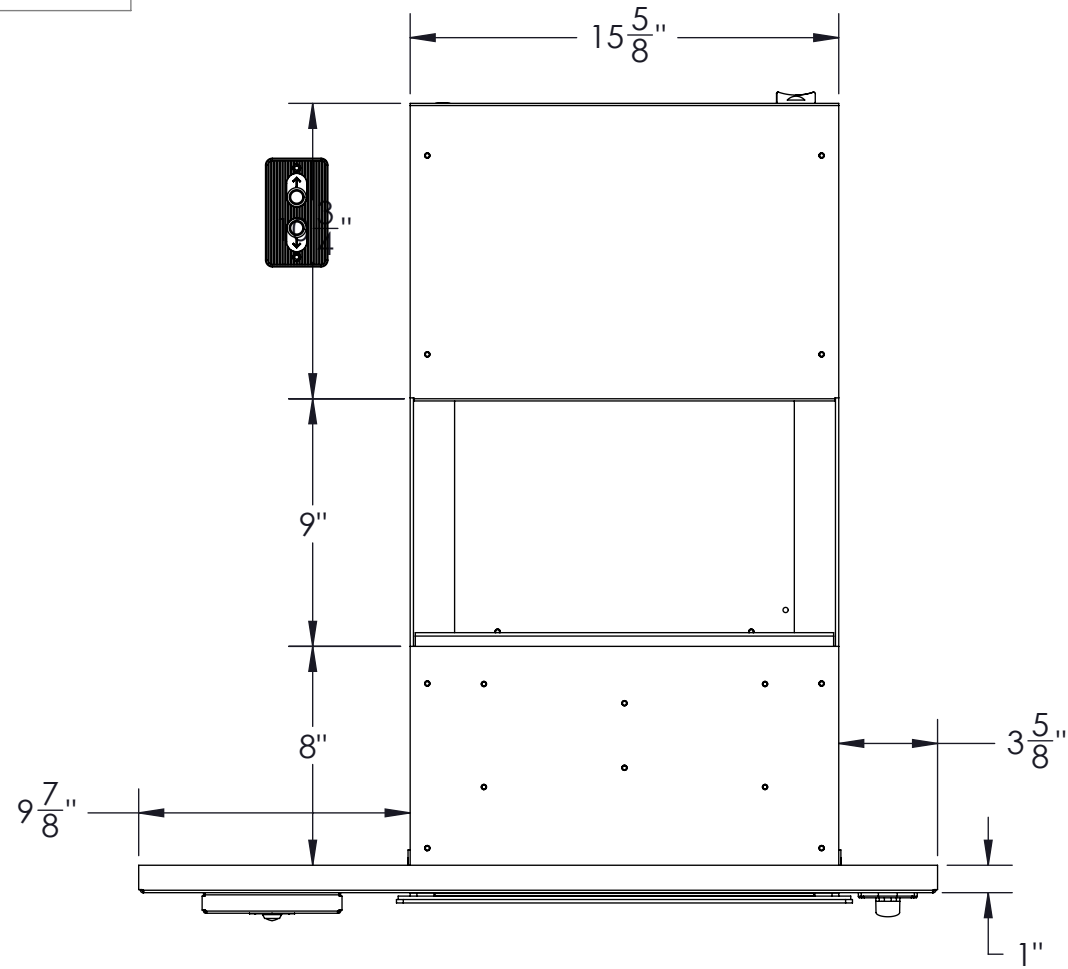
THIS DOCUMENTATION AND INFORMATION CONTAINED ARE THE SOLE PROPERTY OF E.F.BAVIS & ASSOC., INC. IT SHALL BE RETURNED UPON REQUEST AND SHALL NOT BE REPRODUCED IN WHOLE OR IN PART, OR DISCLOSED TO ANYONE ELSE, OR USED, WITHOUT WRITTEN CONSENT OF E.F. BAVIS & ASSOC., INC.



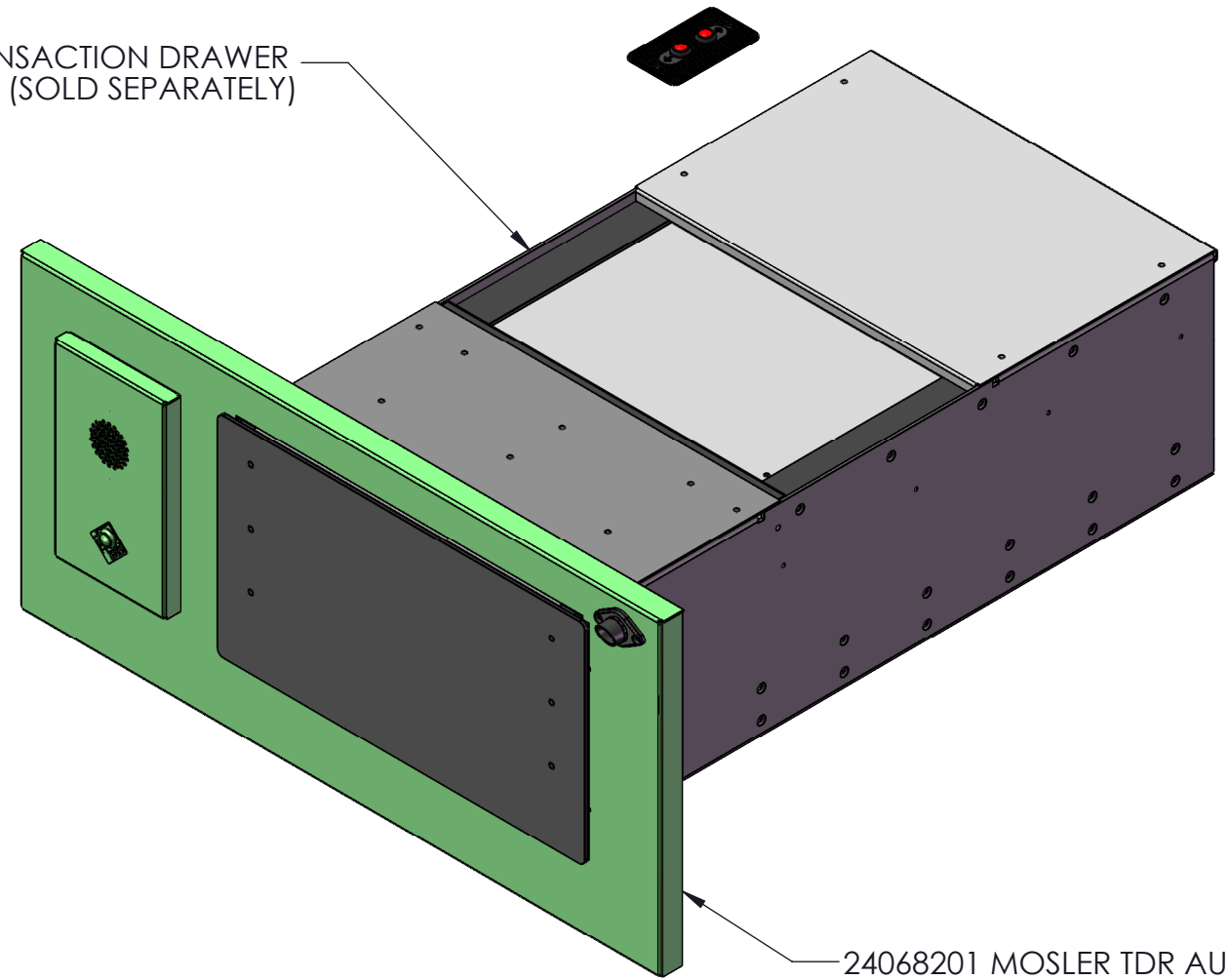
201 GRANDIN RD.
MAINEVILLE, OH 45039
T: 513.677.0500
F: 513.677.0552
WWW.BAVIS.COM

SIGNATURES		DATE	TITLE
DRAWN MJC		11/16/11	CUSTOM TDR TRIM ANGLE
CHECKED			
ENGR.			
DIMENSIONS ARE IN INCHES		TOLERANCE UNLESS OTHERWISE NOTED:	
UNLESS OTHERWISE SPECIFIED		DECIMAL ± N/A	
ECN 13153		FRACTION ± 1/32	
		ANGULAR ± N/A	

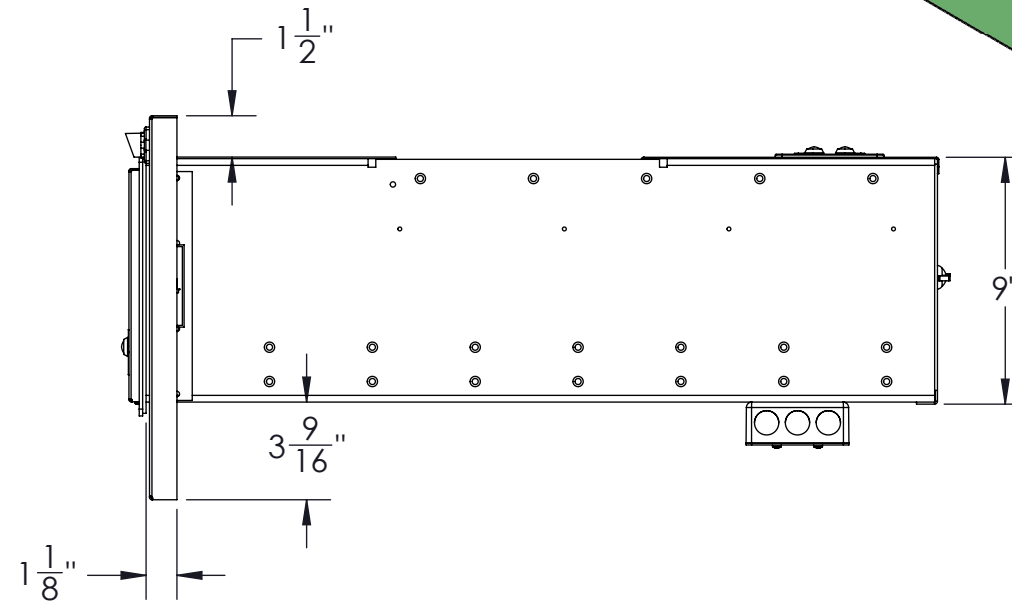
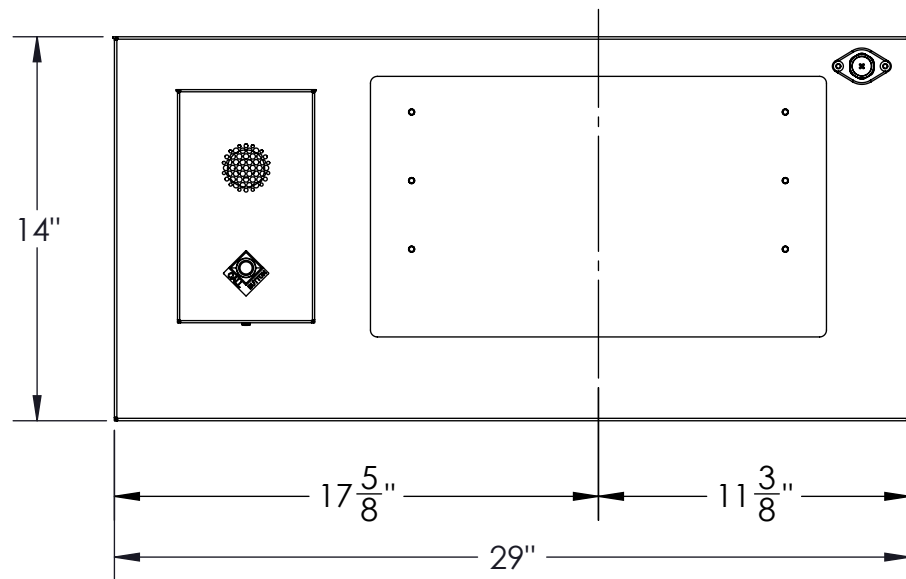
SIZE	DRAWING NO.	SHEET	OF
B	24084021	1	1



20000991 SMALL TRANSACTION DRAWER (SOLD SEPARATELY)



24068201 MOSLER TDR AUDIO PANEL ASSY



MATERIAL: 18 GA. STAINLESS STEEL WITH #4 FINISH (CONTACT FACTORY FOR OTHER FINISHES).
 MODEL 20000991 TRANSACTION DRAWER WITH OPERATOR SWITCH IS NOT INCLUDED IN THIS KIT.
 ALL DIMENSIONS AND APPEARANCE ARE SUBJECT TO CHANGE WITHOUT NOTICE.

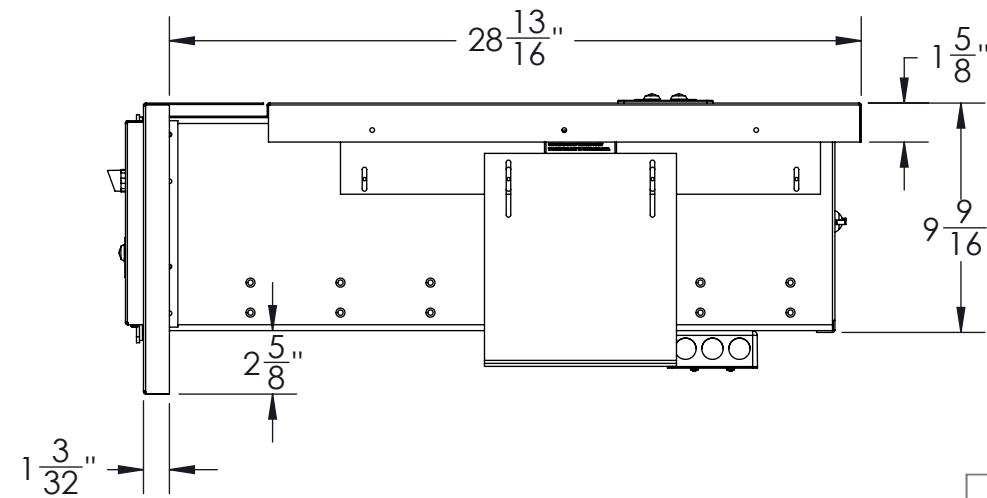
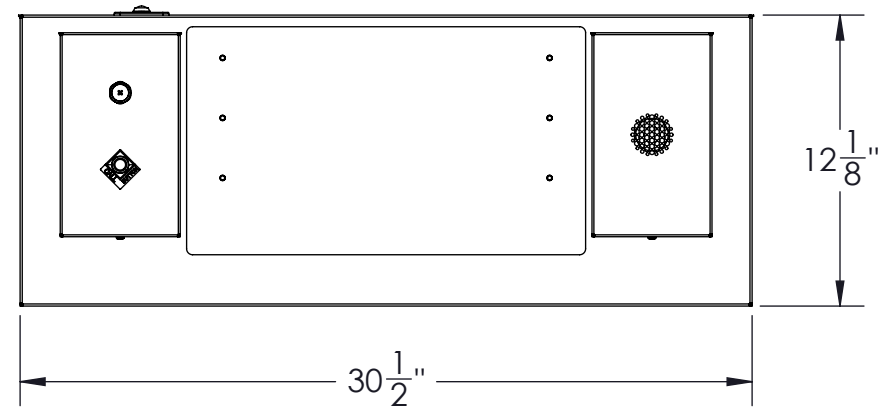
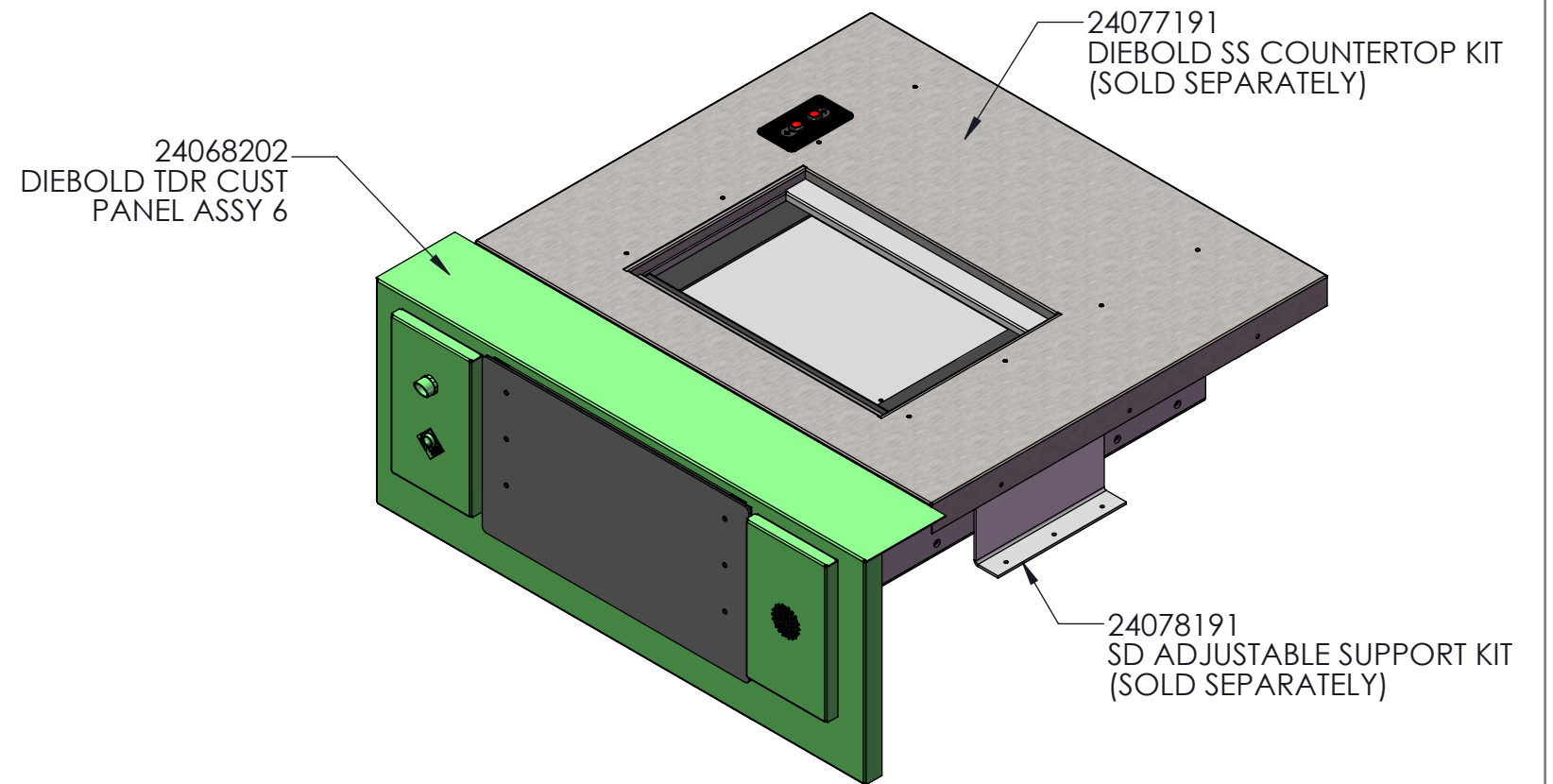
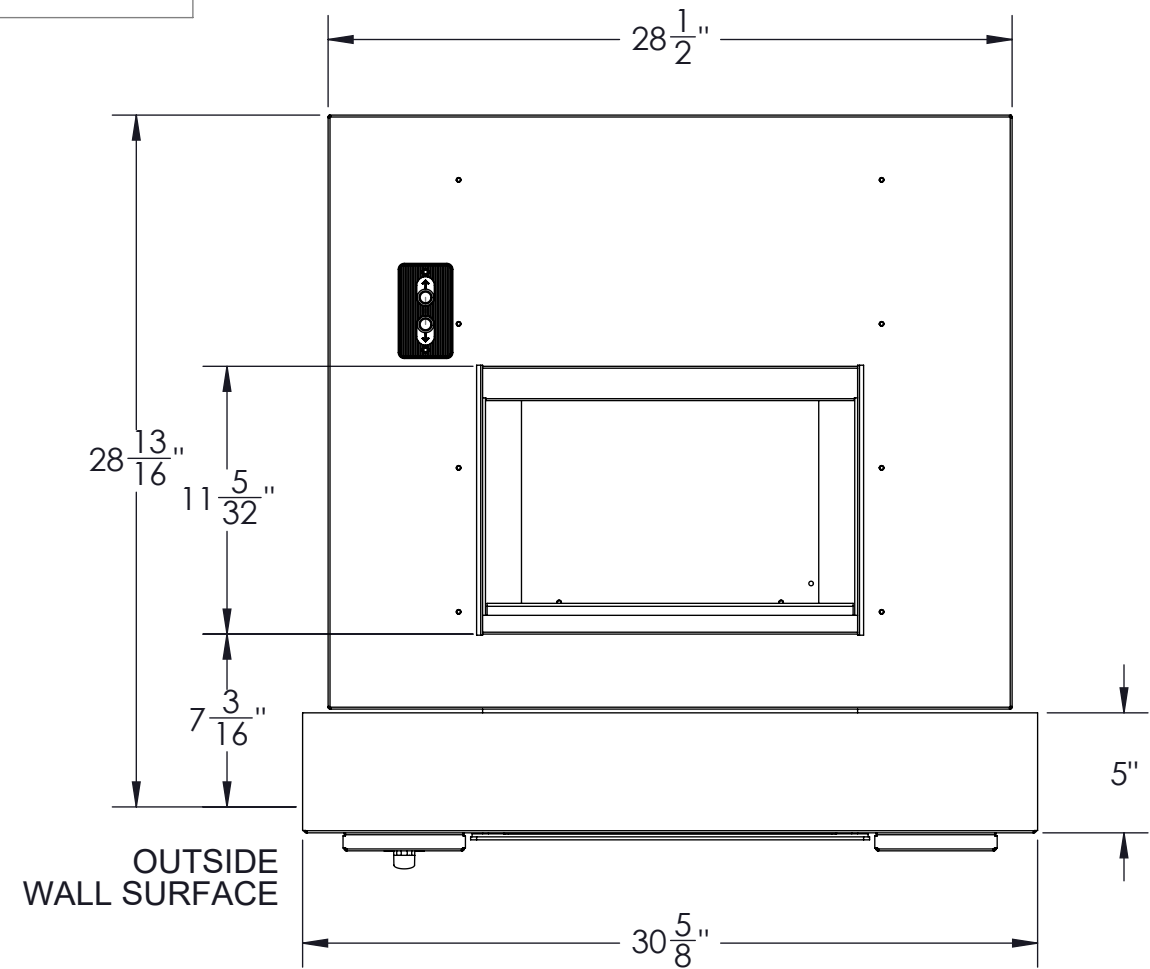
PROPRIETARY
 THIS DOCUMENTATION AND INFORMATION CONTAINED ARE THE SOLE PROPERTY OF E.F. BAVIS & ASSOC., INC. IT SHALL BE RETURNED UPON REQUEST AND SHALL NOT BE REPRODUCED IN WHOLE OR IN PART, OR DISCLOSED TO ANYONE ELSE, OR USED, WITHOUT WRITTEN CONSENT OF E.F. BAVIS & ASSOC., INC.

201 GRANDIN RD.
 MAINEVILLE, OH 45039
 T: 513.677.0500
 F: 513.677.0552
 WWW.BAVIS.COM

SIGNATURES		DATE	TITLE
DRAWN MJC		12/07/11	MOSLER TDR AUDIO PANEL ASSY
CHECKED			
ENGR.			
DIMENSIONS ARE IN INCHES	TOLERANCE UNLESS OTHERWISE NOTED:		
UNLESS OTHERWISE SPECIFIED	DECIMAL ±	N/A	
ECN	FRACTION ±	1/32	
13207	ANGULAR ±	N/A	
SIZE B	DRAWING NO.	24068201	SHEET 1 OF 1

24068202

DATE	ECN	REVISION RECORD	DR	CK
01/19/15	16027	CONVERT TO MODULAR AUDIO & RAIN SHED	MC	DM
08/21/15	16727	CHANGE TO DIEBOLD MIC/CALL BUTTON PANEL	MC	DL
05/17/17	18429	REMOVE DIEBOLD PANELS, ADD BAVIS PANELS	MC	DL



REPLACES SOME DIEBOLD COUNTERETTE SERIES DRAWER

MATERIAL: 18 GA. STAINLESS STEEL WITH #4 FINISH (CONTACT FACTORY FOR OTHER FINISHES).


MODEL 20000991 TRANSACTION DRAWER WITH OPERATOR SWITCH IS NOT INCLUDED IN THIS KIT.

P.N. 24077191 SS COUNTERTOP & P.N. 24078191 SD ADJUSTABLE SUPPORT ARE NOT INCLUDED IN THIS KIT.

ALL DIMENSIONS AND APPEARANCE ARE SUBJECT TO CHANGE WITHOUT NOTICE.

PROPRIETARY

THIS DOCUMENTATION AND INFORMATION CONTAINED ARE THE SOLE PROPERTY OF E.F. BAVIS & ASSOC., INC. IT SHALL BE RETURNED UPON REQUEST AND SHALL NOT BE REPRODUCED IN WHOLE OR IN PART, OR DISCLOSED TO ANYONE ELSE, OR USED, WITHOUT WRITTEN CONSENT OF E.F. BAVIS & ASSOC., INC.



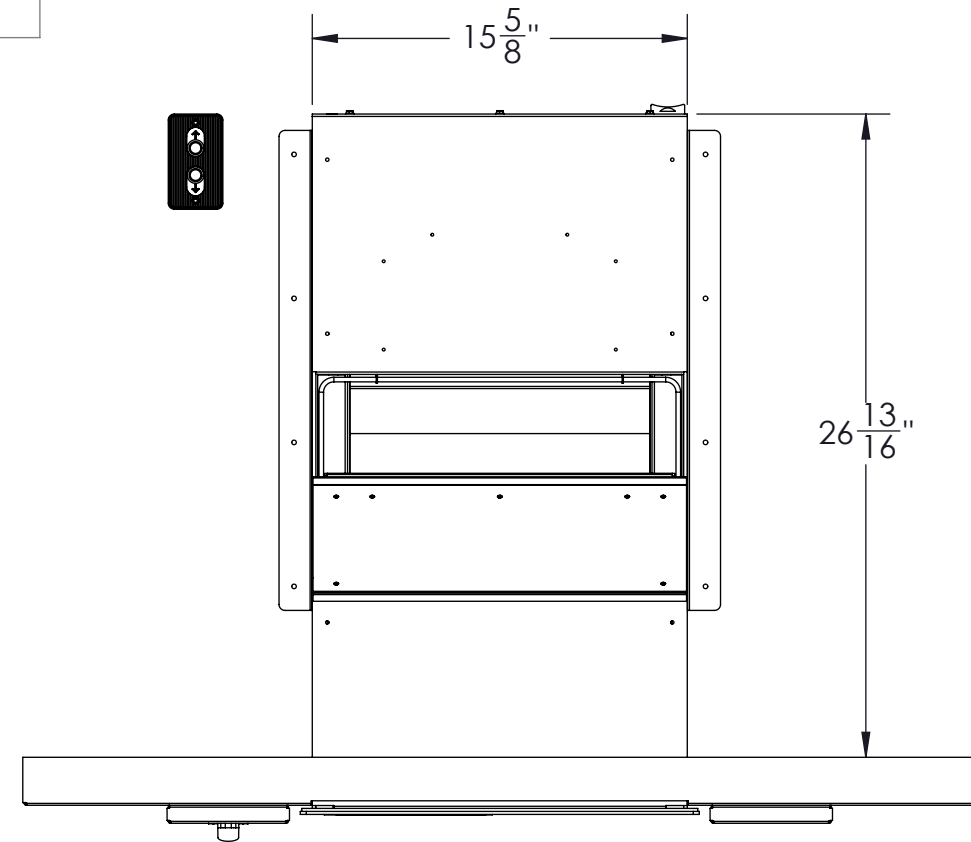
201 GRANDIN RD.
MAINEVILLE, OH 45039
T: 513.677.0500
F: 513.677.0552
WWW.BAVIS.COM

SIGNATURES		DATE	TITLE
DRAWN		MJC	02/28/12
CHECKED			
ENGR.			
DIMENSIONS ARE IN INCHES		TOLERANCE UNLESS OTHERWISE NOTED:	
UNLESS OTHERWISE SPECIFIED		DECIMAL ± N/A	
ECN		FRACTION ± 1/32	
13525		ANGULAR ± N/A	

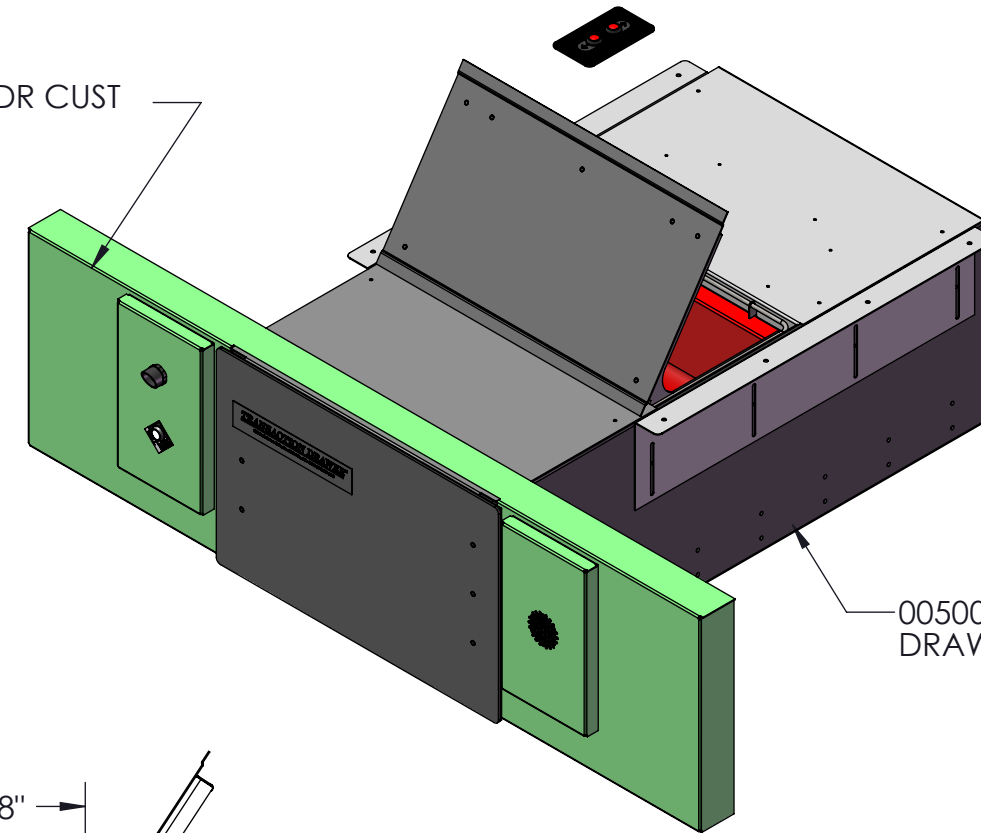
SIZE **B**

DRAWING NO. **24068202**

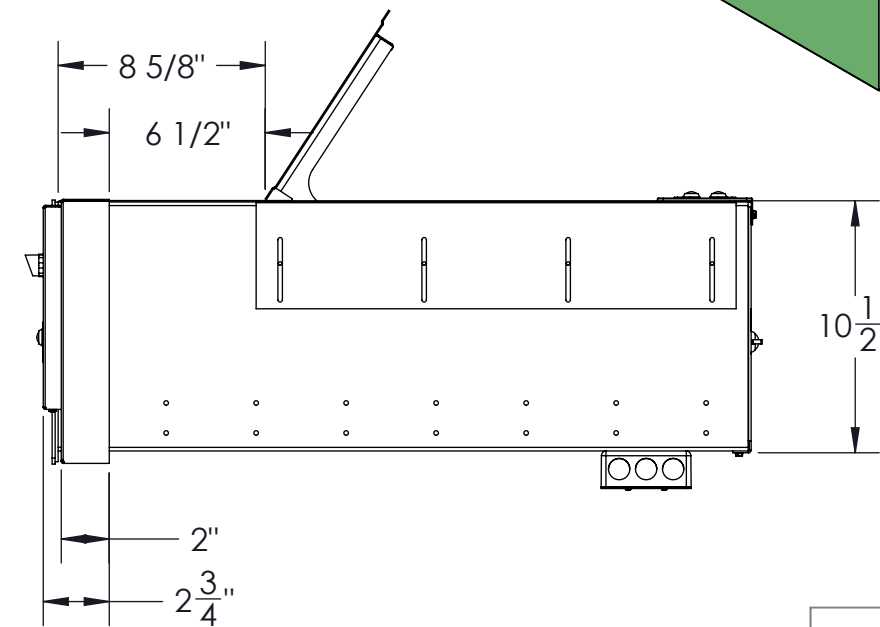
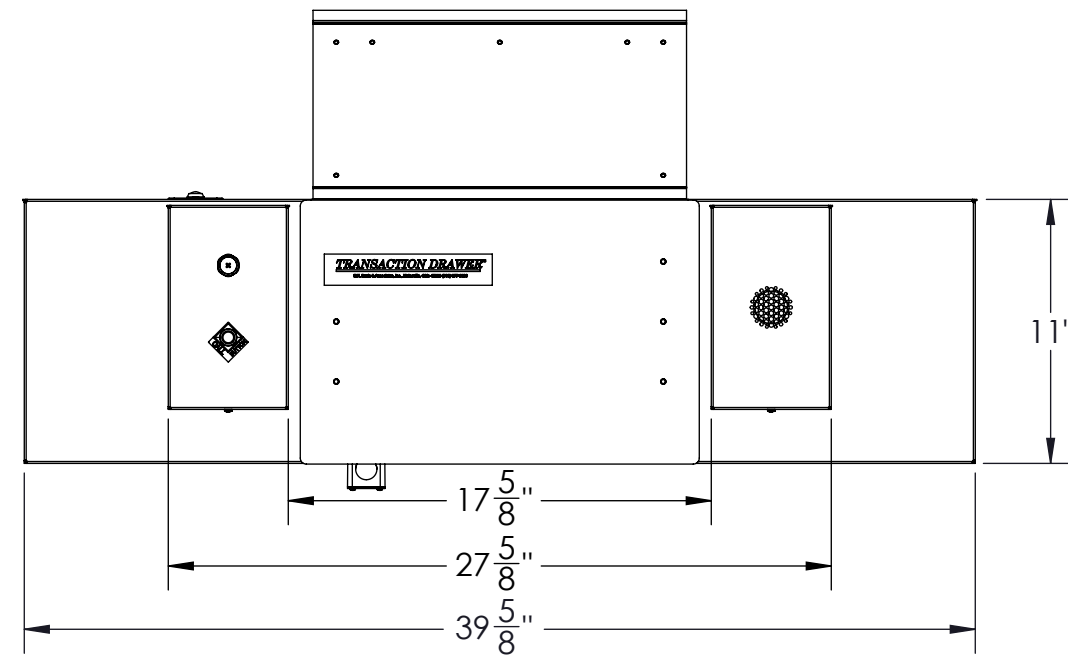
SHEET 2 OF 2



24068199 DIEBOLD TDR CUST
PANEL ASSY 5




00500993 TRANSACTION
DRAWER (SOLD SEPARATELY)



MATERIAL: 18 GA. STAINLESS STEEL WITH #4 FINISH (CONTACT FACTORY FOR OTHER FINISHES).
 MODEL 00500993 TRANSACTION DRAWER WITH OPERATOR SWITCH IS NOT INCLUDED IN THIS KIT.
 ALL DIMENSIONS AND APPEARANCE ARE SUBJECT TO CHANGE WITHOUT NOTICE.

PROPRIETARY

THIS DOCUMENTATION AND INFORMATION CONTAINED ARE THE SOLE PROPERTY OF E.F.BAVIS & ASSOC., INC. IT SHALL BE RETURNED UPON REQUEST AND SHALL NOT BE REPRODUCED IN WHOLE OR IN PART, OR DISCLOSED TO ANYONE ELSE, OR USED, WITHOUT WRITTEN CONSENT OF E.F. BAVIS & ASSOC., INC.

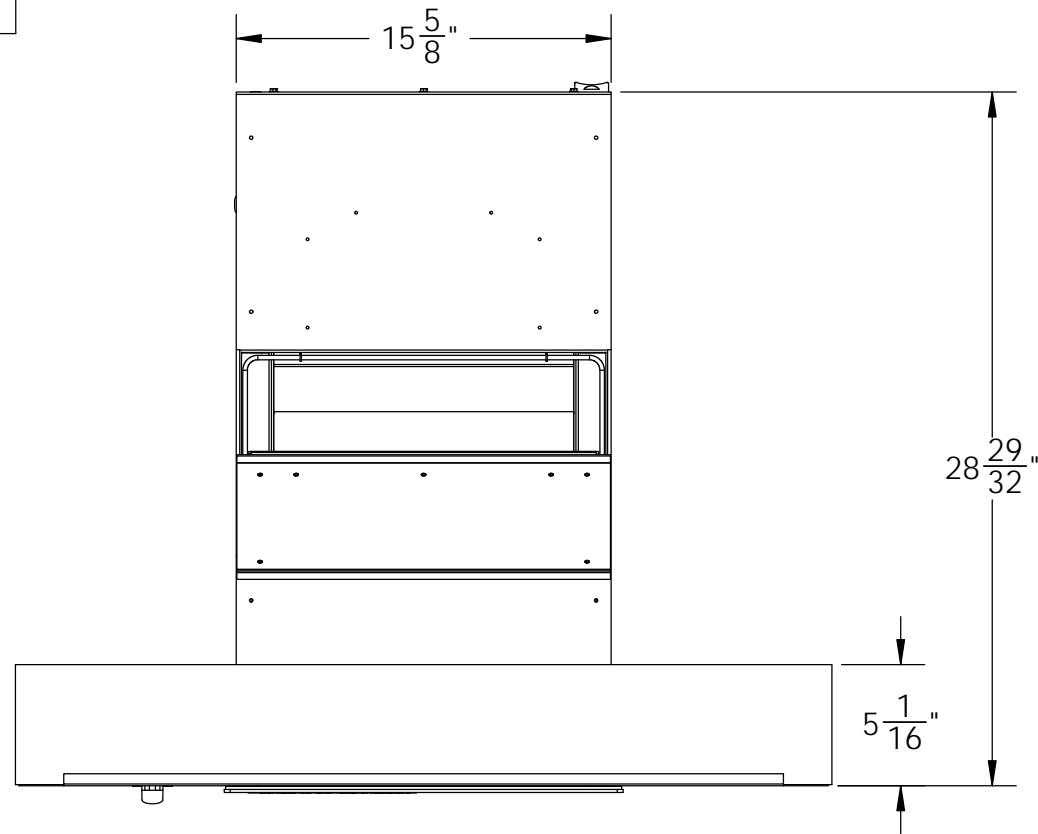


201 GRANDIN RD.
MAINEVILLE, OH 45039
T: 513.677.0500
F: 513.677.0552
WWW.BAVIS.COM

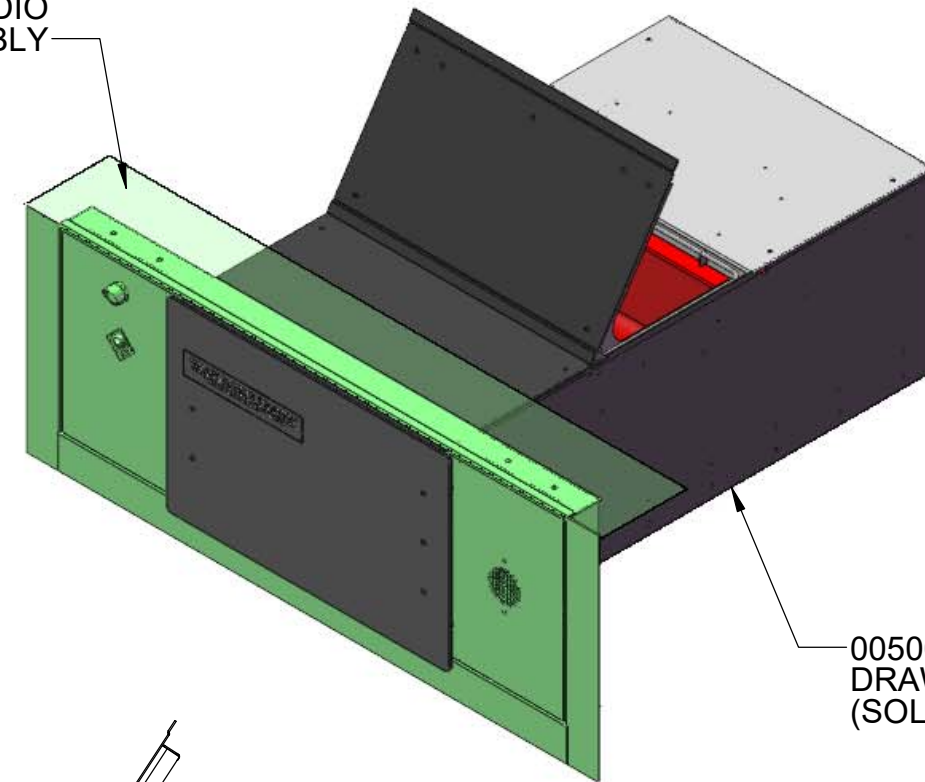
SIGNATURES	DATE	TITLE
DRAWN: MJC	04/09/12	39-5/8in SS AUDIO PANEL ASSY LEFEBURE MODEL 6640
CHECKED: DAL	04/09/12	
ENGR.		
DIMENSIONS ARE IN INCHES UNLESS OTHERWISE SPECIFIED	TOLERANCE UNLESS OTHERWISE NOTED: DECIMAL ± N/A FRACTION ± 1/32 ANGULAR ± N/A	SIZE B DRAWING NO. 24068203 SHEET 1 OF 1

24068204

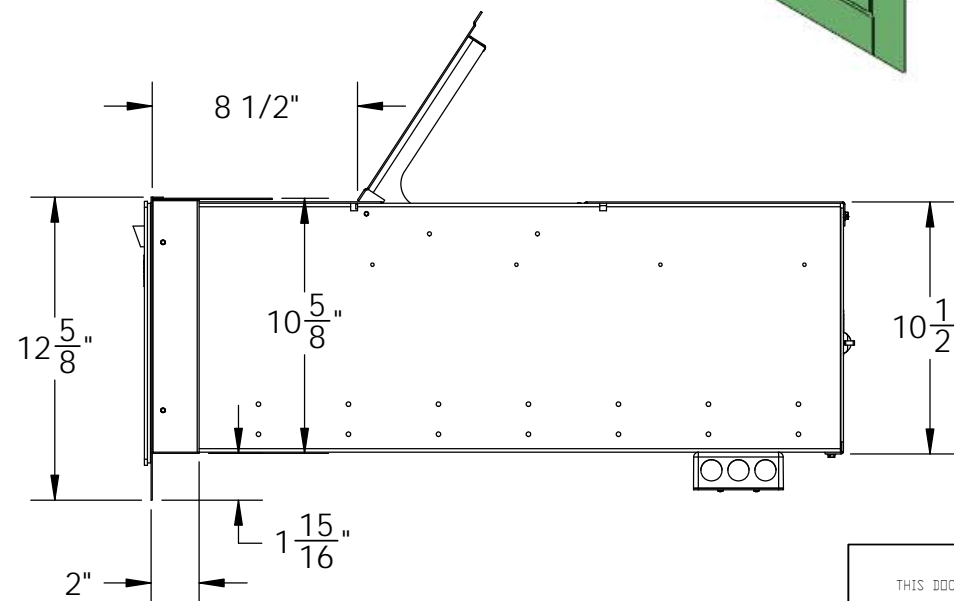
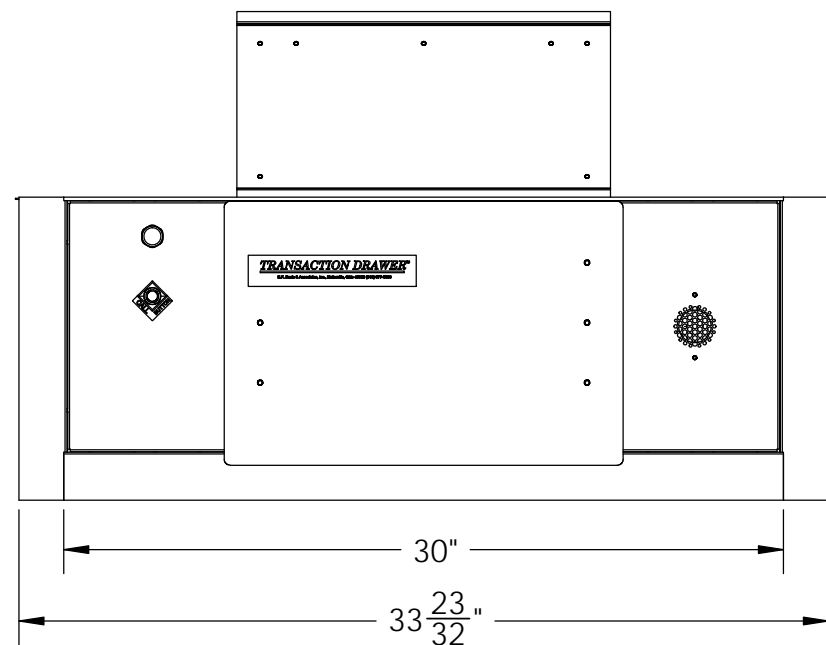
DATE	ECN	REVISION RECORD	DR	CK
01/16/19	19691	REPLACE SPEAKER & REMOVE BACKBOX	MC	DL
03/01/19	20078	REPLACE MIC NUT	MC	DM
11/06/20	21592	CHANGE 2x3 SPEAKER TO 50mm SPEAKER	MC	DM



24068204 TDR CUST AUDIO PANEL ASSEMBLY




00500993 TRANSACTION DRAWER (SOLD SEPARATELY)



MATERIAL: 18 GA. STAINLESS STEEL WITH #4 FINISH (CONTACT FACTORY FOR OTHER FINISHES).
 MODEL 00500993 TRANSACTION DRAWER WITH OPERATOR SWITCH IS NOT INCLUDED IN THIS KIT
 ALL DIMENSIONS AND APPEARANCE ARE SUBJECT TO CHANGE WITHOUT NOTICE.

PROPRIETARY

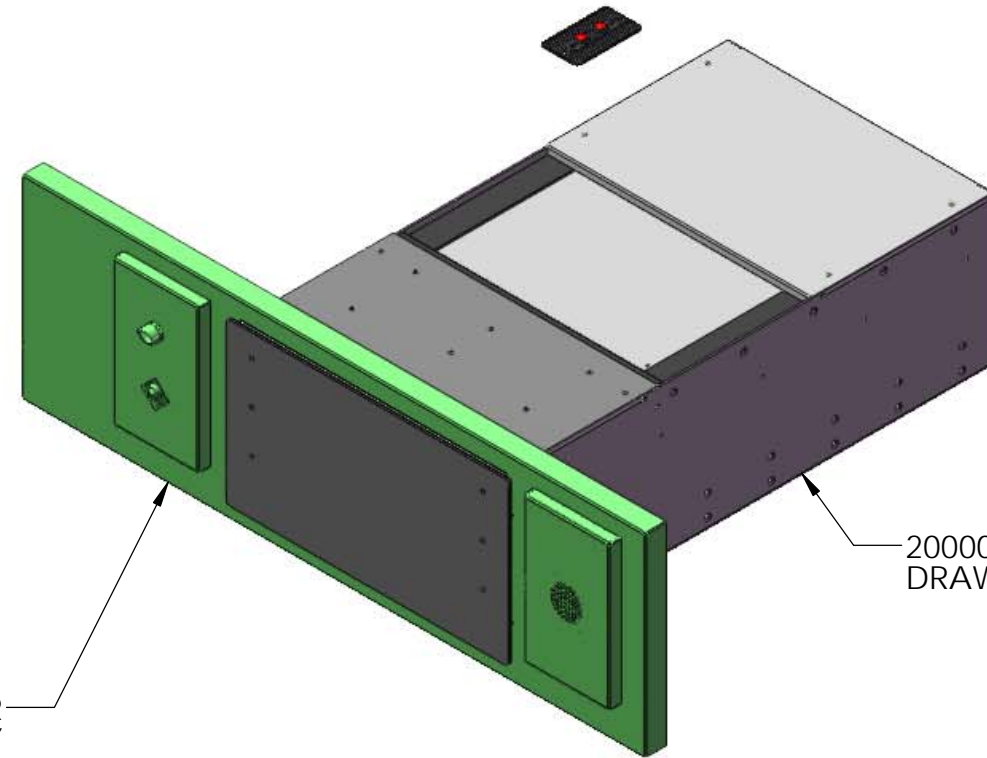
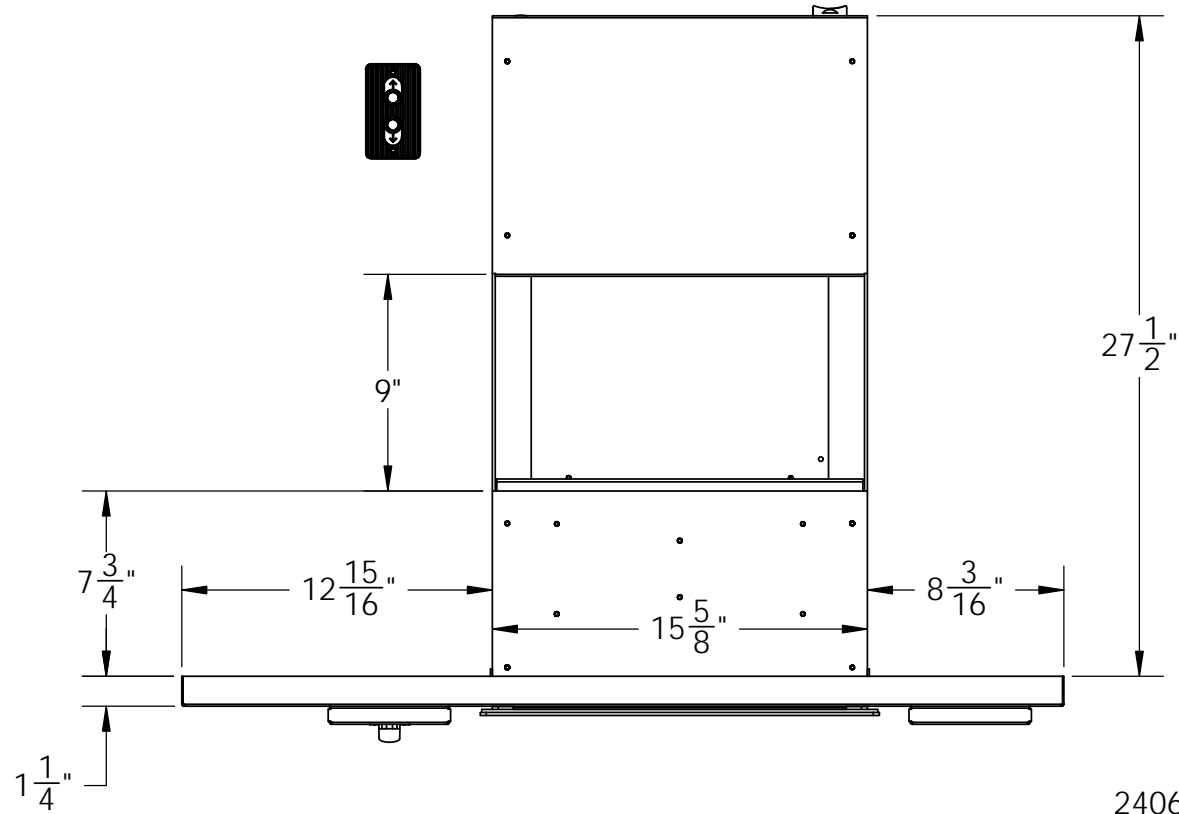
THIS DOCUMENTATION AND INFORMATION CONTAINED ARE THE SOLE PROPERTY OF E.F.BAVIS & ASSOC., INC. IT SHALL BE RETURNED UPON REQUEST AND SHALL NOT BE REPRODUCED IN WHOLE OR IN PART, OR DISCLOSED TO ANYONE ELSE, OR USED, WITHOUT WRITTEN CONSENT OF E.F. BAVIS & ASSOC., INC.



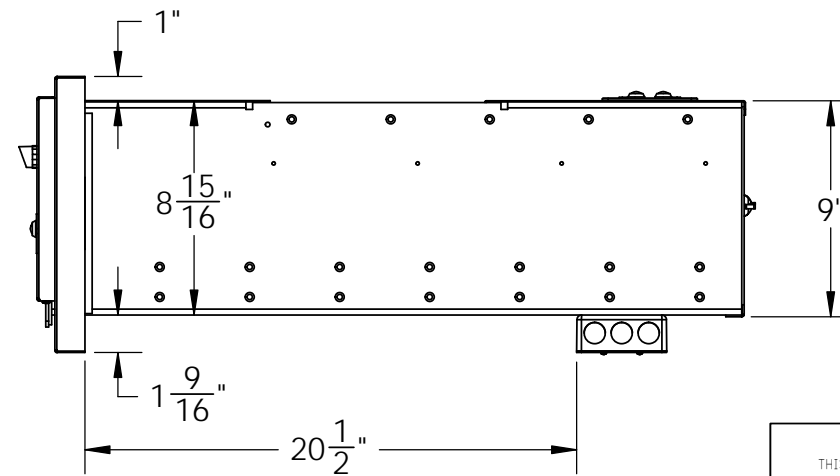
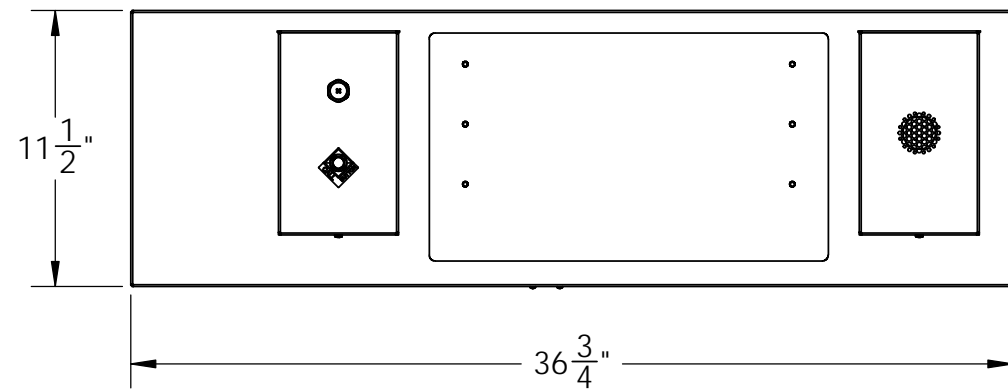
201 GRANDIN RD.
 MAINEVILLE, OH 45039
 T: 513.677.0500
 F: 513.677.0552
 WWW.BAVIS.COM

SIGNATURES		DATE	TITLE
DRAWN MJC		01/21/13	TDR CUST AUDIO PANEL ASSEMBLY FITS 30"W X 10-5/8"H TO 33"W X 12-1/4"H OPENINGS
CHECKED			
ENGR.			
DIMENSIONS ARE IN INCHES UNLESS OTHERWISE SPECIFIED		TOLERANCE UNLESS OTHERWISE NOTED: DECIMAL ± N/A FRACTION ± 1/32 ANGULAR ± N/A	
ECN	14243	SIZE	B

DRAWING NO.	24068204	SHEET	1
		OF	1



24068205 MOSLER TDR ASSEMBLY



MATERIAL: 18 GA. STAINLESS STEEL WITH #4 FINISH (CONTACT FACTORY FOR OTHER FINISHES).
 MODEL 20000991 SMALL TRANSACTION DRAWER WITH OPERATOR SWITCH IS NOT INCLUDED IN THIS KIT.
 ALL DIMENSIONS AND APPEARANCE ARE SUBJECT TO CHANGE WITHOUT NOTICE.

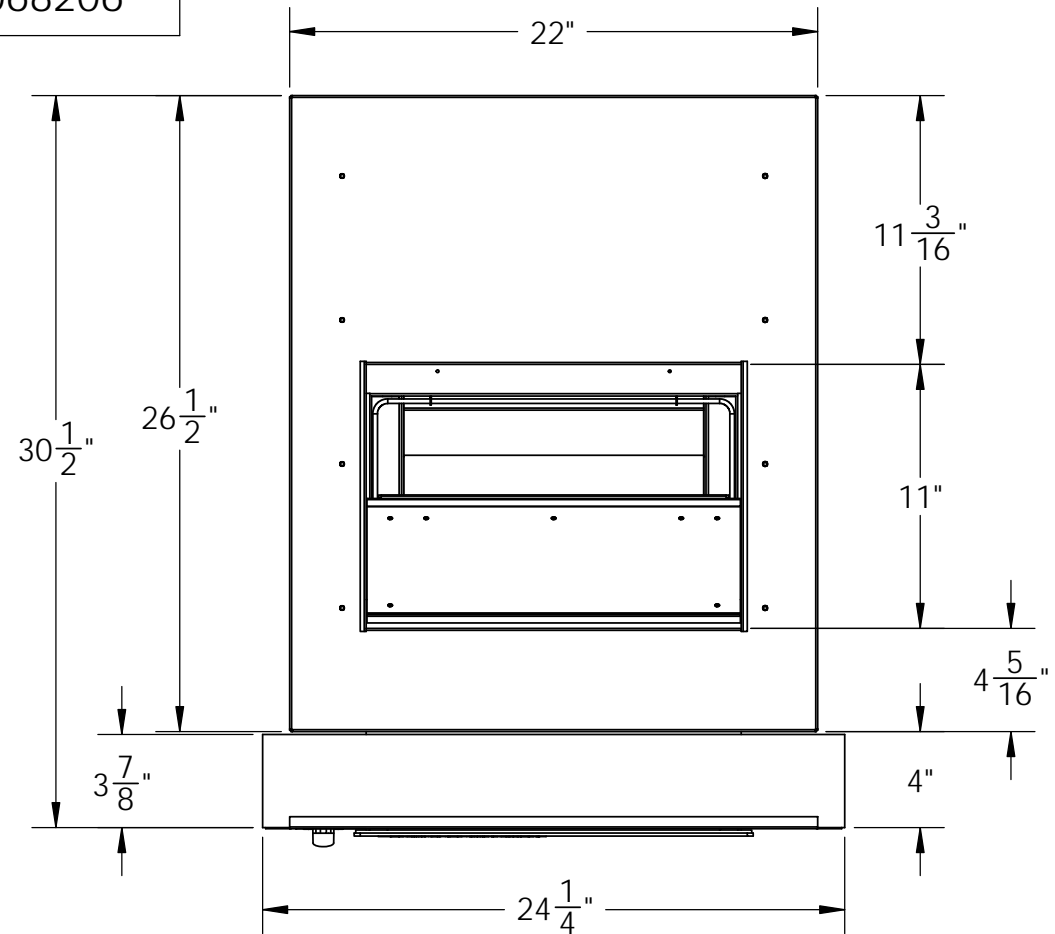
PROPRIETARY
 THIS DOCUMENTATION AND INFORMATION CONTAINED ARE THE SOLE PROPERTY OF E.F. BAVIS & ASSOC., INC. IT SHALL BE RETURNED UPON REQUEST AND SHALL NOT BE REPRODUCED IN WHOLE OR IN PART, OR DISCLOSED TO ANYONE ELSE, OR USED, WITHOUT WRITTEN CONSENT OF E.F. BAVIS & ASSOC., INC.

201 GRANDIN RD.
 MAINEVILLE, OH 45039
 T: 513.677.0500
 F: 513.677.0552
 WWW.BAVIS.COM

SIGNATURES		DATE	TITLE
DRAWN MJC		04/24/14	MOSLER TDR ASSEMBLY 36-3/4in WIDE
CHECKED			
ENGR.			
DIMENSIONS ARE IN INCHES	TOLERANCE UNLESS OTHERWISE NOTED:		
UNLESS OTHERWISE SPECIFIED	DECIMAL ±	N/A	
	FRACTION ±	1/32	
ECN 14352	ANGULAR ±	N/A	SIZE B
DRAWING NO. 24068205		SHEET 2 OF 2	

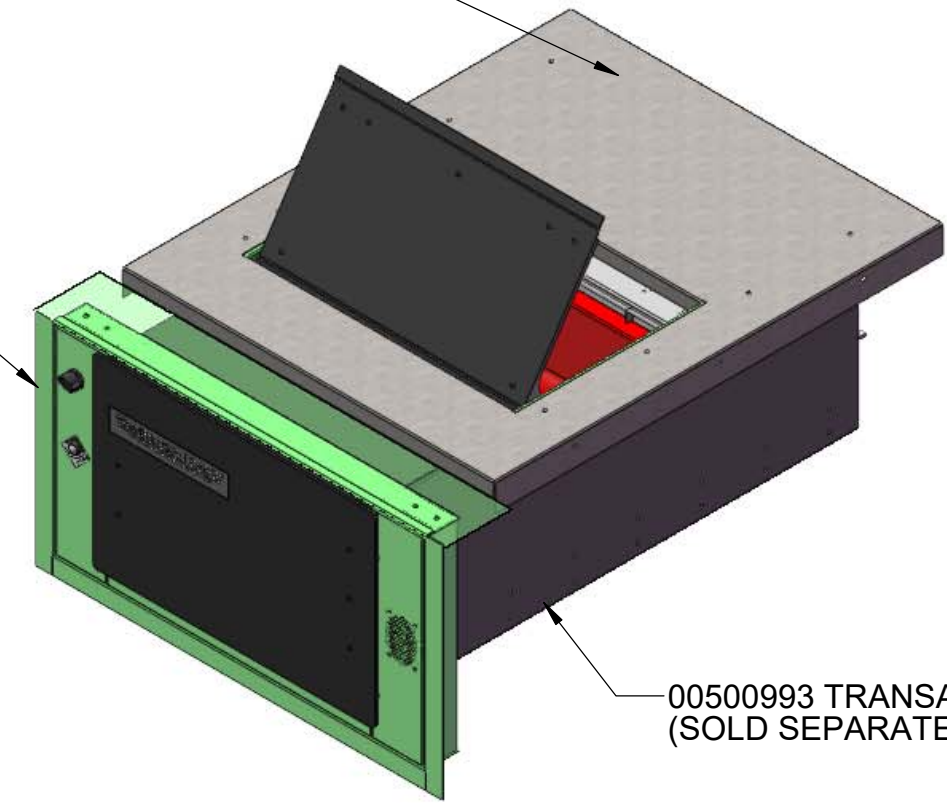
24068206

DATE	ECN	REVISION RECORD	DR	CK
01/16/19	19692	REPLACE SPEAKER & REMOVE BACKBOX	MC	DL
03/01/19	20079	REPLACE MIC NUT	MC	DM



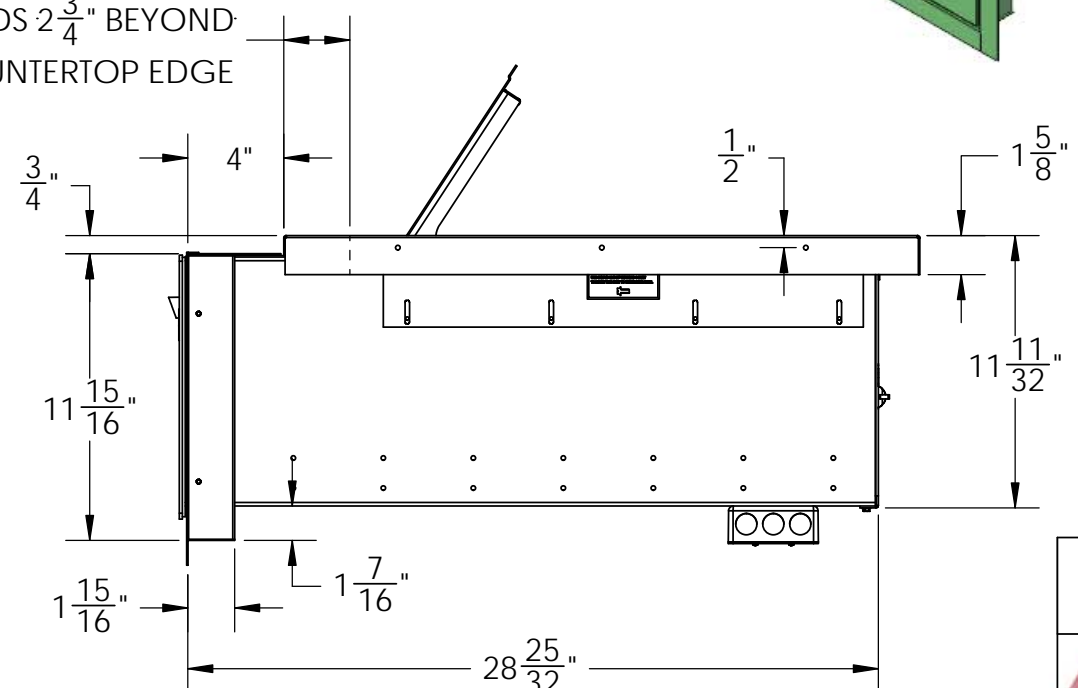
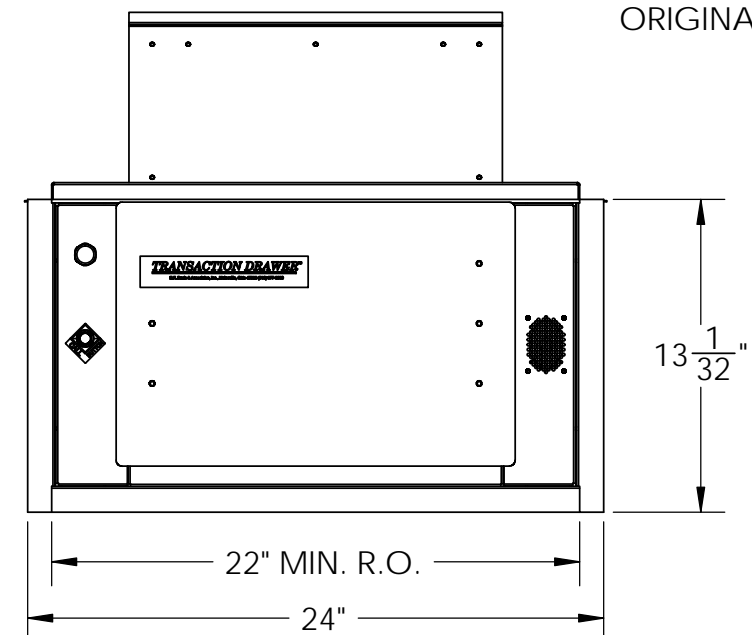
24077193 - 22in WIDE SS COUNTERTOP TOP ASSY (SOLD SEPARATELY)

24068206 AM VAULT TDR CUSTOMER PANEL ASSY



00500993 TRANSACTION DRAWER (SOLD SEPARATELY)


EXTENDS 2 3/4" BEYOND ORIGINAL COUNTERTOP EDGE



MATERIAL: 18 GA. STAINLESS STEEL WITH #4 FINISH (CONTACT FACTORY FOR OTHER FINISHES).
 MODEL 00500993 TRANSACTION DRAWER WITH OPERATOR SWITCH IS NOT INCLUDED IN THIS KIT
 22in WIDE SS COUNTERTOP ASSY (P.N. 24077193) IS NOT INCLUDED IN THIS KIT
 ALL DIMENSIONS AND APPEARANCE ARE SUBJECT TO CHANGE WITHOUT NOTICE.

PROPRIETARY

THIS DOCUMENTATION AND INFORMATION CONTAINED ARE THE SOLE PROPERTY OF E.F.BAVIS & ASSOC., INC. IT SHALL BE RETURNED UPON REQUEST AND SHALL NOT BE REPRODUCED IN WHOLE OR IN PART, OR DISCLOSED TO ANYONE ELSE, OR USED, WITHOUT WRITTEN CONSENT OF E.F. BAVIS & ASSOC., INC.



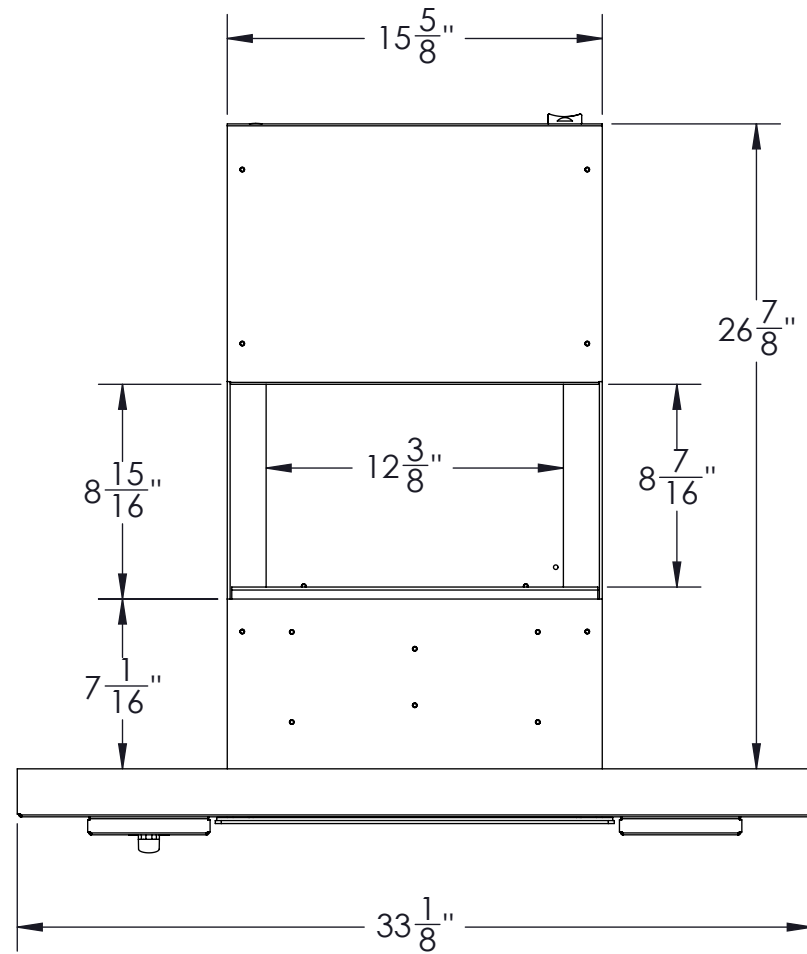
201 GRANDIN RD.
MAINEVILLE, OH 45039
T: 513.677.0500
F: 513.677.0552
WWW.BAVIS.COM

SIGNATURES		DATE	TITLE
DRAWN		MJC	04/25/13
CHECKED			
ENGR.			
DIMENSIONS ARE IN INCHES		TOLERANCE UNLESS OTHERWISE NOTED:	
UNLESS OTHERWISE SPECIFIED		DECIMAL ±	N/A
		FRACTION ±	1/32
ECN		14411	ANGULAR ±
			N/A

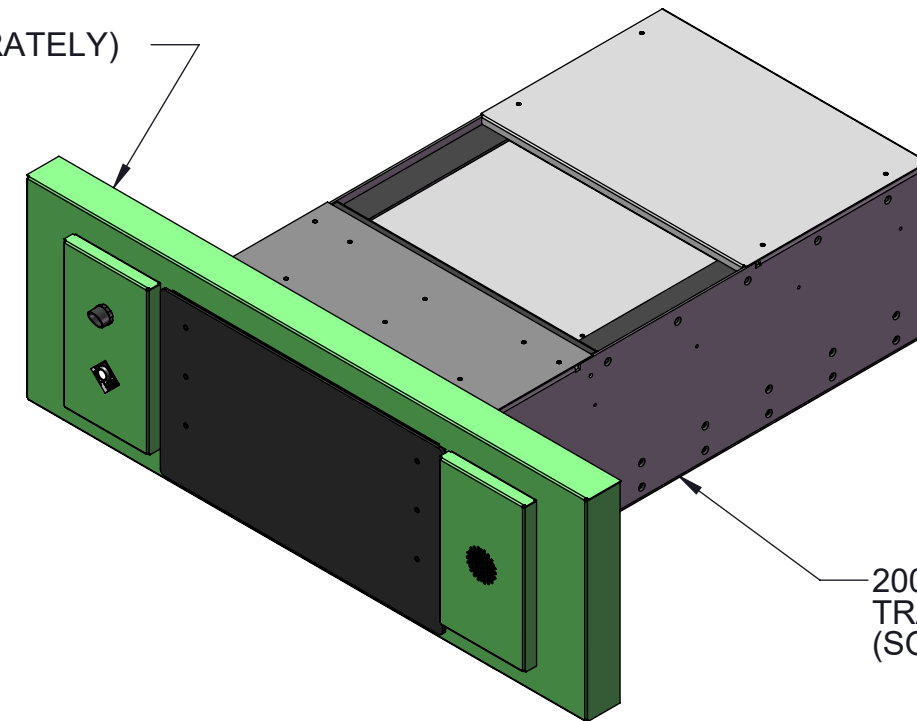
AMERICAN VAULT TDR CUSTOMER PANEL ASSY

SHOWN WITH 22in SS COUNTERTOP ASSY P.N. 24077193

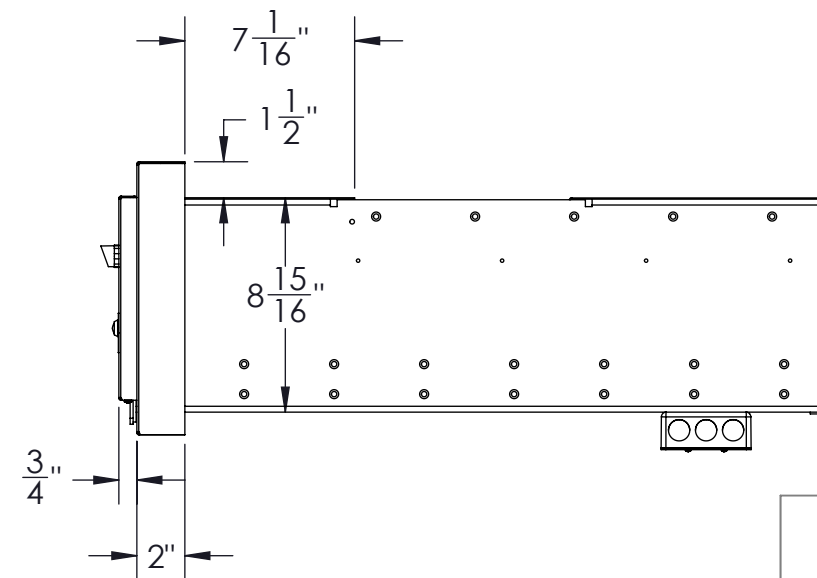
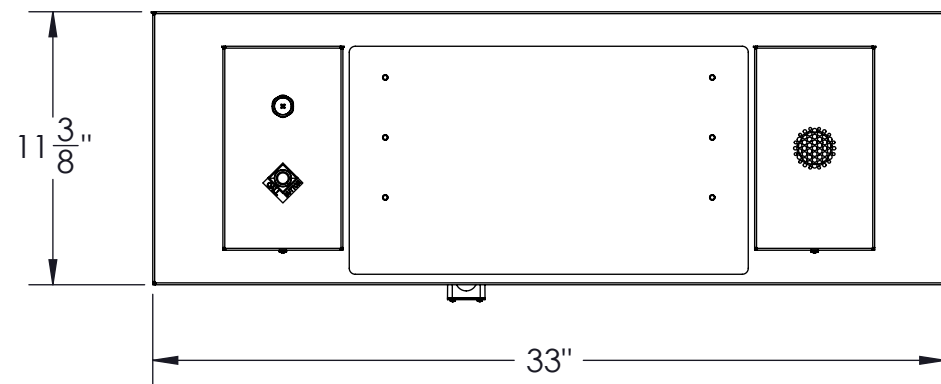
SIZE	DRAWING NO.	SHEET	OF
B	24068206	1	1



00500993 TRANSACTION DRAWER (SOLD SEPARATELY)




20000991 SMALL TRANSACTION DRAWER (SOLD SEPARATELY)



MATERIAL: 18 GA. STAINLESS STEEL WITH #4 FINISH (CONTACT FACTORY FOR OTHER FINISHES).
 MODEL 20000991 TRANSACTION DRAWER WITH OPERATOR SWITCH IS NOT INCLUDED IN THIS KIT.
 ALL DIMENSIONS AND APPEARANCE ARE SUBJECT TO CHANGE WITHOUT NOTICE.

PROPRIETARY

THIS DOCUMENTATION AND INFORMATION CONTAINED ARE THE SOLE PROPERTY OF E.F.BAVIS & ASSOC., INC. IT SHALL BE RETURNED UPON REQUEST AND SHALL NOT BE REPRODUCED IN WHOLE OR IN PART, OR DISCLOSED TO ANYONE ELSE, OR USED, WITHOUT WRITTEN CONSENT OF E.F. BAVIS & ASSOC., INC.

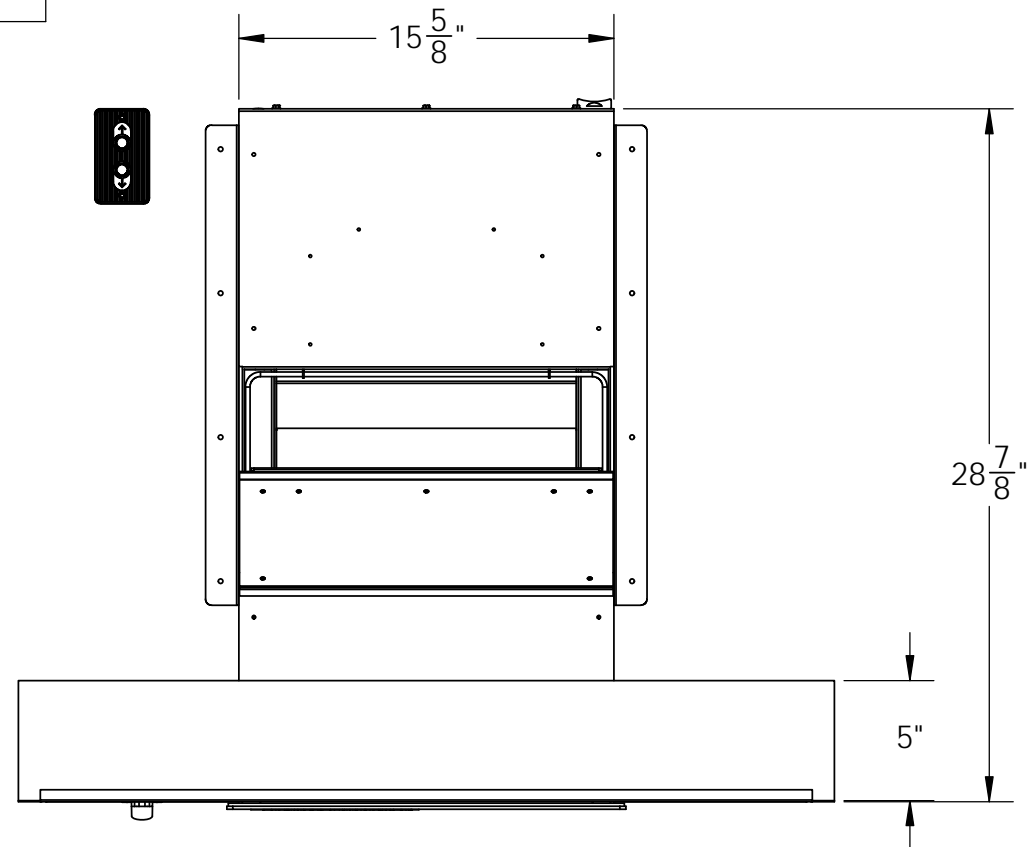


201 GRANDIN RD.
 MAINEVILLE, OH 45039
 T: 513.677.0500
 F: 513.677.0552
 WWW.BAVIS.COM

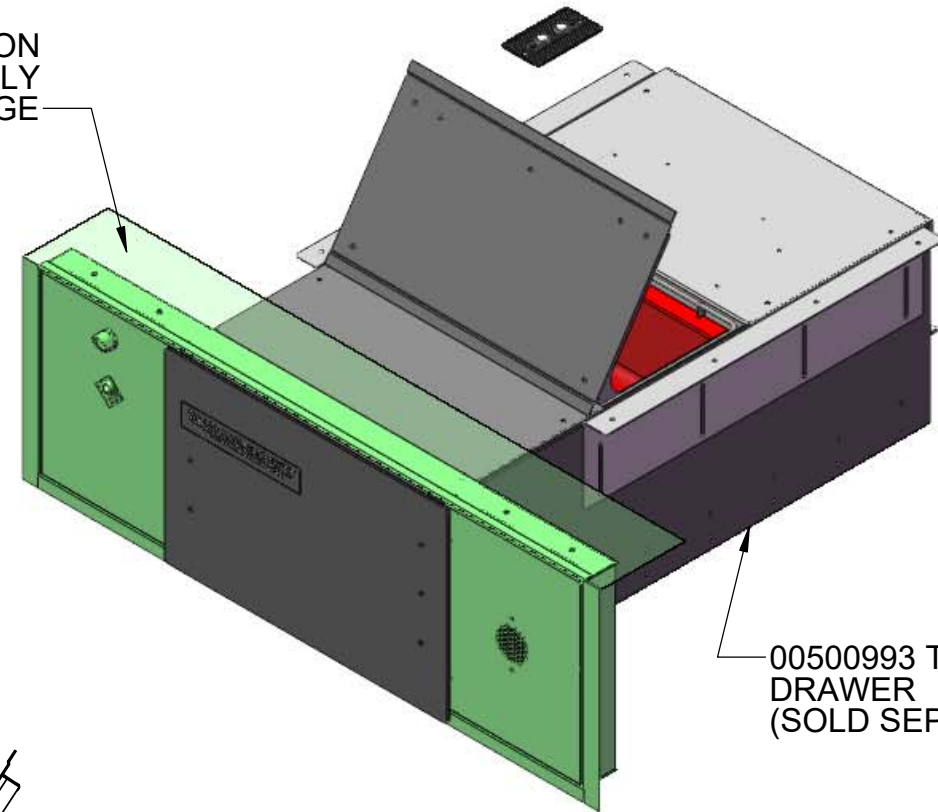
SIGNATURES		DATE	TITLE
DRAWN MJC		05/09/13	VISTRA II TDR PANEL ASSEMBLY SHOWN WITH MODEL 20000991 DRAWER
CHECKED DAL		06/04/13	
ENGR.			
DIMENSIONS ARE IN INCHES		TOLERANCE UNLESS OTHERWISE NOTED:	
UNLESS OTHERWISE SPECIFIED		DECIMAL ± N/A	
ECN 14455		FRACTION ± 1/32	
		ANGULAR ± N/A	
SIZE B	DRAWING NO. 24068207	SHEET 2 OF 2	Pg. 34

24068208

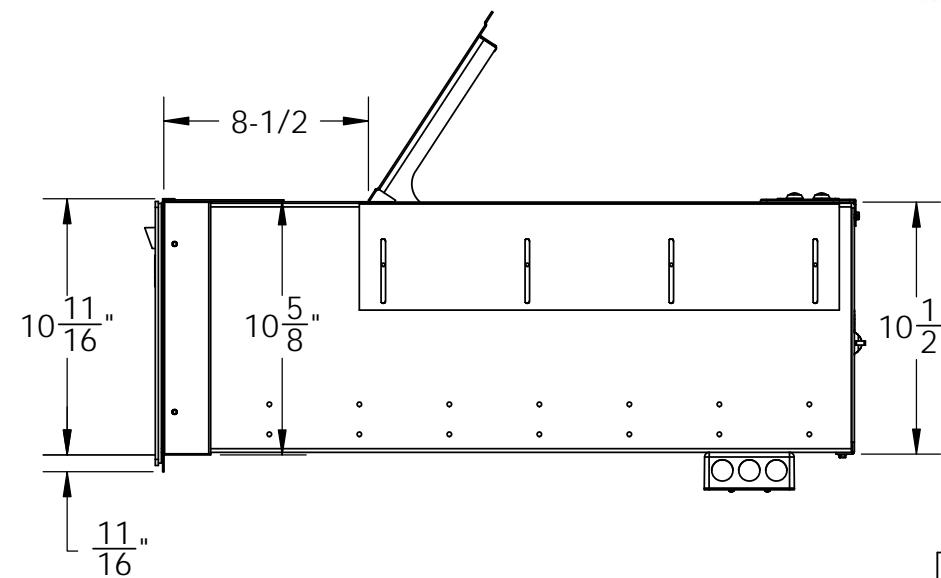
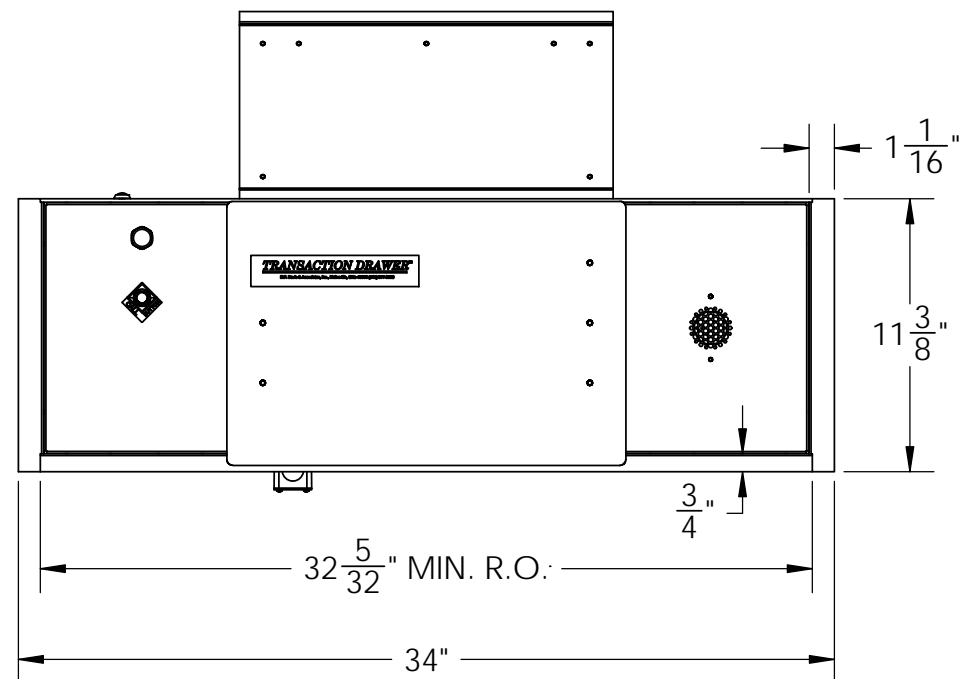
DATE	ECN	REVISION RECORD	DR	CK
01/16/19	19693	REPLACE SPEAKER & REMOVE BACKBOX	MC	DL
03/01/19	20080	REPLACE MIC NUT	MC	DM
09/30/20	21520	CHANGE FRON 2x3 TO 50mm ROUND SPEAKER	MC	DM



24068208 SSE GS-92, HAMILTON
400 TDR PANEL ASSEMBLY
NARROW FLANGE




00500993 TRANSACTION
DRAWER
(SOLD SEPARATELY)



MATERIAL: 18 GA. STAINLESS STEEL WITH #4 FINISH (CONTACT FACTORY FOR OTHER FINISHES).
MODEL 00500993 TRANSACTION DRAWER WITH OPERATOR SWITCH IS NOT INCLUDED IN THIS KIT.
ALL DIMENSIONS AND APPEARANCE ARE SUBJECT TO CHANGE WITHOUT NOTICE.

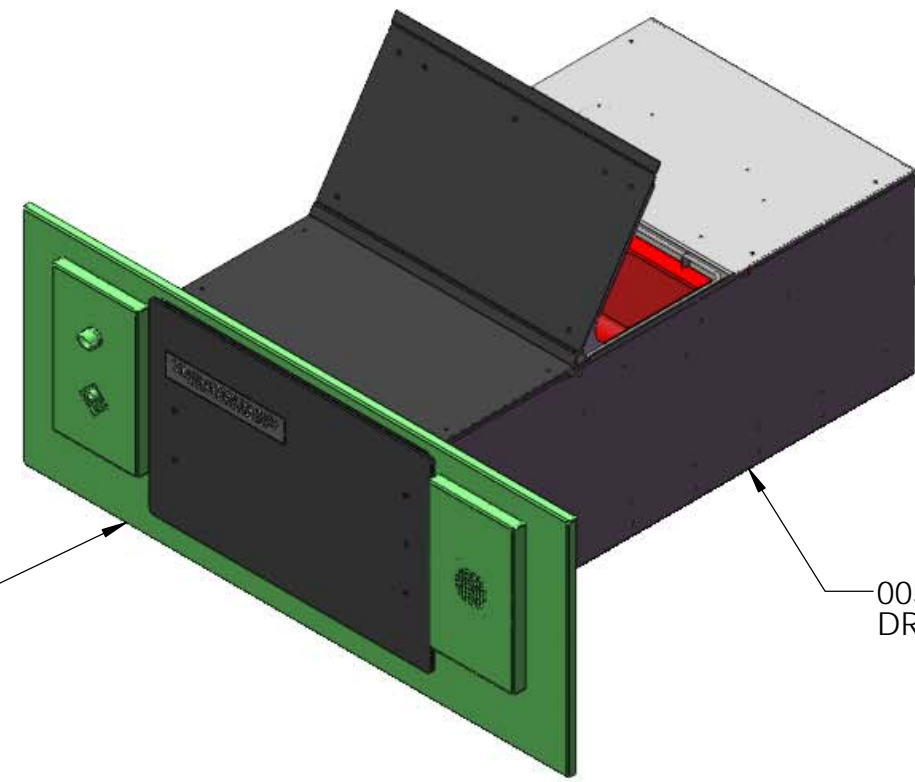
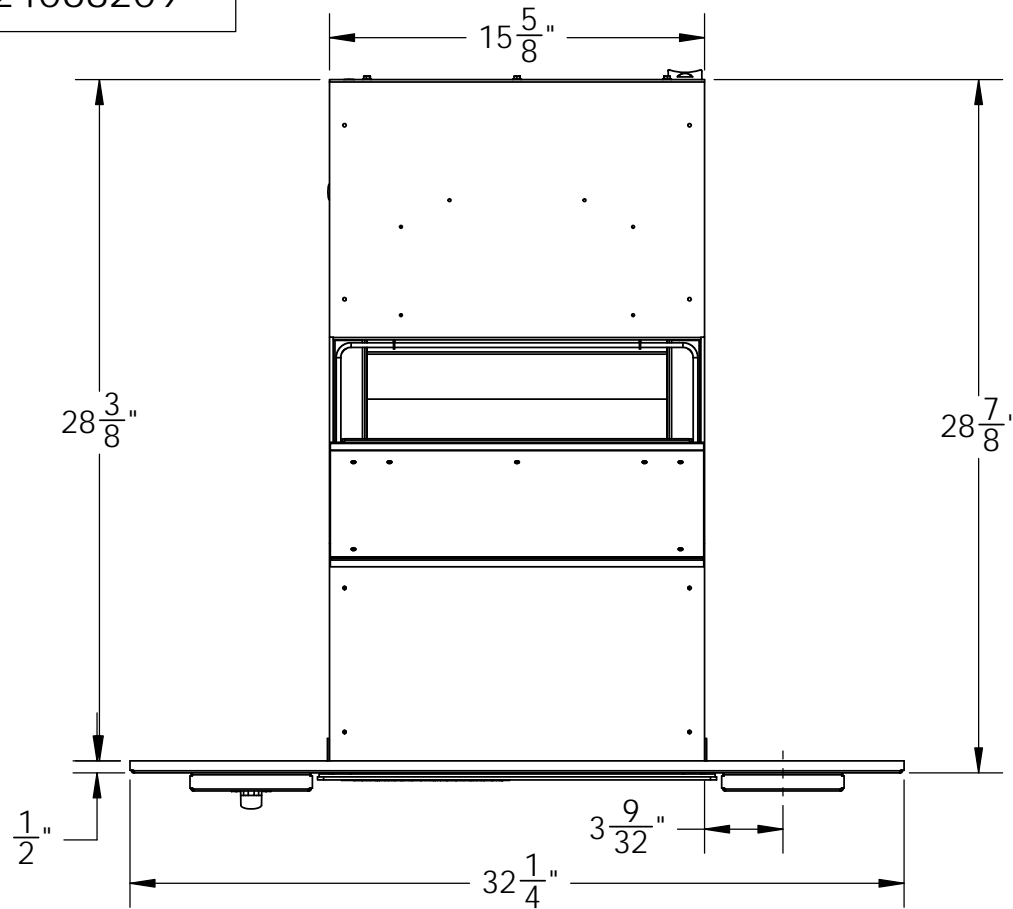
PROPRIETARY

THIS DOCUMENTATION AND INFORMATION CONTAINED ARE THE SOLE PROPERTY OF E.F. BAVIS & ASSOC., INC. IT SHALL BE RETURNED UPON REQUEST AND SHALL NOT BE REPRODUCED IN WHOLE OR IN PART, OR DISCLOSED TO ANYONE ELSE, OR USED, WITHOUT WRITTEN CONSENT OF E.F. BAVIS & ASSOC., INC.



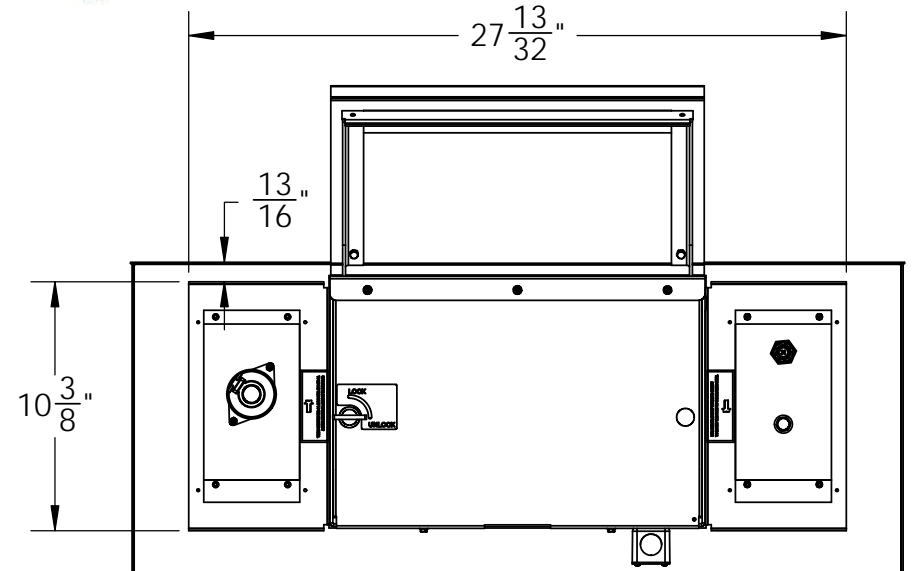
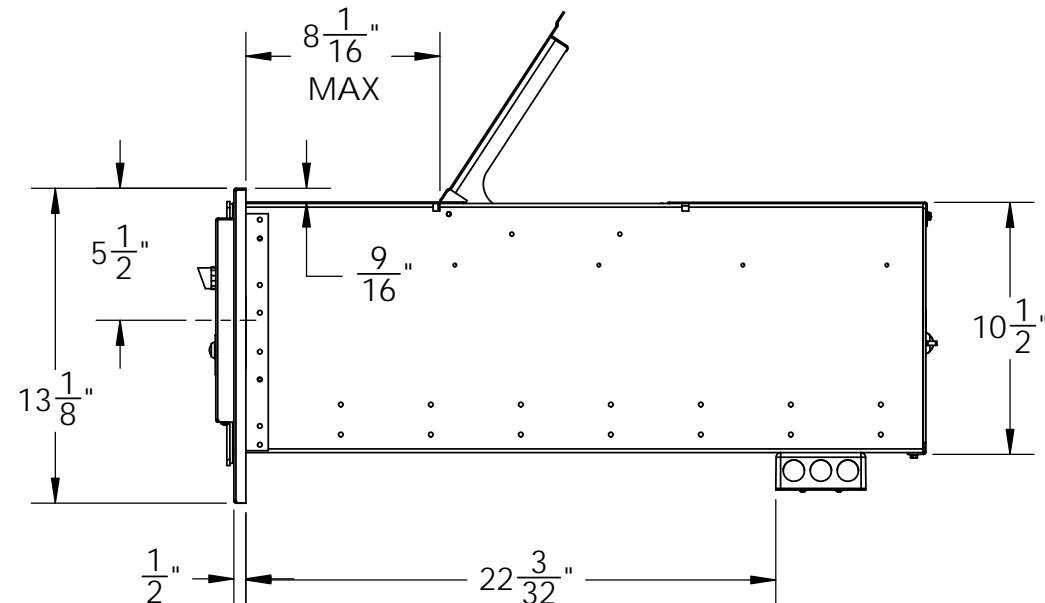
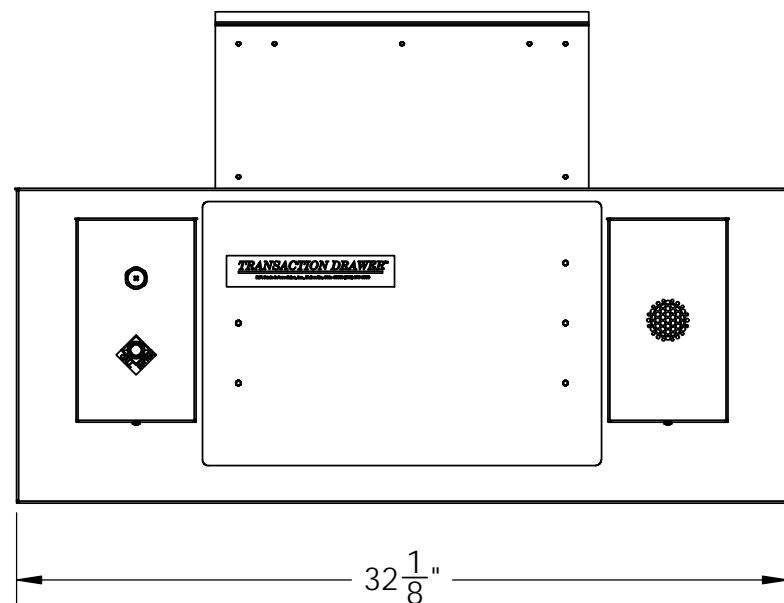
201 GRANDIN RD.
MAINEVILLE, OH 45039
T: 513.677.0500
F: 513.677.0552
WWW.BAVIS.COM

SIGNATURES		DATE	TITLE
DRAWN		MJC	06/04/13
CHECKED			
ENGR.			
DIMENSIONS ARE IN INCHES UNLESS OTHERWISE SPECIFIED		TOLERANCE UNLESS OTHERWISE NOTED: DECIMAL ± N/A FRACTION ± 1/32 ANGULAR ± N/A	
SSE GS-92 & HAMILTON 400 TDR PANEL ASSEMBLY NARROW FLANGE			SIZE B
ECN 14530		DRAWING NO. 24068208	SHEET 1 OF 1



24068209 SSE XD1100 TDR CUST PANEL ASSM WITH DRAWER


00500993 TRANSACTION DRAWER (SOLD SEPARATELY)



MATERIAL: 18 GA. STAINLESS STEEL WITH #4 FINISH (CONTACT FACTORY FOR OTHER FINISHES).
 MODEL 00500993 TRANSACTION DRAWER WITH OPERATOR SWITCH IS NOT INCLUDED IN THIS KIT.
 ALL DIMENSIONS AND APPEARANCE ARE SUBJECT TO CHANGE WITHOUT NOTICE.

PROPRIETARY

THIS DOCUMENTATION AND INFORMATION CONTAINED ARE THE SOLE PROPERTY OF E.F. BAVIS & ASSOC., INC. IT SHALL BE RETURNED UPON REQUEST AND SHALL NOT BE REPRODUCED IN WHOLE OR IN PART, OR DISCLOSED TO ANYONE ELSE, OR USED, WITHOUT WRITTEN CONSENT OF E.F. BAVIS & ASSOC., INC.

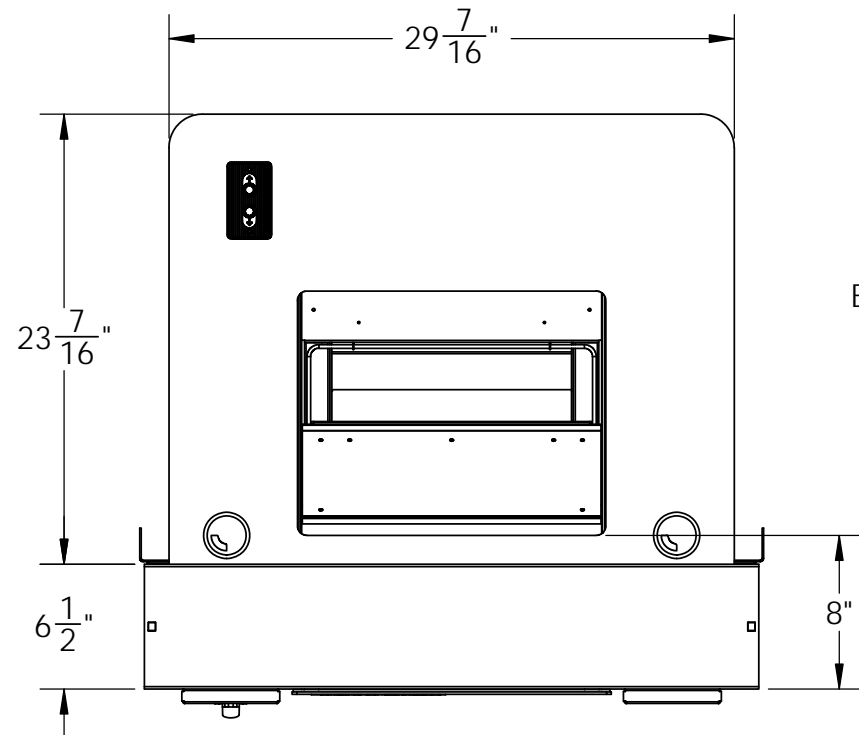


201 GRANDIN RD.
 MAINEVILLE, OH 45039
 T: 513.677.0500
 F: 513.677.0552
 WWW.BAVIS.COM

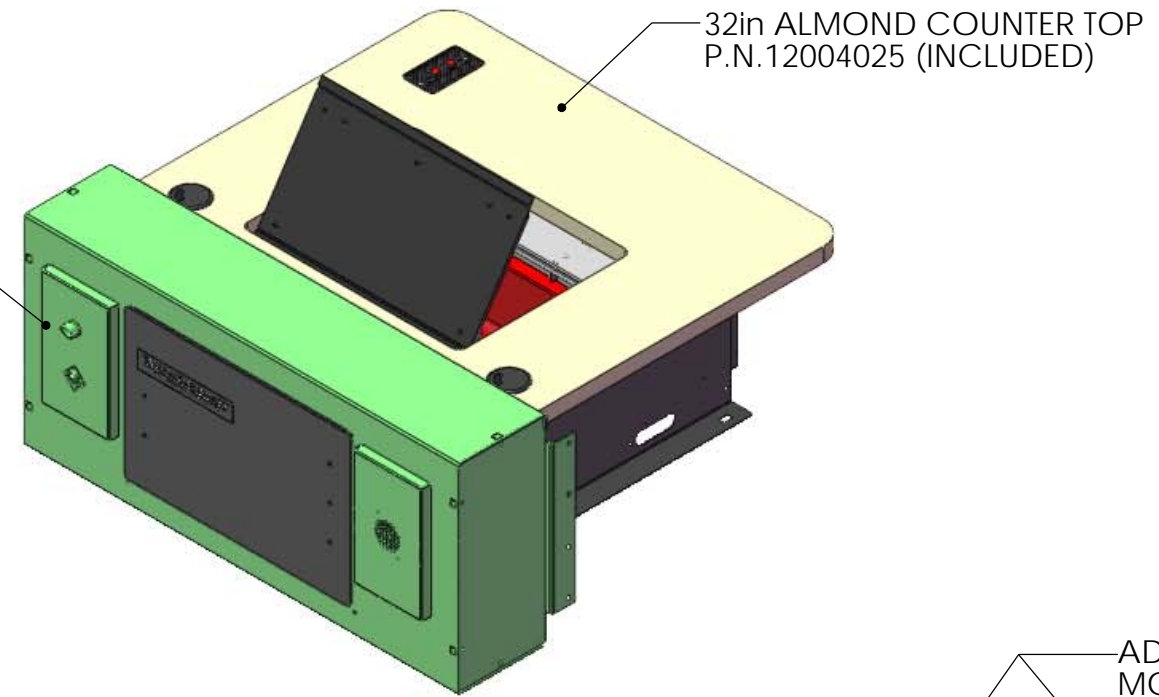
SIGNATURES		DATE	TITLE
DRAWN MJC		09/09/13	SSE XD1100 TDR CUST PANEL ASSM WITH DRAWER
CHECKED			
ENGR.			
DIMENSIONS ARE IN INCHES	TOLERANCE UNLESS OTHERWISE NOTED:		
UNLESS OTHERWISE SPECIFIED	DECIMAL ±	N/A	
	FRACTION ±	1/32	
ECN	14724	ANGULAR ±	N/A
SIZE	B	DRAWING NO.	24068209
		SHEET	2
		OF	2

24068210

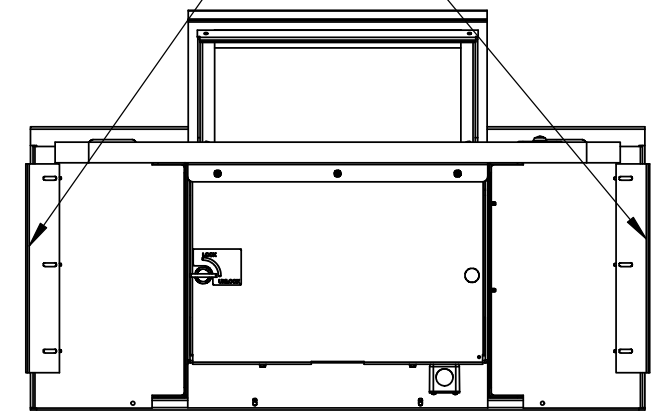
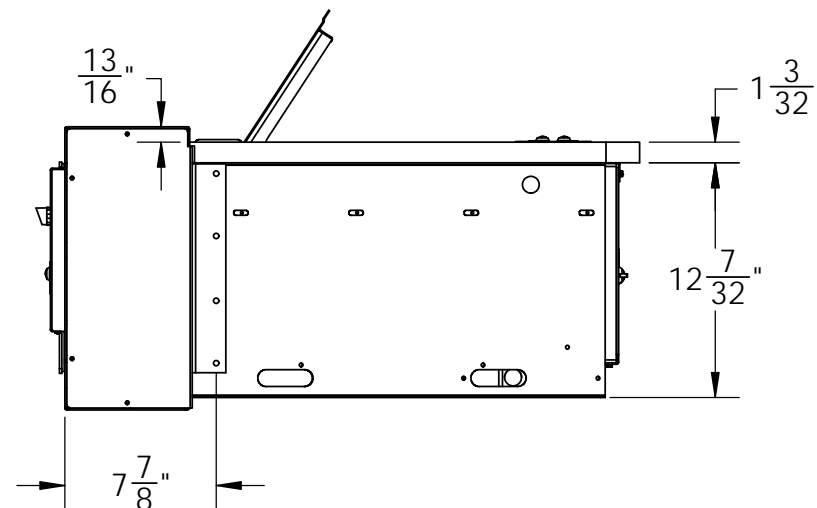
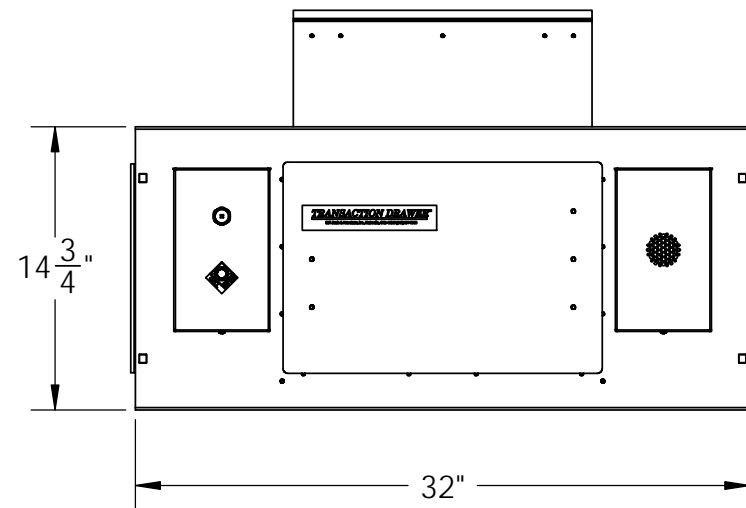
DATE	ECN	REVISION RECORD	DR	CK
03/24/16	17233	CHANGE TO MODULAR AUDIO COMPONENTS	MC	DL



BD2 TDR RETROFIT ASSEMBLY
P.N. 24068210



ADJUSTABLE WALL MOUNT BRACKETS



MATERIAL: 14 GA. GALVANNEALED STEEL WITH BLACK TEXTURED POWDER COAT FINISH.
(CONTACT FACTORY FOR OTHER COLORS)

PART NUMBER 12004025 ALMOND COUNTER TOP IS INCLUDED IN THIS KIT

MODEL 00500993 TRANSACTION DRAWER WITH OPERATOR SWITCH IS NOT INCLUDED IN THIS KIT.

ALL DIMENSIONS AND APPEARANCES ARE SUBJECT TO CHANGE WITHOUT NOTICE.

CALL FOR PRICING

PROPRIETARY

THIS DOCUMENTATION AND INFORMATION CONTAINED ARE THE SOLE PROPERTY OF E.F.BAVIS & ASSOC., INC. IT SHALL BE RETURNED UPON REQUEST AND SHALL NOT BE REPRODUCED IN WHOLE OR IN PART, OR DISCLOSED TO ANYONE ELSE, OR USED, WITHOUT WRITTEN CONSENT OF E.F. BAVIS & ASSOC., INC.



201 GRANDIN RD.
MAINEVILLE, OH 45039
T: 513.677.0500
F: 513.677.0552
WWW.BAVIS.COM

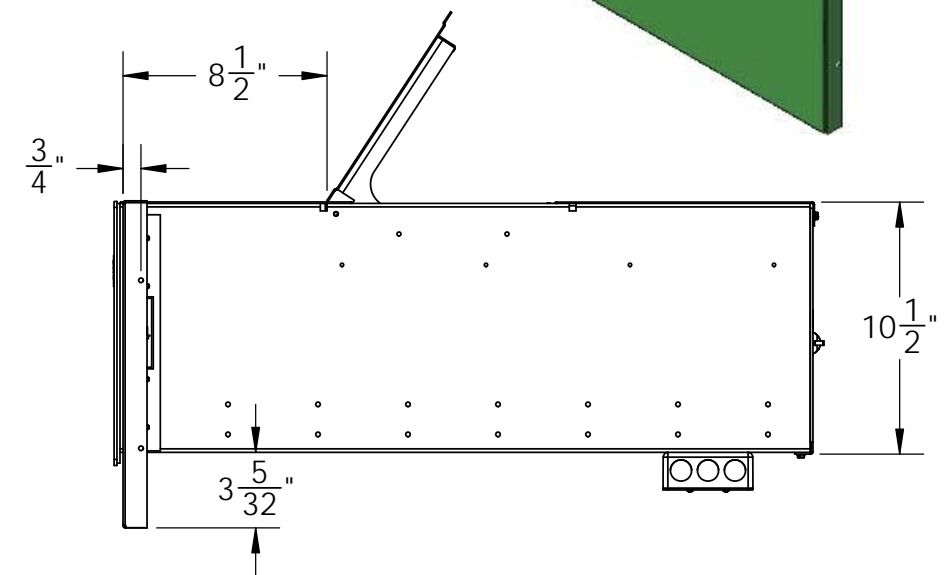
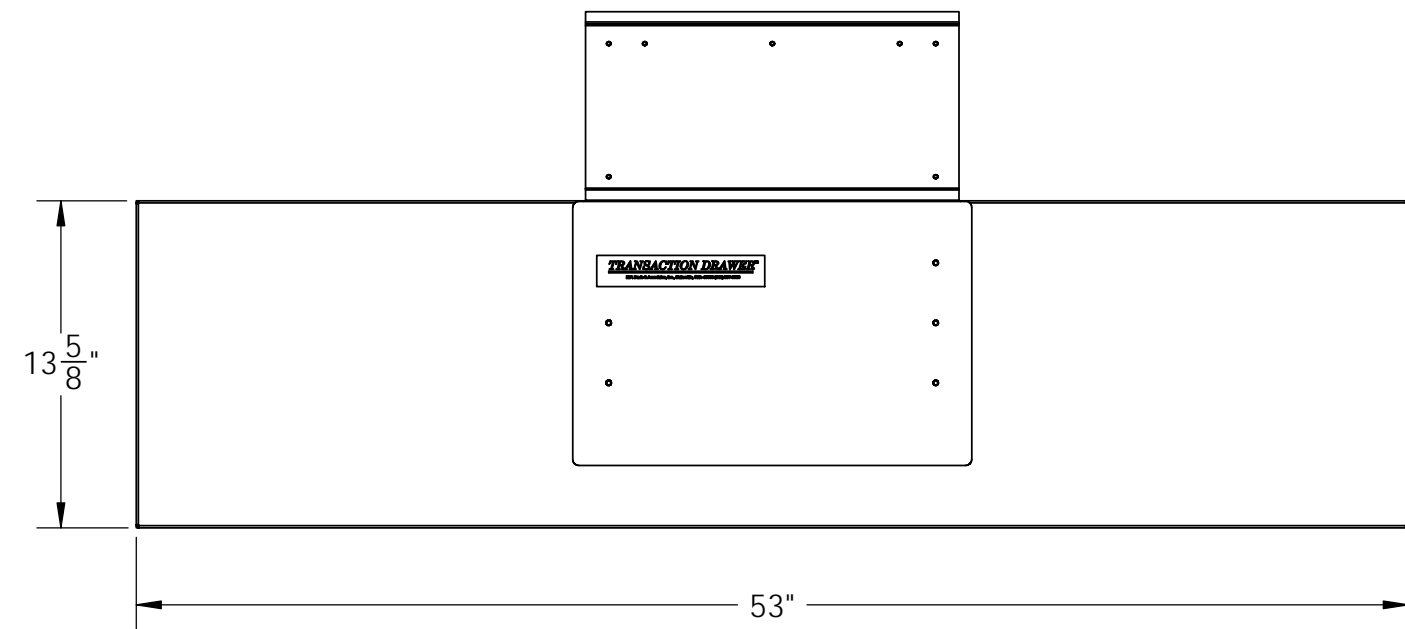
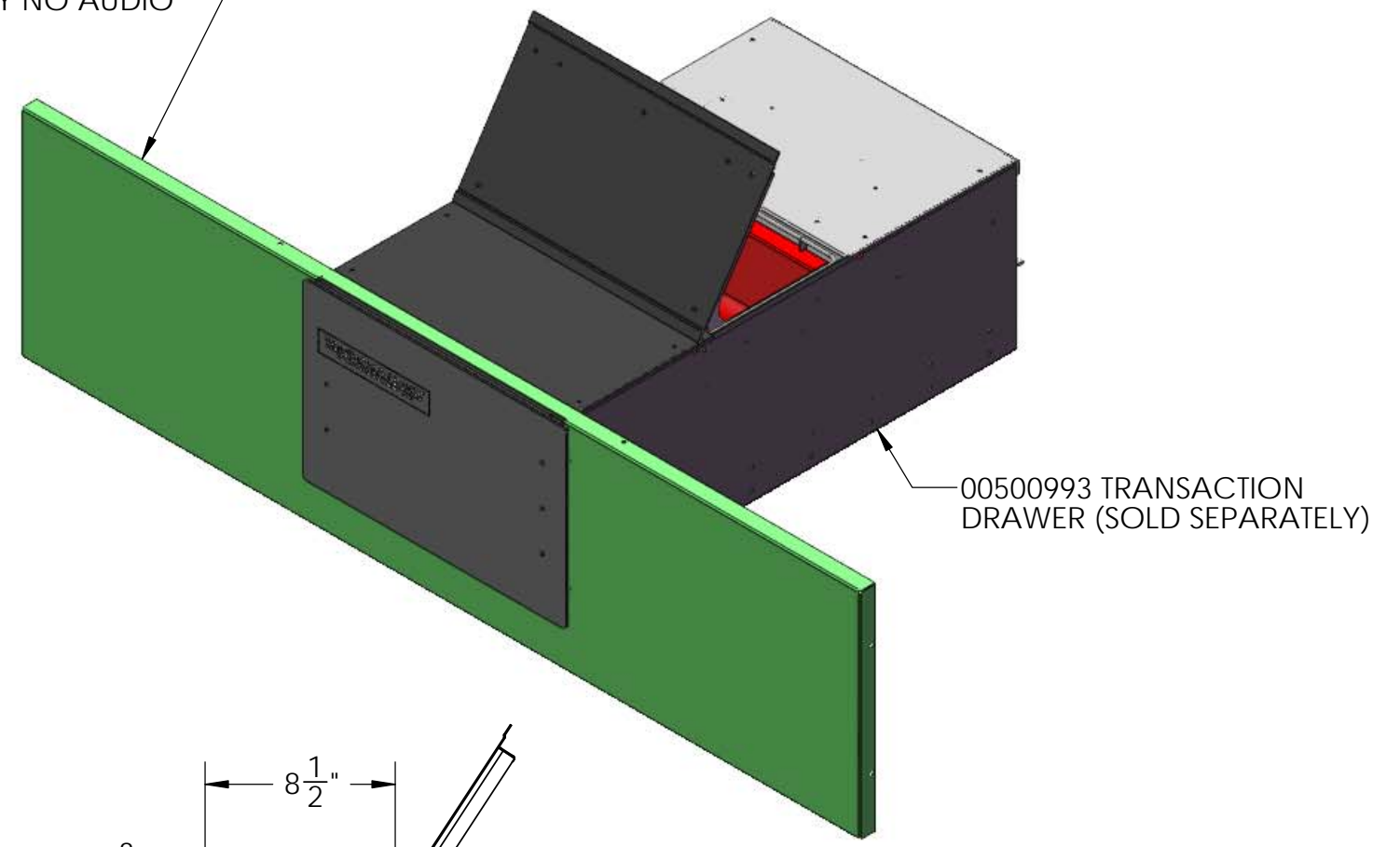
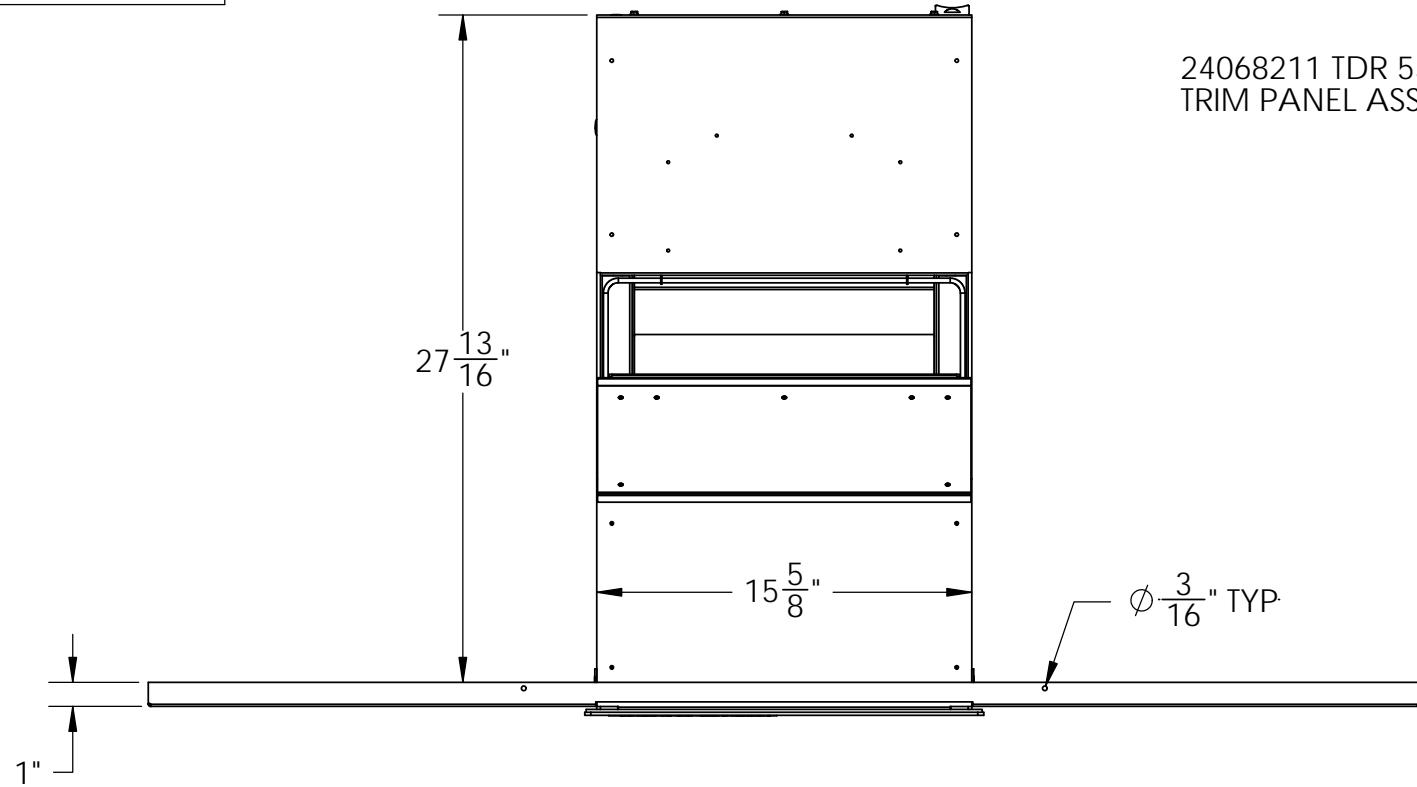
SIGNATURES		DATE	TITLE	
DRAWN		MJC	11/06/13	
CHECKED				
ENGR.				
DIMENSIONS ARE IN INCHES		TOLERANCE UNLESS OTHERWISE NOTED:		
UNLESS OTHERWISE SPECIFIED		DECIMAL ±	N/A	
		FRACTION ±	1/32	
ECN		14832	ANGULAR ±	N/A

BD2 TDR RETROFIT ASSEMBLY

SHOWN WITH

12004025 COUNTER TOP & 00500993 TRANSACTION DRAWER


SIZE	DRAWING NO.	SHEET	OF
B	24068210	1	1



MATERIAL: 18 GA. STAINLESS STEEL WITH #4 FINISH (CONTACT FACTORY FOR OTHER FINISHES).
 MODEL 00500993 TRANSACTION DRAWER WITH OPERATOR SWITCH IS NOT INCLUDED IN THIS KIT.
 ALL DIMENSIONS AND APPEARANCE ARE SUBJECT TO CHANGE WITHOUT NOTICE.

PROPRIETARY

THIS DOCUMENTATION AND INFORMATION CONTAINED ARE THE SOLE PROPERTY OF E.F. BAVIS & ASSOC., INC. IT SHALL BE RETURNED UPON REQUEST AND SHALL NOT BE REPRODUCED IN WHOLE OR IN PART, OR DISCLOSED TO ANYONE ELSE, OR USED, WITHOUT WRITTEN CONSENT OF E.F. BAVIS & ASSOC., INC.

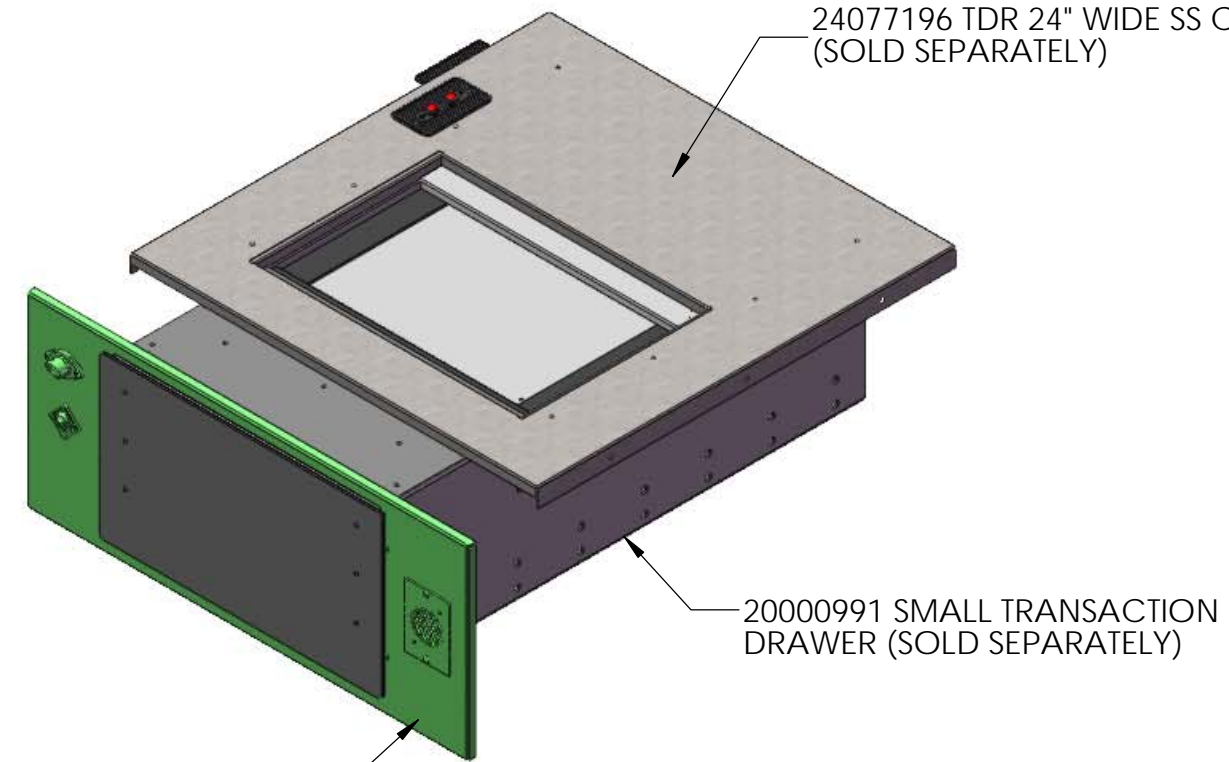
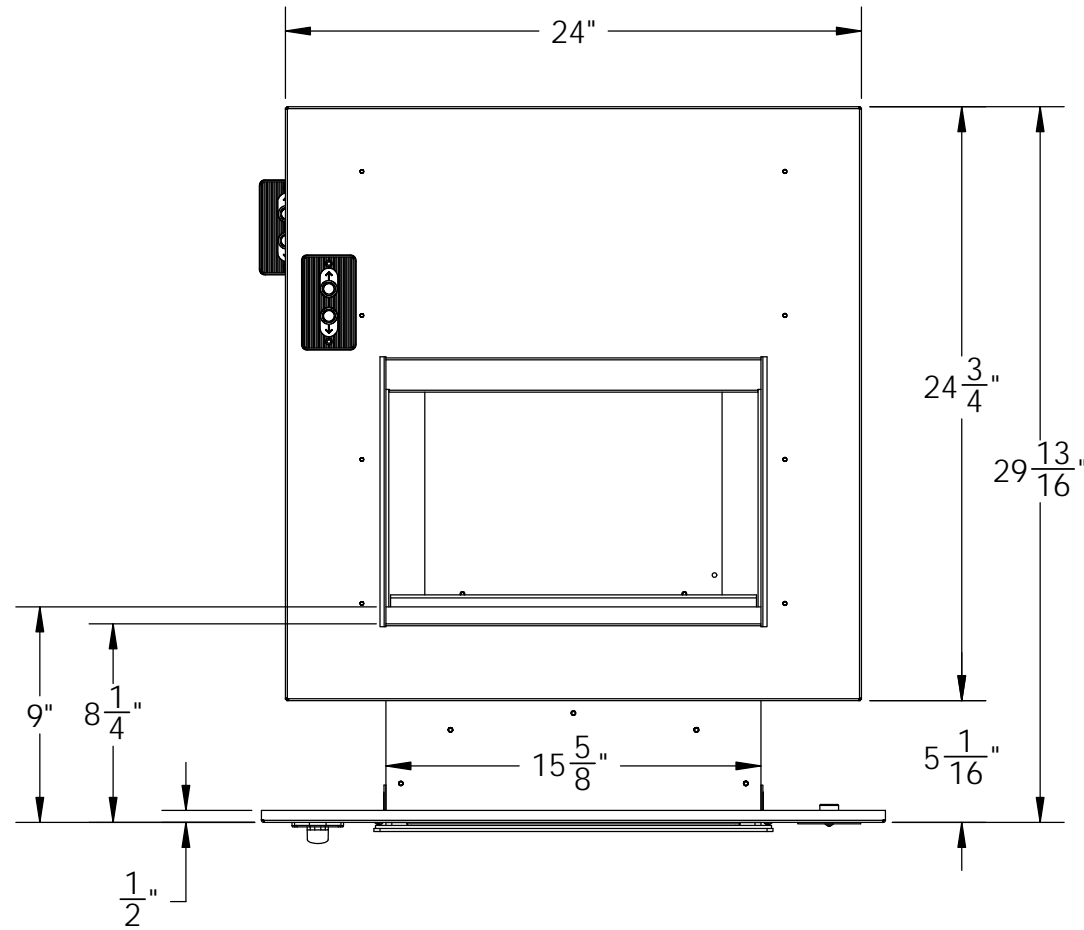


201 GRANDIN RD.
 MAINEVILLE, OH 45039
 T: 513.677.0500
 F: 513.677.0552
 WWW.BAVIS.COM

SIGNATURES		DATE	TITLE
DRAWN MJC		11/18/13	TDR 53" X 13-5/8" TRIM PANEL ASSY
CHECKED			NO AUDIO
ENGR.			USE WITH MODEL 00500993 DRAWER
DIMENSIONS ARE IN INCHES UNLESS OTHERWISE SPECIFIED	TOLERANCE UNLESS OTHERWISE NOTED:		
	DECIMAL ±	N/A	
ECN	FRACTION ±	1/32	SIZE
14893	ANGULAR ±	N/A	B

DRAWING NO.	SHEET
24068211	2
	OF 2

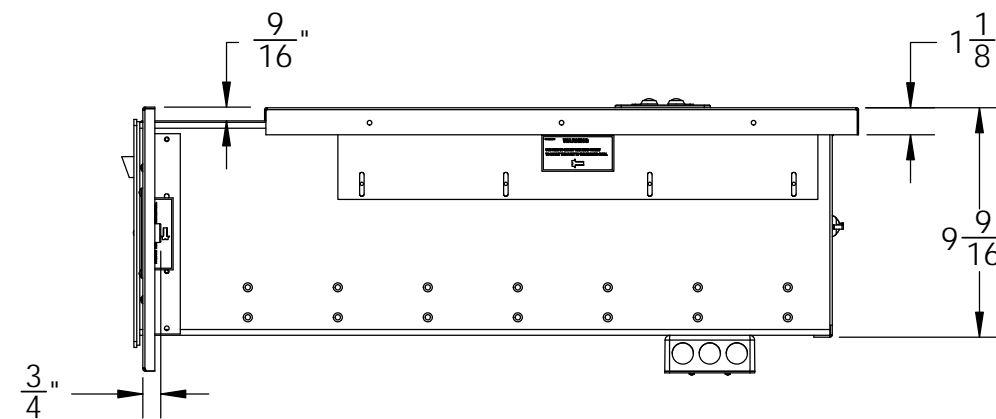
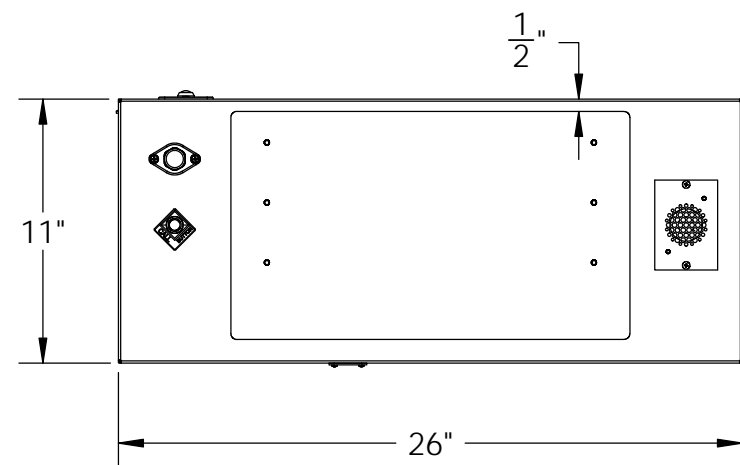
DATE	ECN	REVISION RECORD	DR	CK
01/16/19	19694	REPLACE SPEAKER & REMOVE BACKBOX	MC	DL



24077196 TDR 24" WIDE SS COUNTERTOP ASSM (SOLD SEPARATELY)

20000991 SMALL TRANSACTION DRAWER (SOLD SEPARATELY)


24068212 TDR 26" X 11" AUDIO PANEL ASSM



MATERIAL: 18 GA. STAINLESS STEEL WITH #4 FINISH (CONTACT FACTORY FOR OTHER FINISHES).
 MODEL 20000991 SMALL TRANSACTION DRAWER WITH OPERATOR SWITCH IS NOT INCLUDED IN THIS KIT
 TDR 24in WIDE SS COUNTERTOP ASSM (P.N. 24077196) IS NOT INCLUDED IN THIS KIT
 ALL DIMENSIONS AND APPEARANCE ARE SUBJECT TO CHANGE WITHOUT NOTICE.

PROPRIETARY

THIS DOCUMENTATION AND INFORMATION CONTAINED ARE THE SOLE PROPERTY OF E.F. BAVIS & ASSOC., INC. IT SHALL BE RETURNED UPON REQUEST AND SHALL NOT BE REPRODUCED IN WHOLE OR IN PART, OR DISCLOSED TO ANYONE ELSE, OR USED, WITHOUT WRITTEN CONSENT OF E.F. BAVIS & ASSOC., INC.



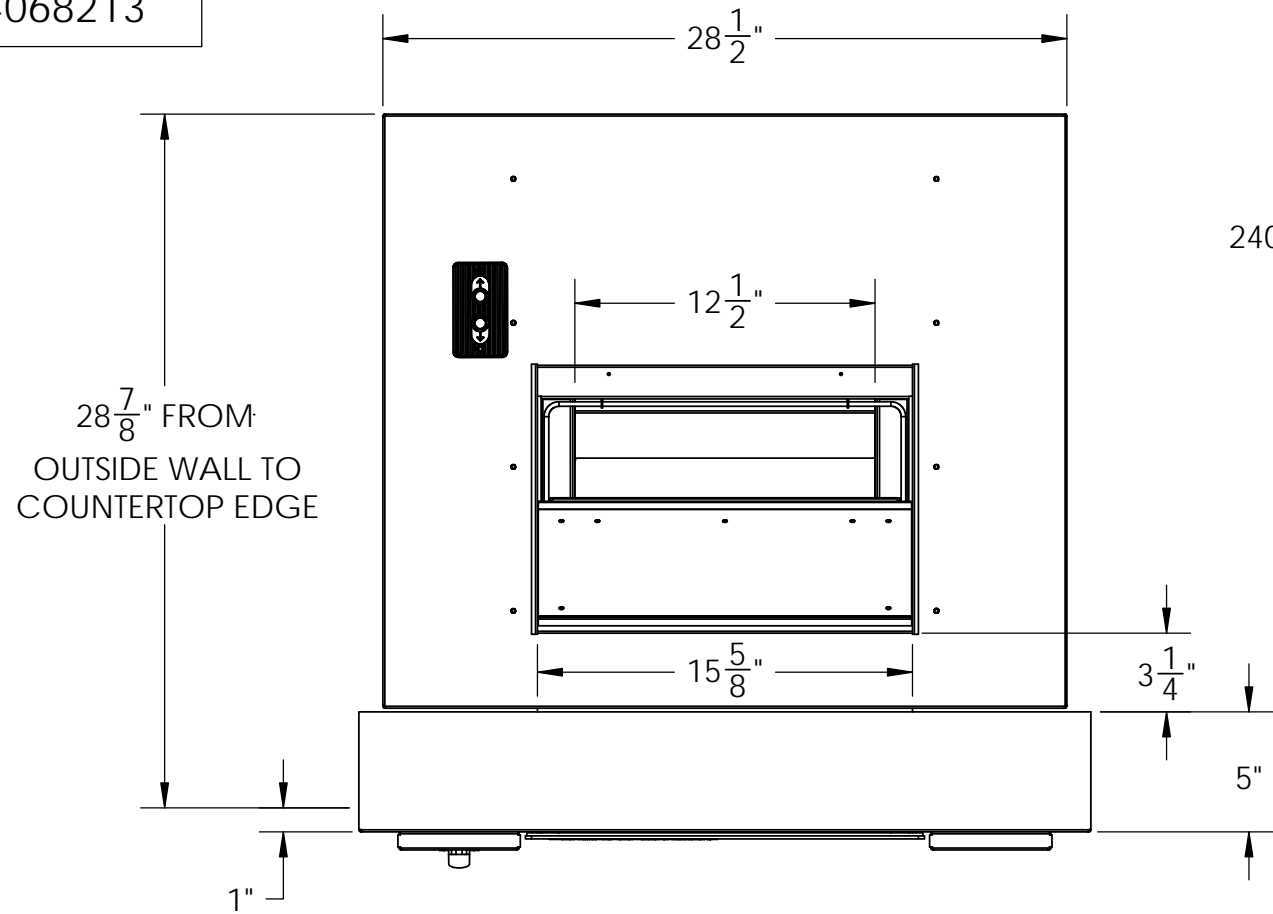
201 GRANDIN RD.
MAINEVILLE, OH 45039
T: 513.677.0500
F: 513.677.0552
WWW.BAVIS.COM

SIGNATURES		DATE	TITLE
DRAWN MJC		11/19/13	TDR 26 X 11 AUDIO PANEL ASSM FOR MODEL 20000991 DRAWER
CHECKED			
ENGR.			
DIMENSIONS ARE IN INCHES UNLESS OTHERWISE SPECIFIED	TOLERANCE UNLESS OTHERWISE NOTED:		
	DECIMAL ±	N/A	
ECN	FRACTION ±	1/32	SIZE
14970	ANGULAR ±	N/A	B

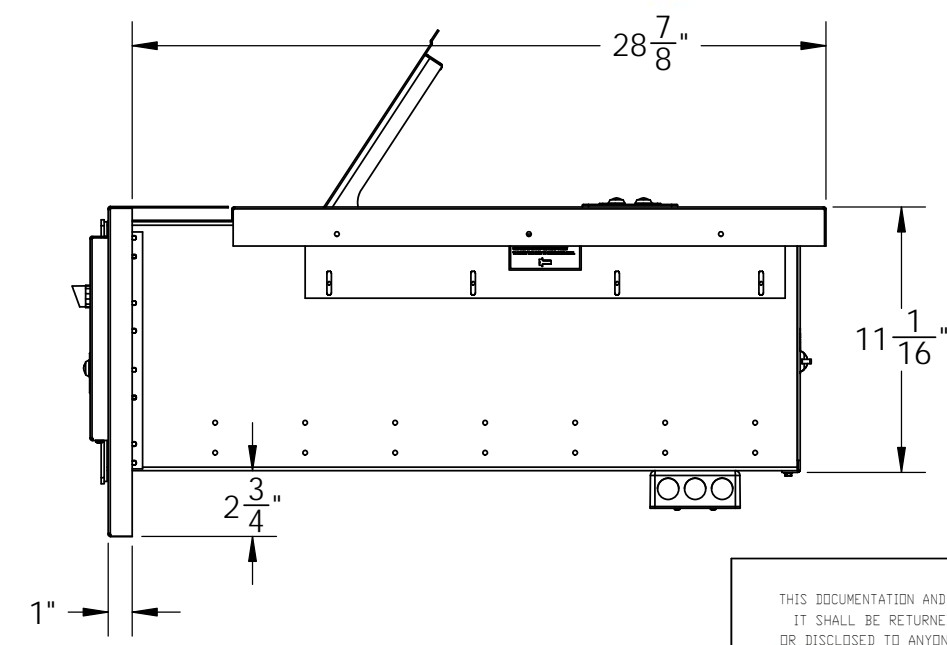
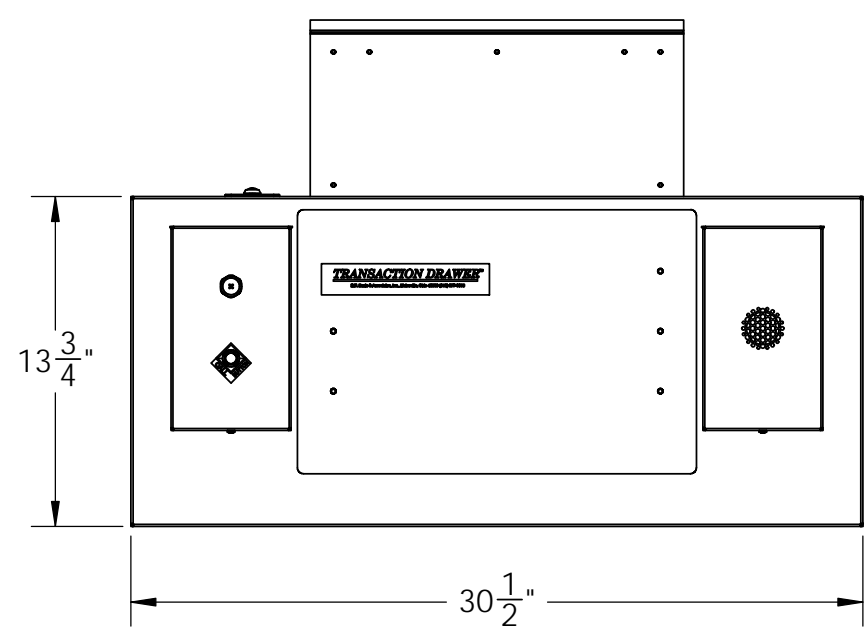
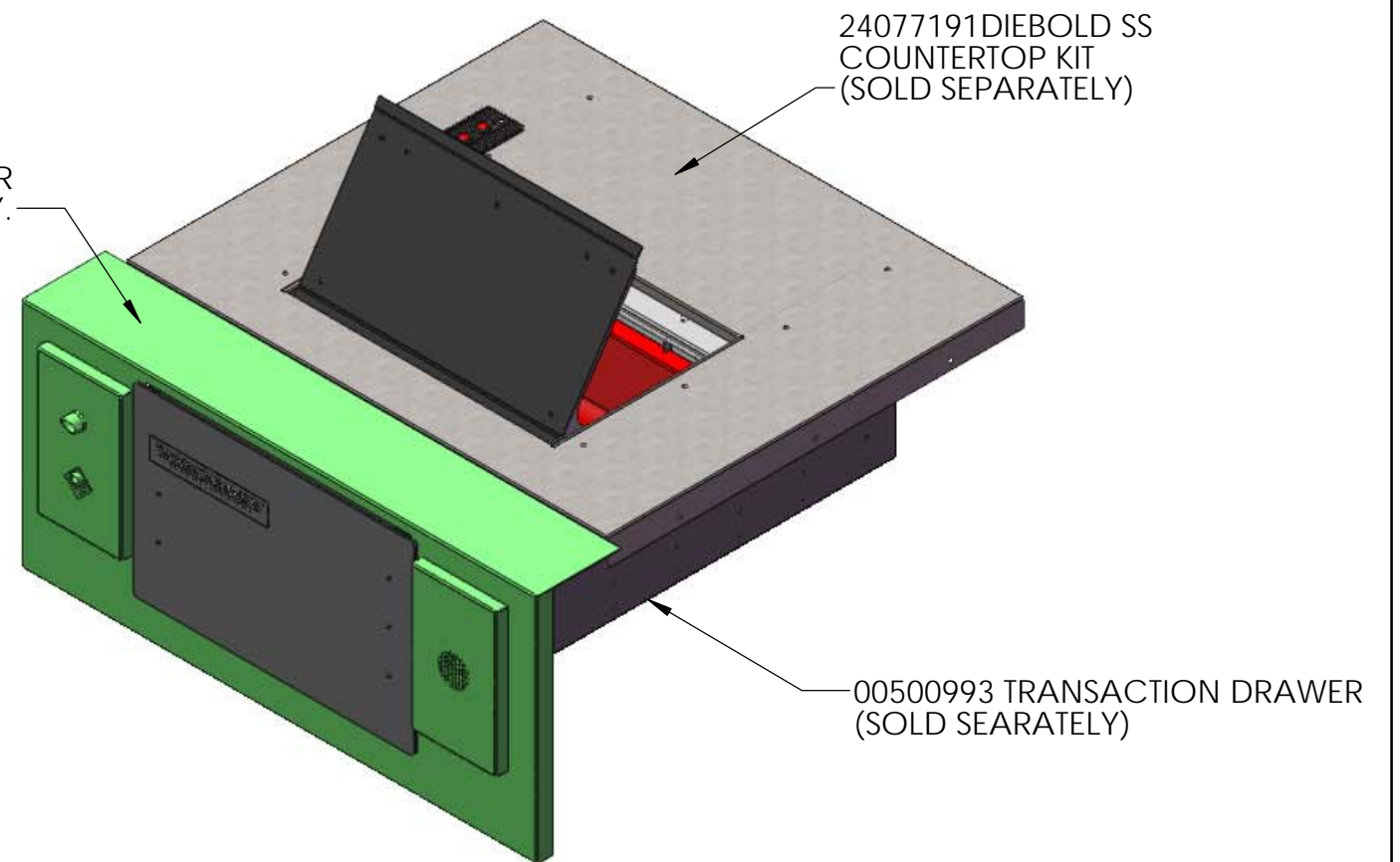
DRAWING NO. **24068212** SHEET 3 OF 3

24068213

DATE	ECN	REVISION RECORD	DR	CK
------	-----	-----------------	----	----




24068213 DIEBOLD TDR
CUST. PANEL ASSY.



MATERIAL: 18 GA. STAINLESS STEEL WITH #4 FINISH (CONTACT FACTORY FOR OTHER FINISHES).
 MODEL 00500993 TRANSACTION DRAWER WITH OPERATOR SWITCH IS NOT INCLUDED IN THIS KIT.
 DIEBOLD SS COUNTERTOP KIT, (P.N. 24077191), IS NOT INCLUDED IN THIS KIT.
 ALL DIMENSIONS AND APPEARANCE ARE SUBJECT TO CHANGE WITHOUT NOTICE.

PROPRIETARY

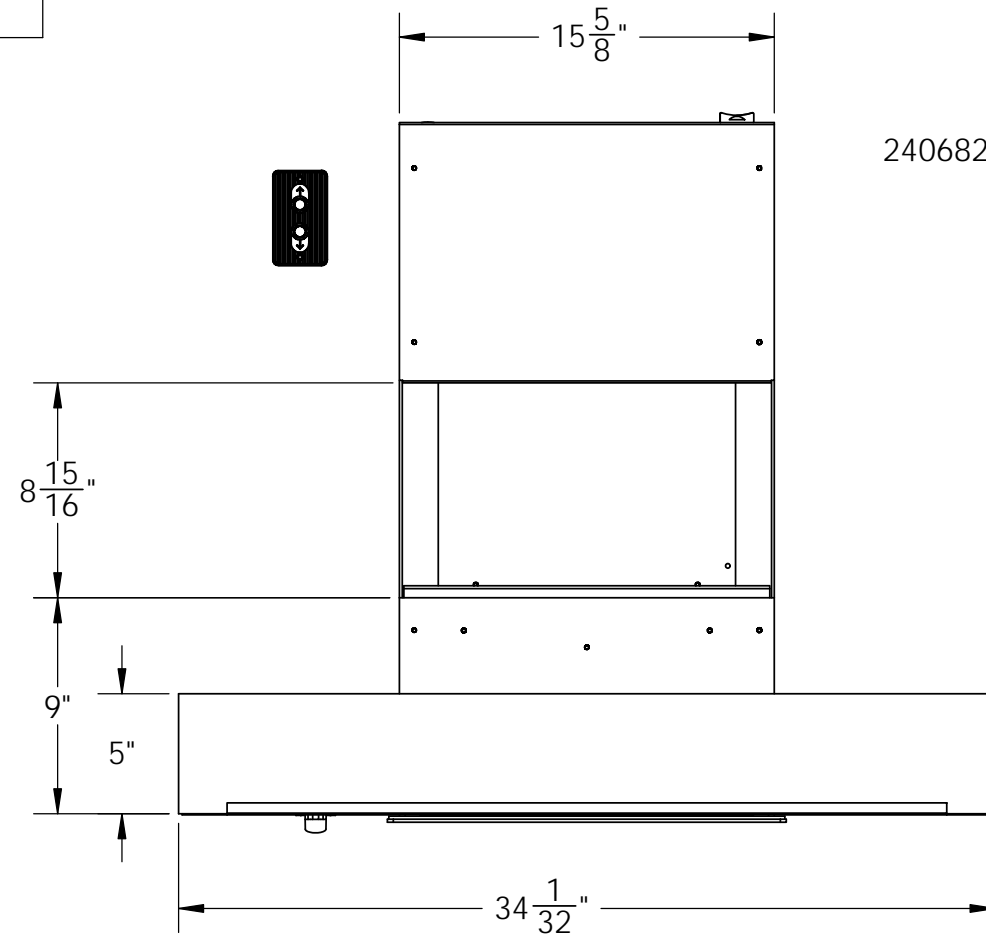
THIS DOCUMENTATION AND INFORMATION CONTAINED ARE THE SOLE PROPERTY OF E.F. BAVIS & ASSOC., INC. IT SHALL BE RETURNED UPON REQUEST AND SHALL NOT BE REPRODUCED IN WHOLE OR IN PART, OR DISCLOSED TO ANYONE ELSE, OR USED, WITHOUT WRITTEN CONSENT OF E.F. BAVIS & ASSOC., INC.



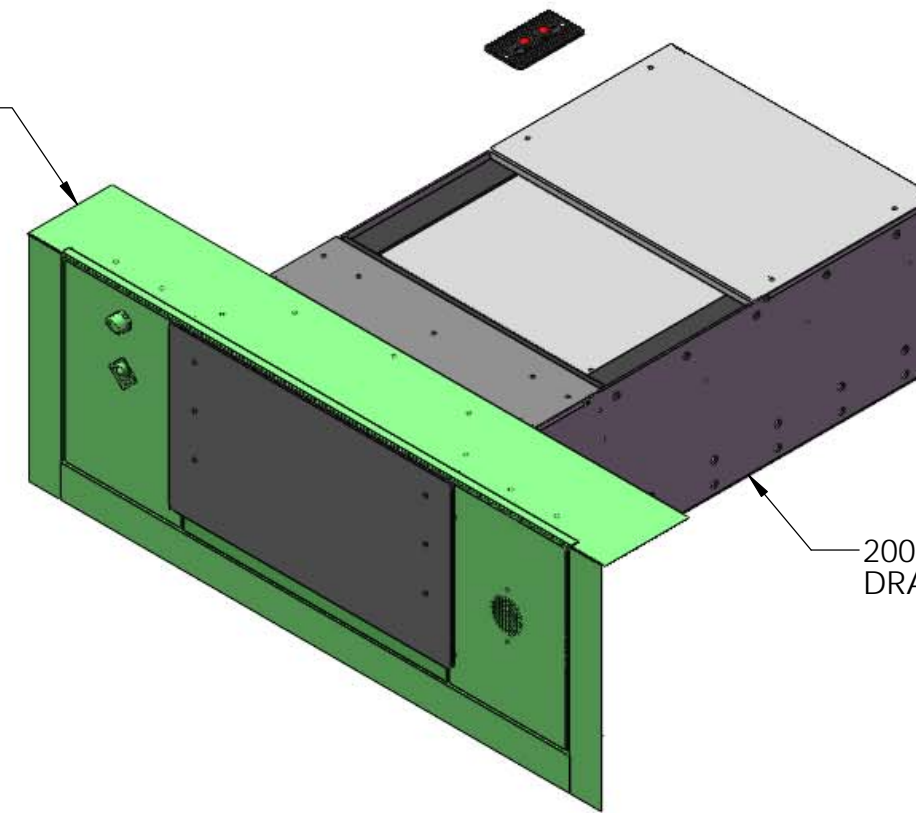
201 GRANDIN RD.
MAINEVILLE, OH 45039
T: 513.677.0500
F: 513.677.0552
WWW.BAVIS.COM

SIGNATURES		DATE	TITLE
DRAWN MJC		12/20/13	DIEBOLD TDR CUST PANEL ASSY #7
CHECKED			
ENGR.			
DIMENSIONS ARE IN INCHES		TOLERANCE UNLESS OTHERWISE NOTED:	
UNLESS OTHERWISE SPECIFIED		DECIMAL ± N/A	
ECN 14994		FRACTION ± 1/32	
		ANGULAR ± N/A	

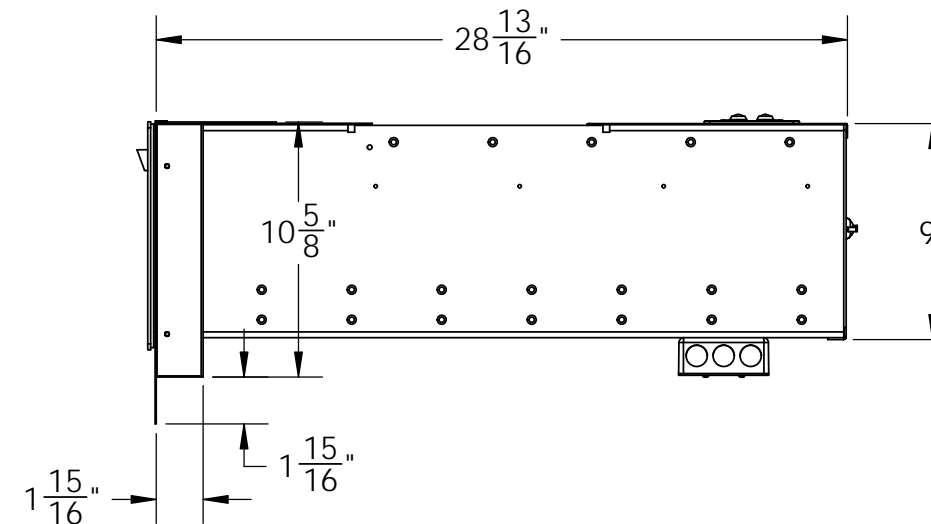
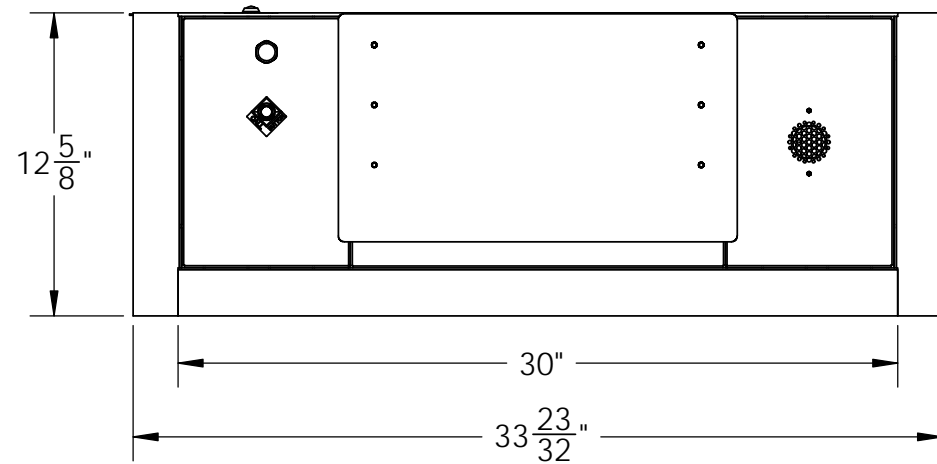
SIZE	DRAWING NO.	SHEET	OF
B	24068213	3	5



24068214 TDR CUST PANEL ASSY



20000991 SMALL TRANSACTION DRAWER (SOLD SEARATELY)



MATERIAL: 18 GA. STAINLESS STEEL WITH #4 FINISH (CONTACT FACTORY FOR OTHER FINISHES).

MODEL 20000991 SMALL TRANSACTION DRAWER WITH OPERATOR SWITCH IS NOT INCLUDED IN THIS KIT

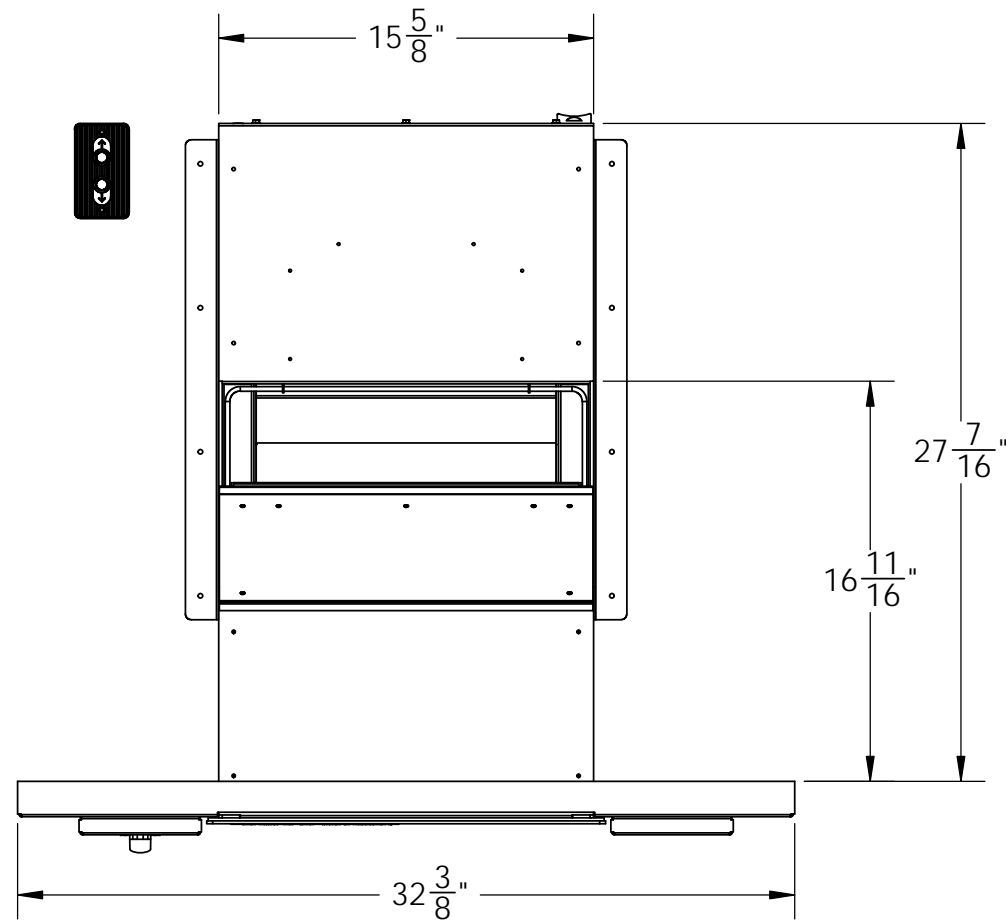
ALL DIMENSIONS AND APPEARANCE ARE SUBJECT TO CHANGE WITHOUT NOTICE.

PROPRIETARY
 THIS DOCUMENTATION AND INFORMATION CONTAINED ARE THE SOLE PROPERTY OF E.F.BAVIS & ASSOC., INC. IT SHALL BE RETURNED UPON REQUEST AND SHALL NOT BE REPRODUCED IN WHOLE OR IN PART, OR DISCLOSED TO ANYONE ELSE, OR USED, WITHOUT WRITTEN CONSENT OF E.F. BAVIS & ASSOC., INC.

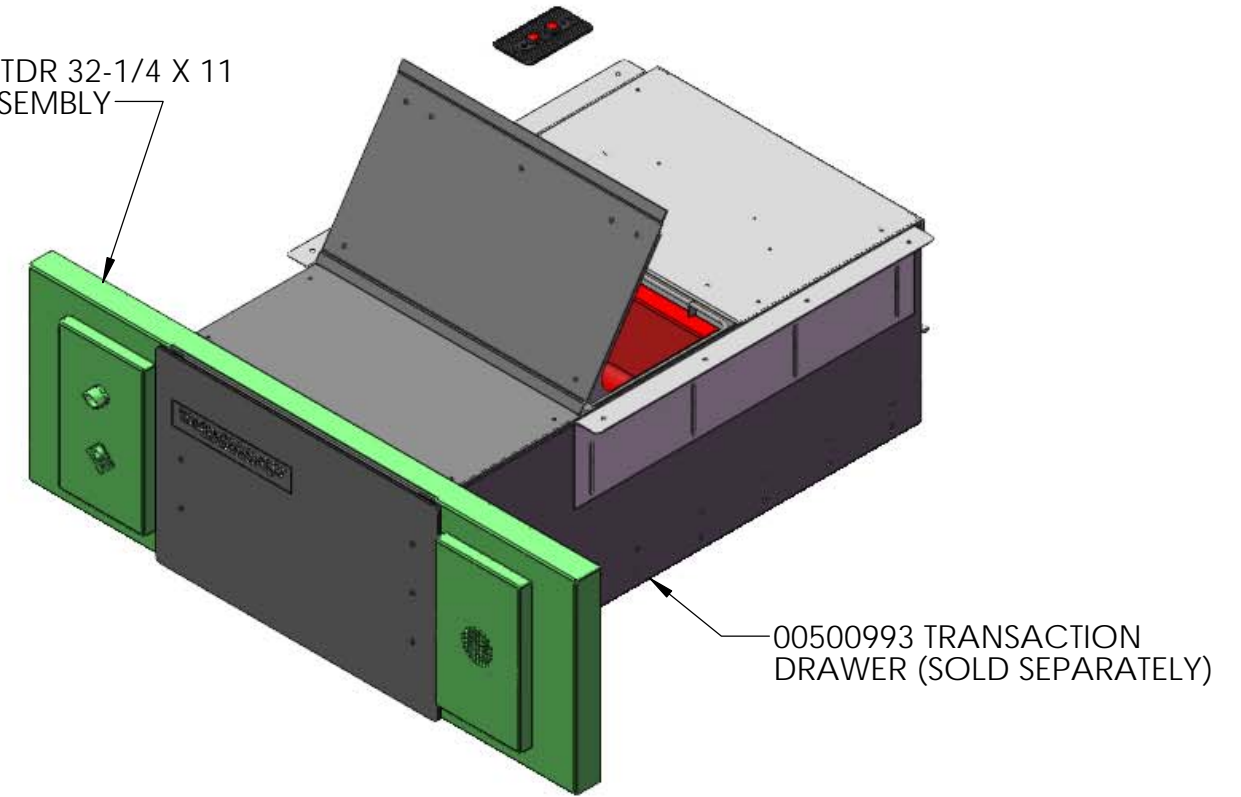


201 GRANDIN RD.
 MAINEVILLE, OH 45039
 T: 513.677.0500
 F: 513.677.0552
 WWW.BAVIS.COM

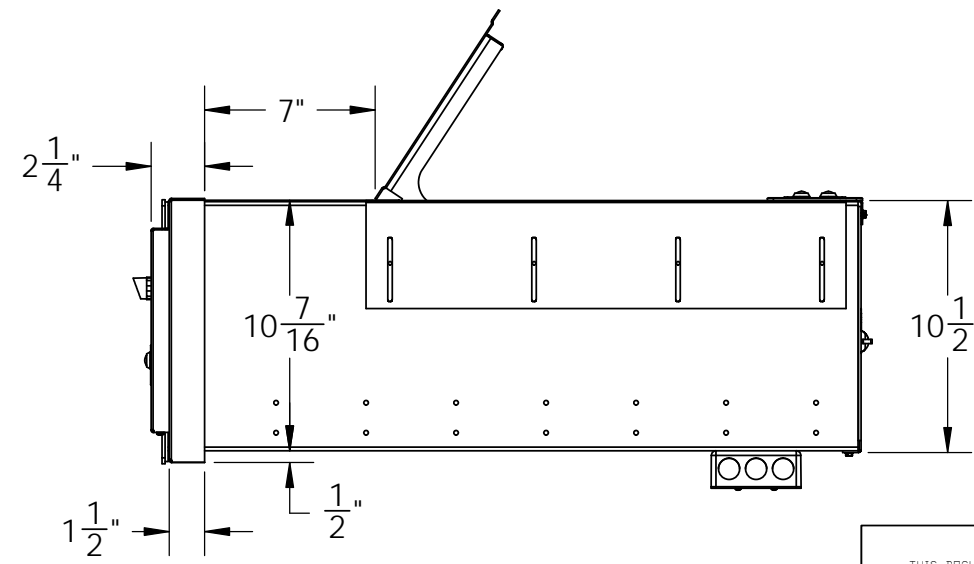
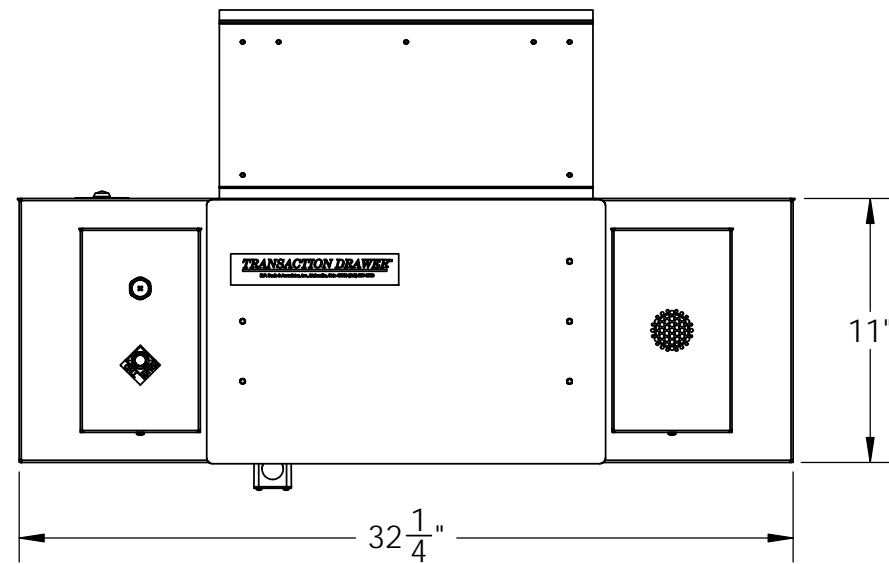
SIGNATURES		DATE	TITLE
DRAWN MJC		01/08/14	TDR CUST PANEL ASSY
CHECKED			
ENGR.			
DIMENSIONS ARE IN INCHES	TOLERANCE UNLESS OTHERWISE NOTED:		
UNLESS OTHERWISE SPECIFIED	DECIMAL ±	N/A	
	FRACTION ±	1/32	
ECN 15013	ANGULAR ±	N/A	
SIZE B	DRAWING NO. 24068214	SHEET 2 OF 2	Pg. 41



24068215 TDR 32-1/4 X 11
PANEL ASSEMBLY



00500993 TRANSACTION
DRAWER (SOLD SEPARATELY)

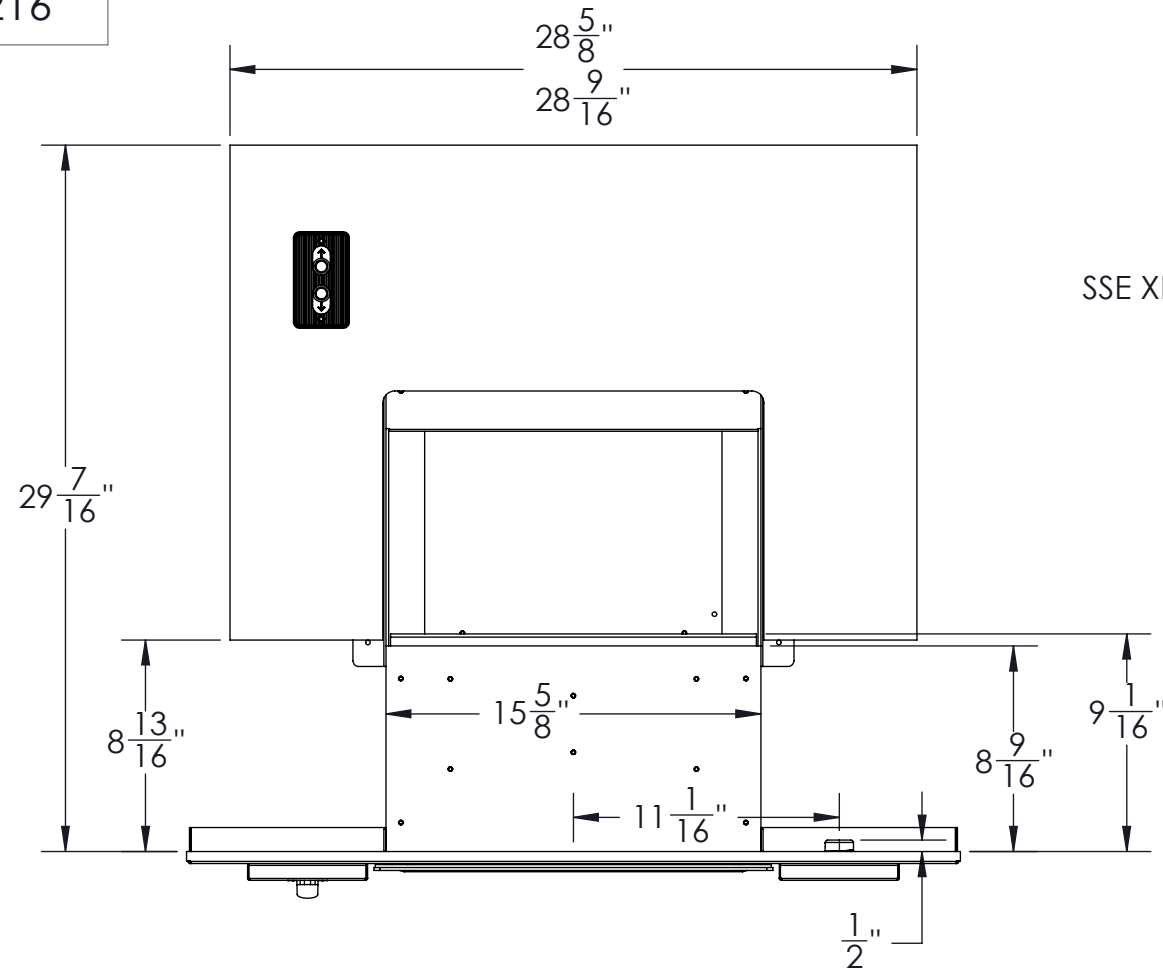


MATERIAL: 18 GA. STAINLESS STEEL WITH #4 FINISH (CONTACT FACTORY FOR OTHER FINISHES).
 MODEL 00500993 TRANSACTION DRAWER WITH OPERATOR SWITCH IS NOT INCLUDED IN THIS KIT.
 ALL DIMENSIONS AND APPEARANCE ARE SUBJECT TO CHANGE WITHOUT NOTICE.

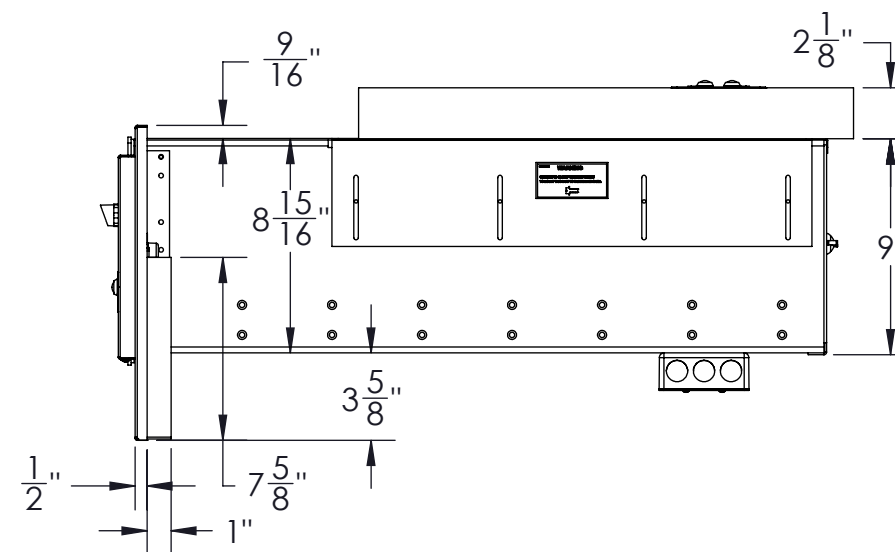
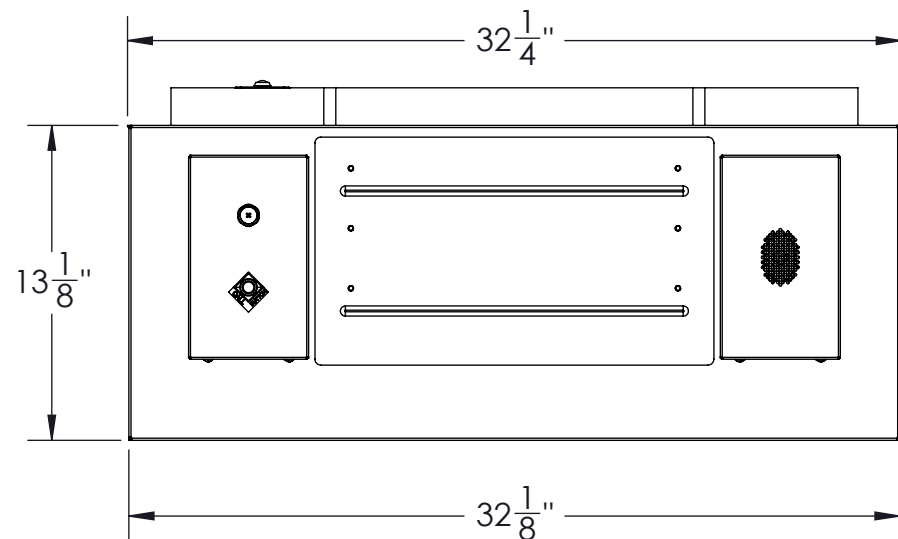
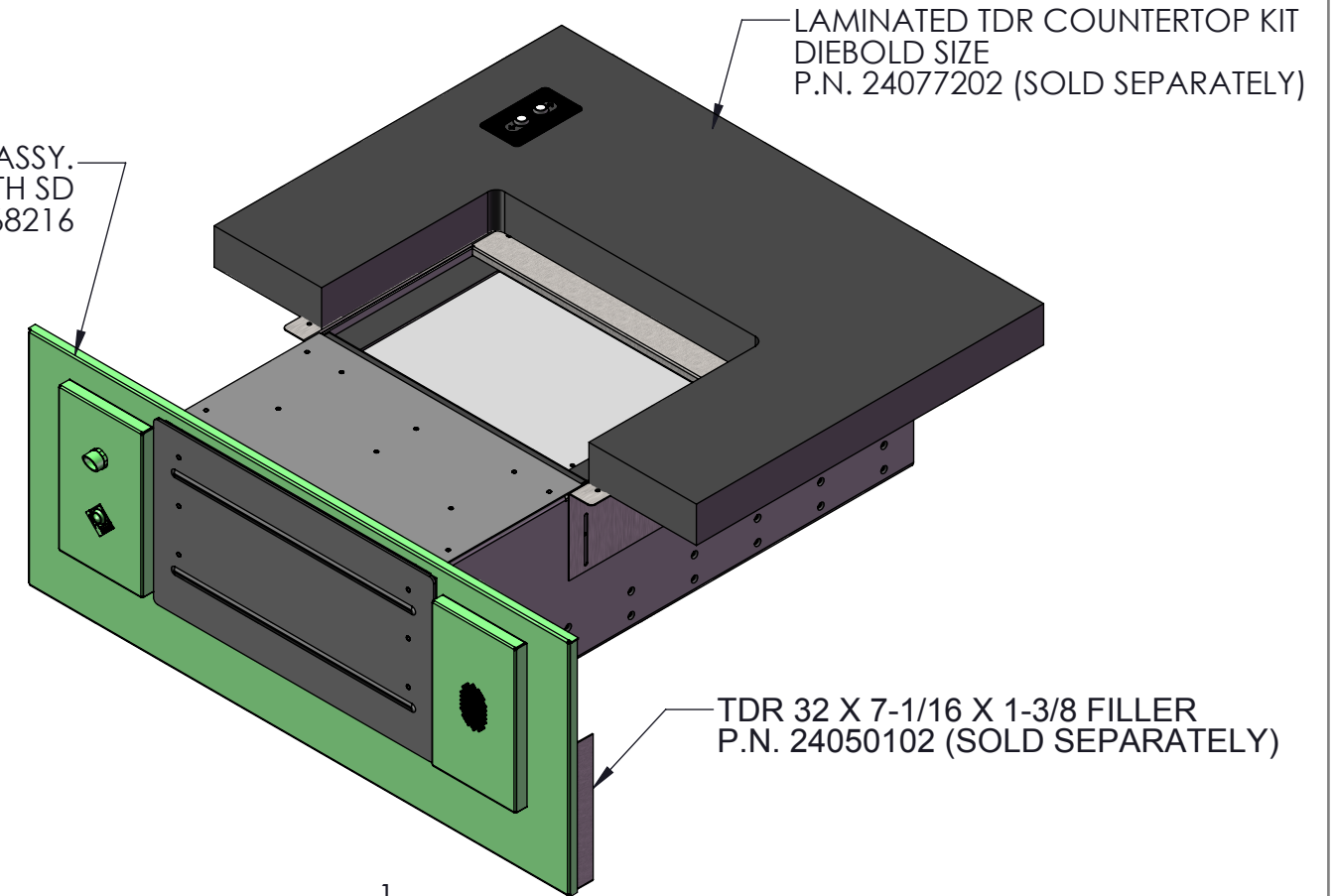
PROPRIETARY
 THIS DOCUMENTATION AND INFORMATION CONTAINED ARE THE SOLE PROPERTY OF E.F. BAVIS & ASSOC., INC.
 IT SHALL BE RETURNED UPON REQUEST AND SHALL NOT BE REPRODUCED IN WHOLE OR IN PART,
 OR DISCLOSED TO ANYONE ELSE, OR USED, WITHOUT WRITTEN CONSENT OF E.F. BAVIS & ASSOC., INC.



SIGNATURES		DATE	TITLE
DRAWN MJC		01/30/14	TDR 32-1/4x11 PANEL ASSEMBLY
CHECKED			SHOWN WITH 00500993 DRAWER
ENGR.			
DIMENSIONS ARE IN INCHES	TOLERANCE UNLESS OTHERWISE NOTED:		
UNLESS OTHERWISE SPECIFIED	DECIMAL ±	N/A	
	FRACTION ±	1/32	
ECN	ANGULAR ±	N/A	
15135			
SIZE B	DRAWING NO.	24068215	SHEET 2 OF 2




SSE XD1100 TDR CUST PANEL ASSY.
FOR USE WITH SD
P.N. 24068216



MATERIAL: 18 GA. STAINLESS STEEL WITH #4 FINISH (CONTACT FACTORY FOR OTHER FINISHES).
 MODEL 20000991 TRANSACTION DRAWER WITH OPERATOR SWITCH IS NOT INCLUDED IN THIS KIT.
 PART NUMBERS 24077202 COUNTERTOP AND 24050102 FILLER ARE NOT INCLUDED IN THIS KIT.
 ALL DIMENSIONS AND APPEARANCE ARE SUBJECT TO CHANGE WITHOUT NOTICE.

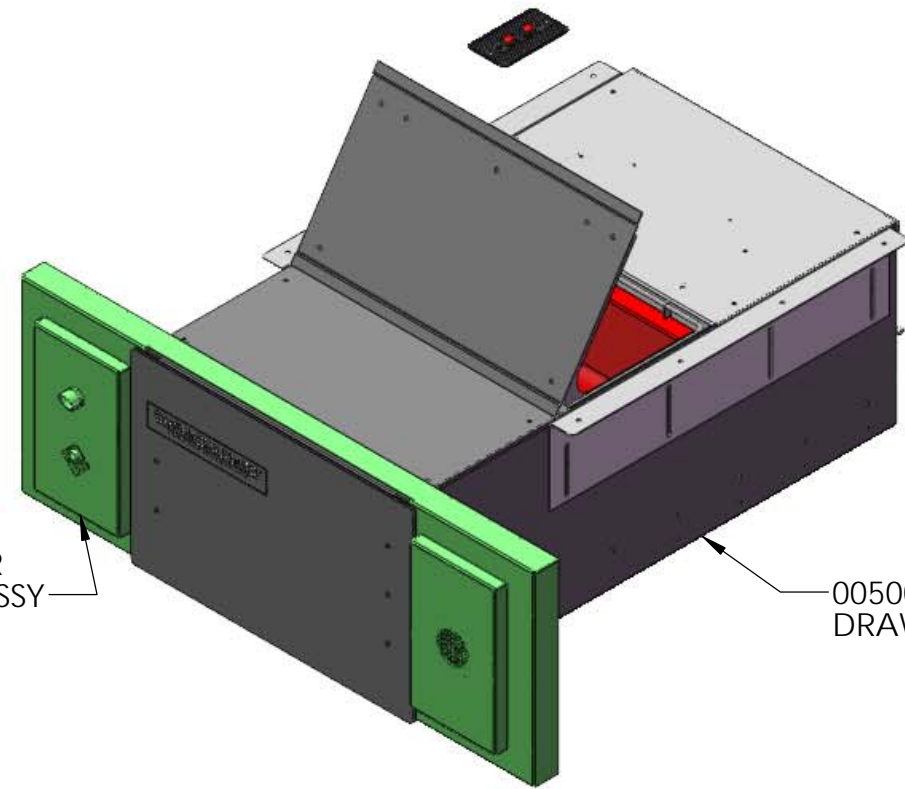
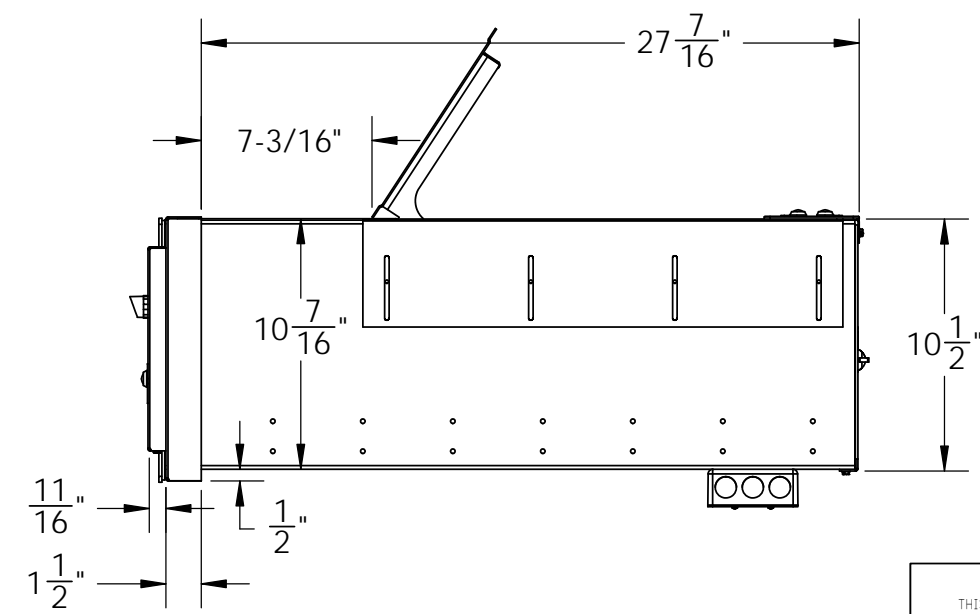
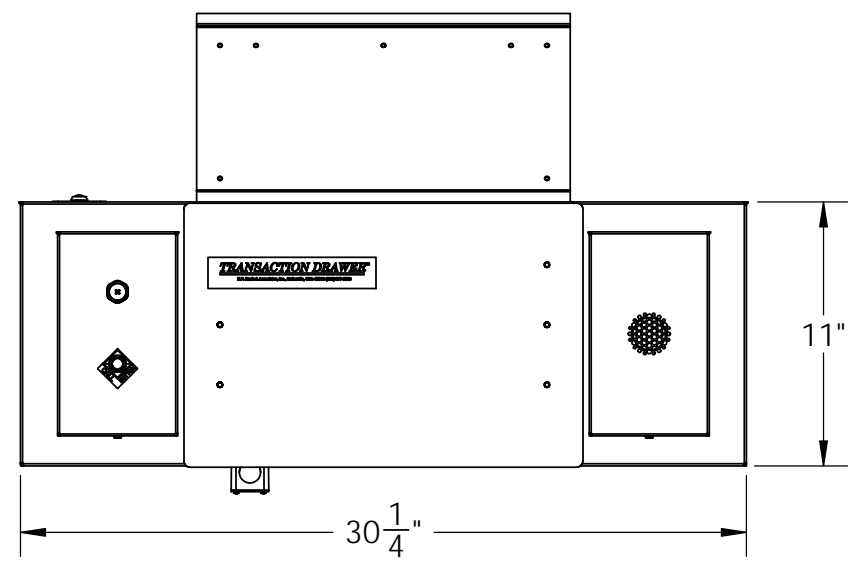
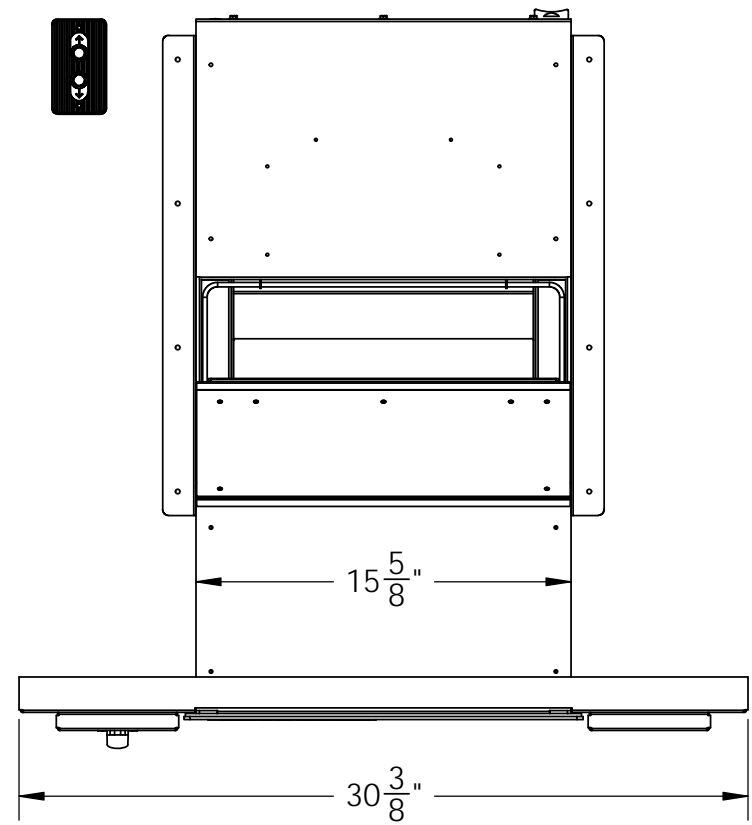
PROPRIETARY

THIS DOCUMENTATION AND INFORMATION CONTAINED ARE THE SOLE PROPERTY OF E.F. BAVIS & ASSOC., INC. IT SHALL BE RETURNED UPON REQUEST AND SHALL NOT BE REPRODUCED IN WHOLE OR IN PART, OR DISCLOSED TO ANYONE ELSE, OR USED, WITHOUT WRITTEN CONSENT OF E.F. BAVIS & ASSOC., INC.



201 GRANDIN RD.
MAINEVILLE, OH 45039
T: 513.677.0500
F: 513.677.0552
WWW.BAVIS.COM

SIGNATURES		DATE	TITLE
DRAWN MJC		03/20/14	SSE XD1100 TDR PANEL ASSY FOR SMALL DRAWER
CHECKED			
ENGR.			
DIMENSIONS ARE IN INCHES		TOLERANCE UNLESS OTHERWISE NOTED:	
UNLESS OTHERWISE SPECIFIED		DECIMAL ± N/A	
ECN 15258		FRACTION ± 1/32	
		ANGULAR ± N/A	
		SIZE B	DRAWING NO. 24068216
		SHEET 3	OF 3




24068217 MOSLER
TDR 30-1/4 X 11 ASSY

00500993 TRANSACTION
DRAWER (SOLD SEPARATELY)

MATERIAL: 18 GA. STAINLESS STEEL WITH #4 FINISH (CONTACT FACTORY FOR OTHER FINISHES).
 MODEL 00500993 TRANSACTION DRAWER WITH OPERATOR SWITCH IS NOT INCLUDED IN THIS KIT.
 ALL DIMENSIONS AND APPEARANCE ARE SUBJECT TO CHANGE WITHOUT NOTICE.

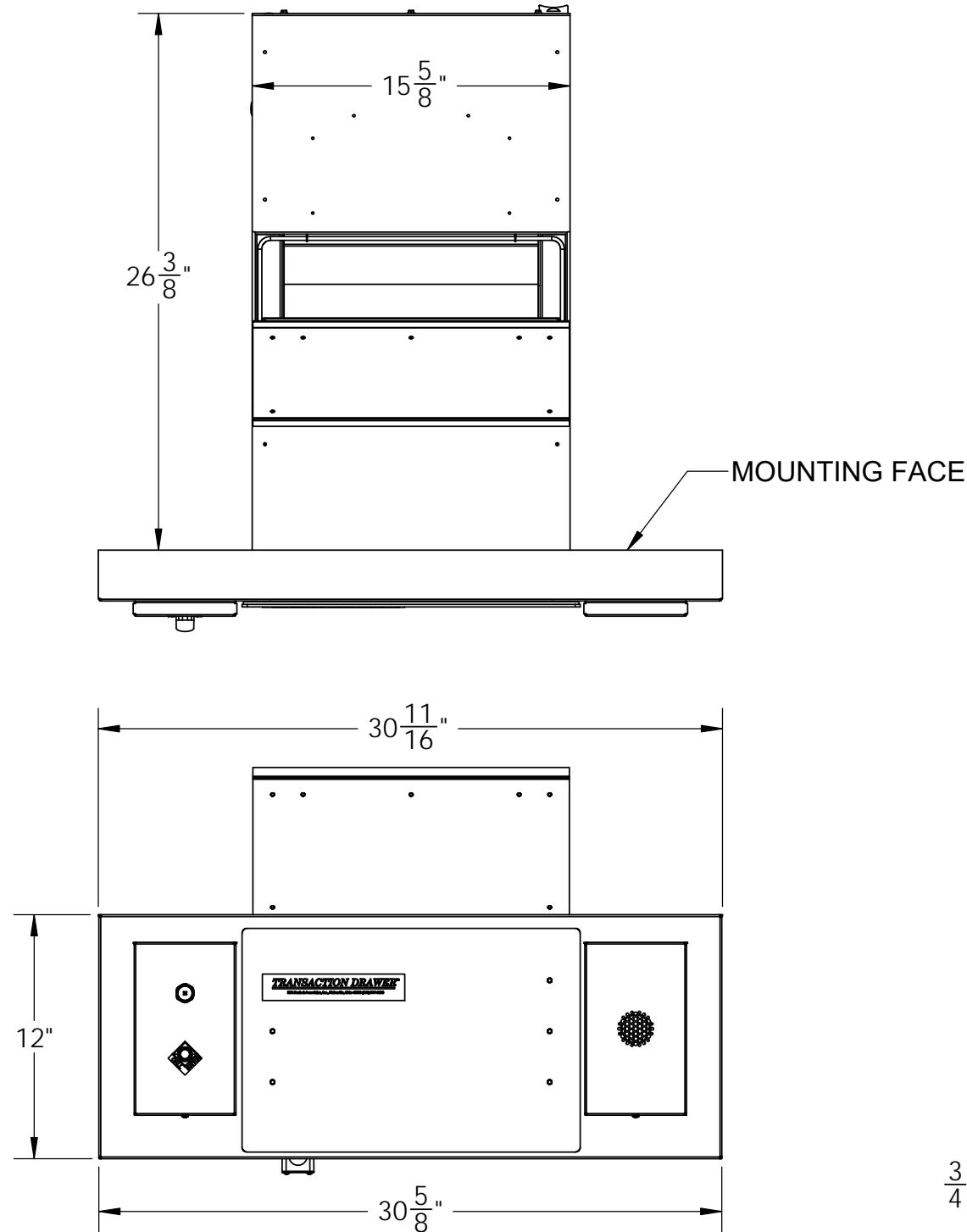
PROPRIETARY

THIS DOCUMENTATION AND INFORMATION CONTAINED ARE THE SOLE PROPERTY OF E.F. BAVIS & ASSOC., INC. IT SHALL BE RETURNED UPON REQUEST AND SHALL NOT BE REPRODUCED IN WHOLE OR IN PART, OR DISCLOSED TO ANYONE ELSE, OR USED, WITHOUT WRITTEN CONSENT OF E.F. BAVIS & ASSOC., INC.

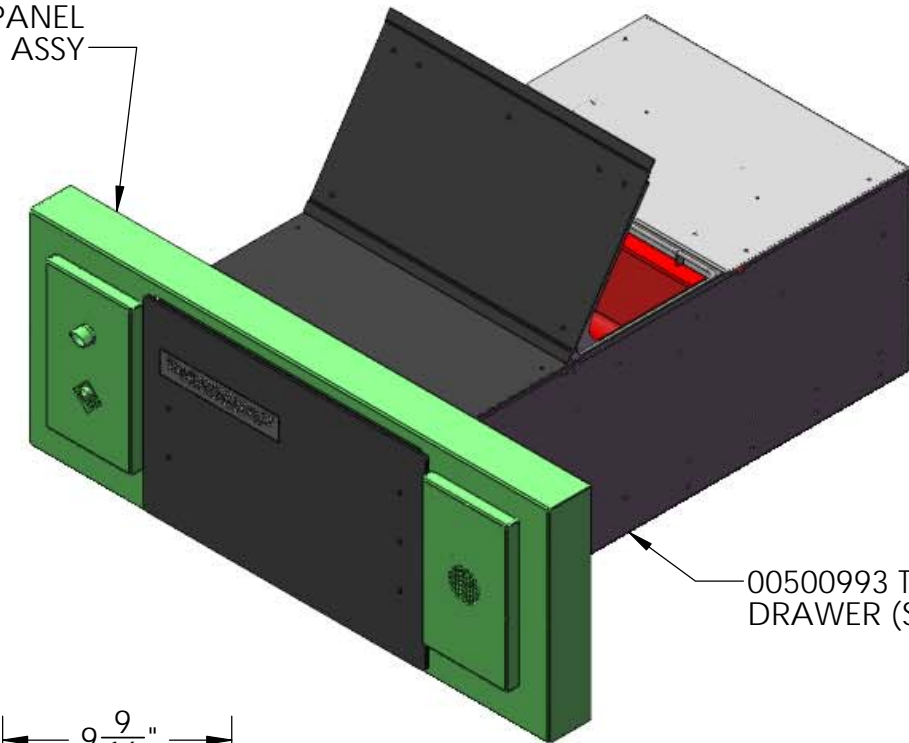


201 GRANDIN RD.
 MAINEVILLE, OH 45039
 T: 513.677.0500
 F: 513.677.0552
 WWW.BAVIS.COM

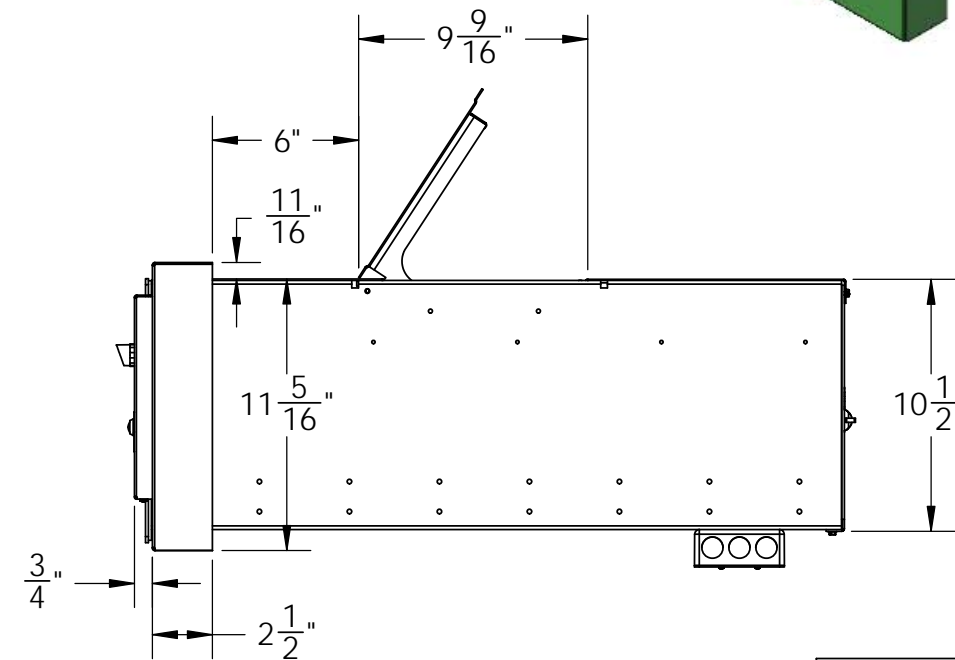
SIGNATURES	DATE	TITLE
DRAWN: MJC	04/29/14	MOSLER TDR 30-1/4 X 11 ASSY SHOW WITH 00500993 DRAWER
CHECKED:		
ENGR.:		
DIMENSIONS ARE IN INCHES UNLESS OTHERWISE SPECIFIED		TOLERANCE UNLESS OTHERWISE NOTED: DECIMAL ± N/A FRACTION ± 1/32 ANGULAR ± N/A
ECN: 15394	SIZE: B	DRAWING NO. 24068217
		SHEET 2 OF 2



24068218 COLLIER
U-30 TDR PANEL
ASSY




00500993 TRANSACTION
DRAWER (SOLD SEPARATELY)



MATERIAL: 18 GA. STAINLESS STEEL WITH #4 FINISH (CONTACT FACTORY FOR OTHER FINISHES).
 MODEL 00500993 TRANSACTION DRAWER WITH OPERATOR SWITCH IS NOT INCLUDED IN THIS KIT.
 IF THE MOUNTING FACE OF THIS PANEL WILL BETWEEN 4-1/2" & 6" BACK FROM THE OUTSIDE
 SURFACE OF THE WALL, ORDER THE SOUTHWEST ARM KIT WITH THE 00500993 DRAWER
 ALL DIMENSIONS AND APPEARANCE ARE SUBJECT TO CHANGE WITHOUT NOTICE.

PROPRIETARY

THIS DOCUMENTATION AND INFORMATION CONTAINED ARE THE SOLE PROPERTY OF E.F.BAVIS & ASSOC., INC. IT SHALL BE RETURNED UPON REQUEST AND SHALL NOT BE REPRODUCED IN WHOLE OR IN PART, OR DISCLOSED TO ANYONE ELSE, OR USED, WITHOUT WRITTEN CONSENT OF E.F. BAVIS & ASSOC., INC.

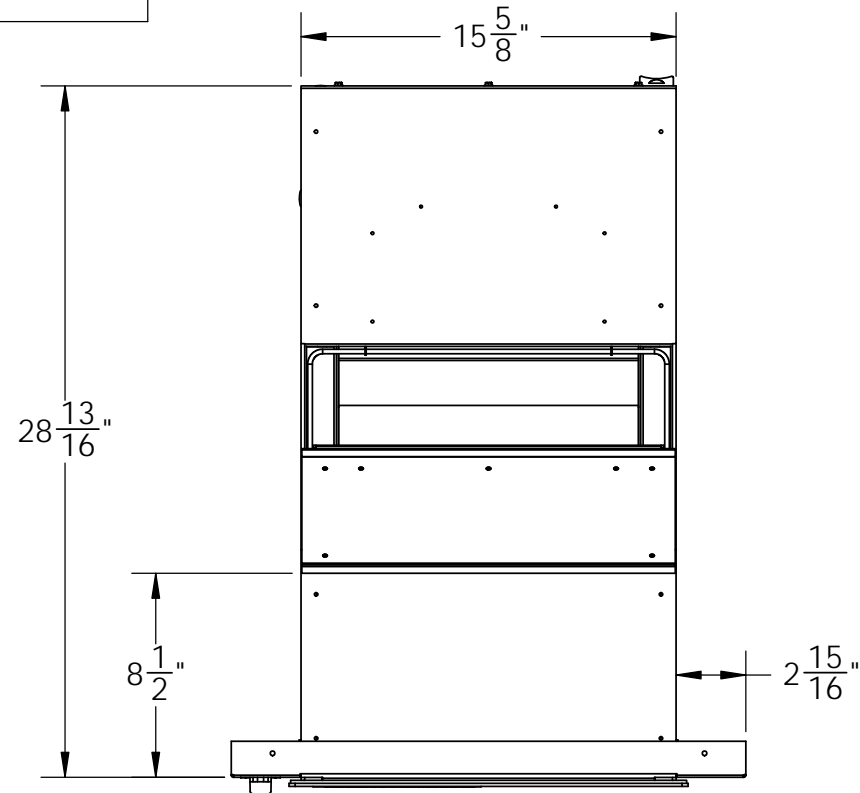


201 GRANDIN RD.
MAINEVILLE, OH 45039
T: 513.677.0500
F: 513.677.0552
WWW.BAVIS.COM

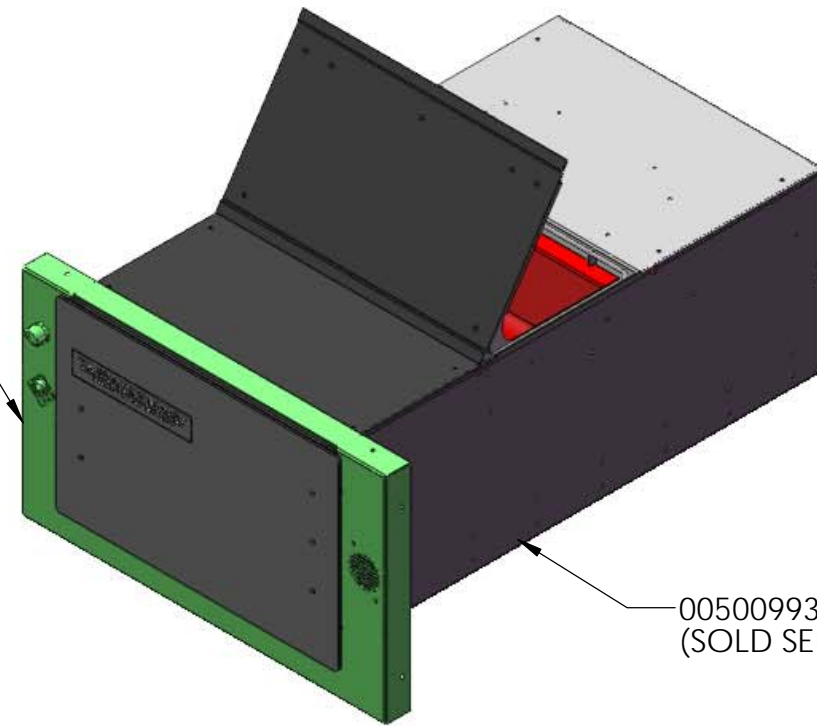
<small>SIGNATURES</small>	<small>DATE</small>	<small>TITLE</small>
DRAWN MJC	10/02/14	COLLIER U-30 TDR PANEL ASSY FOR PANEL RECESSED IN WALL
CHECKED		
ENGR.		
<small>DIMENSIONS ARE IN INCHES UNLESS OTHERWISE SPECIFIED</small>	<small>TOLERANCE UNLESS OTHERWISE NOTED: DECIMAL ± N/A FRACTION ± 1/32 ANGULAR ± N/A</small>	<small>SIZE</small>
ECN 16025		<small>DRAWING NO.</small> 24068218
		<small>SHEET</small> 1 <small>OF</small> 1

24068219

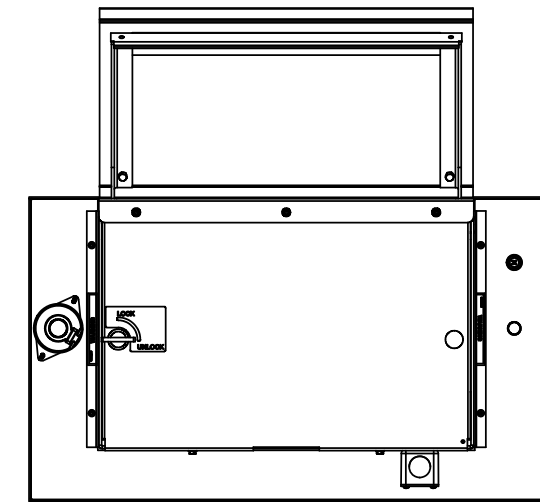
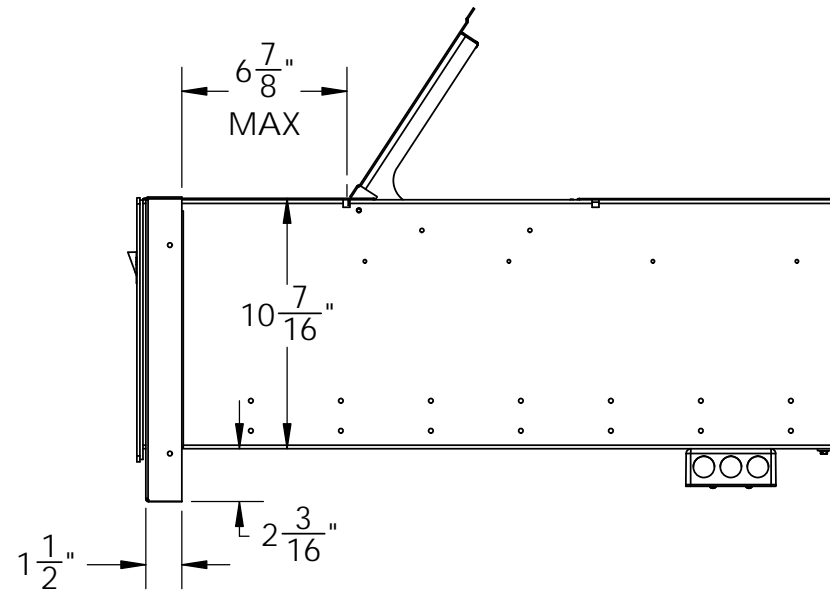
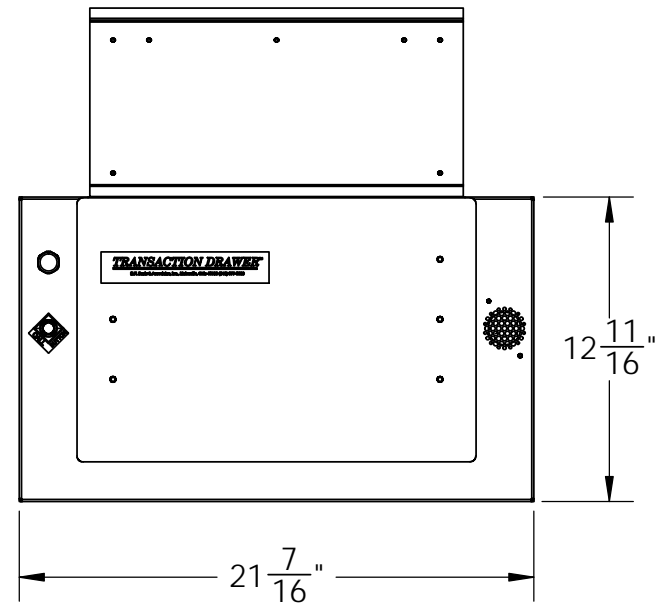
DATE	ECN	REVISION RECORD	DR	CK
01/16/19	19695	REPLACE SPEAKER & REMOVE BACKBOX	MC	DL



24068219 - 21-7/16 X 12-11/16 AUDIO PANEL




00500993 TRANSACTION DRAWER (SOLD SEPARATELY)



MATERIAL: 18 GA. STAINLESS STEEL WITH #4 FINISH (CONTACT FACTORY FOR OTHER FINISHES).
 MODEL 00500993 TRANSACTION DRAWER WITH OPERATOR SWITCH IS NOT INCLUDED IN THIS KIT.
 ALL DIMENSIONS AND APPEARANCE ARE SUBJECT TO CHANGE WITHOUT NOTICE.

PROPRIETARY

THIS DOCUMENTATION AND INFORMATION CONTAINED ARE THE SOLE PROPERTY OF E.F. BAVIS & ASSOC., INC. IT SHALL BE RETURNED UPON REQUEST AND SHALL NOT BE REPRODUCED IN WHOLE OR IN PART, OR DISCLOSED TO ANYONE ELSE, OR USED, WITHOUT WRITTEN CONSENT OF E.F. BAVIS & ASSOC., INC.



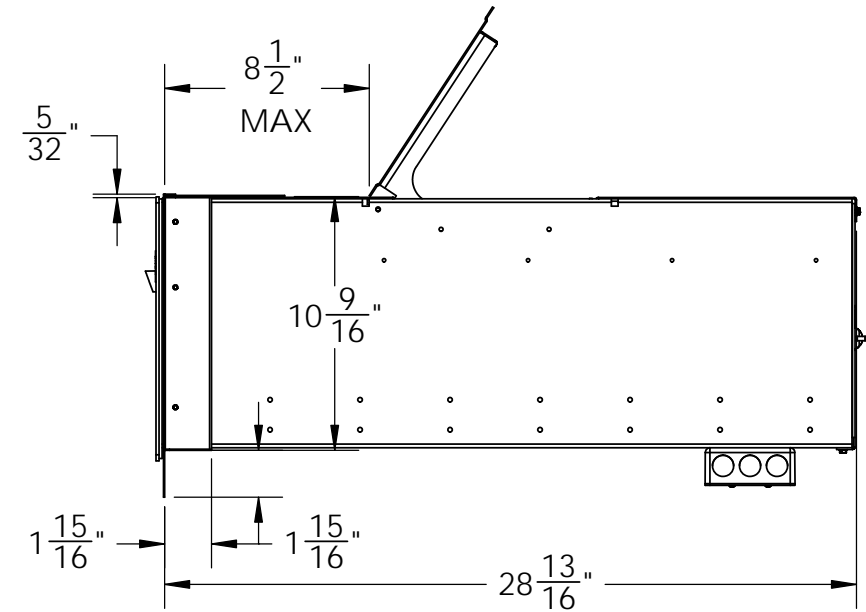
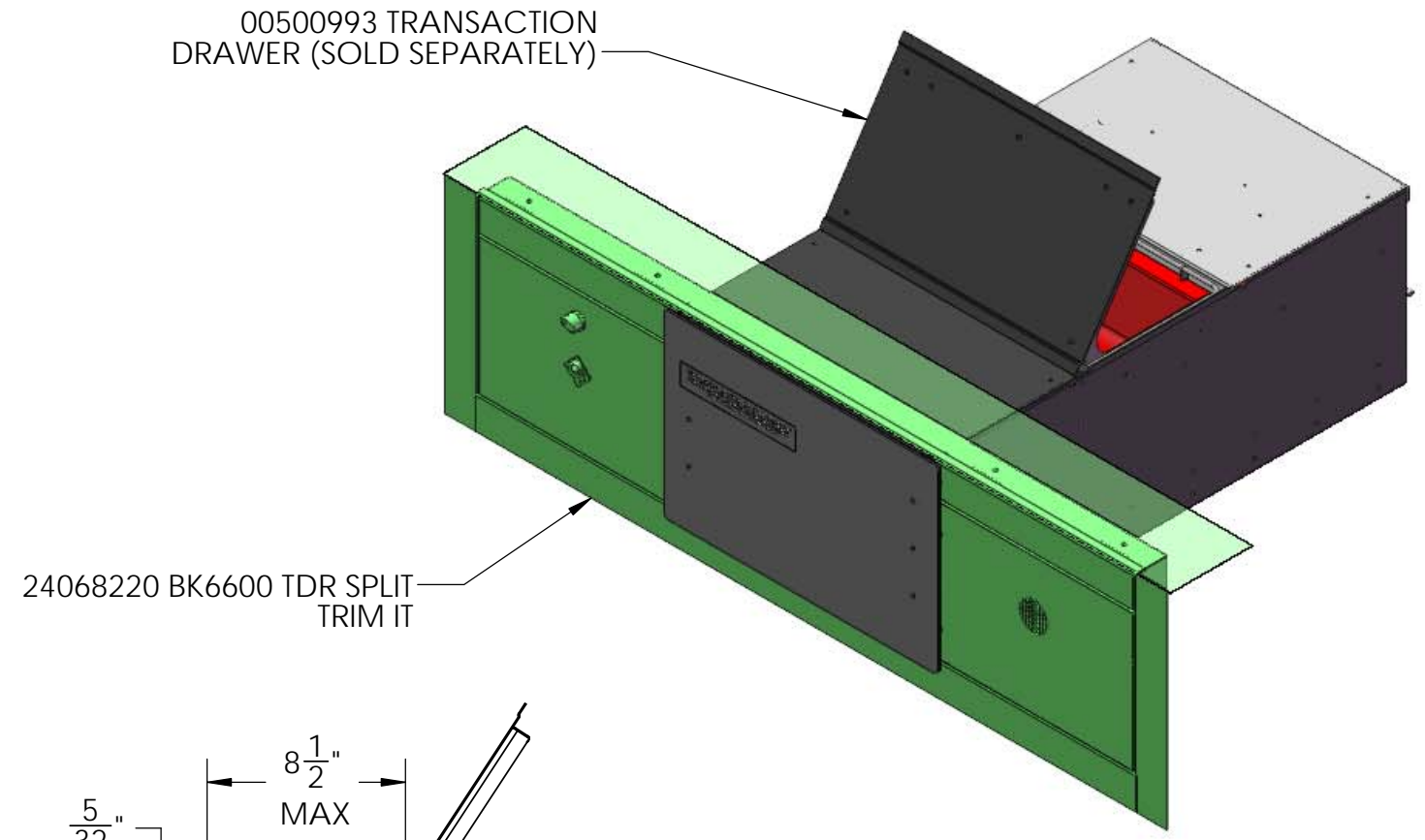
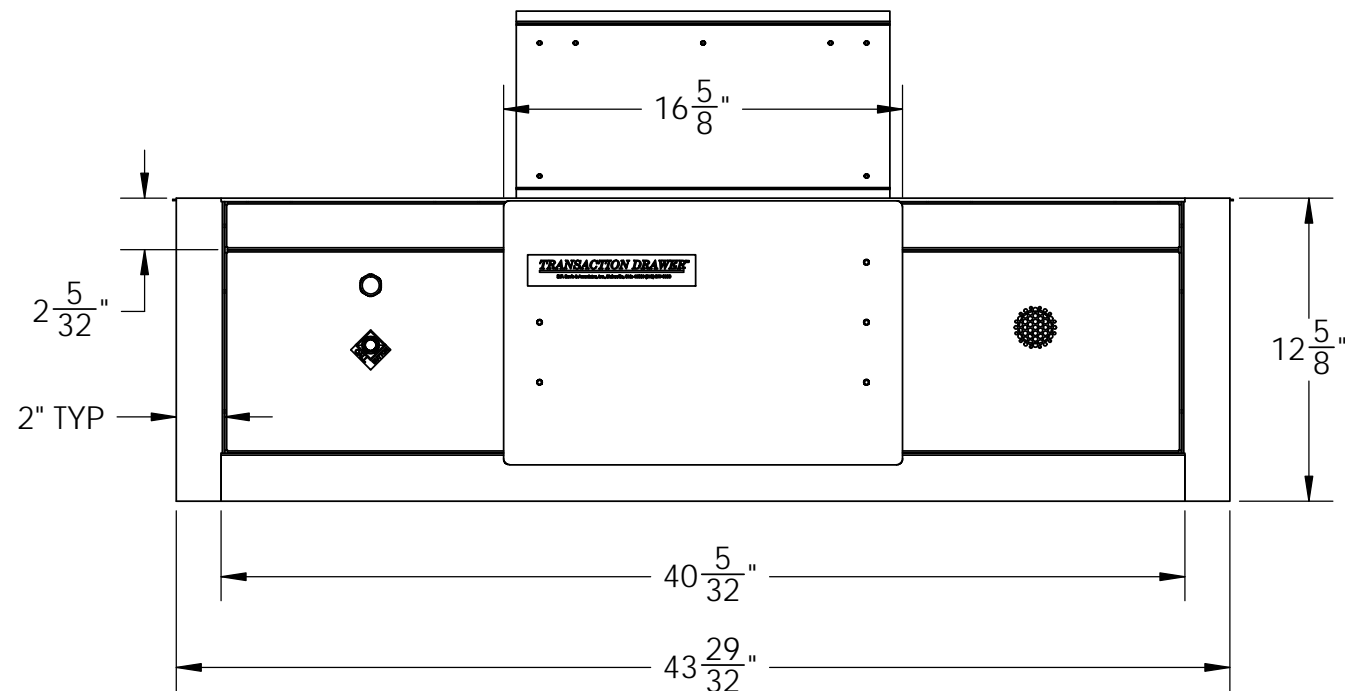
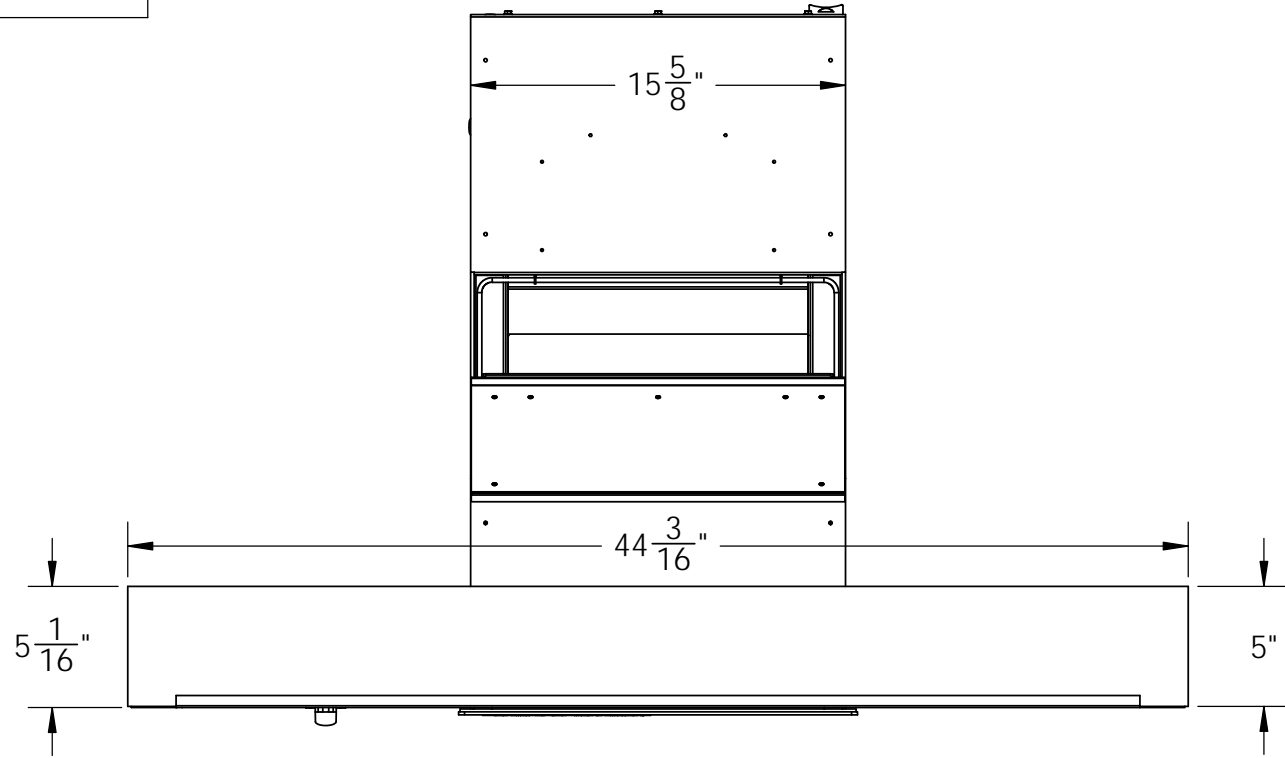
201 GRANDIN RD.
 MAINEVILLE, OH 45039
 T: 513.677.0500
 F: 513.677.0552
 WWW.BAVIS.COM

SIGNATURES		DATE	TITLE
DRAWN	MJC	10/08/14	21-7/16 X 12-11/16 AUDIO PANEL
CHECKED			
ENGR.			
DIMENSIONS ARE IN INCHES		TOLERANCE UNLESS OTHERWISE NOTED:	
UNLESS OTHERWISE SPECIFIED		DECIMAL ±	N/A
ECN		FRACTION ±	1/32
15793		ANGULAR ±	N/A

SIZE	DRAWING NO.	SHEET	OF
B	24068219	1	1

24068220


DATE	ECN	REVISION RECORD	DR	CK
01/16/19	19696	REPLACE SPEAKER & REMOVE BACKBOX	MC	DL
03/01/19	20082	REPLACE MIC NUT	MC	DM
11/09/20	21600	REPLACE 2x3 WITH 50mm SPEAKER	MC	DM



REPLACES LEFEBURE BK 6600 DRAWER IN SOME INSTALLATIONS
 MATERIAL: 18 GA. STAINLESS STEEL WITH #4 FINISH (CONTACT FACTORY FOR OTHER FINISHES).
 MODEL 00500993 TRANSACTION DRAWER WITH OPERATOR SWITCH IS NOT INCLUDED IN THIS KIT.
 ALL DIMENSIONS AND APPEARANCE ARE SUBJECT TO CHANGE WITHOUT NOTICE.

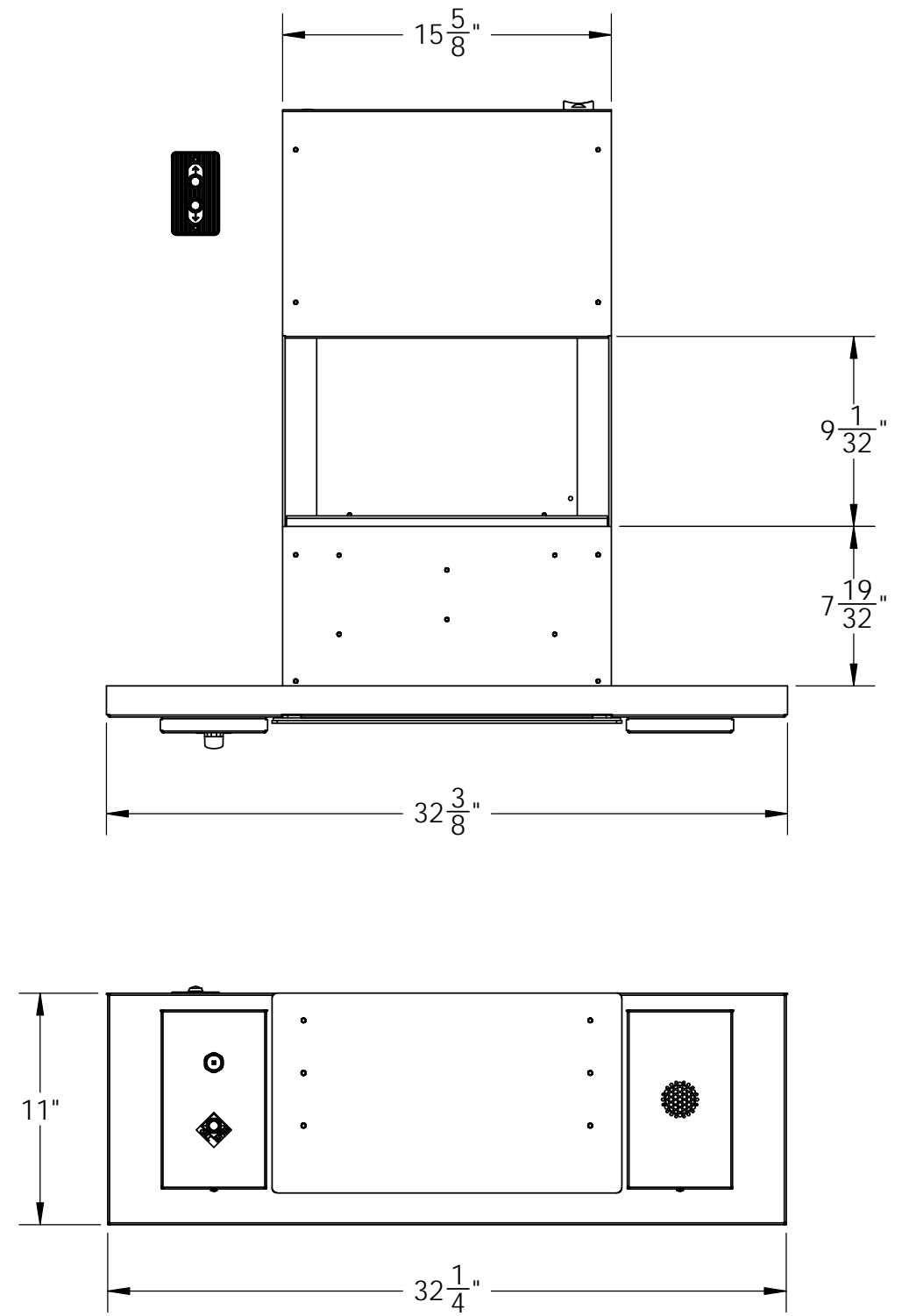
PROPRIETARY

THIS DOCUMENTATION AND INFORMATION CONTAINED ARE THE SOLE PROPERTY OF E.F.BAVIS & ASSOC., INC. IT SHALL BE RETURNED UPON REQUEST AND SHALL NOT BE REPRODUCED IN WHOLE OR IN PART, OR DISCLOSED TO ANYONE ELSE, OR USED, WITHOUT WRITTEN CONSENT OF E.F. BAVIS & ASSOC., INC.

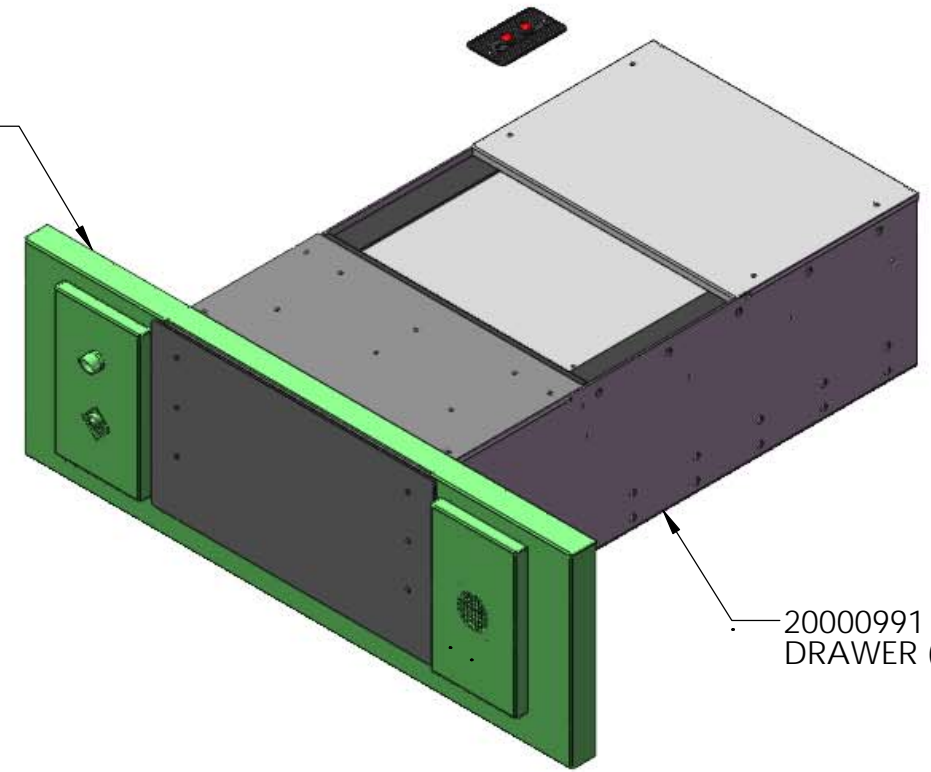


201 GRANDIN RD.
MAINEVILLE, OH 45039
T: 513.677.0500
F: 513.677.0552
WWW.BAVIS.COM

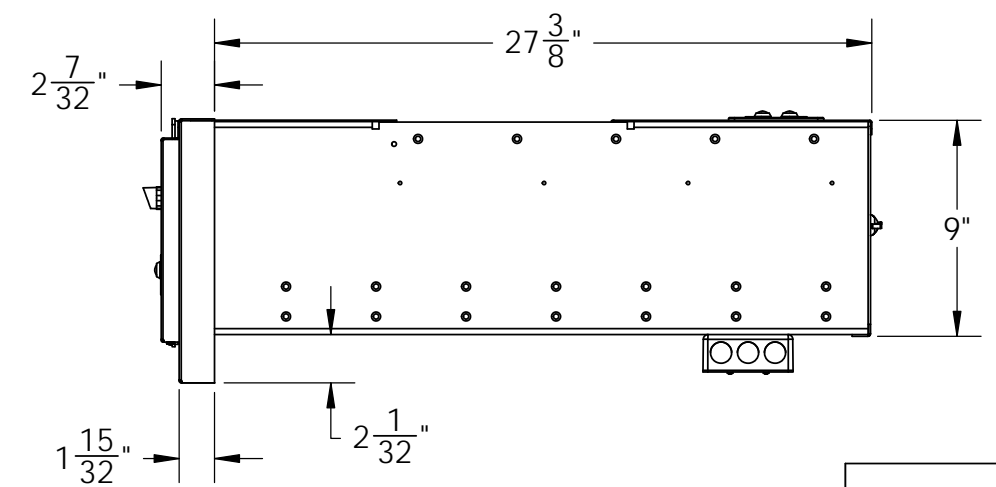
SIGNATURES		DATE	TITLE
DRAWN MJC		12/01/14	BK6600 TDR SPLIT TRIM KIT FOR SOME SITES WITH DRAWER BEHIND WINDOW TRIM
CHECKED			
ENGR.			
DIMENSIONS ARE IN INCHES		TOLERANCE UNLESS OTHERWISE NOTED:	
UNLESS OTHERWISE SPECIFIED		DECIMAL ±	N/A
		FRACTION ±	1/32
ECN 15879		ANGULAR ±	N/A
SIZE B	DRAWING NO. 24068220	SHEET 1 OF 1	Pg. 47



24068221 TDR 32-1/4X11
PANEL ASSEMBLY




20000991 SMALL TRANSACTION
DRAWER (SOLD SEPARATELY)



MATERIAL: 18 GA. STAINLESS STEEL WITH #4 FINISH (CONTACT FACTORY FOR OTHER FINISHES).
 MODEL 20000991 SMALL TRANSACTION DRAWER WITH OPERATOR SWITCH IS NOT INCLUDED IN THIS KIT
 ALL DIMENSIONS AND APPEARANCE ARE SUBJECT TO CHANGE WITHOUT NOTICE.

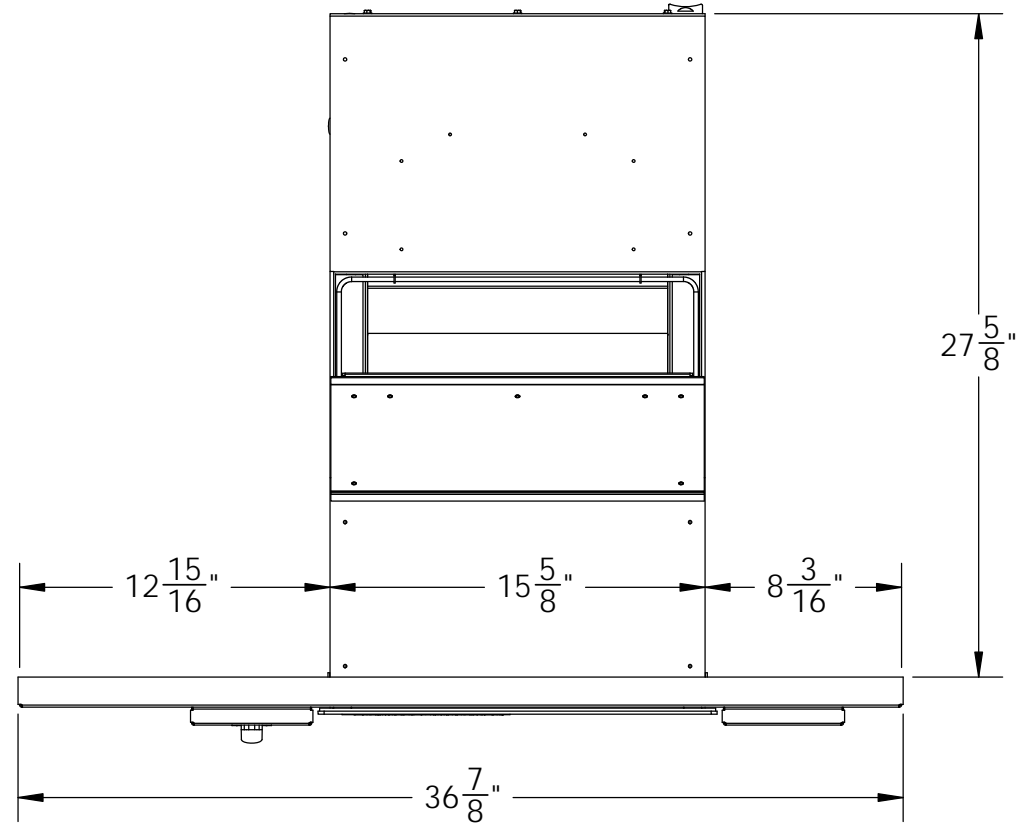
PROPRIETARY

THIS DOCUMENTATION AND INFORMATION CONTAINED ARE THE SOLE PROPERTY OF E.F.BAVIS & ASSOC., INC. IT SHALL BE RETURNED UPON REQUEST AND SHALL NOT BE REPRODUCED IN WHOLE OR IN PART, OR DISCLOSED TO ANYONE ELSE, OR USED, WITHOUT WRITTEN CONSENT OF E.F. BAVIS & ASSOC., INC.

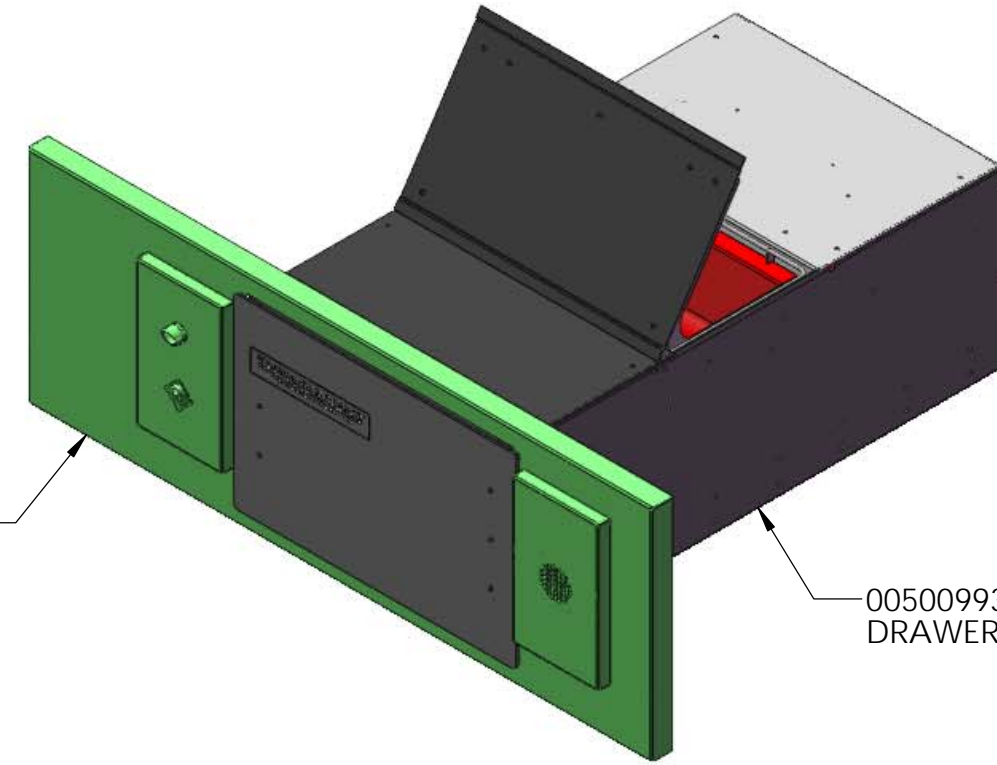


201 GRANDIN RD.
MAINEVILLE, OH 45039
T: 513.677.0500
F: 513.677.0552
WWW.BAVIS.COM

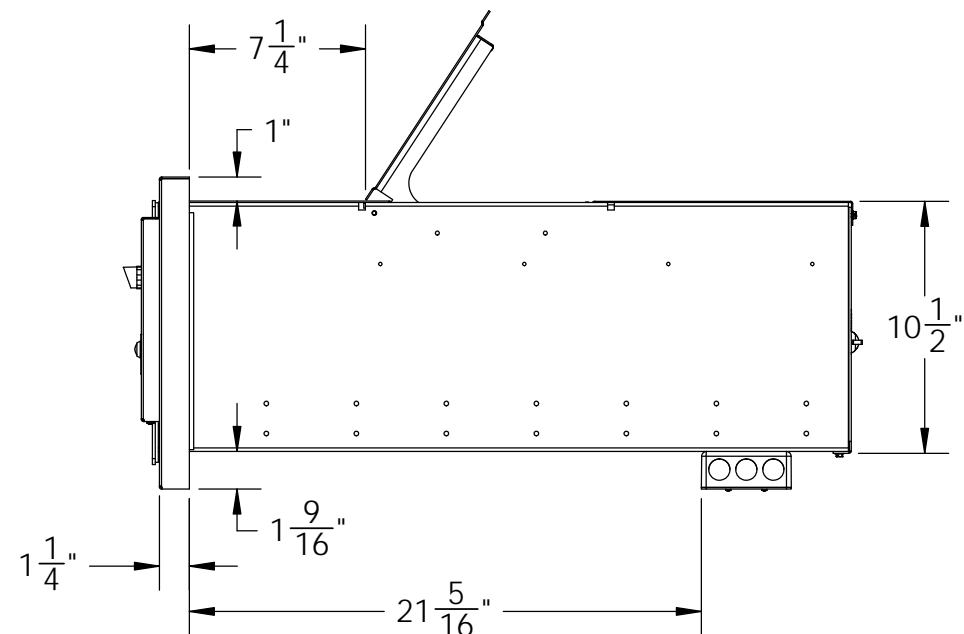
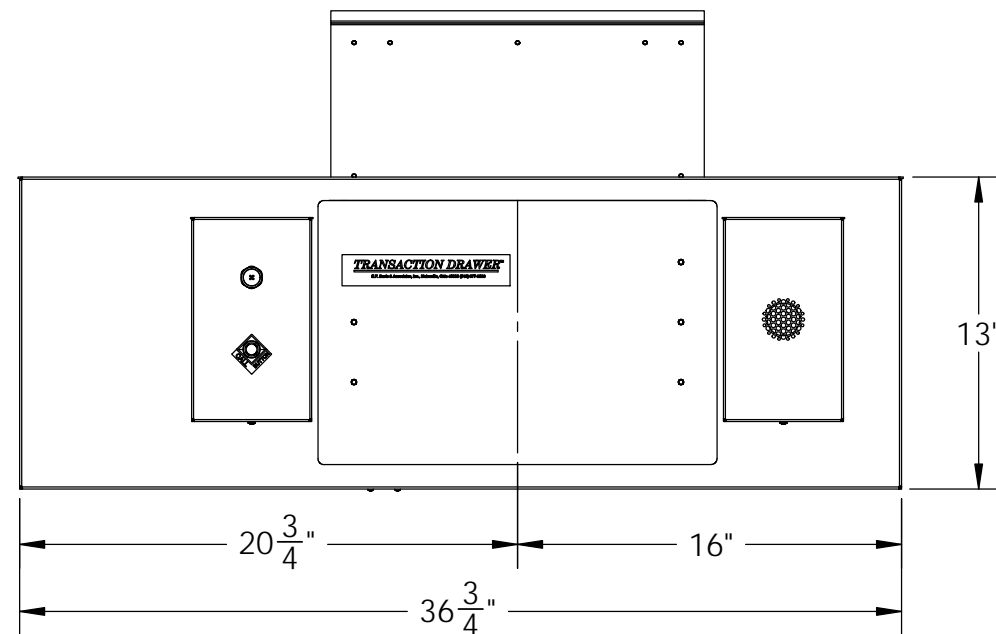
SIGNATURES	DATE	TITLE
DRAWN: MJC	01/13/15	TDR 32-1/4x11 PANEL ASSEMBLY SHOWN WITH 20000991 DRAWER
CHECKED:		
ENGR.:		
DIMENSIONS ARE IN INCHES		TOLERANCE UNLESS OTHERWISE NOTED:
UNLESS OTHERWISE SPECIFIED		DECIMAL ± N/A
ECN: 16020		FRACTION ± 1/32
		ANGULAR ± N/A
SIZE: B	DRAWING NO.: 24068221	SHEET 1 OF 1



24068222 MOSLER
TDR 36-3/4 WIDE ASSY




00500993 TRANSACTION
DRAWER (SOLD SEPARATELY)



MATERIAL: 18 GA. STAINLESS STEEL WITH #4 FINISH (CONTACT FACTORY FOR OTHER FINISHES).
 MODEL 00500993 TRANSACTION DRAWER WITH OPERATOR SWITCH IS NOT INCLUDED IN THIS KIT.
 ALL DIMENSIONS AND APPEARANCE ARE SUBJECT TO CHANGE WITHOUT NOTICE.

PROPRIETARY

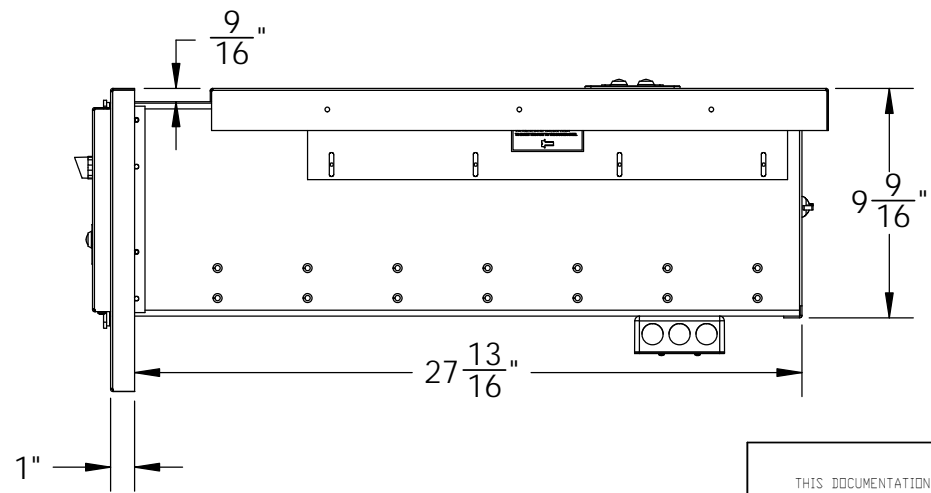
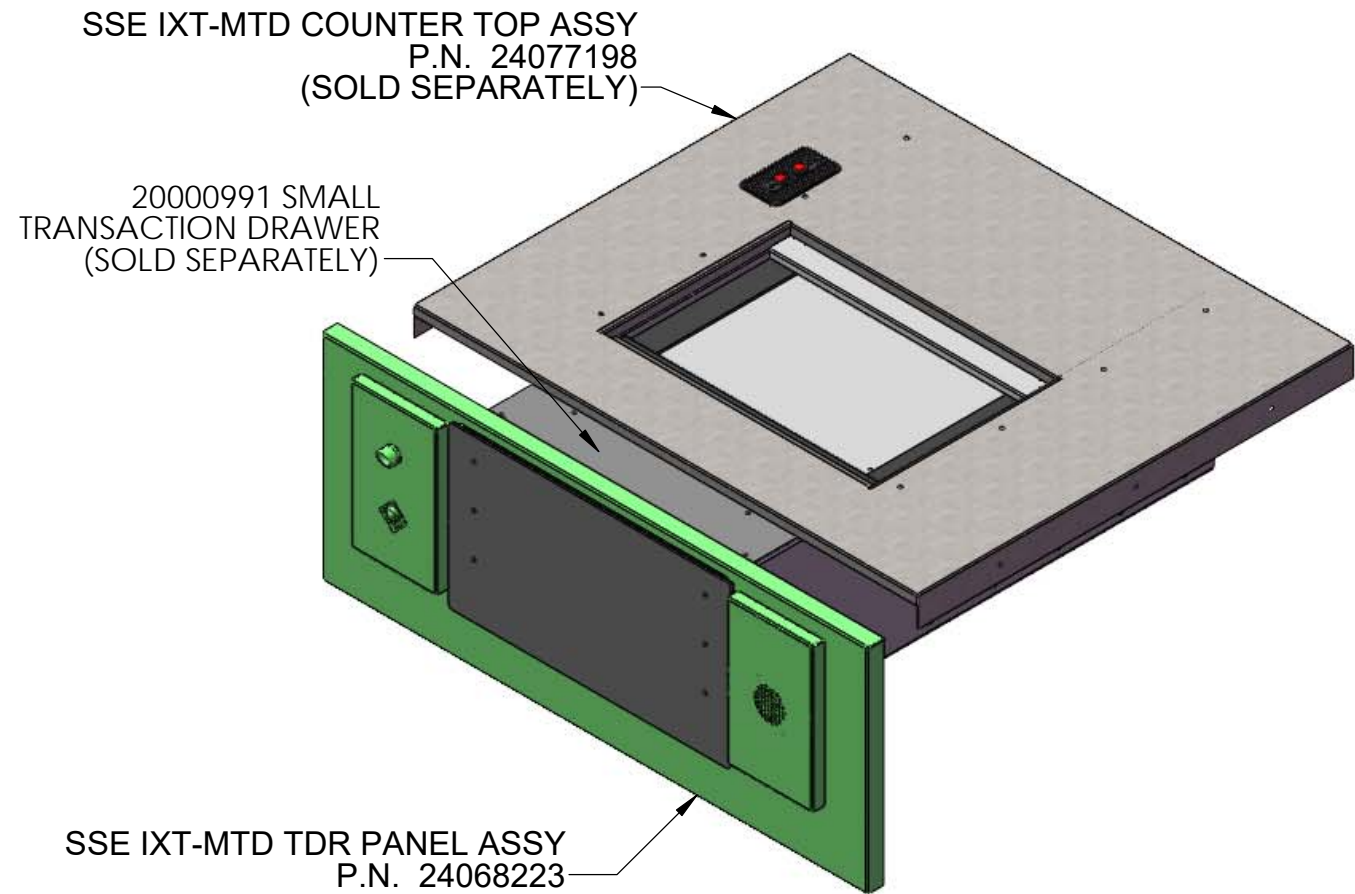
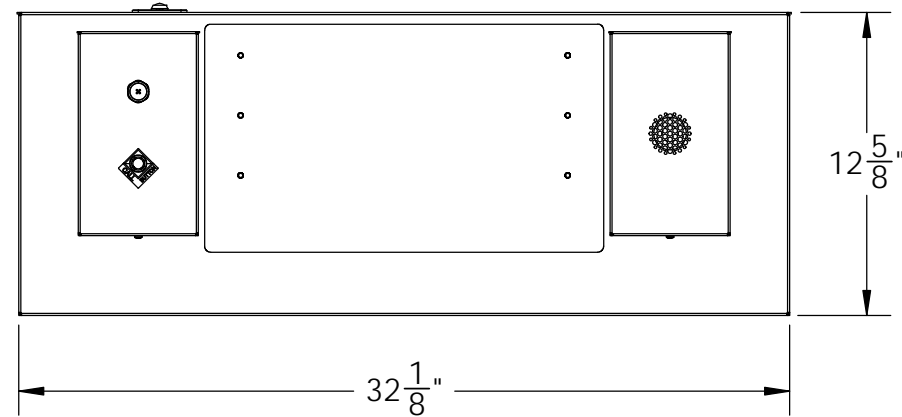
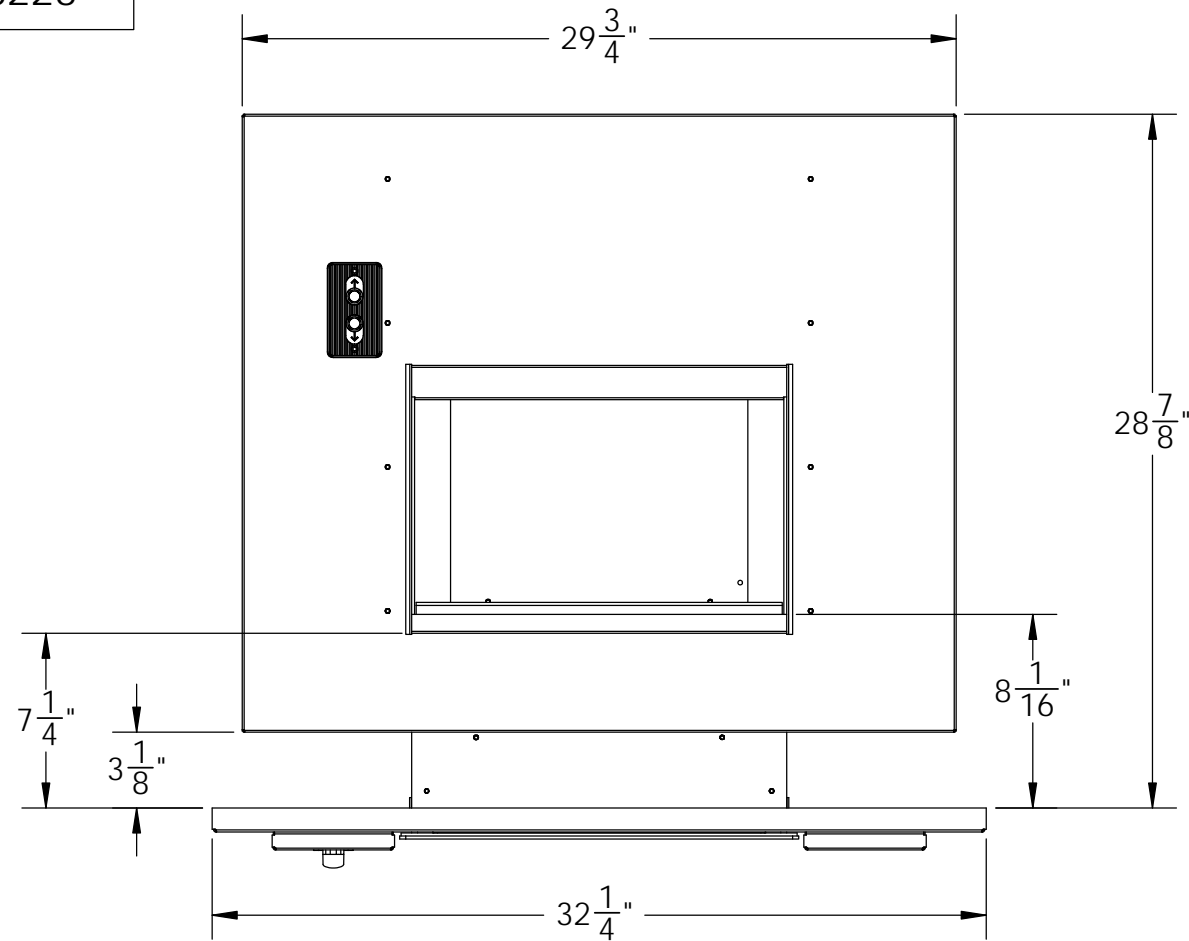
THIS DOCUMENTATION AND INFORMATION CONTAINED ARE THE SOLE PROPERTY OF E.F. BAVIS & ASSOC., INC. IT SHALL BE RETURNED UPON REQUEST AND SHALL NOT BE REPRODUCED IN WHOLE OR IN PART, OR DISCLOSED TO ANYONE ELSE, OR USED, WITHOUT WRITTEN CONSENT OF E.F. BAVIS & ASSOC., INC.



201 GRANDIN RD.
MAINEVILLE, OH 45039
T: 513.677.0500
F: 513.677.0552
WWW.BAVIS.COM

SIGNATURES		DATE	TITLE
DRAWN MJC		06/26/15	MOSLER TDR 36-3/4 WIDE ASSY USE WITH TD
CHECKED			
ENGR.			
DIMENSIONS ARE IN INCHES	TOLERANCE UNLESS OTHERWISE NOTED:		
UNLESS OTHERWISE SPECIFIED	DECIMAL ±	N/A	
ECN	FRACTION ±	1/32	
16548	ANGULAR ±	N/A	


SIZE	DRAWING NO.	SHEET	OF
B	24068222	1	1



MATERIAL: 18 GA. STAINLESS STEEL WITH #4 FINISH (CONTACT FACTORY FOR OTHER FINISHES).
 MODEL 20000991 SMALL TRANSACTION DRAWER WITH OPERATOR SWITCH IS NOT INCLUDED IN THIS KIT.
 PART NUMBER 24077198 SSE IXT-MTD COUNTER TOP ASSY SOLD SEPARATELY.
 ALL DIMENSIONS AND APPEARANCE ARE SUBJECT TO CHANGE WITHOUT NOTICE.

PROPRIETARY

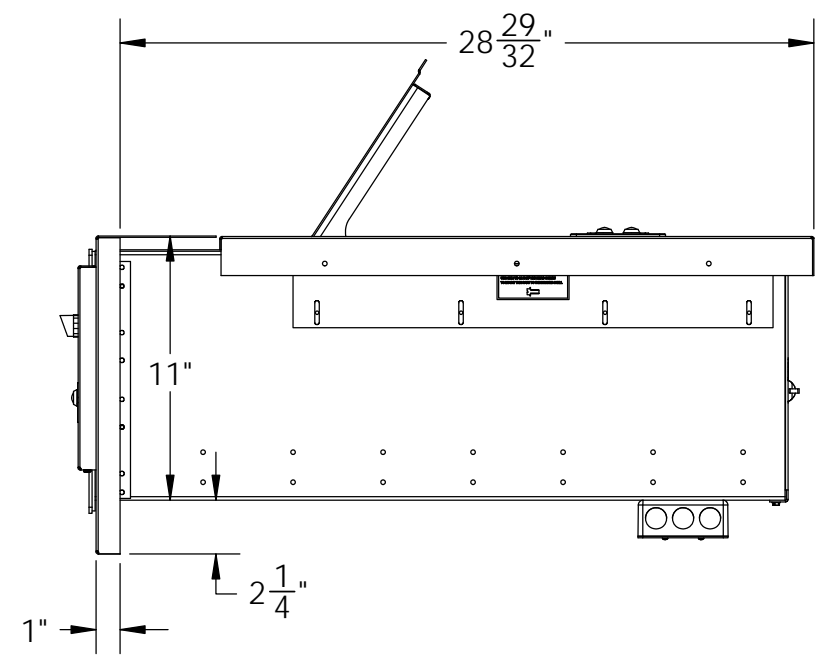
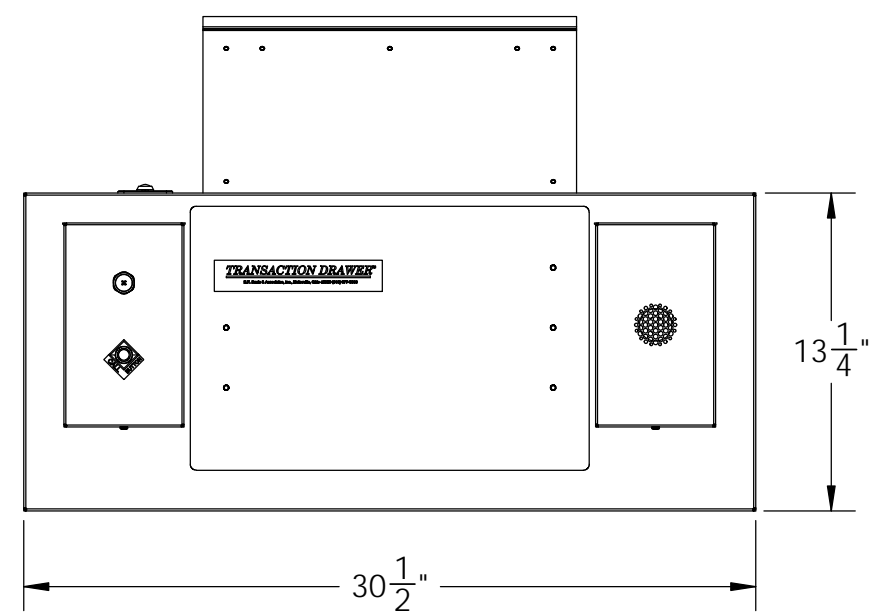
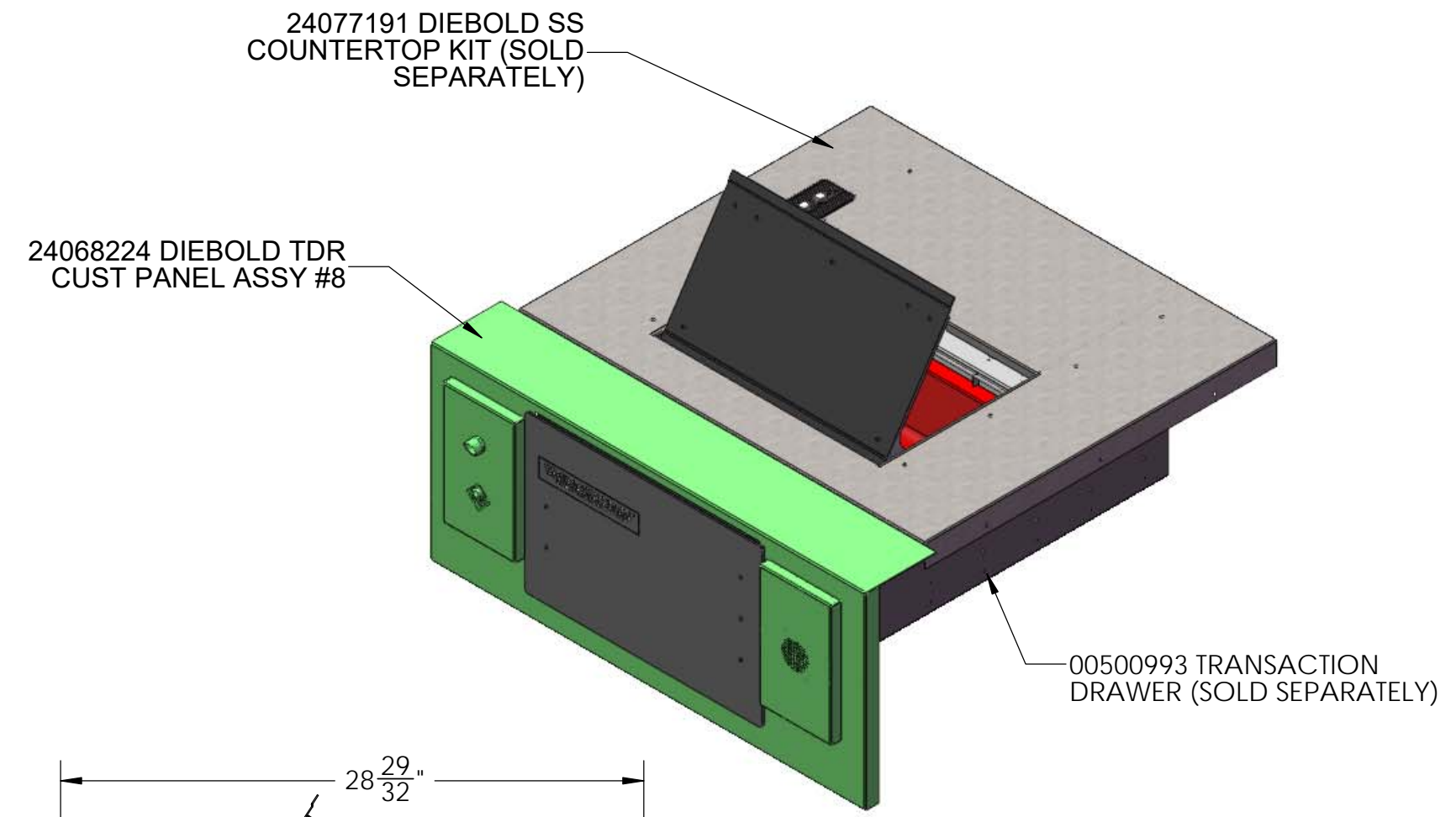
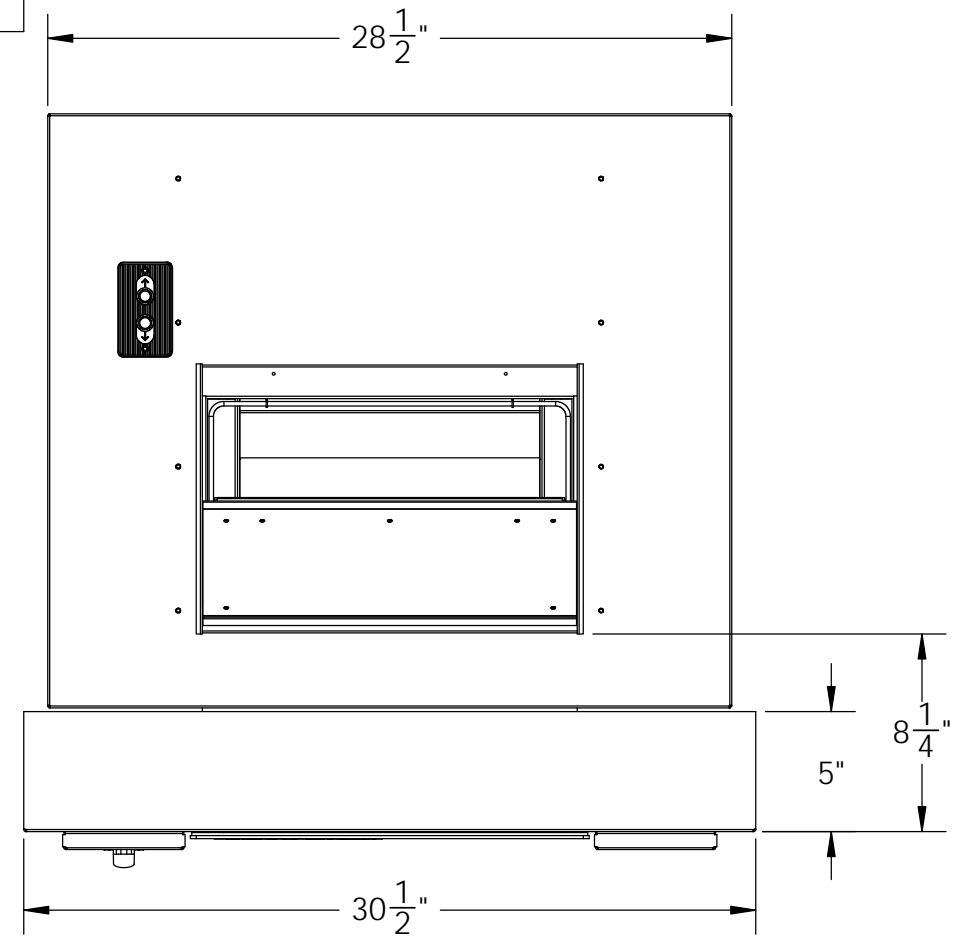
THIS DOCUMENTATION AND INFORMATION CONTAINED ARE THE SOLE PROPERTY OF E.F.BAVIS & ASSOC., INC. IT SHALL BE RETURNED UPON REQUEST AND SHALL NOT BE REPRODUCED IN WHOLE OR IN PART, OR DISCLOSED TO ANYONE ELSE, OR USED, WITHOUT WRITTEN CONSENT OF E.F. BAVIS & ASSOC., INC.



201 GRANDIN RD.
 MAINEVILLE, OH 45039
 T: 513.677.0500
 F: 513.677.0552
 WWW.BAVIS.COM

SIGNATURES		DATE	TITLE
DRAWN MJC		08/18/15	SSE IXT-MTD TDR PANEL ASSY
CHECKED			
ENGR.			
DIMENSIONS ARE IN INCHES		TOLERANCE UNLESS OTHERWISE NOTED:	
UNLESS OTHERWISE SPECIFIED		DECIMAL ±	N/A
ECN		FRACTION ±	1/32
16736	ANGULAR ±	N/A	


SIZE	DRAWING NO.	SHEET	OF
B	24068223	1	1



MATERIAL: 18 GA. STAINLESS STEEL WITH #4 FINISH (CONTACT FACTORY FOR OTHER FINISHES).
 SPECIFY ON P.O. WHICH MIC & SPEAKER CONFIGURATION IS NEEDED
 MODEL 00500993 TRANSACTION DRAWER WITH OPERATOR SWITCH IS NOT INCLUDED IN THIS KIT.
 P/N 24077191 DIEBOLD SS COUNTERTOP KIT IS NOT INCLUDED IN THIS KIT.
 ALL DIMENSIONS AND APPEARANCE ARE SUBJECT TO CHANGE WITHOUT NOTICE.

PROPRIETARY

THIS DOCUMENTATION AND INFORMATION CONTAINED ARE THE SOLE PROPERTY OF E.F.BAVIS & ASSOC., INC. IT SHALL BE RETURNED UPON REQUEST AND SHALL NOT BE REPRODUCED IN WHOLE OR IN PART, OR DISCLOSED TO ANYONE ELSE, OR USED, WITHOUT WRITTEN CONSENT OF E.F. BAVIS & ASSOC., INC.

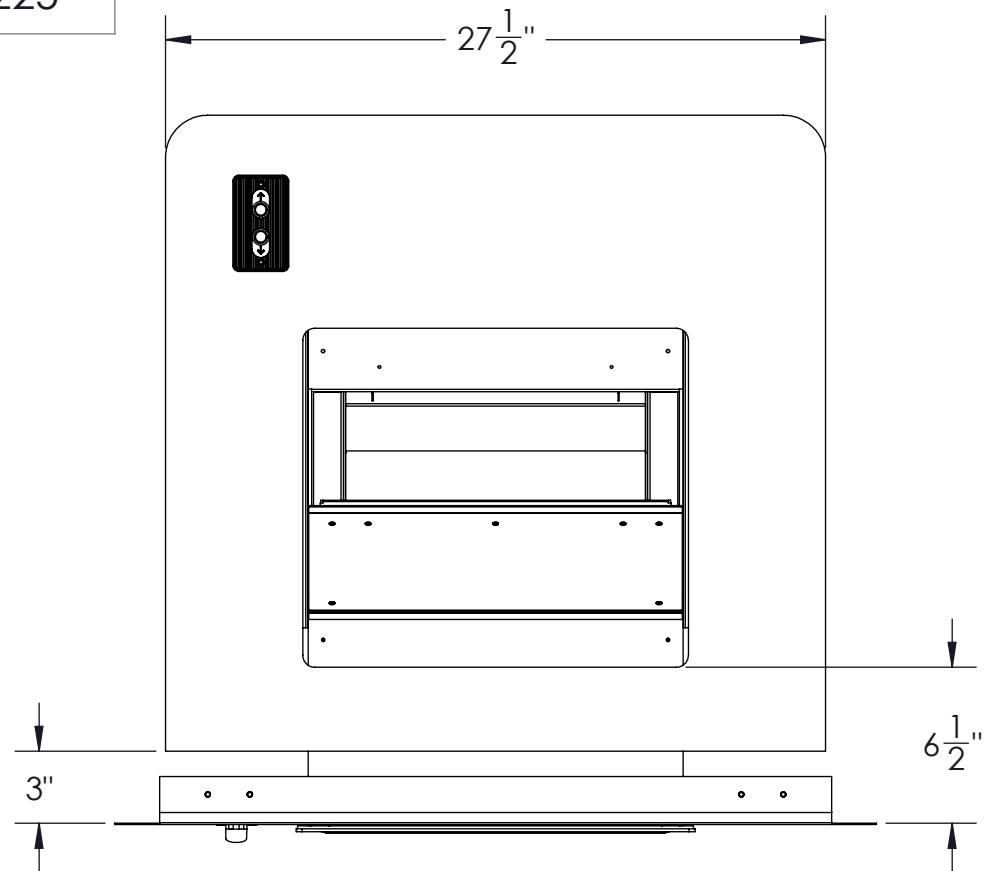


201 GRANDIN RD.
 MAINEVILLE, OH 45039
 T: 513.677.0500
 F: 513.677.0552
 WWW.BAVIS.COM

SIGNATURES		DATE	TITLE
DRAWN MJC		11/12/15	DIEBOLD TDR CUST PANEL ASSY #8 with POWERED DRAWER & COUNTERTOP
CHECKED			
ENGR.			
DIMENSIONS ARE IN INCHES	TOLERANCE UNLESS OTHERWISE NOTED:		
UNLESS OTHERWISE SPECIFIED	DECIMAL ±	N/A	
	FRACTION ±	1/32	
ECN XXXX	ANGULAR ±	N/A	

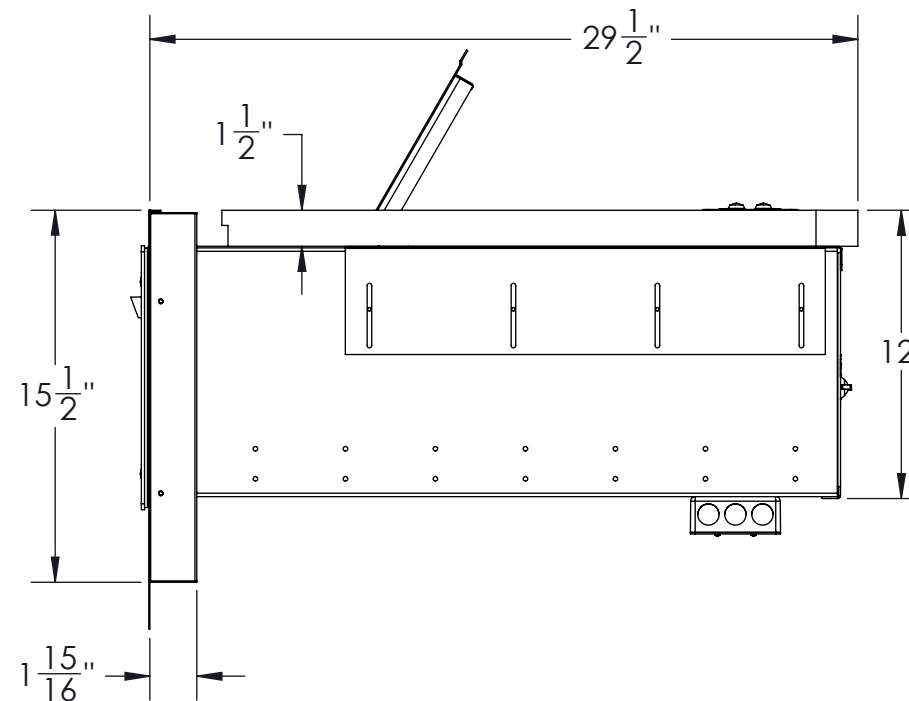
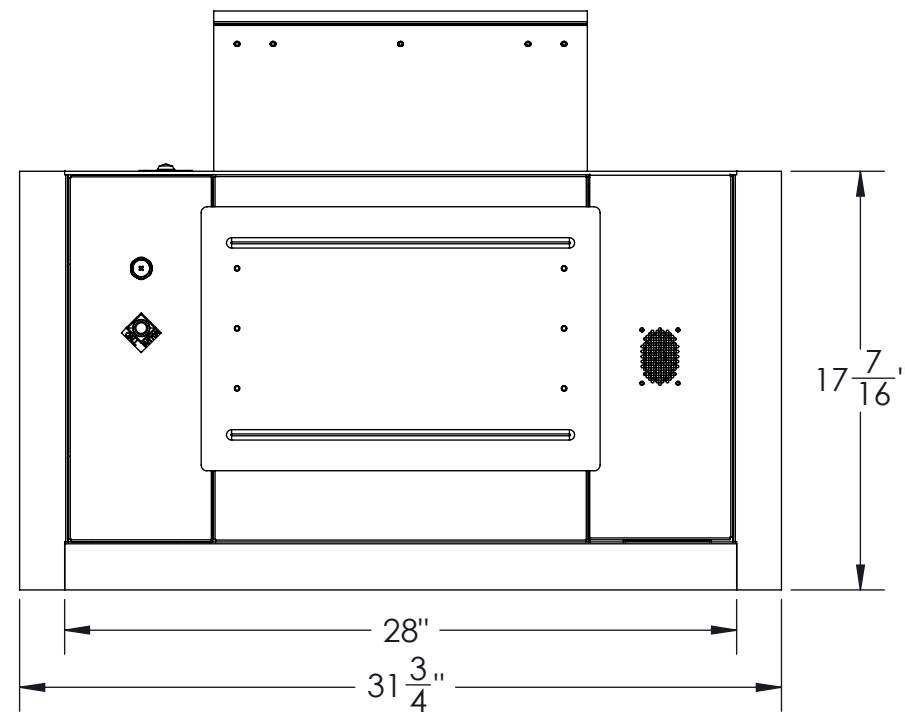
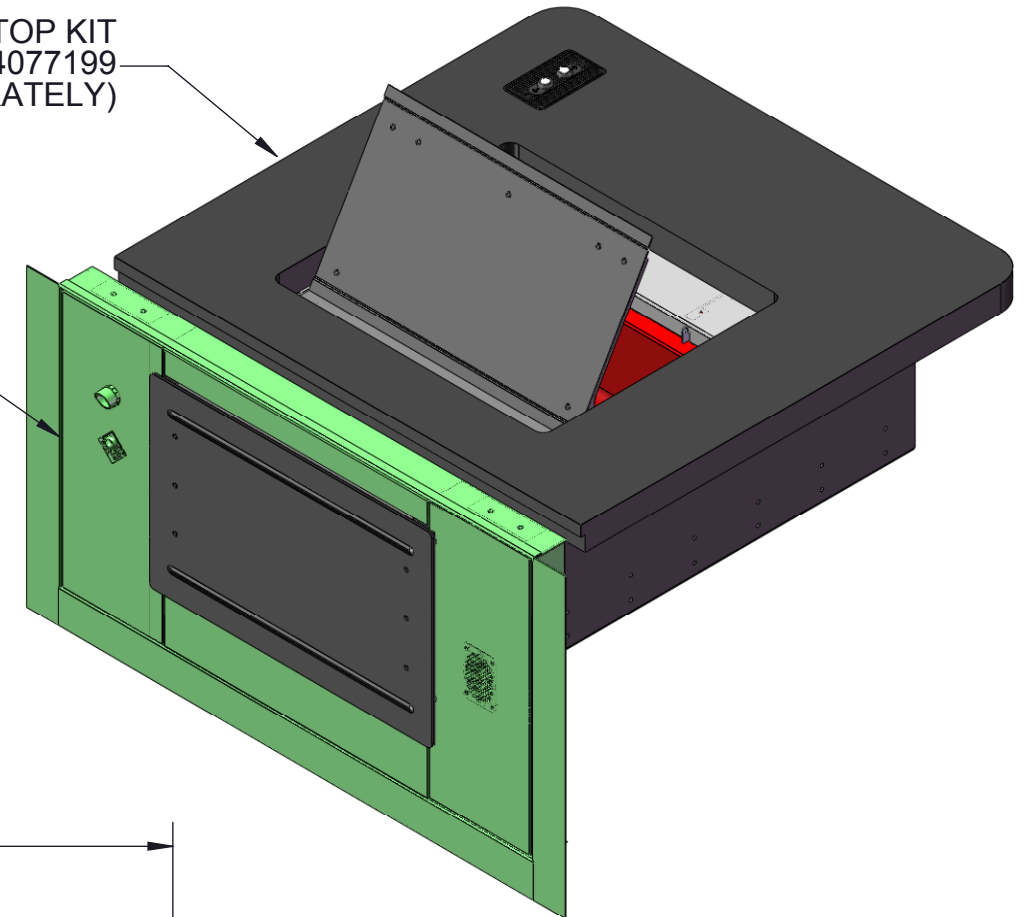
SIZE B	DRAWING NO. 24068224	SHEET 1 OF 1
--------	----------------------	--------------

24068225



QUICKSERV COUNTERTOP KIT
P.N. 24077199
(SOLD SEPARATELY)


QUICKSERV TDR CUSTOMER PANEL
P.N. 24068225



MATERIAL: 18 GA. STAINLESS STEEL WITH #4 FINISH (CONTACT FACTORY FOR OTHER FINISHES).

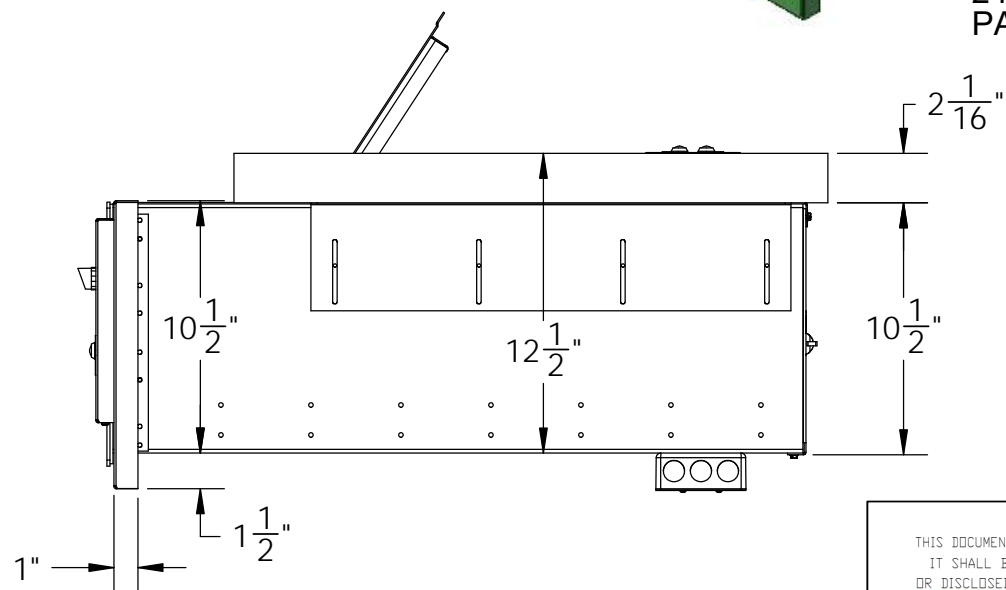
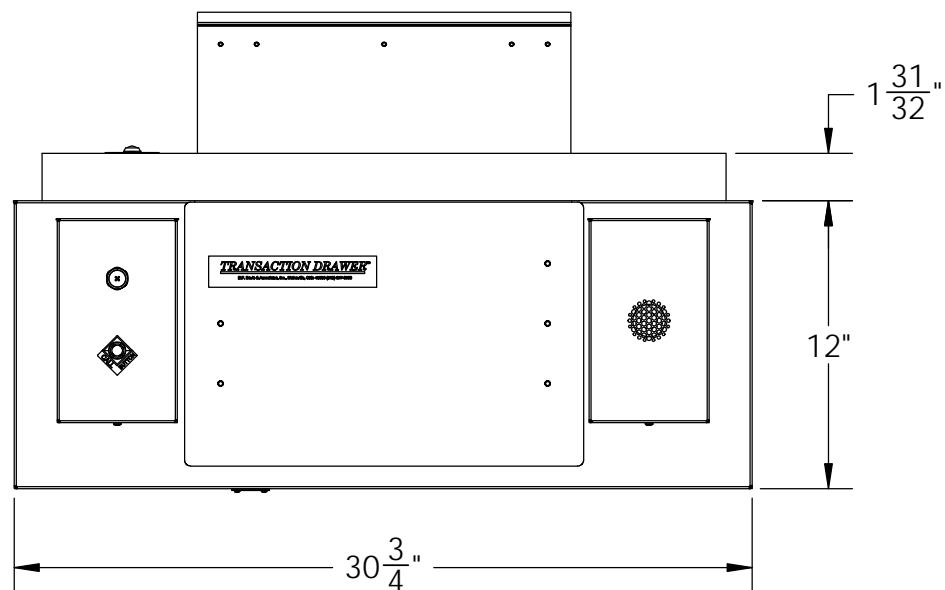
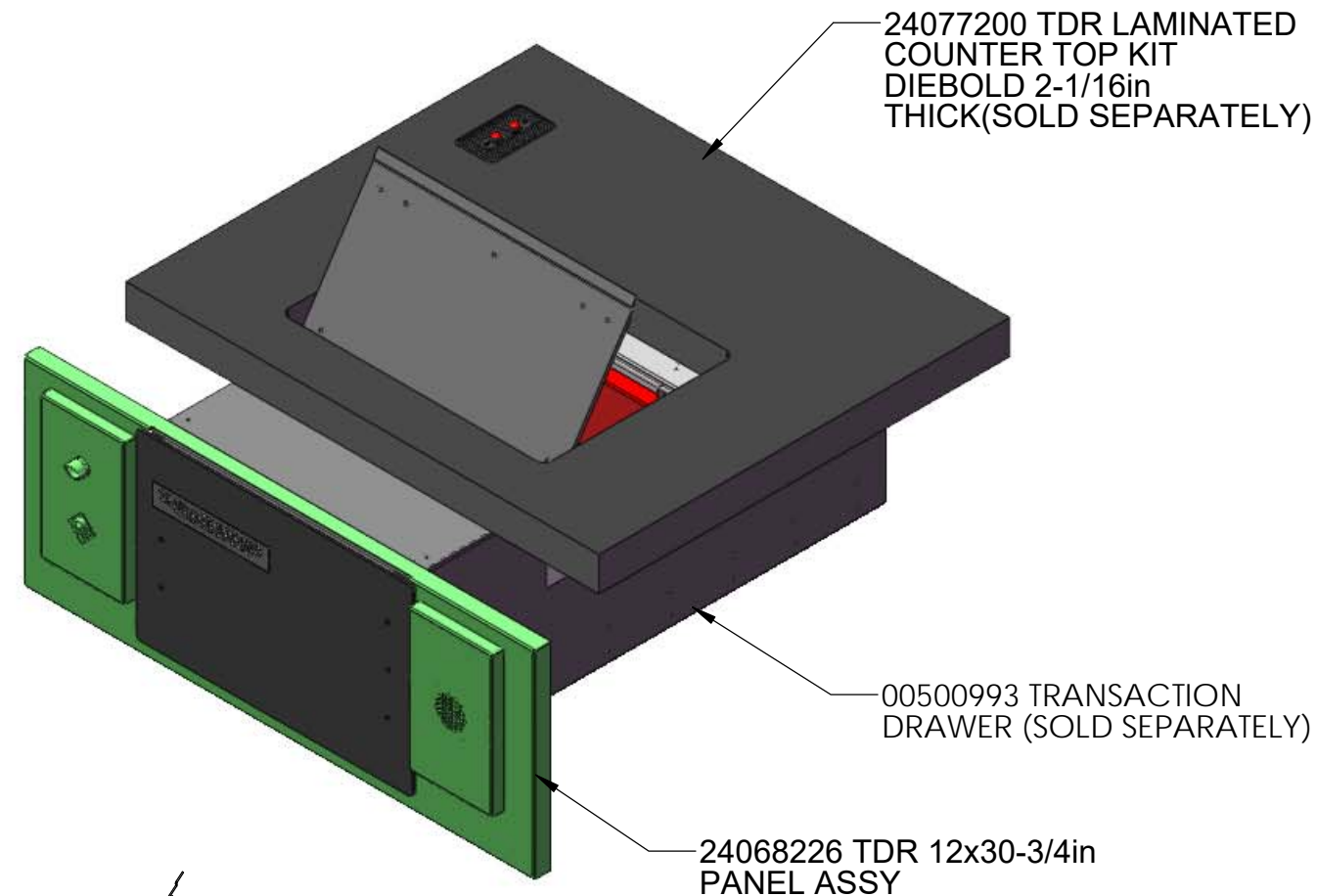
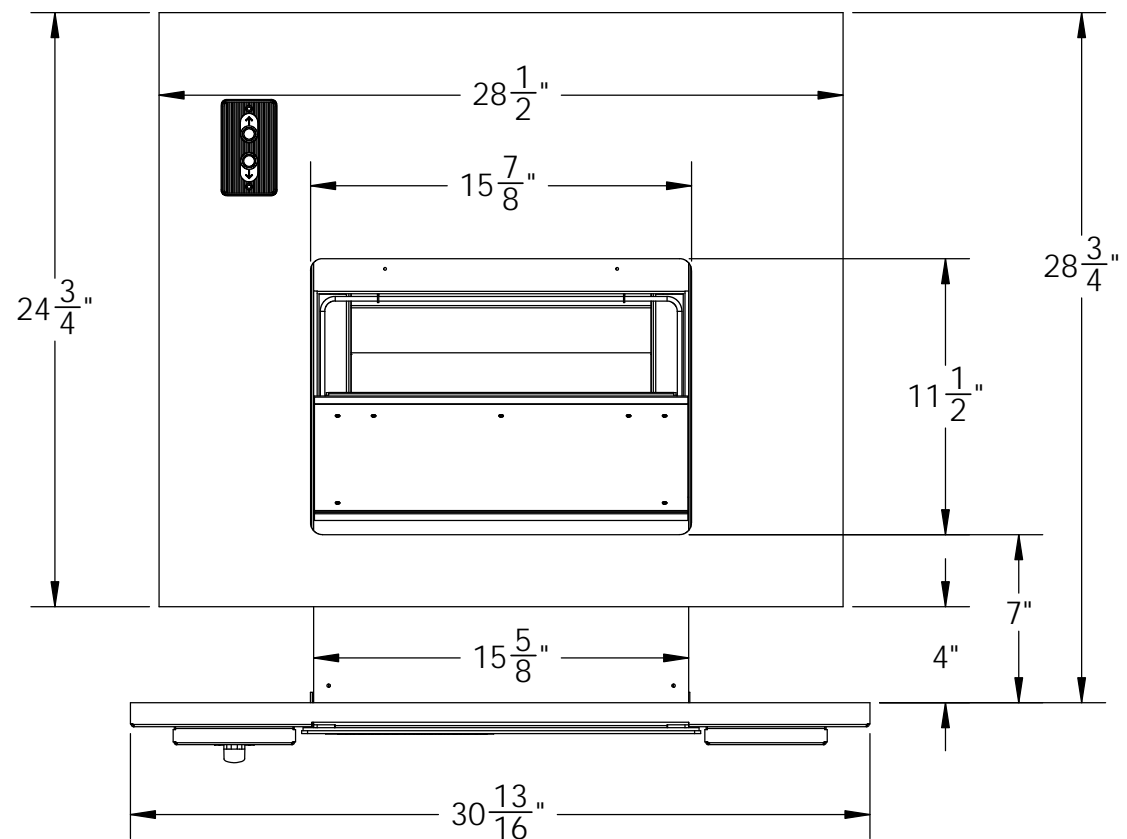
PROPRIETARY

THIS DOCUMENTATION AND INFORMATION CONTAINED ARE THE SOLE PROPERTY OF E.F. BAVIS & ASSOC., INC. IT SHALL BE RETURNED UPON REQUEST AND SHALL NOT BE REPRODUCED IN WHOLE OR IN PART, OR DISCLOSED TO ANYONE ELSE, OR USED, WITHOUT WRITTEN CONSENT OF E.F. BAVIS & ASSOC., INC.



201 GRANDIN RD.
MAINEVILLE, OH 45039
T: 513.677.0500
F: 513.677.0552
WWW.BAVIS.COM


SIGNATURES	DATE	TITLE	<p>QUICKSERV TDR PANEL</p> <p>W/TD & COUNTERTOP</p>
DRAWN: MJC	11/20/15		
CHECKED:			
ENGR.:			
DIMENSIONS ARE IN INCHES		TOLERANCE UNLESS OTHERWISE NOTED:	
UNLESS OTHERWISE SPECIFIED		DECIMAL ±	N/A
ECN		FRACTION ±	1/32
16983		ANGULAR ±	N/A
SIZE: B		DRAWING NO.:	24068225
		SHEET	1
		OF	1



MATERIAL: 18 GA. STAINLESS STEEL WITH #4 FINISH (CONTACT FACTORY FOR OTHER FINISHES).
 MODEL 00500993 TRANSACTION DRAWER WITH OPERATOR SWITCH IS NOT INCLUDED IN THIS KIT.
 TDR LAMINATED COUNERTOP, (P.N. 24077200), IS NOT INCLUDED IN THIS KIT.
 ALL DIMENSIONS AND APPEARANCE ARE SUBJECT TO CHANGE WITHOUT NOTICE.

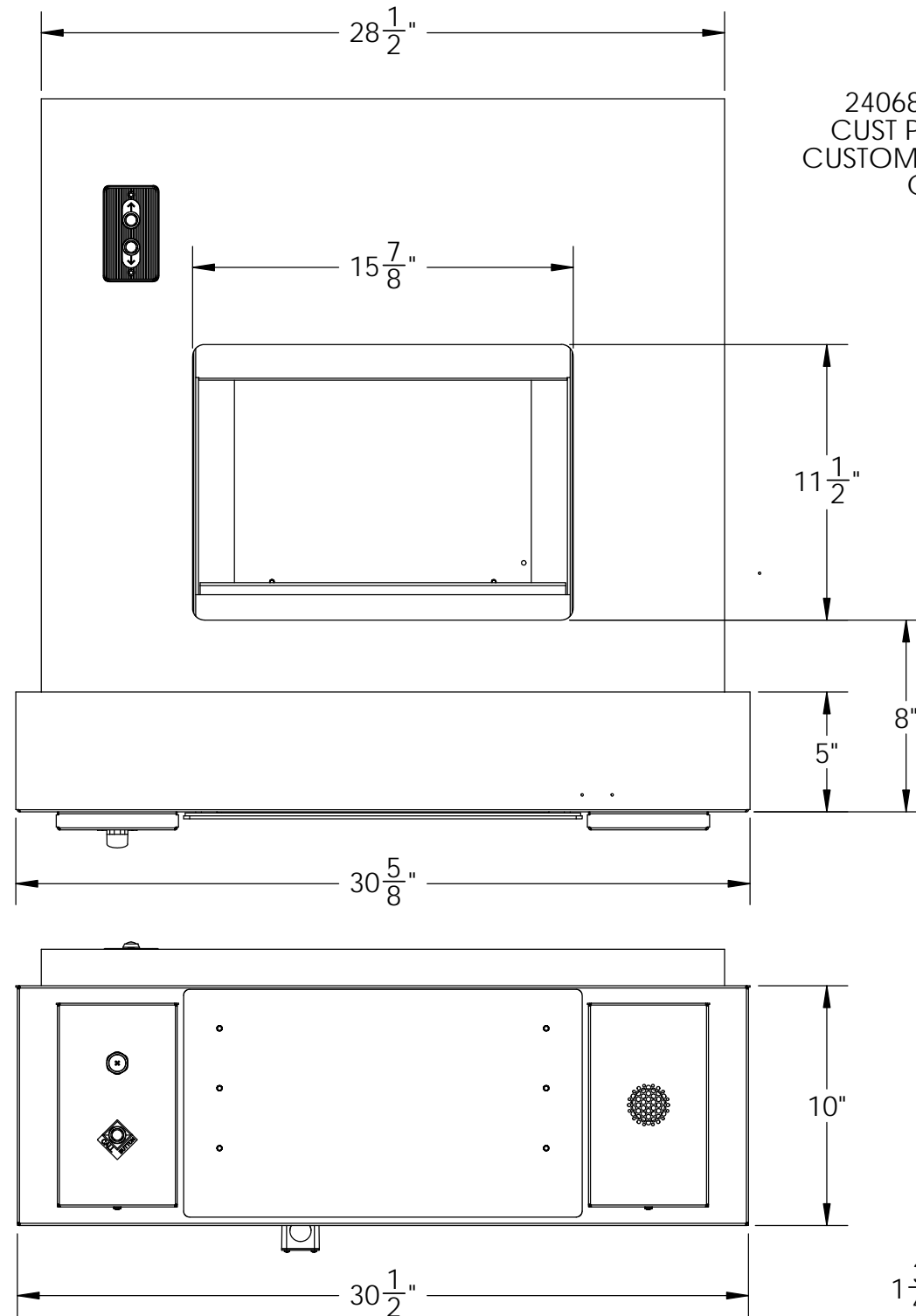
PROPRIETARY

THIS DOCUMENTATION AND INFORMATION CONTAINED ARE THE SOLE PROPERTY OF E.F.BAVIS & ASSOC., INC. IT SHALL BE RETURNED UPON REQUEST AND SHALL NOT BE REPRODUCED IN WHOLE OR IN PART, OR DISCLOSED TO ANYONE ELSE, OR USED, WITHOUT WRITTEN CONSENT OF E.F. BAVIS & ASSOC., INC.

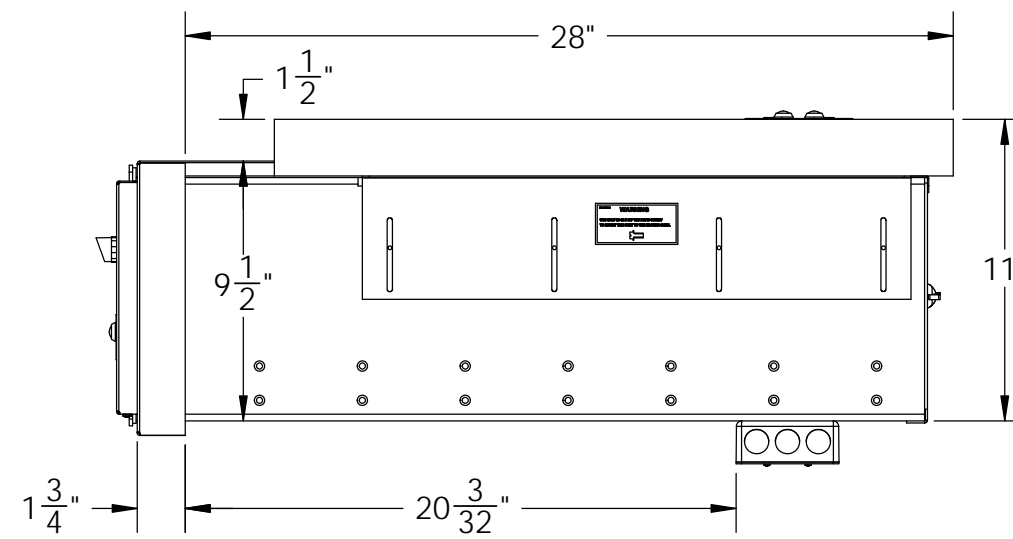
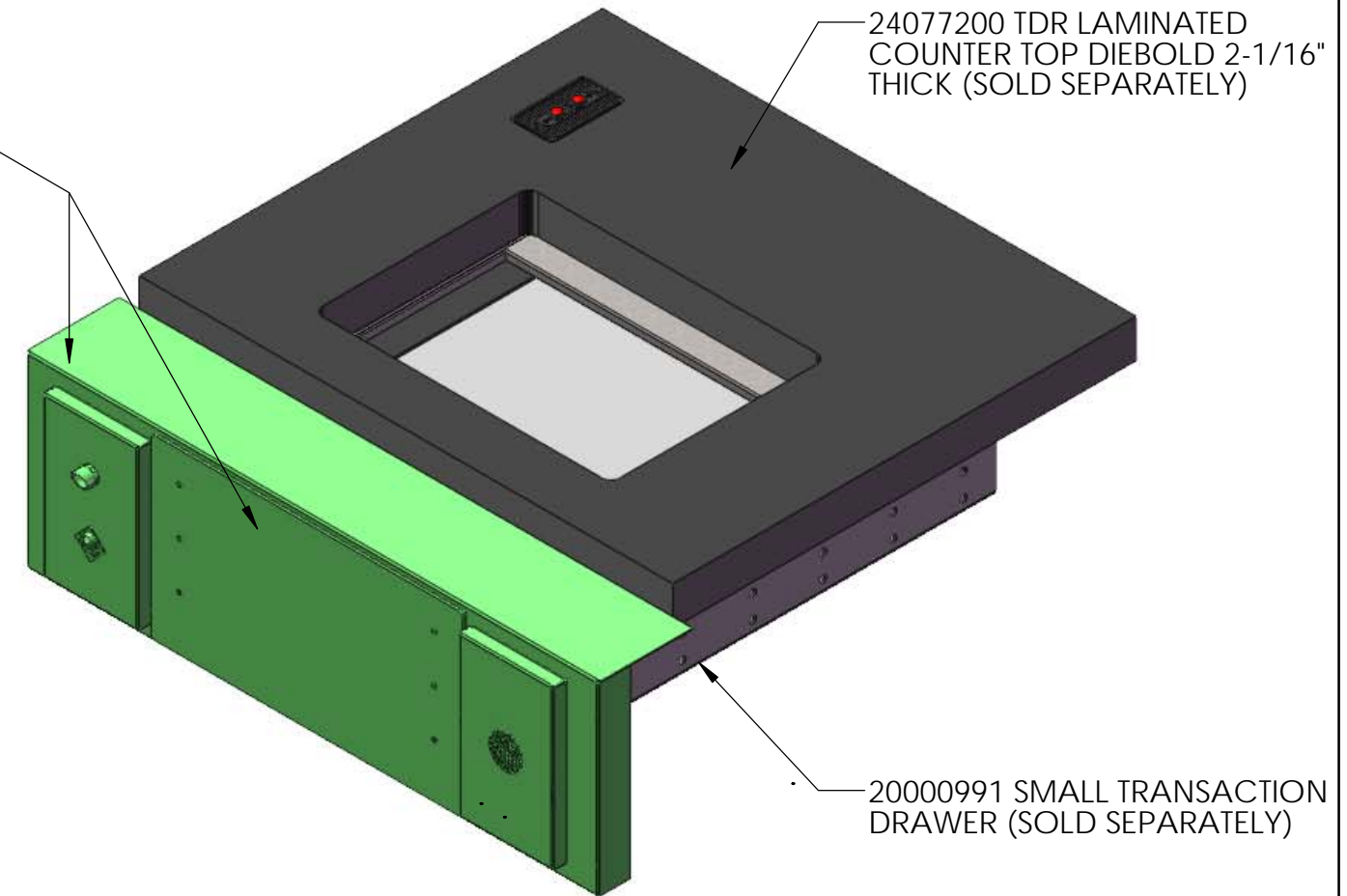


201 GRANDIN RD.
 MAINEVILLE, OH 45039
 T: 513.677.0500
 F: 513.677.0552
 WWW.BAVIS.COM

SIGNATURES	DATE	TITLE
DRAWN: MJC	07/22/16	TDR 12x30-3/4in PANEL ASSY
CHECKED:		
ENGR.:		
DIMENSIONS ARE IN INCHES UNLESS OTHERWISE SPECIFIED	TOLERANCE UNLESS OTHERWISE NOTED: DECIMAL ± N/A FRACTION ± 1/32 ANGULAR ± N/A	SIZE: B DRAWING NO. 24068226 SHEET 1 OF 1



24068227 DIEBOLD TDR CUST PANEL ASSY 9 with CUSTOM BLACK TEXTURED CUSTOMER DOOR



REPLACES SOME DIEBOLD SERIES DRAWER

MATERIAL: 18 GA. STAINLESS STEEL WITH #4 FINISH (CONTACT FACTORY FOR OTHER FINISHES).

MODEL 20000991 SMALL TRANSACTION DRAWER WITH OPERATOR SWITCH IS NOT INCLUDED IN THIS KIT.

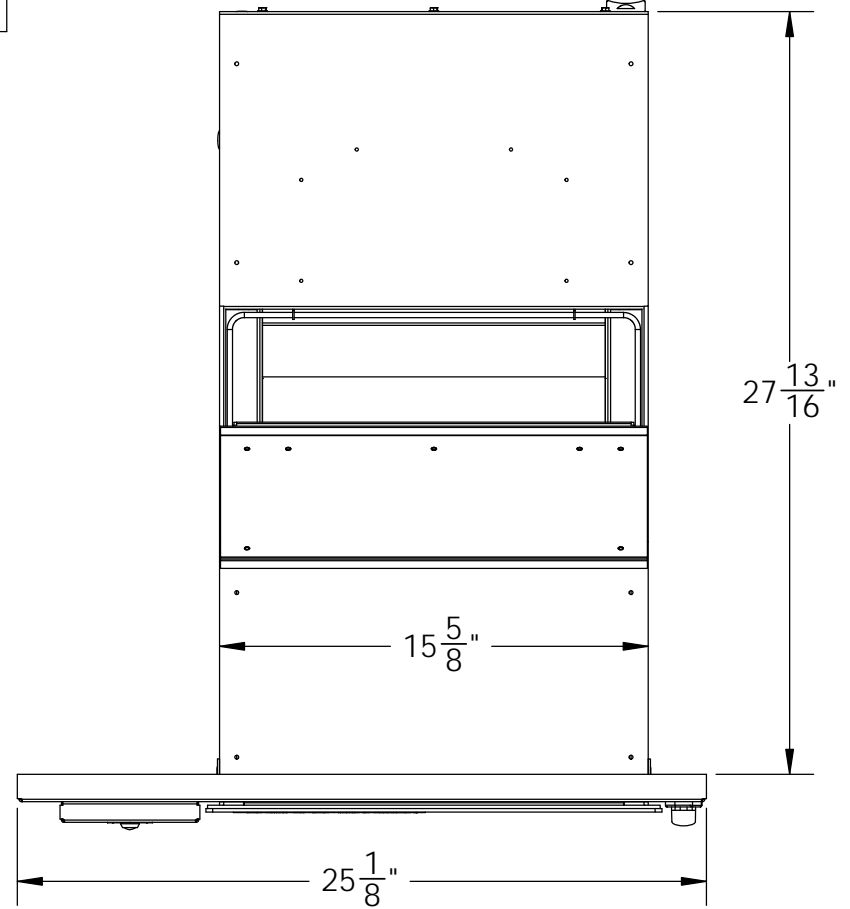
P.N. 24077200 LAMINATED COUNTER TOP IS NOT INCLUDED IN THIS KIT.

ALL DIMENSIONS AND APPEARANCE ARE SUBJECT TO CHANGE WITHOUT NOTICE.

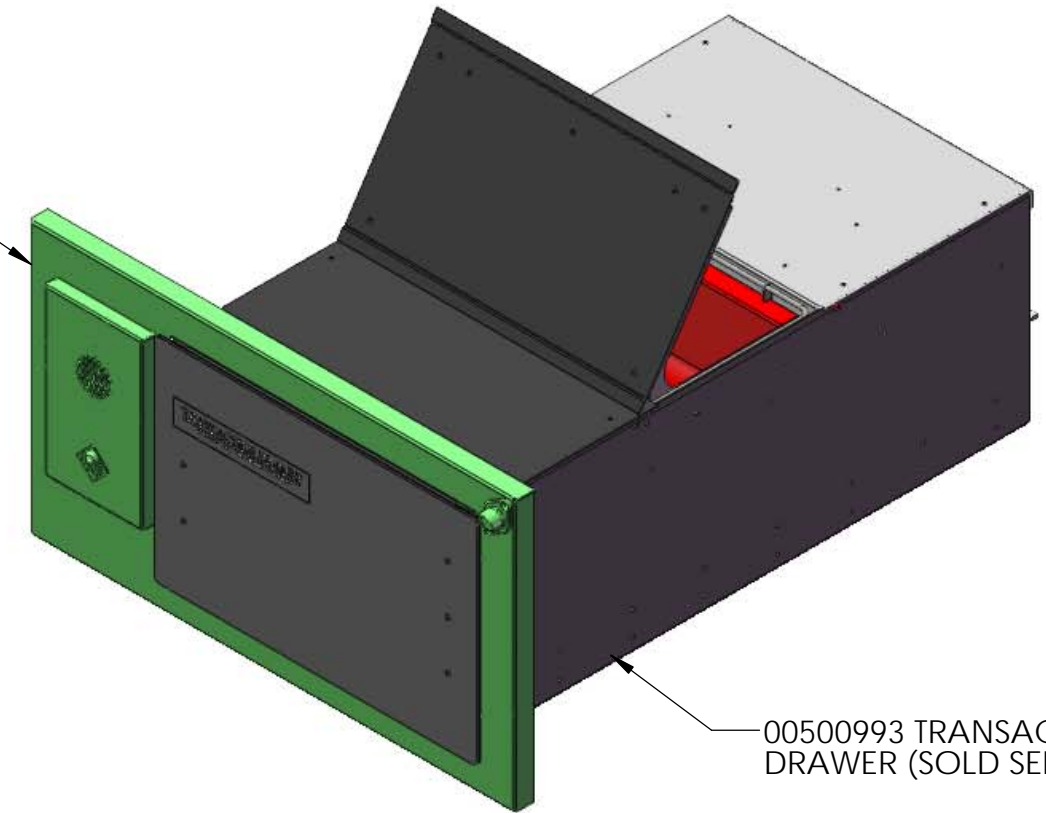
PROPRIETARY
THIS DOCUMENTATION AND INFORMATION CONTAINED ARE THE SOLE PROPERTY OF E.F. BAVIS & ASSOC., INC. IT SHALL BE RETURNED UPON REQUEST AND SHALL NOT BE REPRODUCED IN WHOLE OR IN PART, OR DISCLOSED TO ANYONE ELSE, OR USED, WITHOUT WRITTEN CONSENT OF E.F. BAVIS & ASSOC., INC.



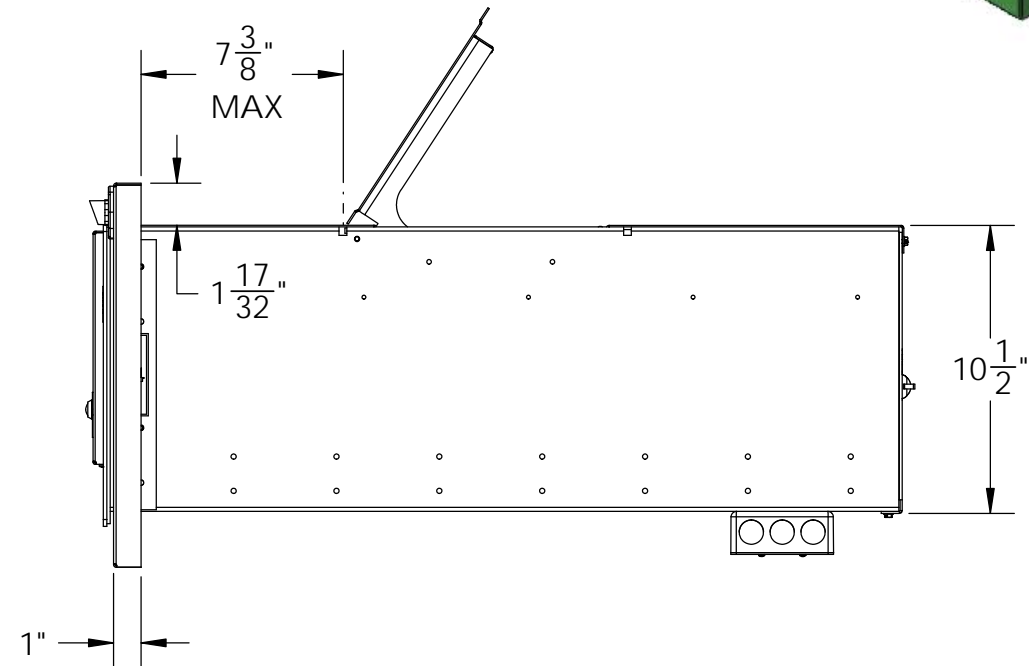
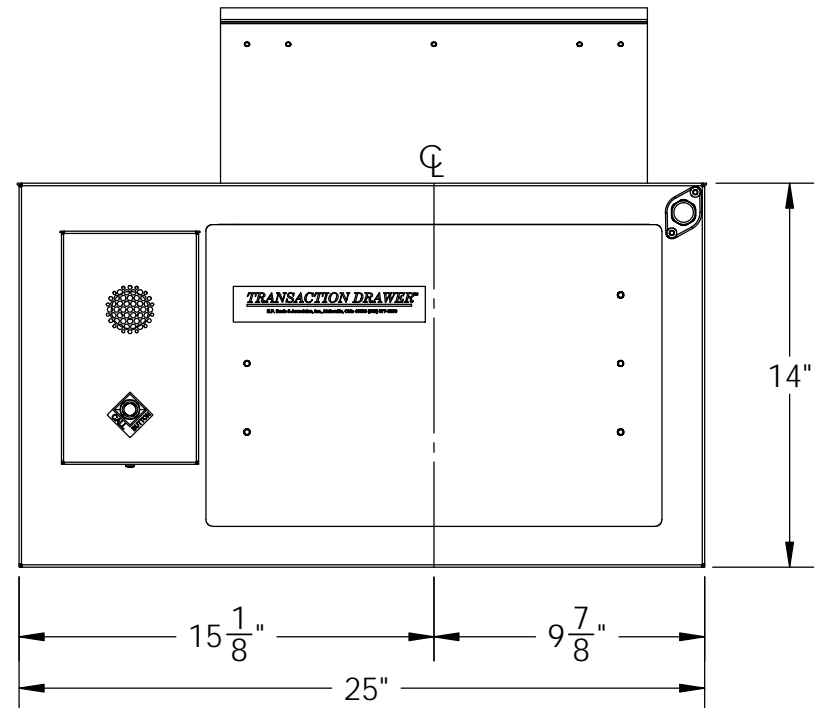
SIGNATURES		DATE	TITLE
DRAWN MJC		08/11/16	DIEBOLD TDR CUST PANEL ASSY #9
CHECKED			
ENGR.			
DIMENSIONS ARE IN INCHES		TOLERANCE UNLESS OTHERWISE NOTED:	
UNLESS OTHERWISE SPECIFIED		DECIMAL ±	N/A
ECN 18078		FRACTION ±	1/32
		ANGULAR ±	N/A
SIZE B	DRAWING NO. 24068227	SHEET 1 OF 1	Pg. 54



24068228 MOSLER
TDR 25in PANEL ASSY




00500993 TRANSACTION
DRAWER (SOLD SEPARATELY)



MATERIAL: 18 GA. STAINLESS STEEL WITH #4 FINISH (CONTACT FACTORY FOR OTHER FINISHES).
 MODEL 00500993 TRANSACTION DRAWER WITH OPERATOR SWITCH IS NOT INCLUDED IN THIS KIT.
 ALL DIMENSIONS AND APPEARANCE ARE SUBJECT TO CHANGE WITHOUT NOTICE.

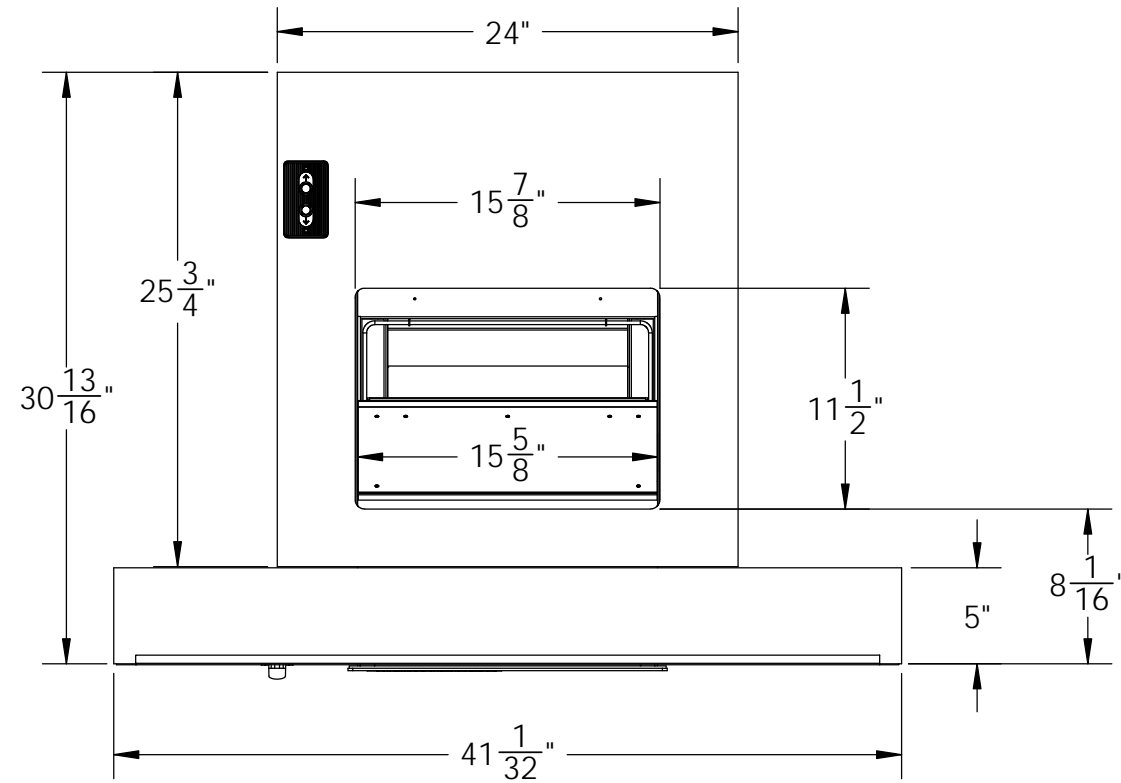
PROPRIETARY

THIS DOCUMENTATION AND INFORMATION CONTAINED ARE THE SOLE PROPERTY OF E.F.BAVIS & ASSOC., INC. IT SHALL BE RETURNED UPON REQUEST AND SHALL NOT BE REPRODUCED IN WHOLE OR IN PART, OR DISCLOSED TO ANYONE ELSE, OR USED, WITHOUT WRITTEN CONSENT OF E.F. BAVIS & ASSOC., INC.

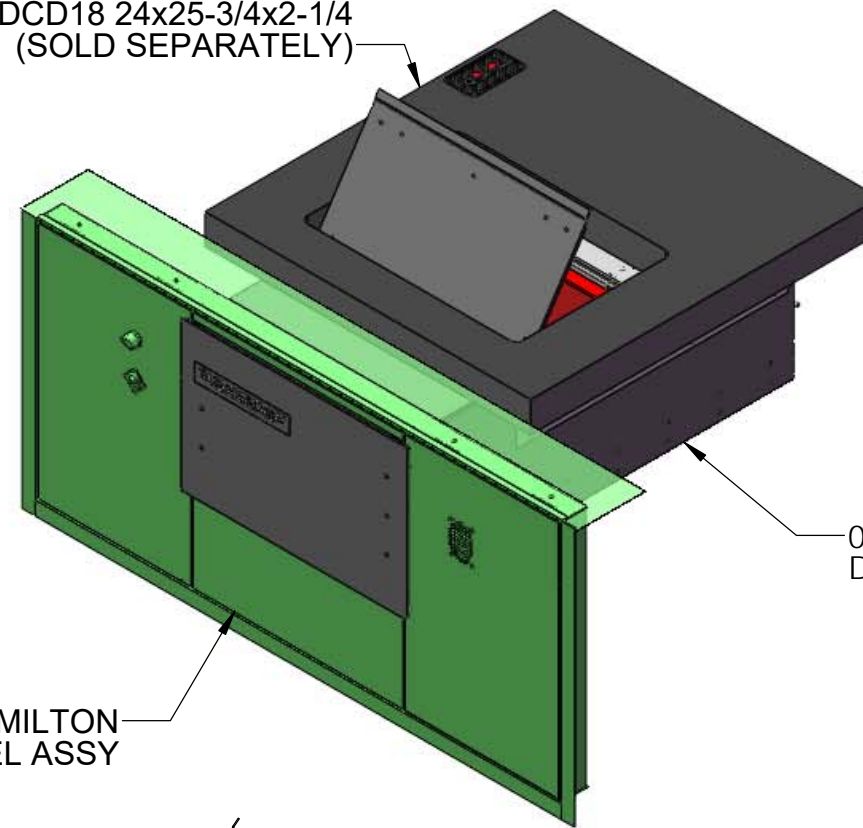


201 GRANDIN RD.
MAINEVILLE, OH 45039
T: 513.677.0500
F: 513.677.0552
WWW.BAVIS.COM

SIGNATURES	DATE	TITLE
DRAWN: MJC	12/13/16	MOSLER TDR 25in PANEL ASSY
CHECKED:		
ENGR.:		
DIMENSIONS ARE IN INCHES UNLESS OTHERWISE SPECIFIED	TOLERANCE UNLESS OTHERWISE NOTED: DECIMAL ± N/A FRACTION ± 1/32 ANGULAR ± N/A	SIZE: B DRAWING NO. 24068228 SHEET 1 OF 1

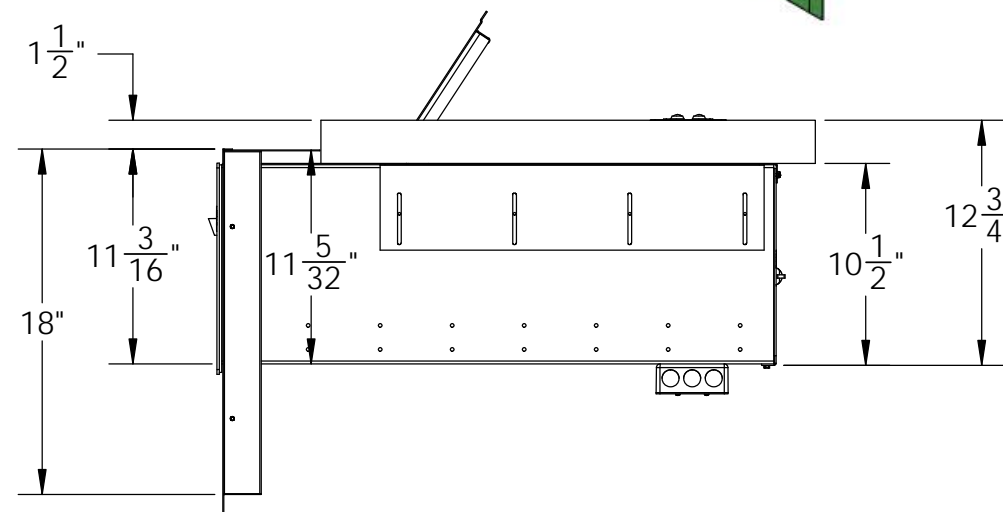
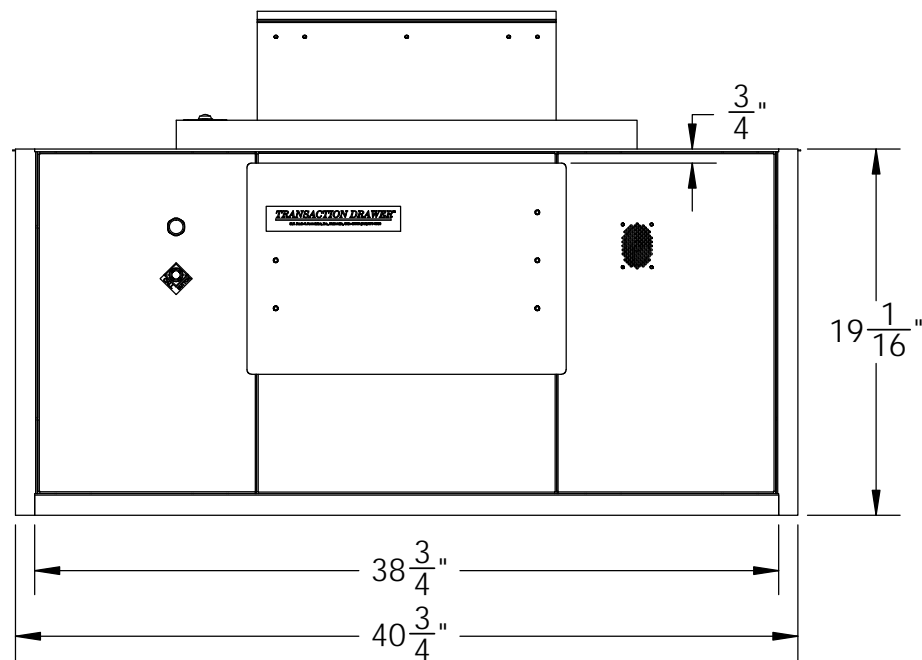


24077201 TDR LAMINATED COUNTERTOP KIT HAMILTON DCD18 24x25-3/4x2-1/4 (SOLD SEPARATELY)



00500993 TRANSACTION DRAWER (SOLD SEPARATELY)


24068229 HAMILTON DCD18 TDR PANEL ASSY



MATERIAL: 18 GA. STAINLESS STEEL WITH #4 FINISH (CONTACT FACTORY FOR OTHER FINISHES).
 MODEL 00500993 TRANSACTION DRAWER WITH OPERATOR SWITCH IS NOT INCLUDED IN THIS KIT.
 TDR LAMINATED COUNTER TOP, (P.N. 24077201), IS NOT INCLUDED IN THIS KIT.
 ALL DIMENSIONS AND APPEARANCE ARE SUBJECT TO CHANGE WITHOUT NOTICE.

PROPRIETARY

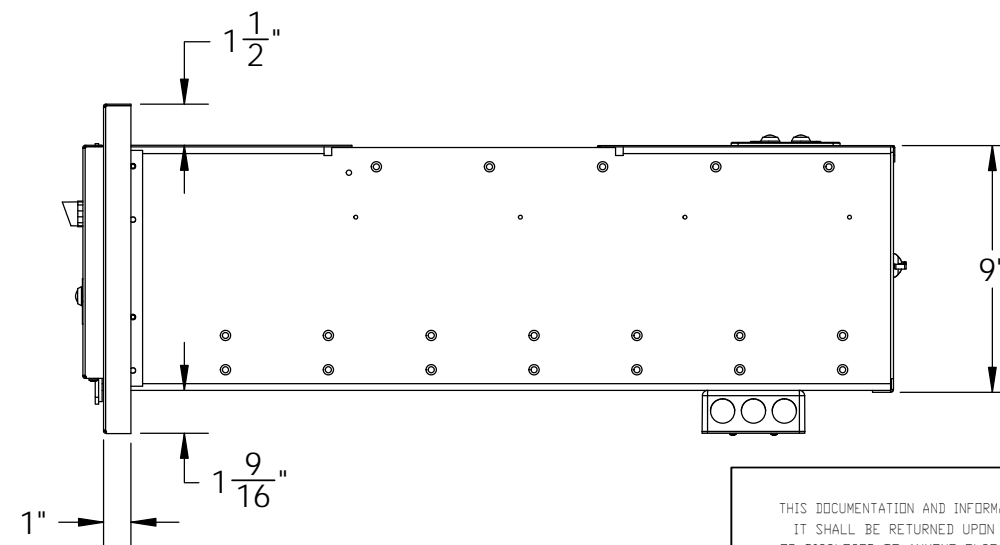
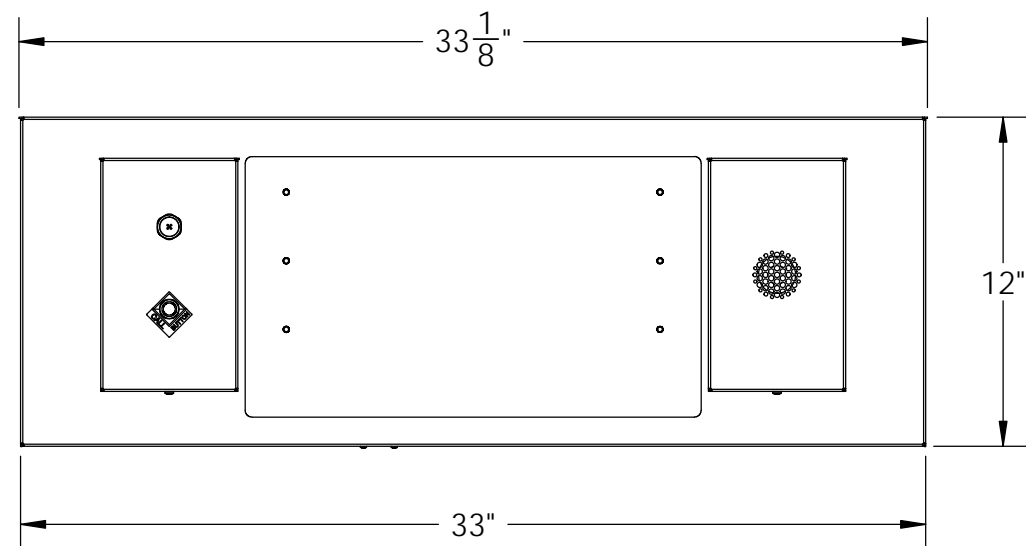
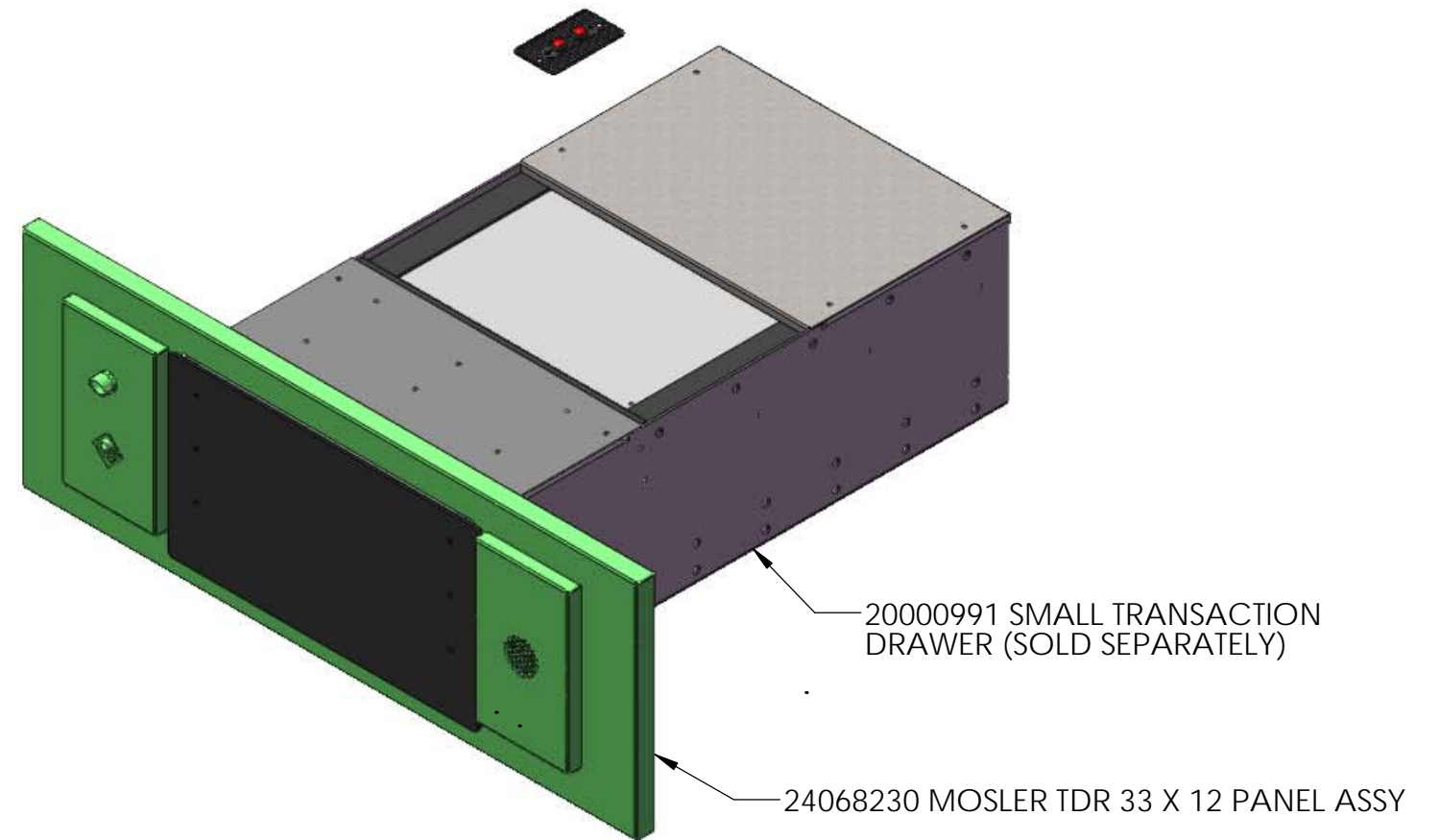
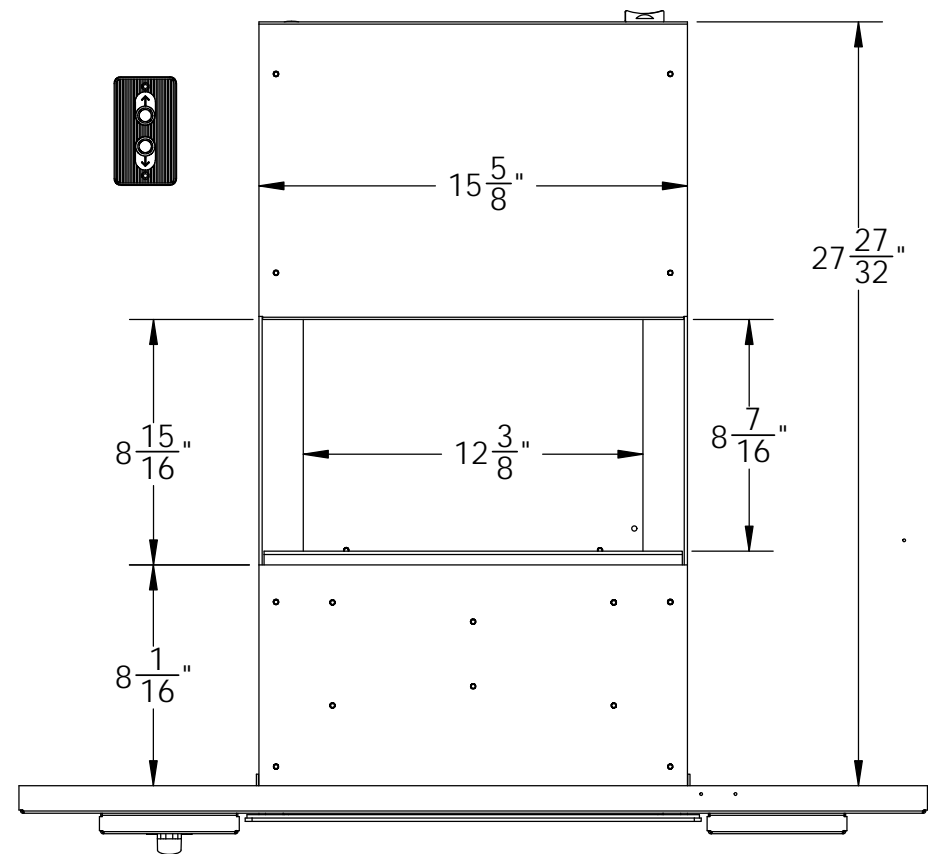
THIS DOCUMENTATION AND INFORMATION CONTAINED ARE THE SOLE PROPERTY OF E.F. BAVIS & ASSOC., INC. IT SHALL BE RETURNED UPON REQUEST AND SHALL NOT BE REPRODUCED IN WHOLE OR IN PART, OR DISCLOSED TO ANYONE ELSE, OR USED, WITHOUT WRITTEN CONSENT OF E.F. BAVIS & ASSOC., INC.



201 GRANDIN RD.
 MAINEVILLE, OH 45039
 T: 513.677.0500
 F: 513.677.0552
 WWW.BAVIS.COM

SIGNATURES	DATE	TITLE
DRAWN: MJC	12/30/16	HAMILTON DCD18 TDR PANEL ASSY
CHECKED:		
ENGR.:		
DIMENSIONS ARE IN INCHES		TOLERANCE UNLESS OTHERWISE NOTED:
UNLESS OTHERWISE SPECIFIED		DECIMAL ± N/A
ECN XXXX		FRACTION ± 1/32
		ANGULAR ± N/A


SIZE	DRAWING NO.	SHEET	OF
B	24068229	1	1



MATERIAL: 18 GA. STAINLESS STEEL WITH #4 FINISH (CONTACT FACTORY FOR OTHER FINISHES).
 MODEL 20000991 SMALL TRANSACTION DRAWER WITH OPERATOR SWITCH IS NOT INCLUDED IN THIS KIT.
 ALL DIMENSIONS AND APPEARANCE ARE SUBJECT TO CHANGE WITHOUT NOTICE.

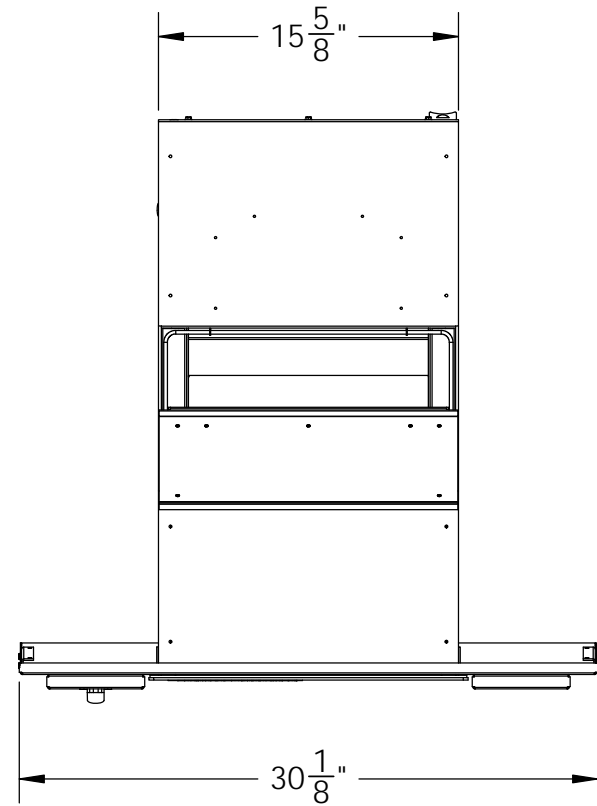
PROPRIETARY

THIS DOCUMENTATION AND INFORMATION CONTAINED ARE THE SOLE PROPERTY OF E.F. BAVIS & ASSOC., INC. IT SHALL BE RETURNED UPON REQUEST AND SHALL NOT BE REPRODUCED IN WHOLE OR IN PART, OR DISCLOSED TO ANYONE ELSE, OR USED, WITHOUT WRITTEN CONSENT OF E.F. BAVIS & ASSOC., INC.

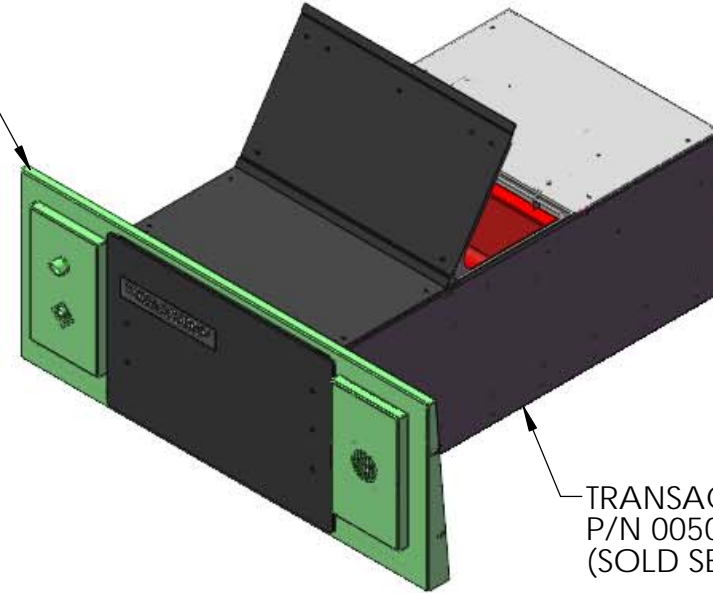


201 GRANDIN RD.
 MAINEVILLE, OH 45039
 T: 513.677.0500
 F: 513.677.0552
 WWW.BAVIS.COM

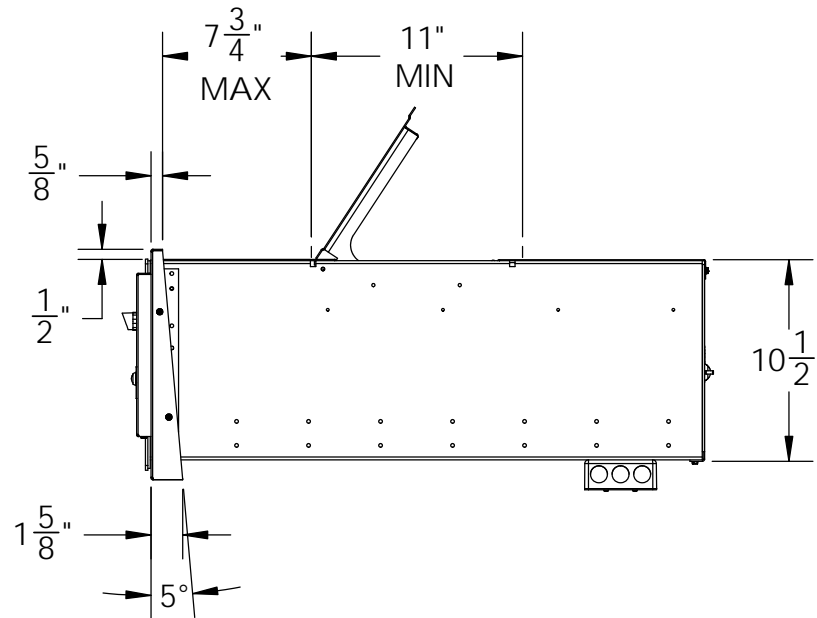
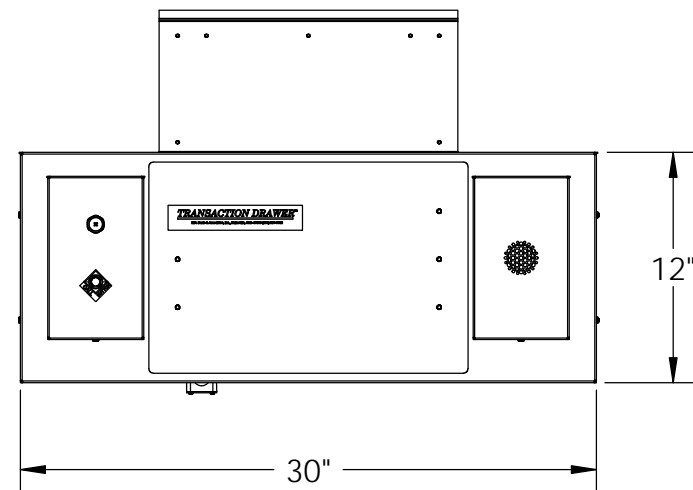
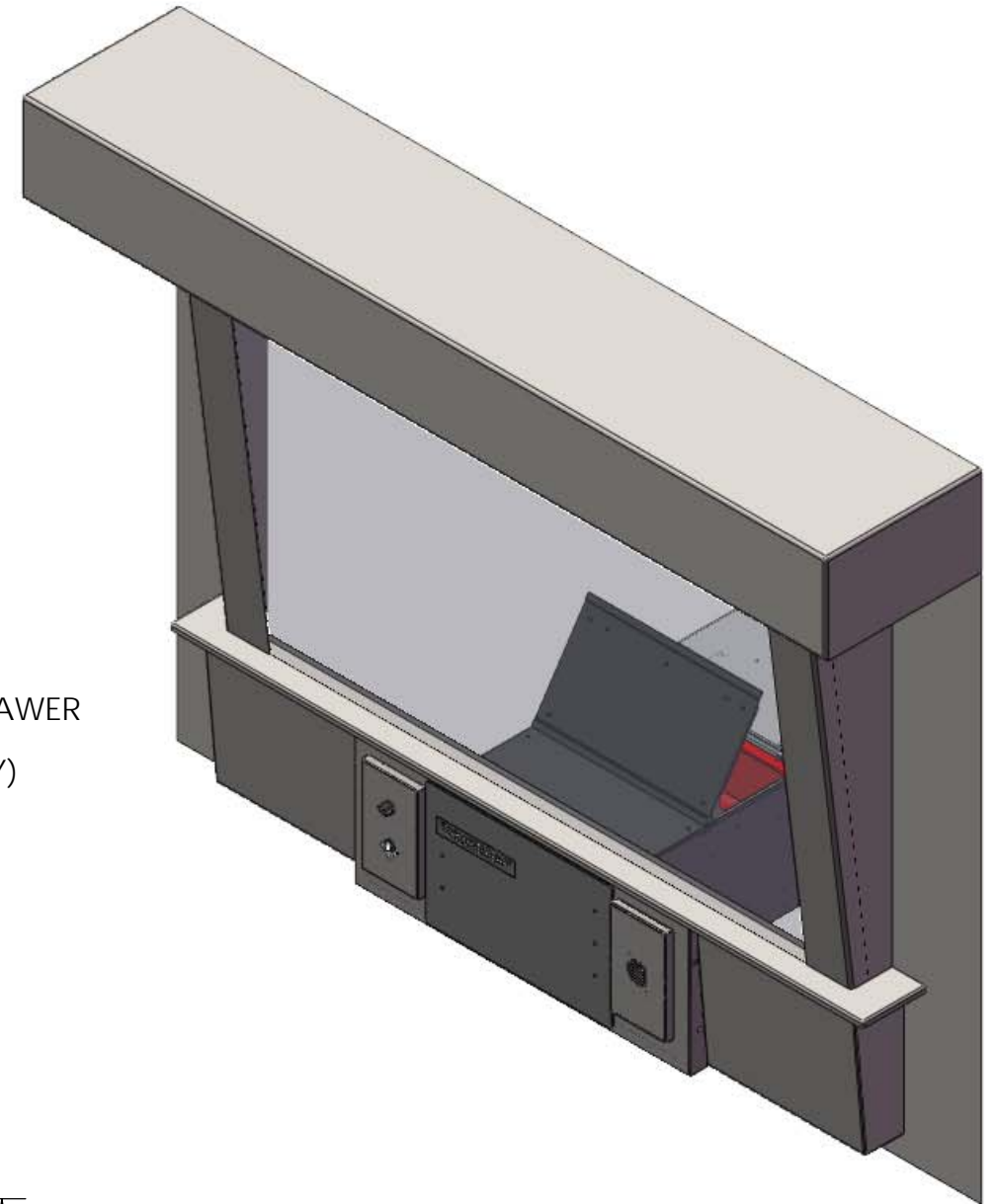
SIGNATURES	DATE	TITLE
DRAWN: MJC	01/25/17	MOSLER TDR 33 X 12 PANEL ASSY
CHECKED:		
ENGR.:		
DIMENSIONS ARE IN INCHES		TOLERANCE UNLESS OTHERWISE NOTED:
UNLESS OTHERWISE SPECIFIED		DECIMAL ± N/A
ECN 18033		FRACTION ± 1/32
		ANGULAR ± N/A
SIZE: B	DRAWING NO. 24068230	SHEET 1 OF 1



TDR 5 DEG TD CUST PANEL ASSY
P/N 24068231



TRANSACTION DRAWER
P/N 00500993
(SOLD SEPARATELY)

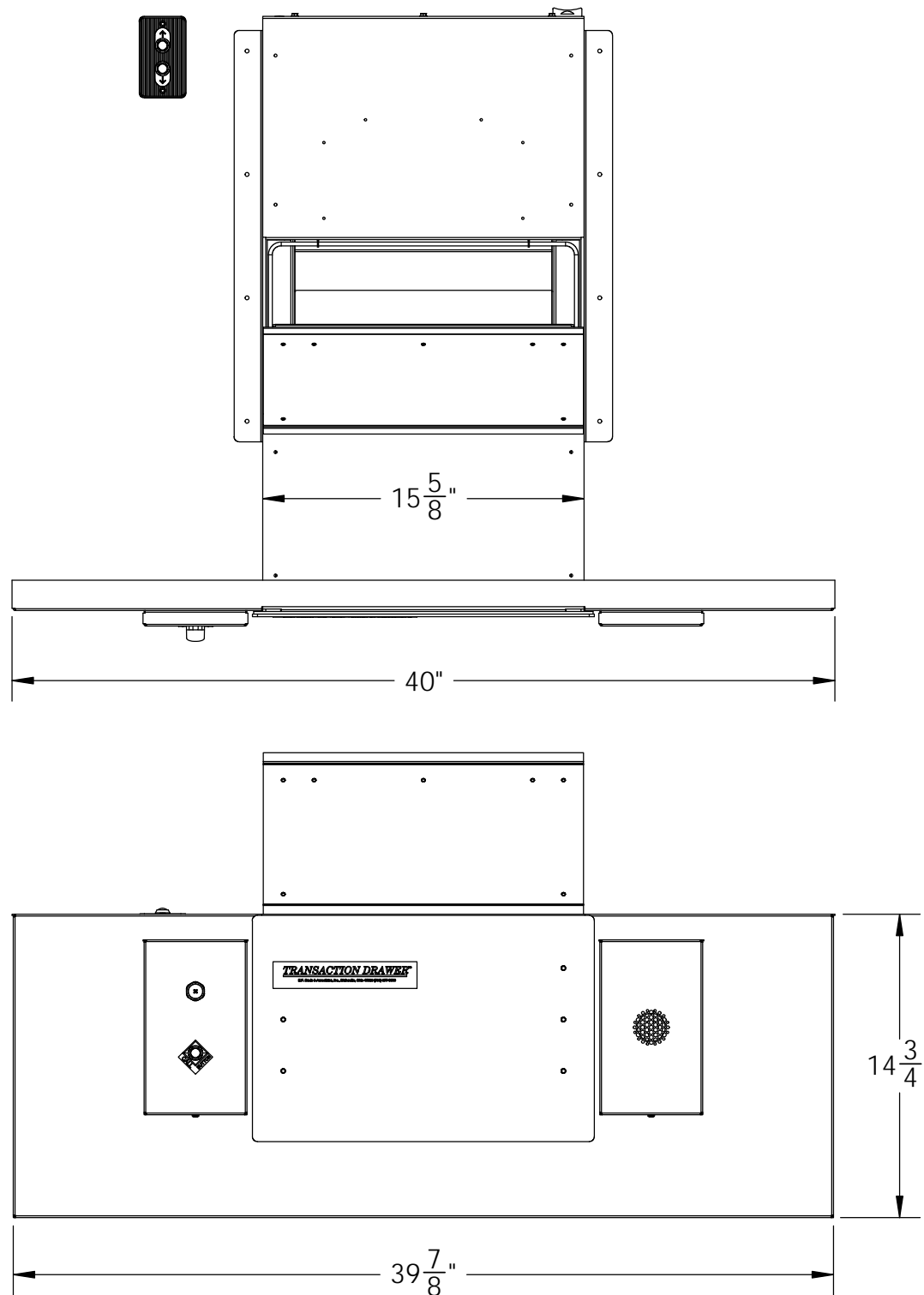


MATERIAL: 18 GA. STAINLESS STEEL WITH #4 FINISH (CONTACT FACTORY FOR OTHER FINISHES).
 MODEL 00500993 TRANSACTION DRAWER WITH OPERATOR SWITCH IS NOT INCLUDED IN THIS KIT.
 ALL DIMENSIONS AND APPEARANCE ARE SUBJECT TO CHANGE WITHOUT NOTICE.

PROPRIETARY
 THIS DOCUMENTATION AND INFORMATION CONTAINED ARE THE SOLE PROPERTY OF E.F. BAVIS & ASSOC., INC.
 IT SHALL BE RETURNED UPON REQUEST AND SHALL NOT BE REPRODUCED IN WHOLE OR IN PART,
 OR DISCLOSED TO ANYONE ELSE, OR USED, WITHOUT WRITTEN CONSENT OF E.F. BAVIS & ASSOC., INC.

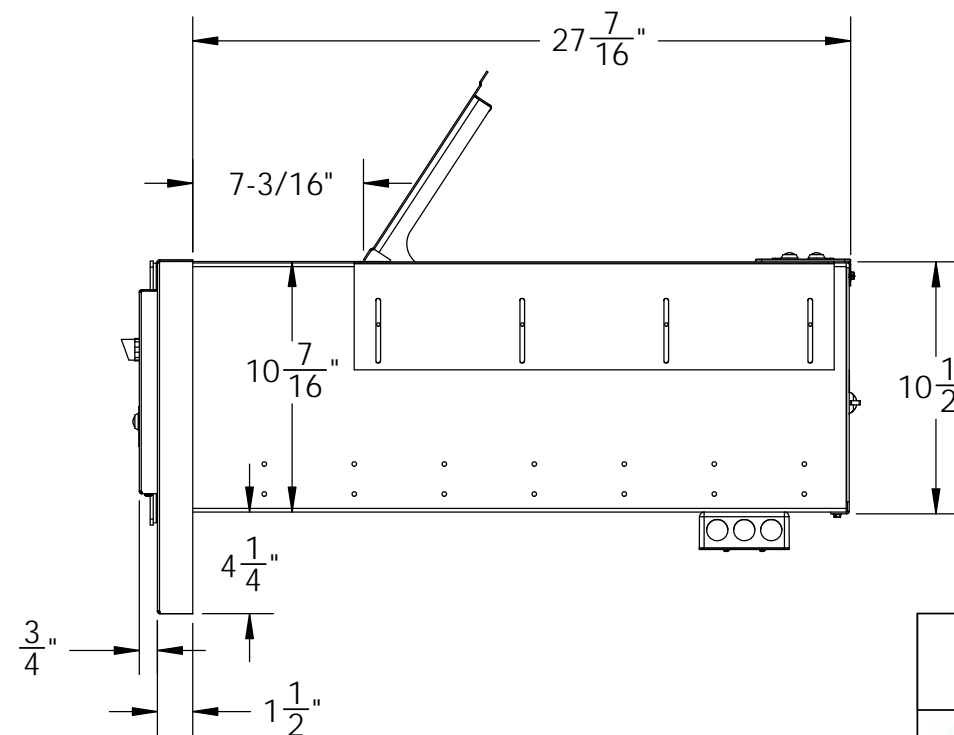
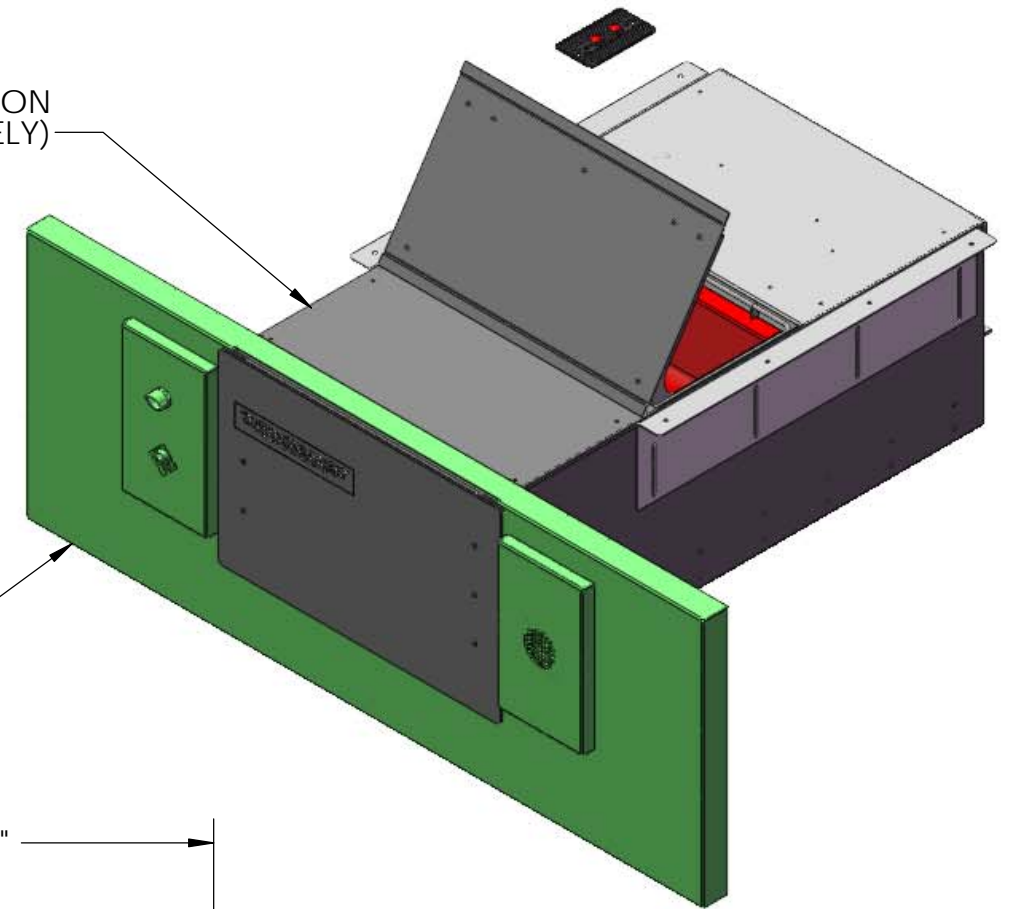
201 GRANDIN RD.
 MAINEVILLE, OH 45039
 T: 513.677.0500
 F: 513.677.0552
 WWW.BAVIS.COM

SIGNATURES		DATE	TITLE
DRAWN MJC		11/11/17	TDR 5 DEG TD CUST PANEL ASSY
CHECKED			
ENGR.			
DIMENSIONS ARE IN INCHES	TOLERANCE UNLESS OTHERWISE NOTED:		SIZE B DRAWING NO. 24068231 SHEET 1 OF 1
UNLESS OTHERWISE SPECIFIED	DECIMAL ±	N/A	
ECN 18812	FRACTION ±	1/32	
	ANGULAR ±	N/A	



00500993 TRANSACTION DRAWER (SOLD SEPARATELY)


24068232 TDR 40 X 14-3/4 PANEL ASSY



MATERIAL: 18 GA. STAINLESS STEEL WITH #4 FINISH (CONTACT FACTORY FOR OTHER FINISHES).
 MODEL 00500993 TRANSACTION DRAWER WITH OPERATOR SWITCH IS NOT INCLUDED IN THIS KIT.
 ALL DIMENSIONS AND APPEARANCE ARE SUBJECT TO CHANGE WITHOUT NOTICE.

PROPRIETARY

THIS DOCUMENTATION AND INFORMATION CONTAINED ARE THE SOLE PROPERTY OF E.F. BAVIS & ASSOC., INC. IT SHALL BE RETURNED UPON REQUEST AND SHALL NOT BE REPRODUCED IN WHOLE OR IN PART, OR DISCLOSED TO ANYONE ELSE, OR USED, WITHOUT WRITTEN CONSENT OF E.F. BAVIS & ASSOC., INC.

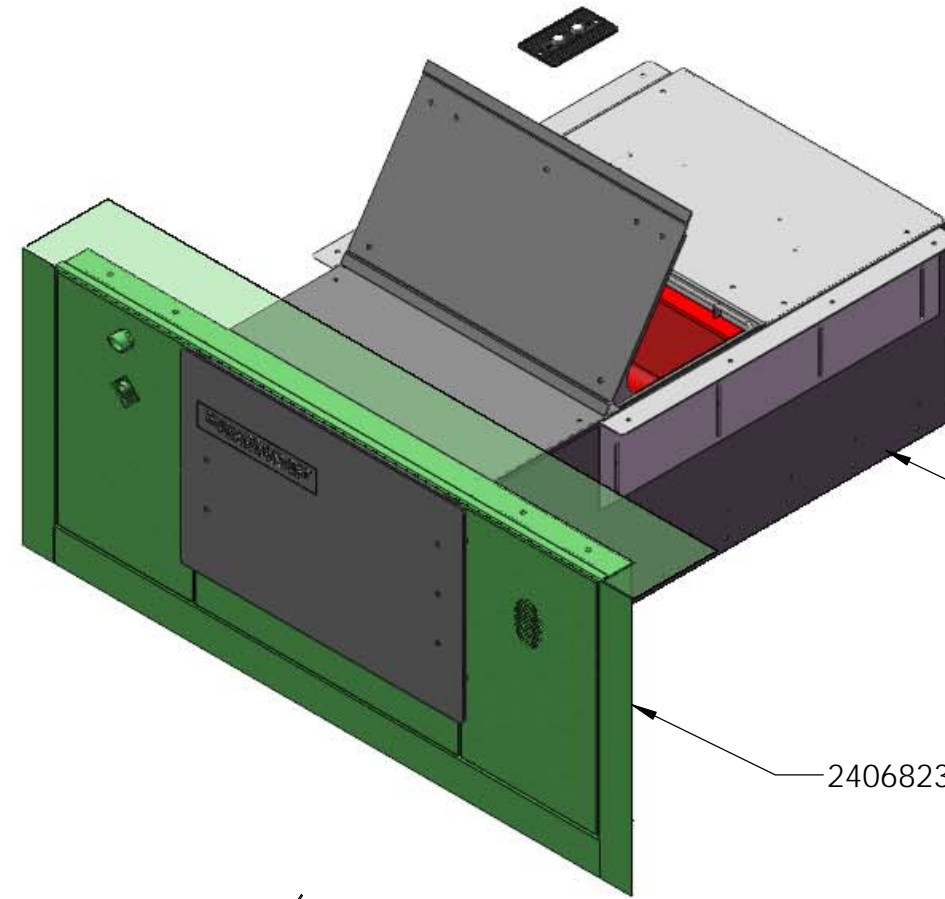
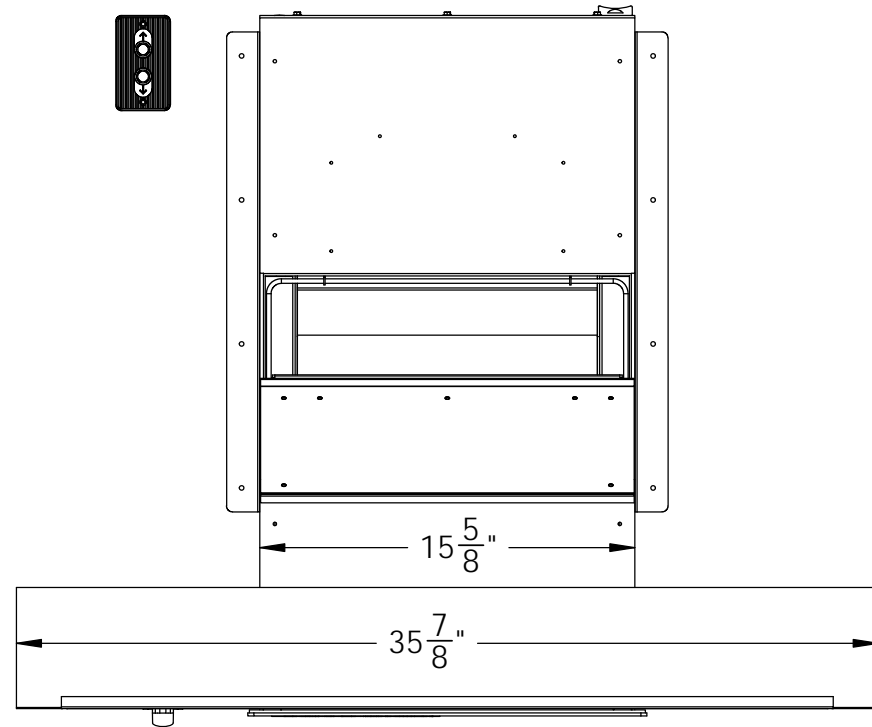


201 GRANDIN RD.
 MAINEVILLE, OH 45039
 T: 513.677.0500
 F: 513.677.0552
 WWW.BAVIS.COM

SIGNATURES	DATE	TITLE
DRAWN: MJC	12/05/17	TDR 40 X 14-3/4 PANEL ASSY SHOWN WITH 00500993 DRAWER
CHECKED:		
ENGR.:		
DIMENSIONS ARE IN INCHES UNLESS OTHERWISE SPECIFIED	TOLERANCE UNLESS OTHERWISE NOTED: DECIMAL ± N/A FRACTION ± 1/32 ANGULAR ± N/A	SIZE: B DRAWING NO. 24068232 SHEET 2 OF 2
ECN: 18919		

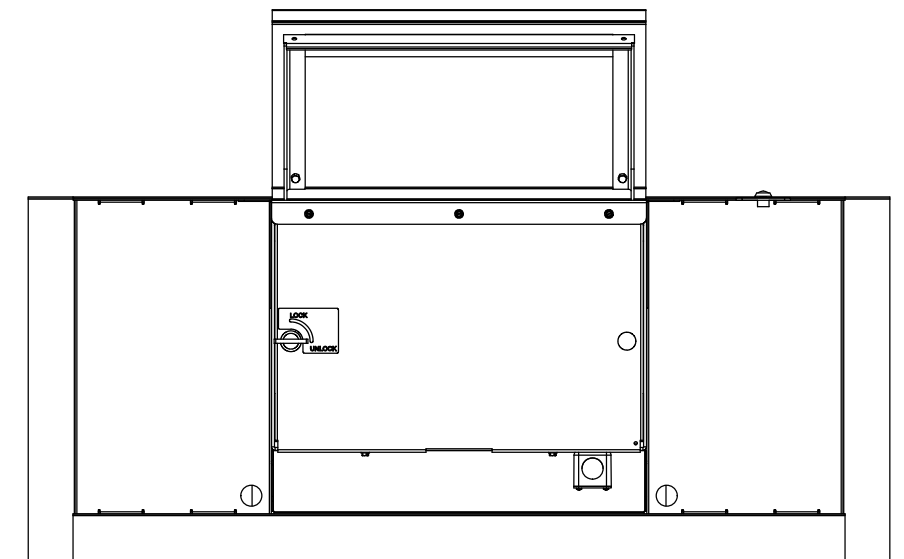
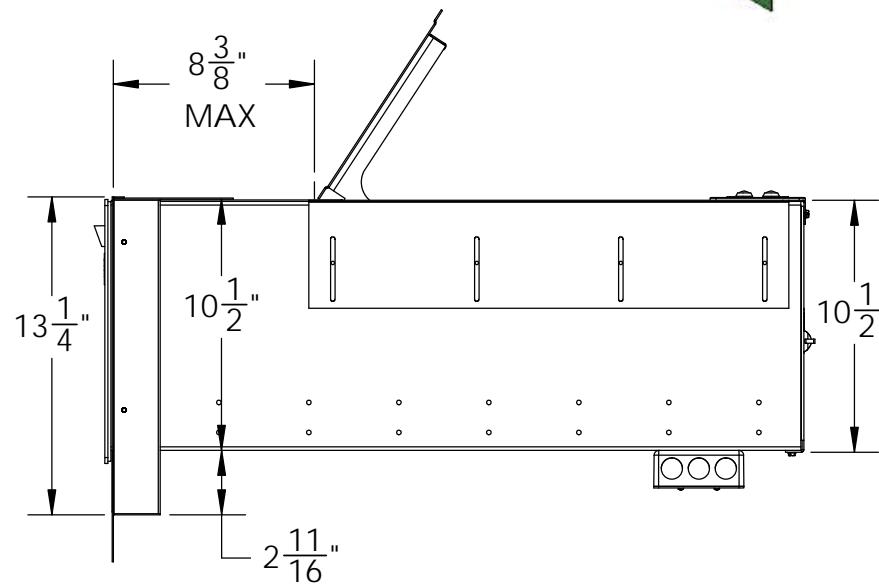
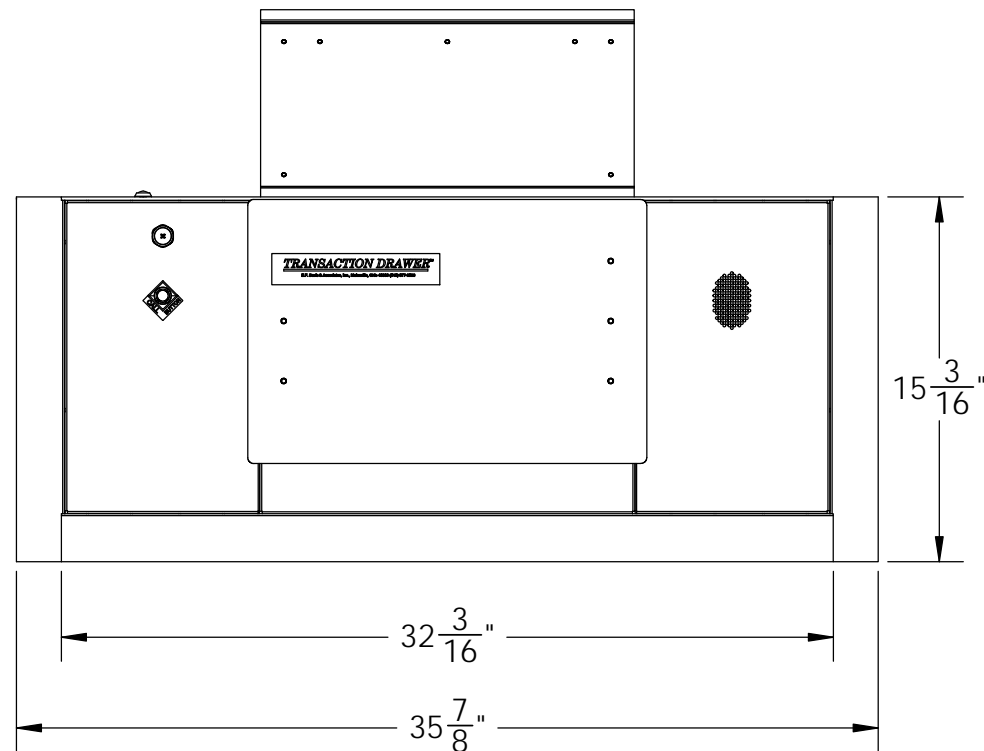
24068233

DATE	ECN	REVISION RECORD	DR	CK
01/15/19	19699	REPLACE SPEAKER & REMOVE BACKBOX	MC	DL
02/28/19	20057	REPLACE MIC NUT	MC	DM



00500993 TRANSACTION DRAWER (SOLD SEPARATELY)


24068233 DIEBOLD TDR PANEL ASSY



MATERIAL: 18 GA. STAINLESS STEEL WITH #4 FINISH (CONTACT FACTORY FOR OTHER FINISHES).
 MODEL 00500993 TRANSACTION DRAWER WITH OPERATOR SWITCH IS NOT INCLUDED IN THIS KIT
 ALL DIMENSIONS AND APPEARANCE ARE SUBJECT TO CHANGE WITHOUT NOTICE.

PROPRIETARY

THIS DOCUMENTATION AND INFORMATION CONTAINED ARE THE SOLE PROPERTY OF E.F. BAVIS & ASSOC., INC. IT SHALL BE RETURNED UPON REQUEST AND SHALL NOT BE REPRODUCED IN WHOLE OR IN PART, OR DISCLOSED TO ANYONE ELSE, OR USED, WITHOUT WRITTEN CONSENT OF E.F. BAVIS & ASSOC., INC.

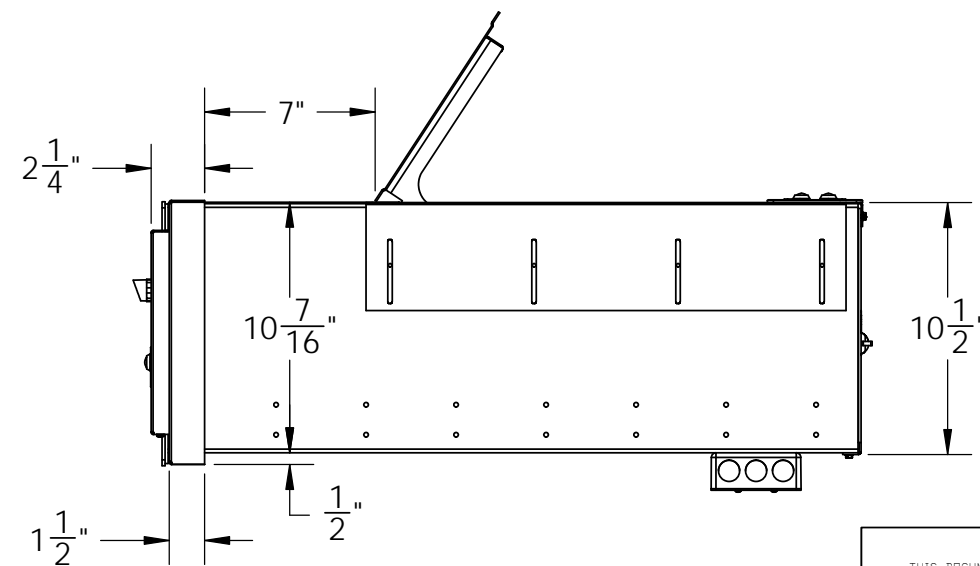
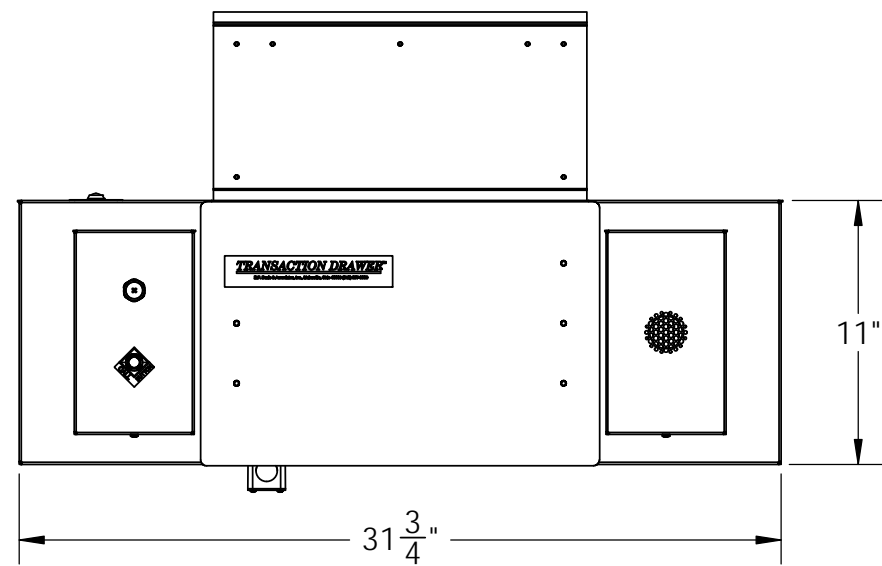
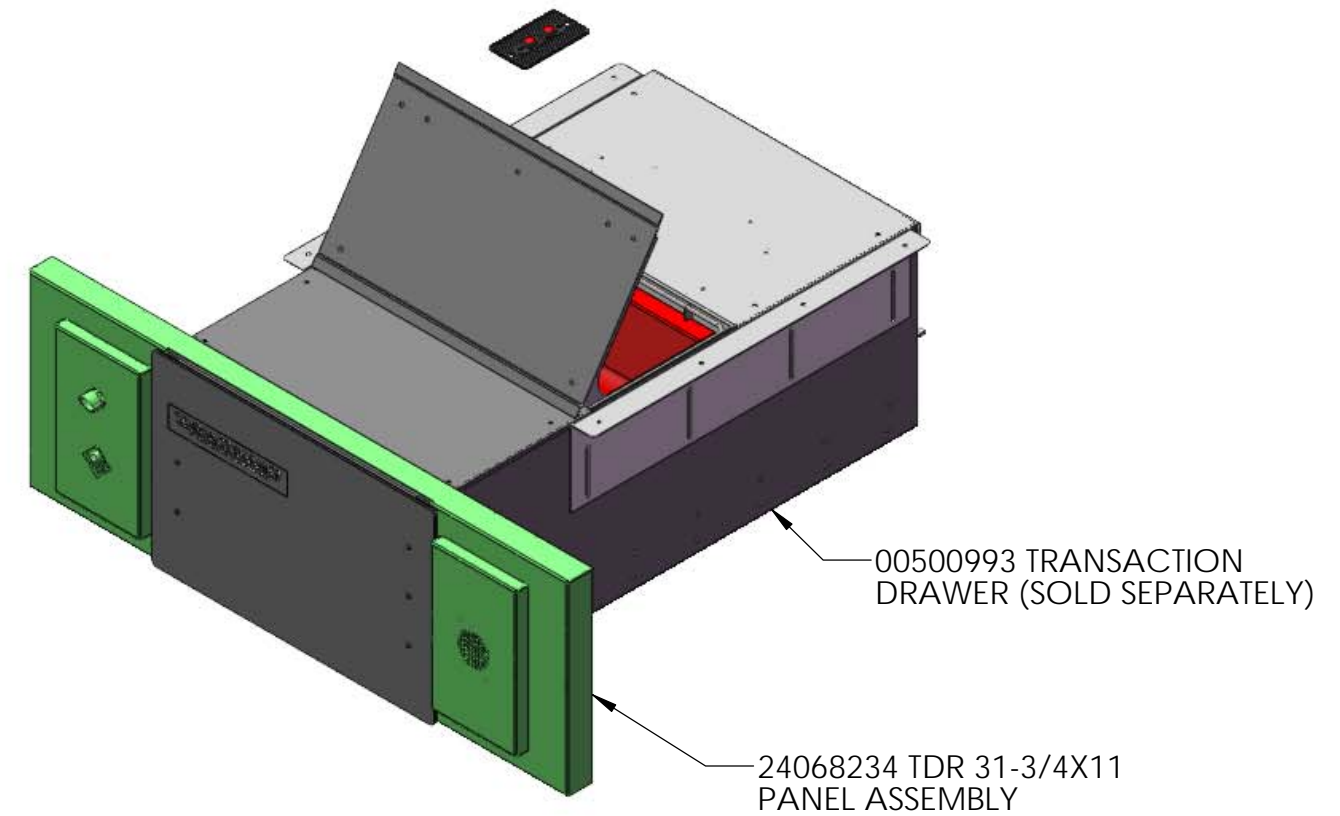
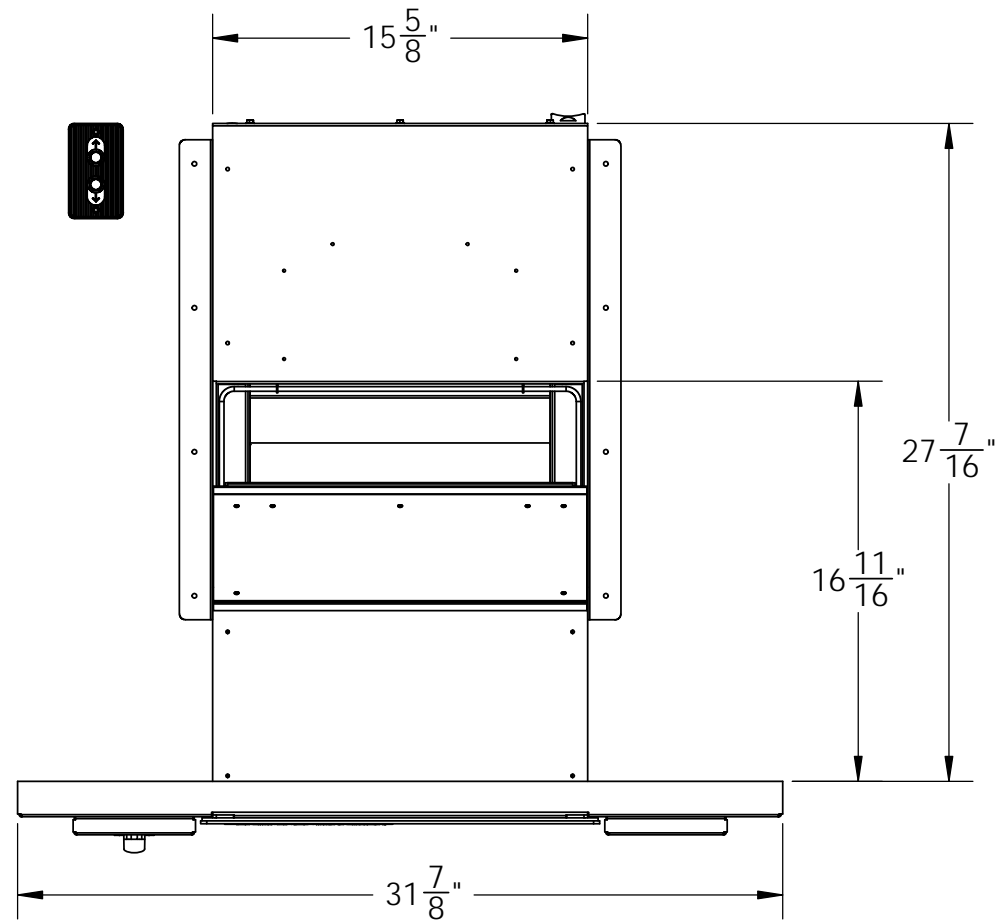


201 GRANDIN RD.
 MAINEVILLE, OH 45039
 T: 513.677.0500
 F: 513.677.0552
 WWW.BAVIS.COM

SIGNATURES		DATE	TITLE
DRAWN		MJC	12/08/17
CHECKED			
ENGR.			
DIMENSIONS ARE IN INCHES		TOLERANCE UNLESS OTHERWISE NOTED:	
UNLESS OTHERWISE SPECIFIED		DECIMAL ±	N/A
ECN		FRACTION ±	1/32
18973		ANGULAR ±	N/A

DIEBOLD TDR PANEL ASSY


SIZE	DRAWING NO.	SHEET	OF
B	24068233	1	2



MATERIAL: 18 GA. STAINLESS STEEL WITH #4 FINISH (CONTACT FACTORY FOR OTHER FINISHES).
 MODEL 00500993 TRANSACTION DRAWER WITH OPERATOR SWITCH IS NOT INCLUDED IN THIS KIT.
 ALL DIMENSIONS AND APPEARANCE ARE SUBJECT TO CHANGE WITHOUT NOTICE.

PROPRIETARY

THIS DOCUMENTATION AND INFORMATION CONTAINED ARE THE SOLE PROPERTY OF E.F. BAVIS & ASSOC., INC. IT SHALL BE RETURNED UPON REQUEST AND SHALL NOT BE REPRODUCED IN WHOLE OR IN PART, OR DISCLOSED TO ANYONE ELSE, OR USED, WITHOUT WRITTEN CONSENT OF E.F. BAVIS & ASSOC., INC.



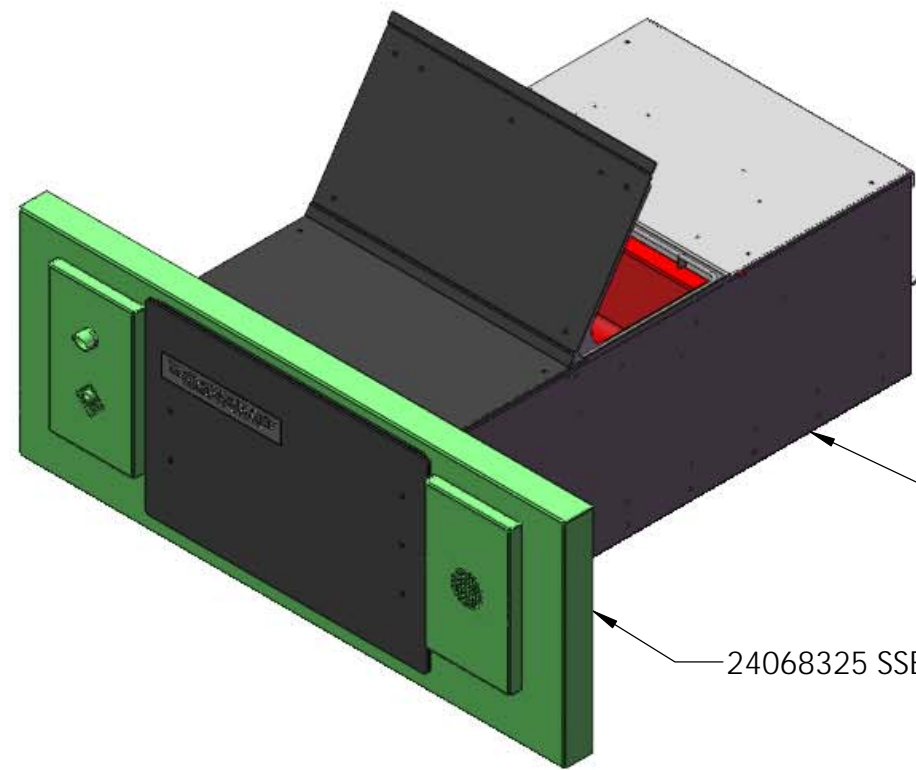
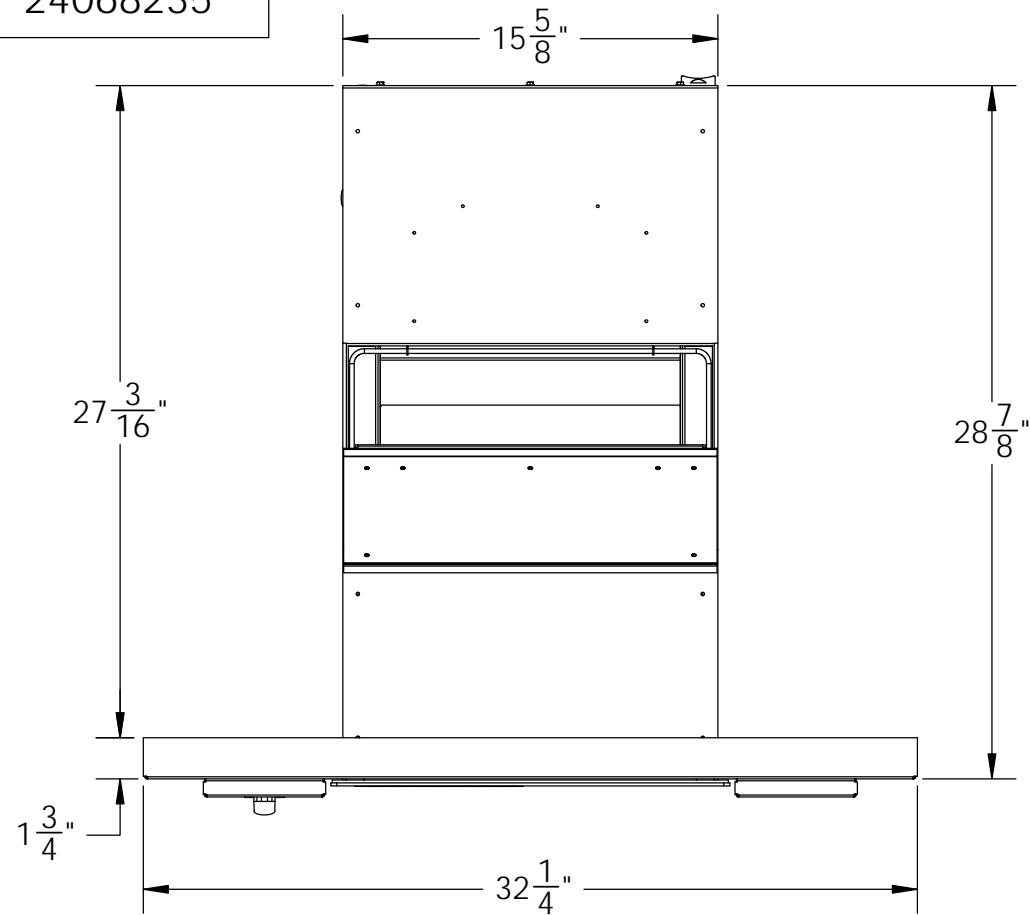
201 GRANDIN RD.
 MAINEVILLE, OH 45039
 T: 513.677.0500
 F: 513.677.0552
 WWW.BAVIS.COM

SIGNATURES		DATE	TITLE
DRAWN MJC		02/19/18	TDR 31-3/4x11 PANEL ASSEMBLY FOR SOME HAMILTON DRAWERS SHOWN WITH 00500993 DRAWER
CHECKED			
ENGR.			
DIMENSIONS ARE IN INCHES		TOLERANCE UNLESS OTHERWISE NOTED:	
UNLESS OTHERWISE SPECIFIED		DECIMAL ± N/A	
ECN 19124		FRACTION ± 1/32	
		ANGULAR ± N/A	

SIZE	DRAWING NO.	SHEET	OF
B	24068234	2	61

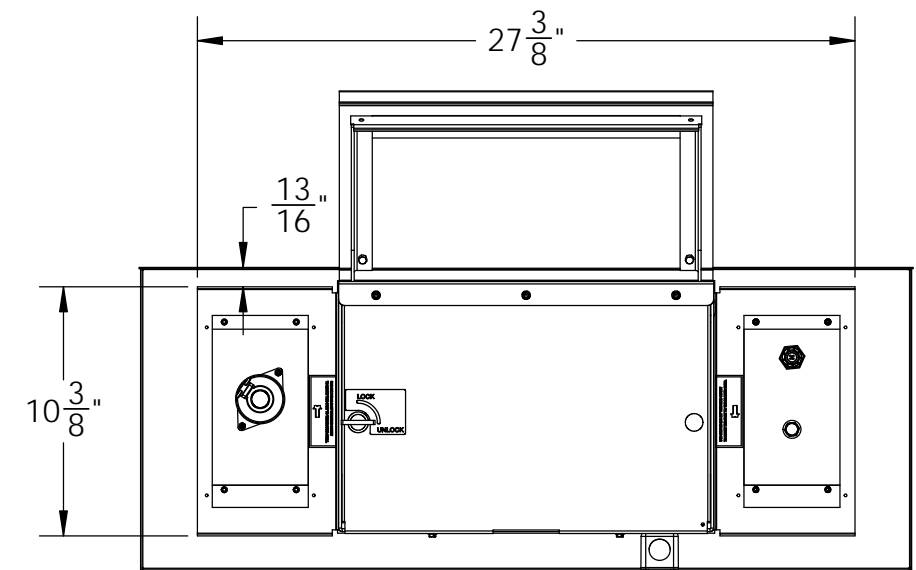
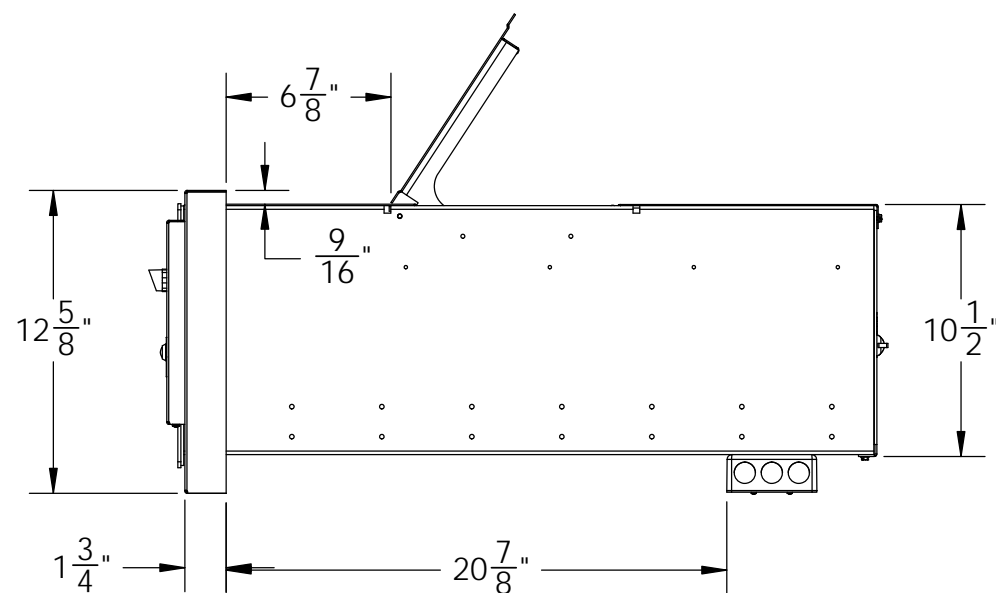
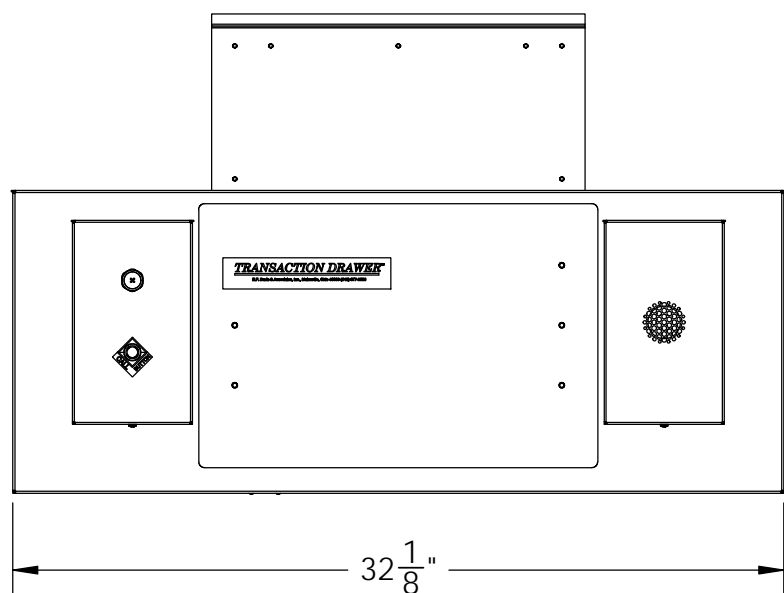
24068235

DATE	ECN	REVISION RECORD	DR	CK
------	-----	-----------------	----	----



00500993 TRANSACTION DRAWER (SOLD SEPARATELY)


24068325 SSE IXD1100 TDR PANEL ASSM



MATERIAL: 18 GA. STAINLESS STEEL WITH #4 FINISH (CONTACT FACTORY FOR OTHER FINISHES).
 MODEL 00500993 TRANSACTION DRAWER WITH OPERATOR SWITCH IS NOT INCLUDED IN THIS KIT.
 ALL DIMENSIONS AND APPEARANCE ARE SUBJECT TO CHANGE WITHOUT NOTICE.

PROPRIETARY

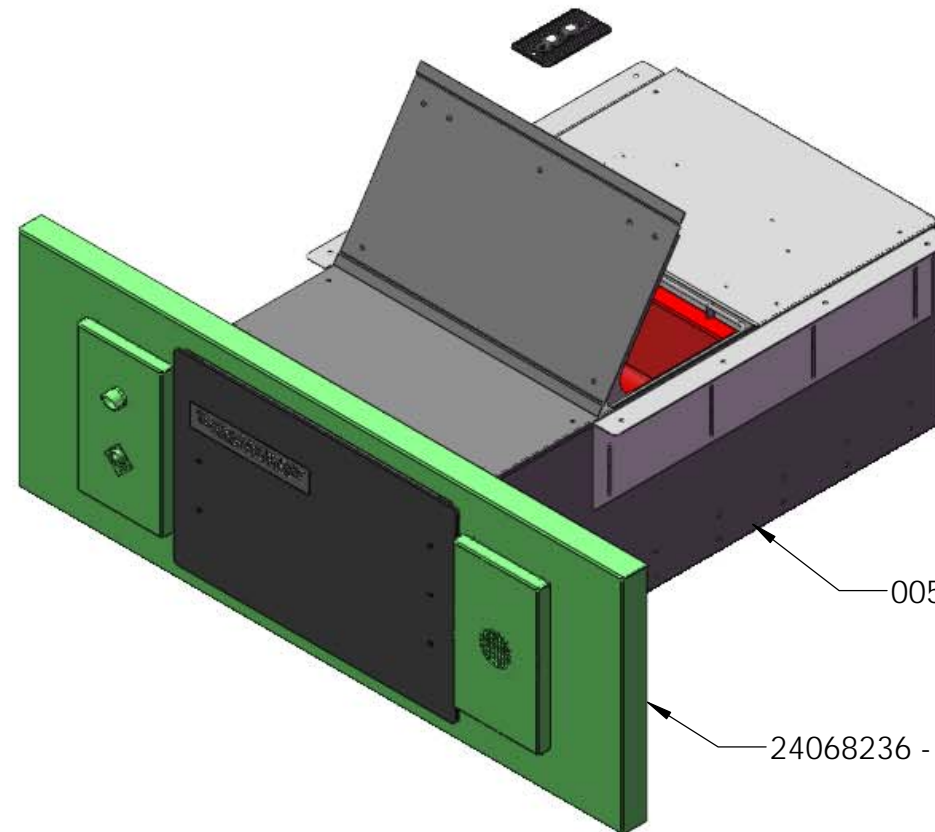
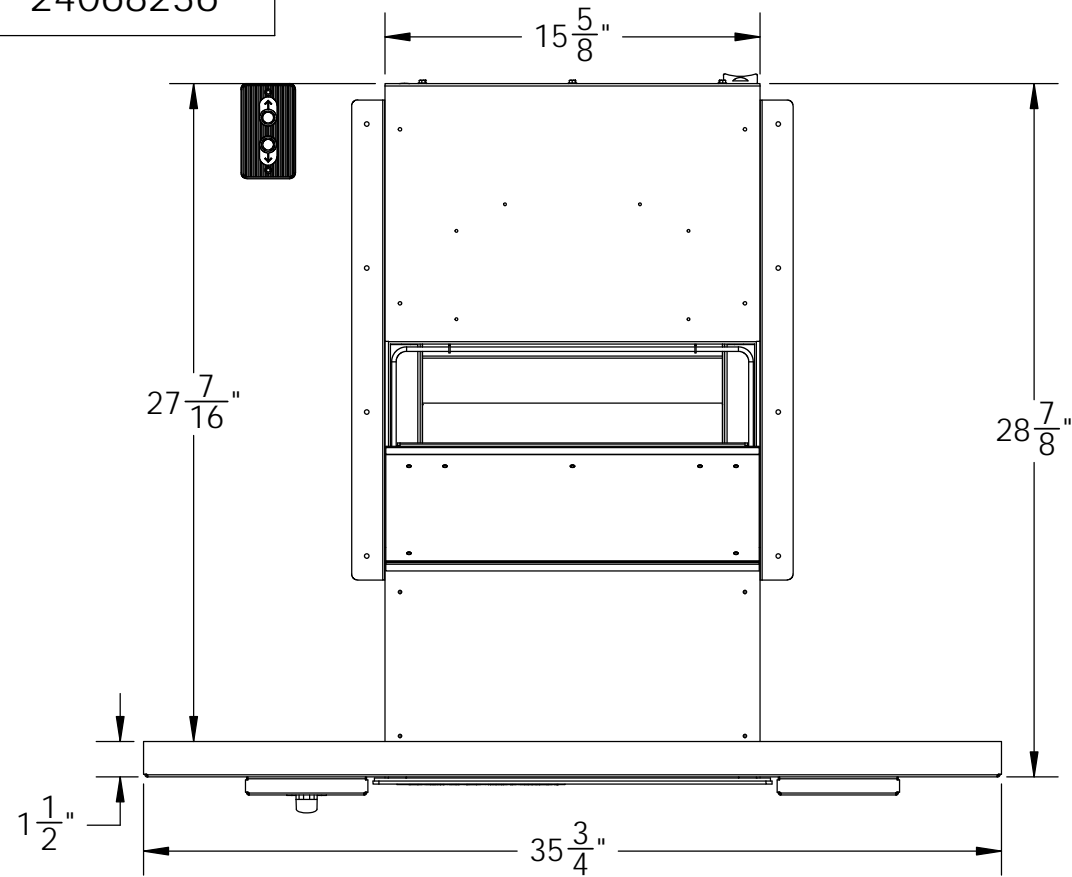
THIS DOCUMENTATION AND INFORMATION CONTAINED ARE THE SOLE PROPERTY OF E.F. BAVIS & ASSOC., INC. IT SHALL BE RETURNED UPON REQUEST AND SHALL NOT BE REPRODUCED IN WHOLE OR IN PART, OR DISCLOSED TO ANYONE ELSE, OR USED, WITHOUT WRITTEN CONSENT OF E.F. BAVIS & ASSOC., INC.



201 GRANDIN RD.
 MAINEVILLE, OH 45039
 T: 513.677.0500
 F: 513.677.0552
 WWW.BAVIS.COM

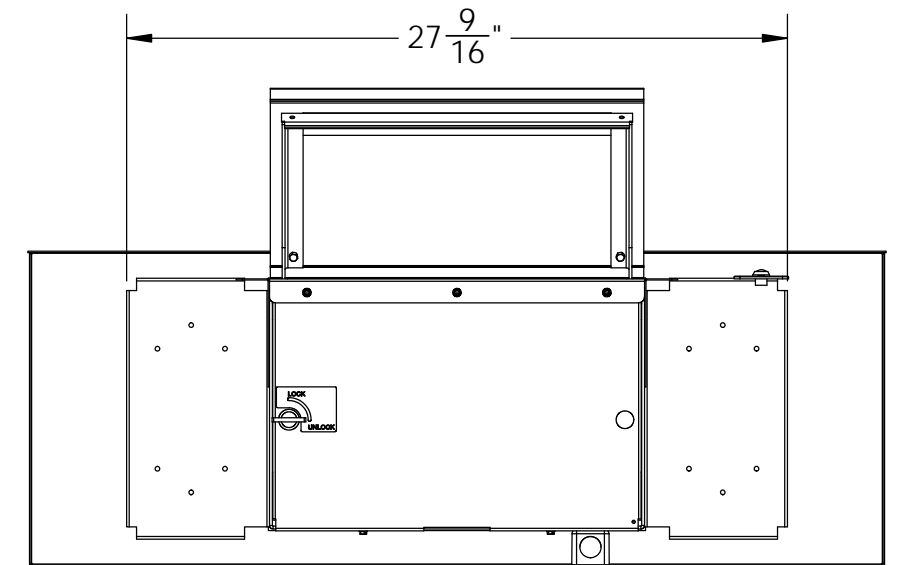
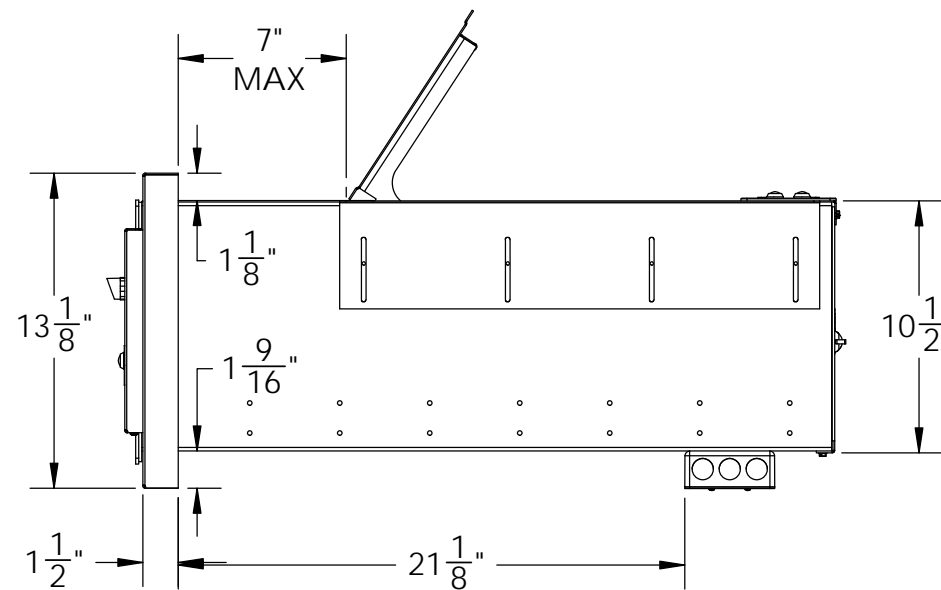
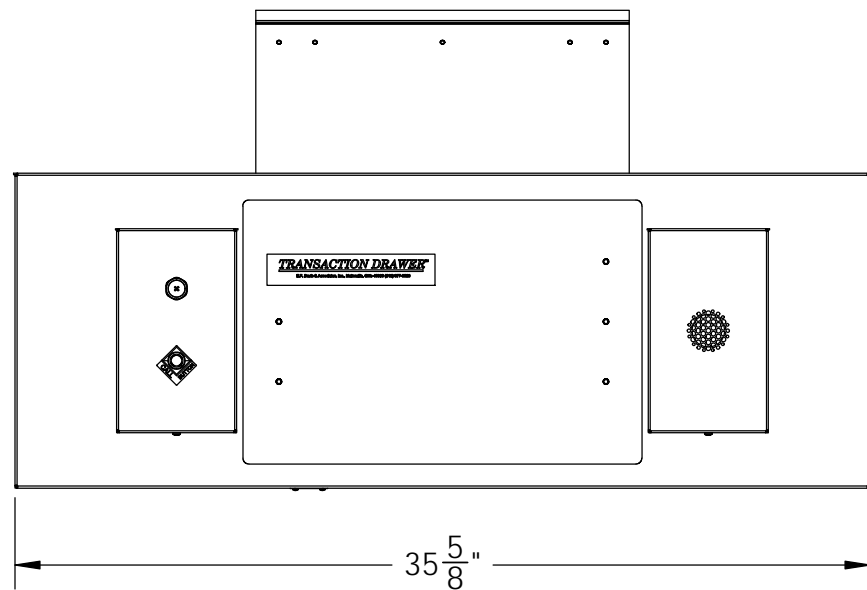
SIGNATURES		DATE	TITLE
DRAWN MJC		05/09/19	SSE IXD1100 TDR CUST PANEL ASSM WITH DRAWER
CHECKED			
ENGR.			
DIMENSIONS ARE IN INCHES	TOLERANCE UNLESS OTHERWISE NOTED:		
UNLESS OTHERWISE SPECIFIED	DECIMAL ±	N/A	
ECN	FRACTION ±	1/32	
20XXX	ANGULAR ±	N/A	

SIZE	DRAWING NO.	SHEET
B	24068235	2
		OF 2



00500993 TRANSACTION DRAWER (SOLD SEPARATELY)


24068236 - 35-3/4X13-1/8 TDR PANEL ASSY



MATERIAL: 18 GA. STAINLESS STEEL WITH #4 FINISH (CONTACT FACTORY FOR OTHER FINISHES).
 MODEL 00500993 TRANSACTION DRAWER WITH OPERATOR SWITCH IS NOT INCLUDED IN THIS KIT.
 ALL DIMENSIONS AND APPEARANCE ARE SUBJECT TO CHANGE WITHOUT NOTICE.

PROPRIETARY

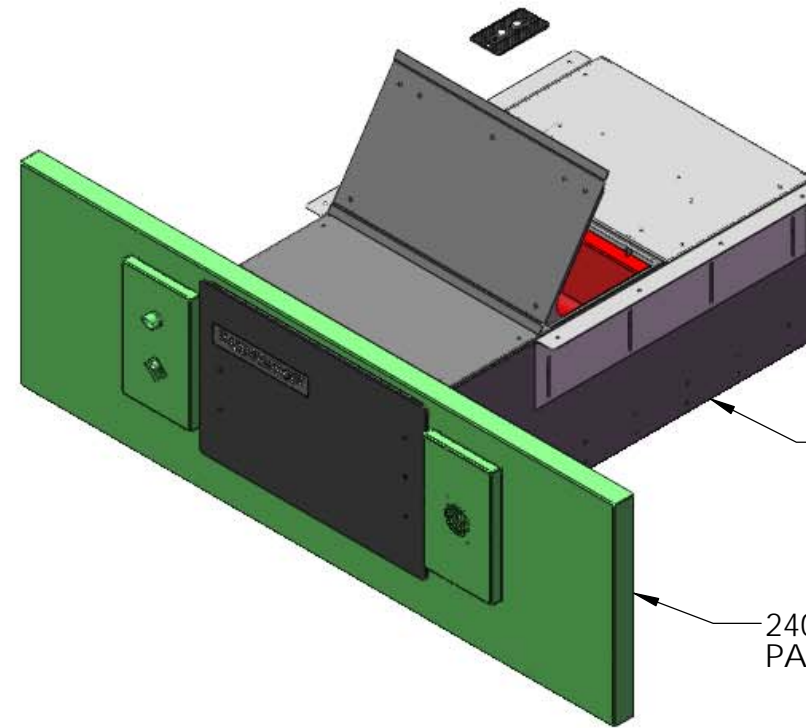
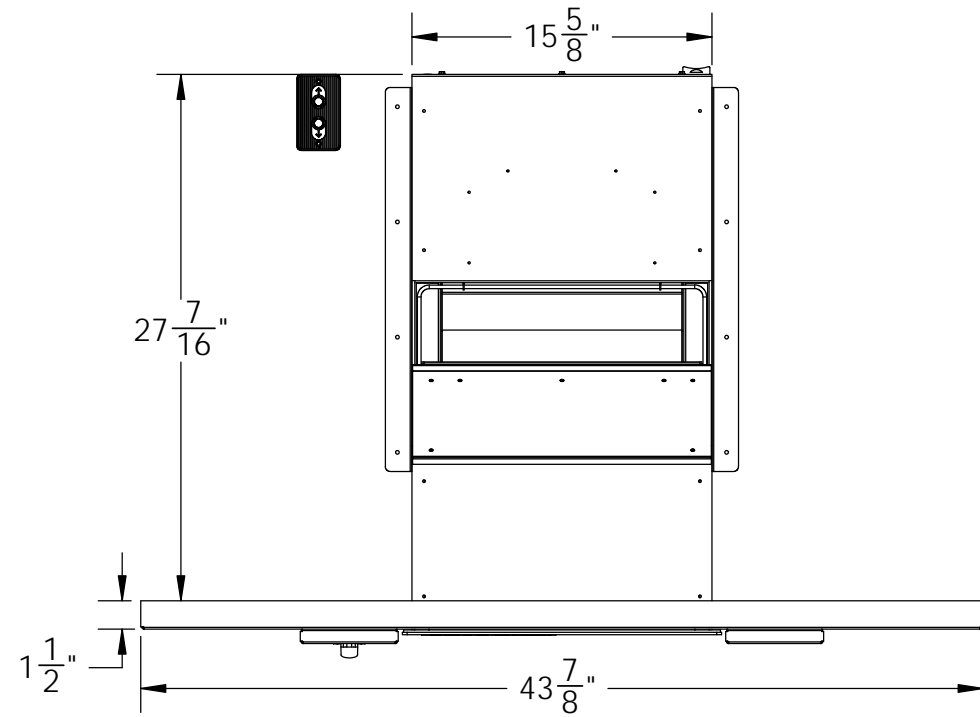
THIS DOCUMENTATION AND INFORMATION CONTAINED ARE THE SOLE PROPERTY OF E.F. BAVIS & ASSOC., INC. IT SHALL BE RETURNED UPON REQUEST AND SHALL NOT BE REPRODUCED IN WHOLE OR IN PART, OR DISCLOSED TO ANYONE ELSE, OR USED, WITHOUT WRITTEN CONSENT OF E.F. BAVIS & ASSOC., INC.



201 GRANDIN RD.
 MAINEVILLE, OH 45039
 T: 513.677.0500
 F: 513.677.0552
 WWW.BAVIS.COM

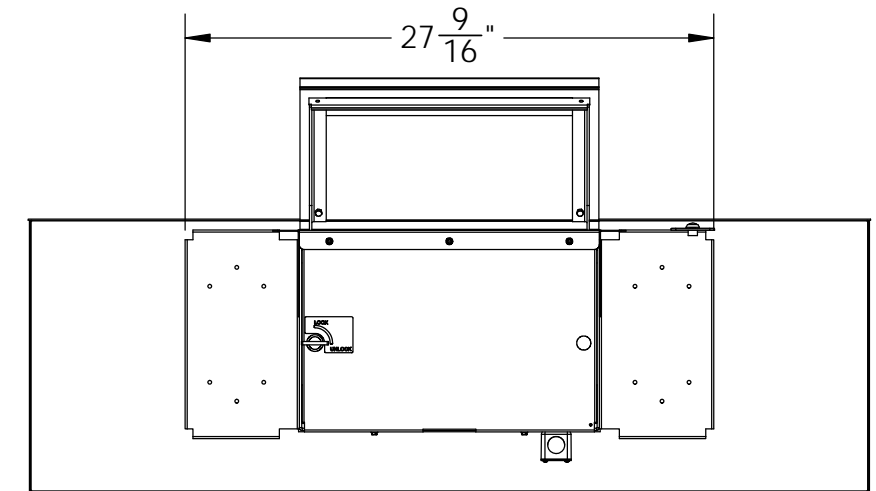
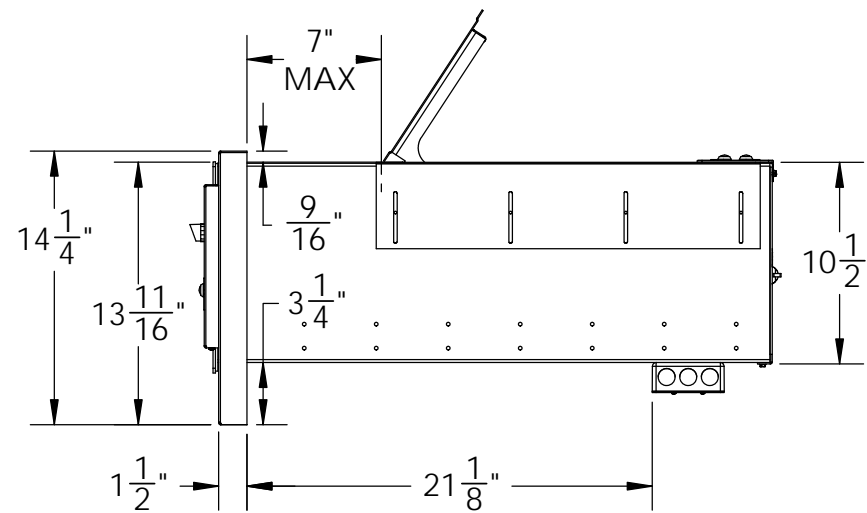
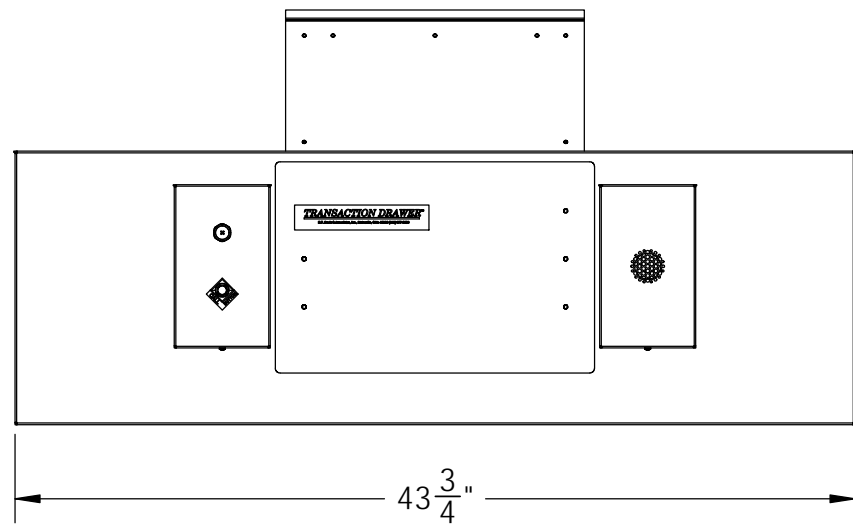
SIGNATURES		DATE	TITLE
DRAWN MJC		05/24/19	35-3/4x13-1/8 TDR PANEL ASSY WITH DRAWER
CHECKED			
ENGR.			
DIMENSIONS ARE IN INCHES	TOLERANCE UNLESS OTHERWISE NOTED:		
UNLESS OTHERWISE SPECIFIED	DECIMAL ±	N/A	
	FRACTION ±	1/32	
ECN 20331	ANGULAR ±	N/A	

SIZE	DRAWING NO.	SHEET	2
B	24068236	OF	2



00500993 TRANSACTION DRAWER (SOLD SEPARATELY)

24068237 - 43-3/4x14-1/4 TDR PANEL ASSY



MATERIAL: 18 GA. STAINLESS STEEL WITH #4 FINISH (CONTACT FACTORY FOR OTHER FINISHES).
 MODEL 00500993 TRANSACTION DRAWER WITH OPERATOR SWITCH IS NOT INCLUDED IN THIS KIT.
 ALL DIMENSIONS AND APPEARANCE ARE SUBJECT TO CHANGE WITHOUT NOTICE.

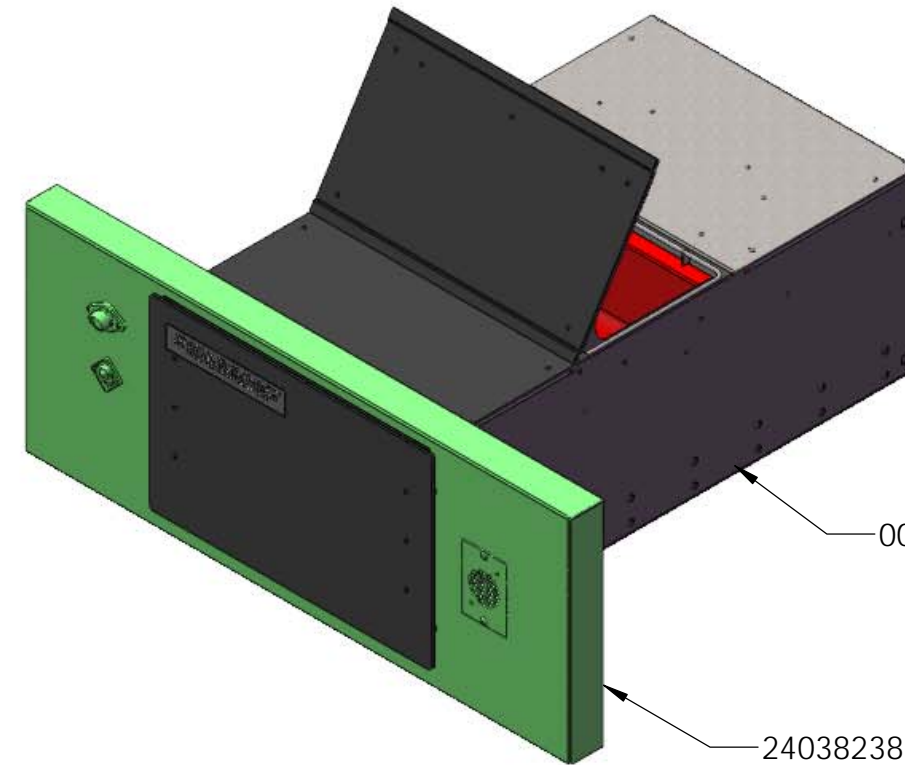
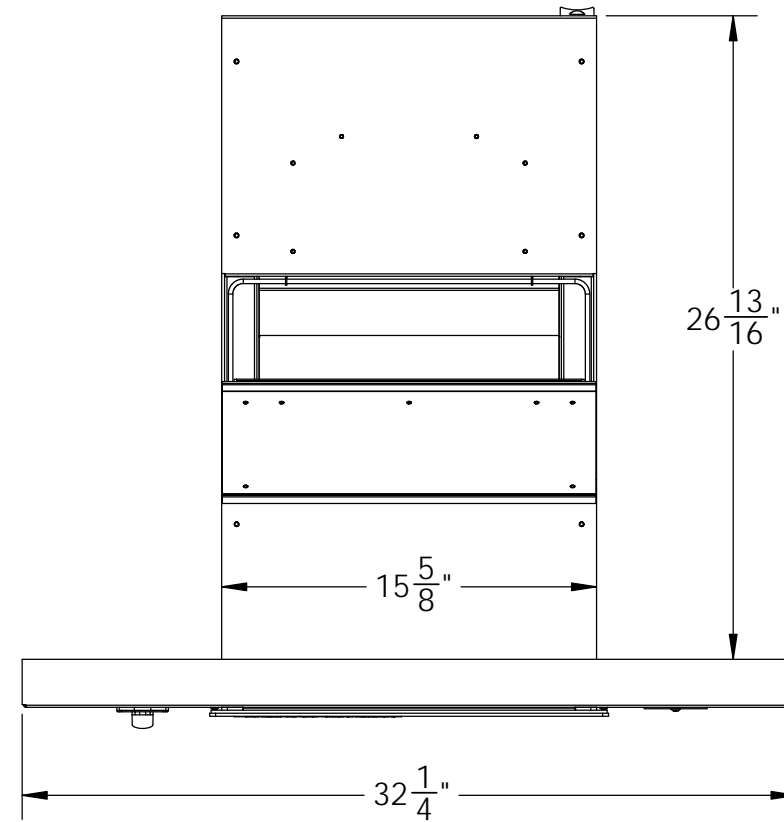
PROPRIETARY
 THIS DOCUMENTATION AND INFORMATION CONTAINED ARE THE SOLE PROPERTY OF E.F.BAVIS & ASSOC., INC. IT SHALL BE RETURNED UPON REQUEST AND SHALL NOT BE REPRODUCED IN WHOLE OR IN PART, OR DISCLOSED TO ANYONE ELSE, OR USED, WITHOUT WRITTEN CONSENT OF E.F. BAVIS & ASSOC., INC.

201 GRANDIN RD.
 MAINEVILLE, OH 45039
 T: 513.677.0500
 F: 513.677.0552
 WWW.BAVIS.COM

SIGNATURES		DATE	TITLE
DRAWN MJC		06/26/19	43-3/4x14-1/4 TDR PANEL ASSY WITH DRAWER
CHECKED			
ENGR.			
DIMENSIONS ARE IN INCHES	TOLERANCE UNLESS OTHERWISE NOTED:		
UNLESS OTHERWISE SPECIFIED	DECIMAL ±	N/A	
	FRACTION ±	1/32	
ECN 20430	ANGULAR ±	N/A	
SIZE B	DRAWING NO. 24068237	SHEET 2 OF 2	Pg. 64

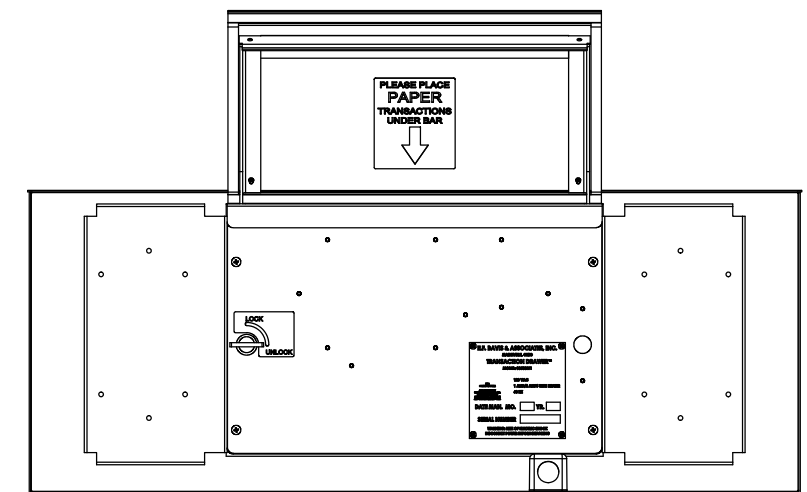
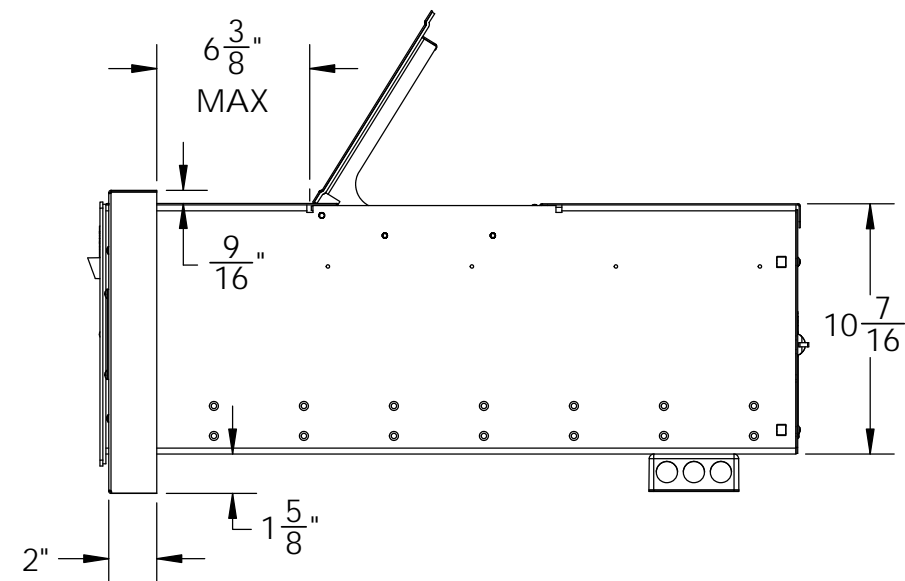
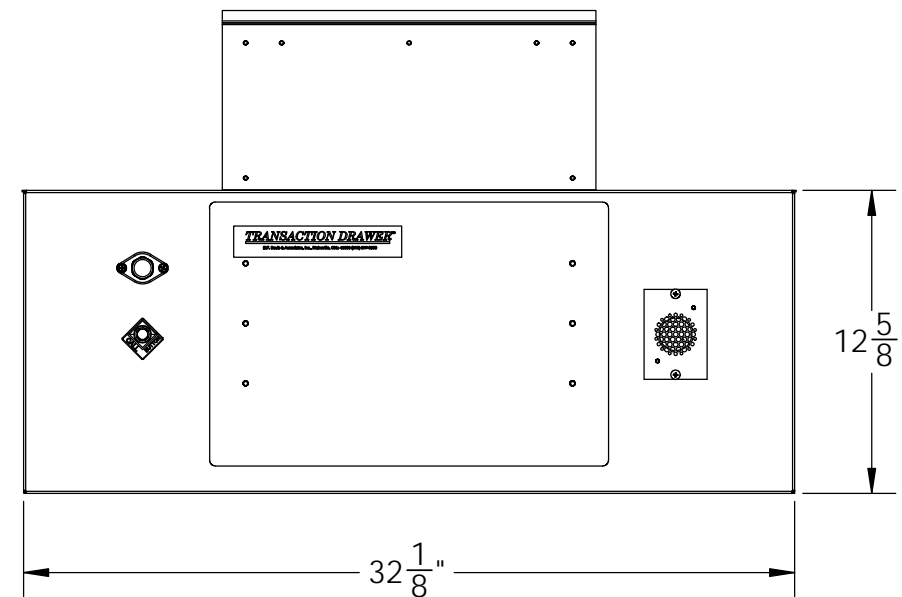
24068238

DATE	ECN	REVISION RECORD	DR	CK
12/03/20	21560	CHANGE FROM 2x3 TO 50mm SPEAKER	MC	DM



00500993 TRANSACTION DRAWER (SOLD SEPARATELY)


24038238 SSE IXD 1100 TDR PANEL ASSY



MATERIAL: 18 GA. STAINLESS STEEL WITH #4 FINISH (CONTACT FACTORY FOR OTHER FINISHES).
 MODEL 00500993 TRANSACTION DRAWER WITH OPERATOR SWITCH IS NOT INCLUDED IN THIS KIT.
 ALL DIMENSIONS AND APPEARANCE ARE SUBJECT TO CHANGE WITHOUT NOTICE.

PROPRIETARY

THIS DOCUMENTATION AND INFORMATION CONTAINED ARE THE SOLE PROPERTY OF E.F. BAVIS & ASSOC., INC. IT SHALL BE RETURNED UPON REQUEST AND SHALL NOT BE REPRODUCED IN WHOLE OR IN PART, OR DISCLOSED TO ANYONE ELSE, OR USED, WITHOUT WRITTEN CONSENT OF E.F. BAVIS & ASSOC., INC.



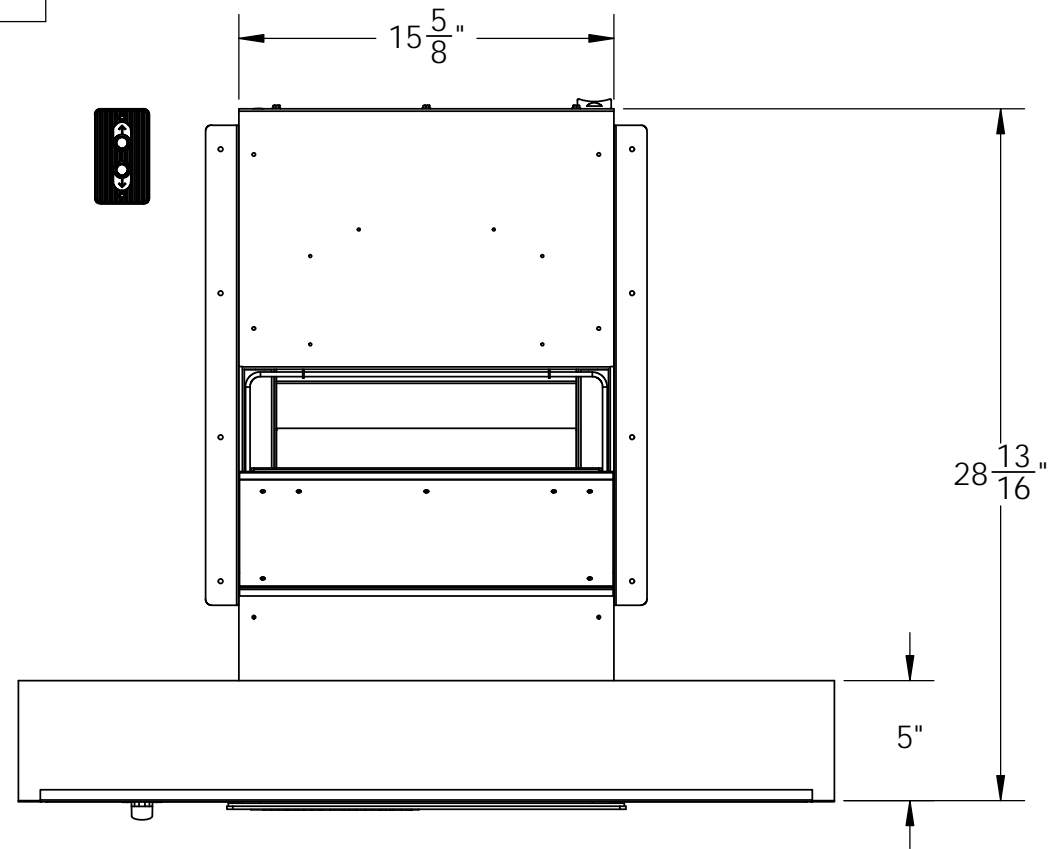
201 GRANDIN RD.
 MAINEVILLE, OH 45039
 T: 513.677.0500
 F: 513.677.0552
 WWW.BAVIS.COM

SIGNATURES		DATE	TITLE
DRAWN		MJC	10/16/19
CHECKED			
ENGR.			
DIMENSIONS ARE IN INCHES		TOLERANCE UNLESS OTHERWISE NOTED:	
UNLESS OTHERWISE SPECIFIED		DECIMAL ±	N/A
ECN		FRACTION ±	1/32
20769		ANGULAR ±	N/A

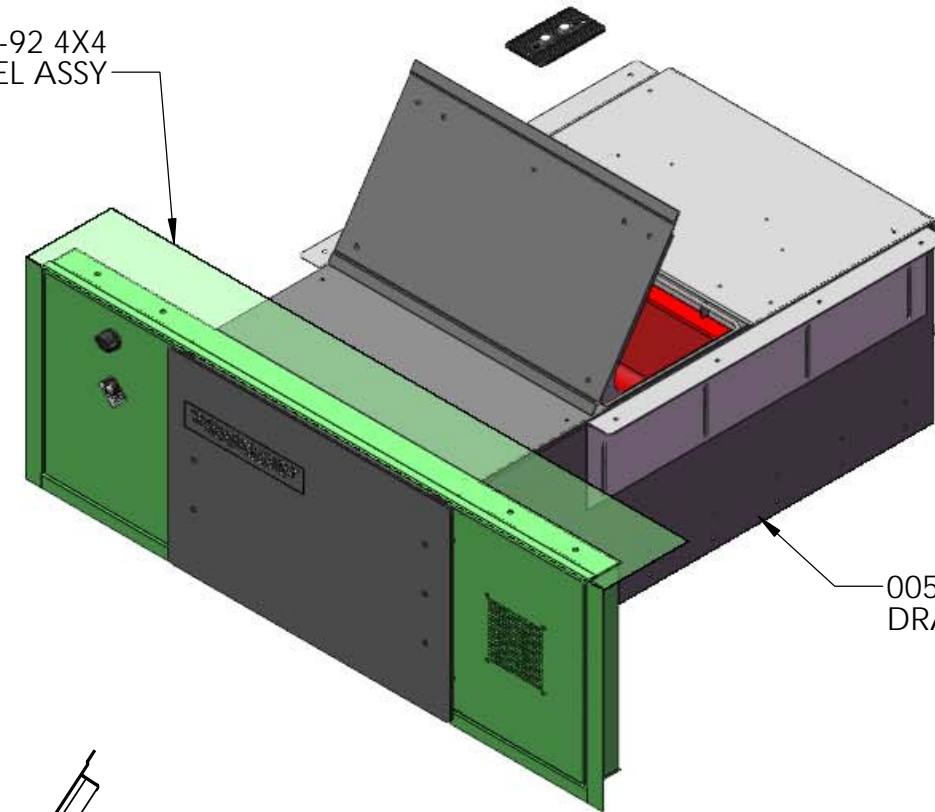
SSE IXD1100 TDR PANEL ASSY

SURFACE MOUNT AUDIO COMPONENTS

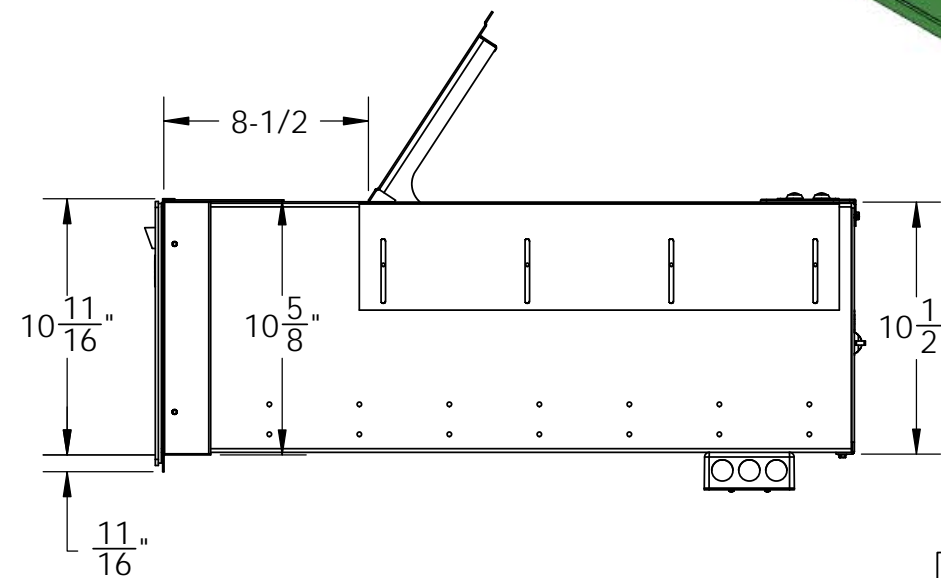
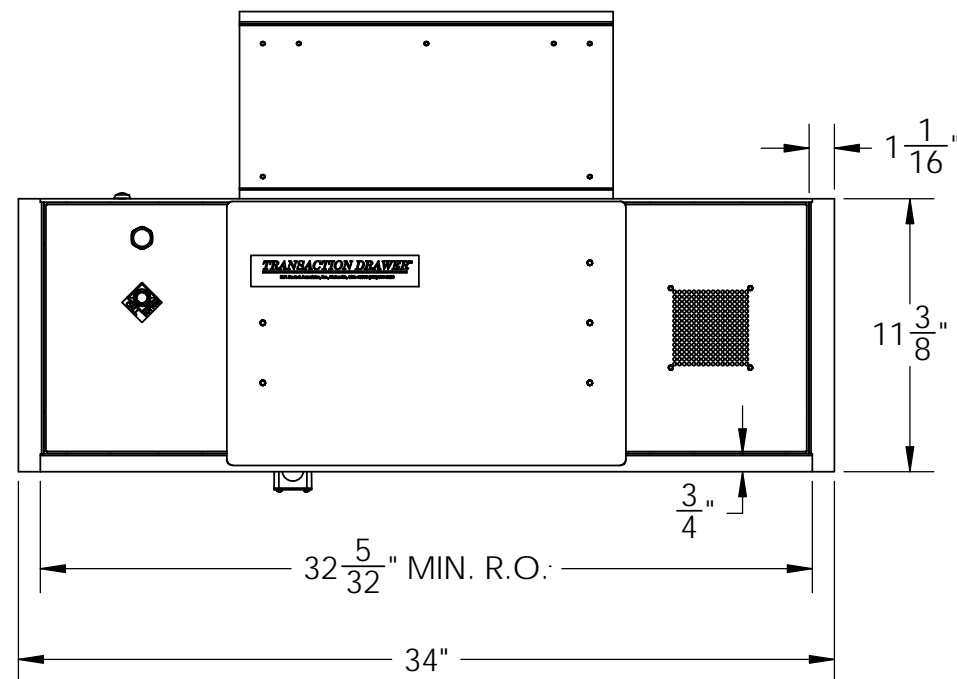
SIZE	DRAWING NO.	SHEET
B	24068238	1
		OF 1



24068239 SSE GS-92 4X4
TDR PANEL ASSY



00500993 TRANSACTION
DRAWER (SOLD SEPARATELY)

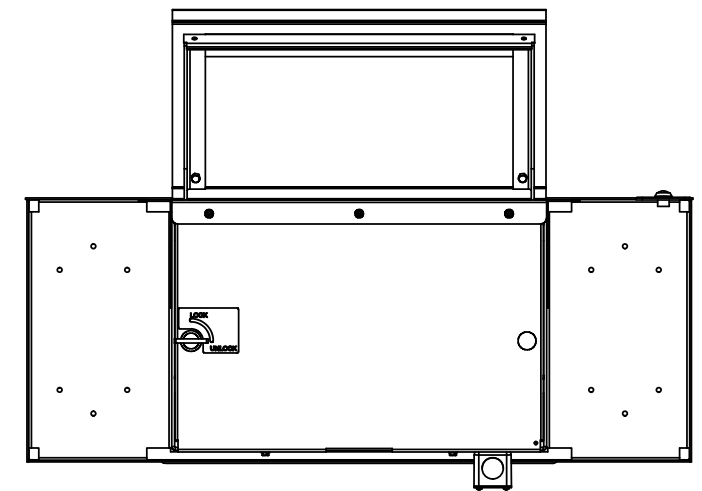
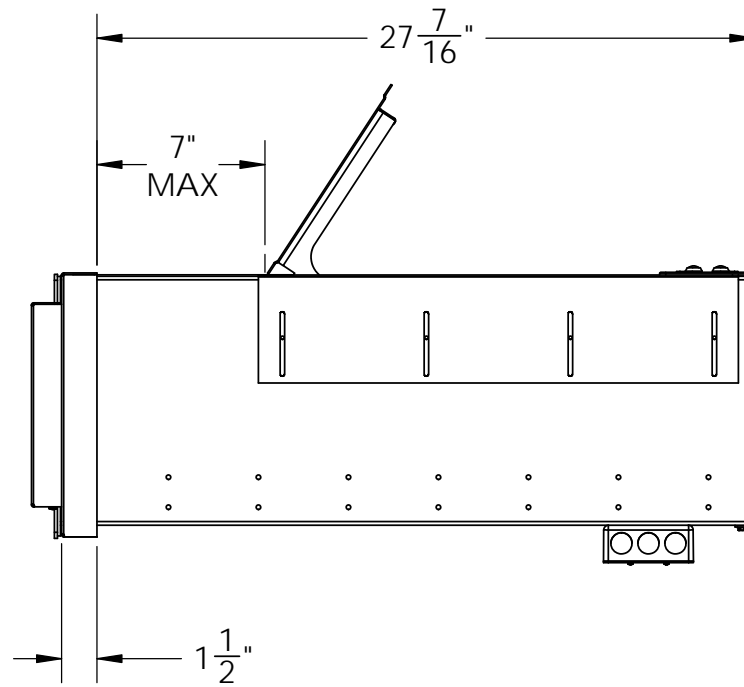
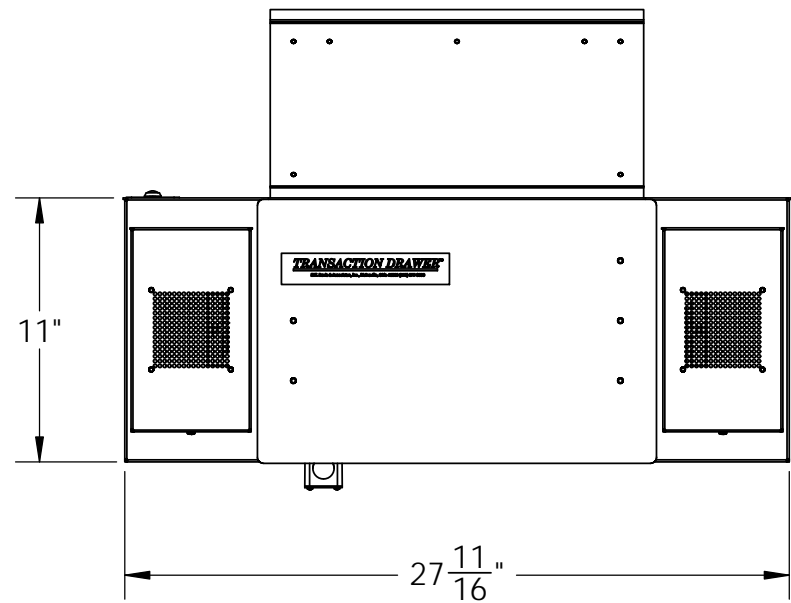
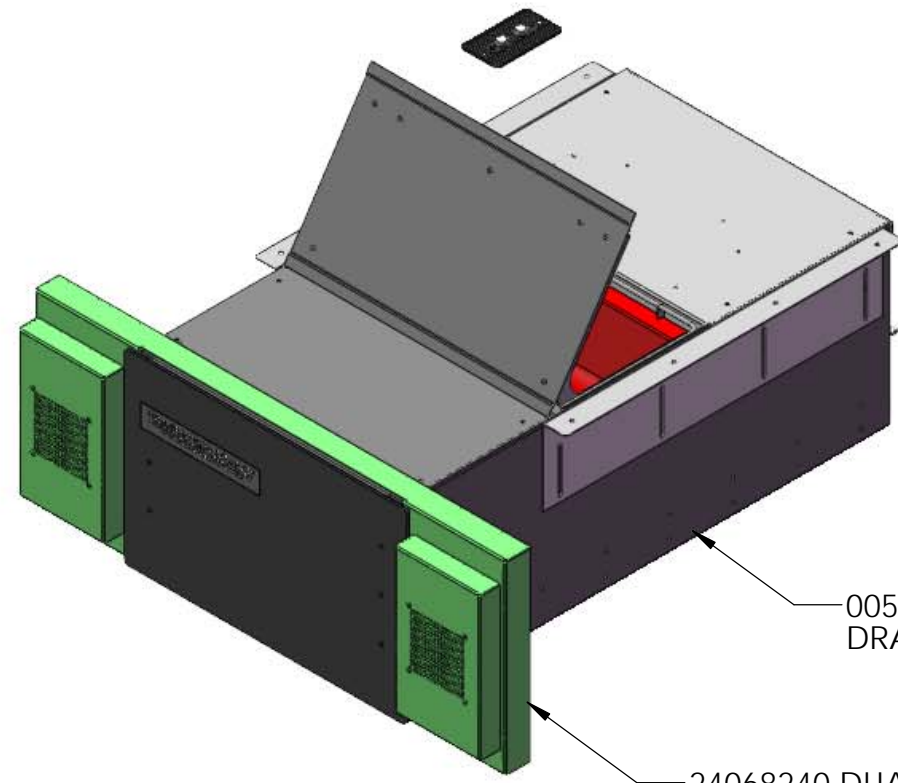
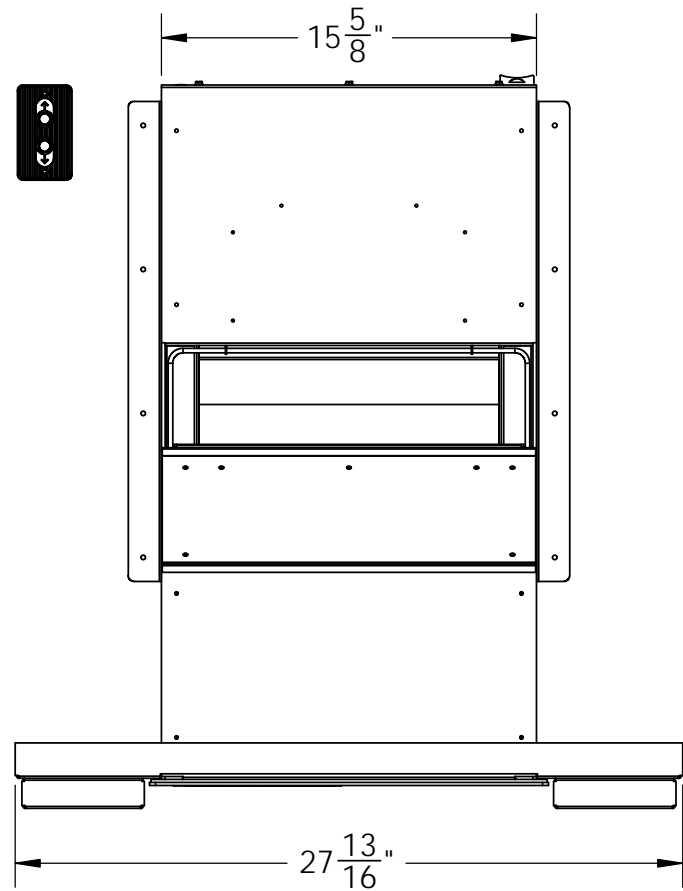


MATERIAL: 18 GA. STAINLESS STEEL WITH #4 FINISH (CONTACT FACTORY FOR OTHER FINISHES).
 4x4 SPEAKER AND CABLE ARE NOT INCLUDED IN THIS ASSEMBLY
 MODEL 00500993 TRANSACTION DRAWER WITH OPERATOR SWITCH IS NOT INCLUDED IN THIS KIT.
 ALL DIMENSIONS AND APPEARANCE ARE SUBJECT TO CHANGE WITHOUT NOTICE.

PROPRIETARY
 THIS DOCUMENTATION AND INFORMATION CONTAINED ARE THE SOLE PROPERTY OF E.F. BAVIS & ASSOC., INC.
 IT SHALL BE RETURNED UPON REQUEST AND SHALL NOT BE REPRODUCED IN WHOLE OR IN PART,
 OR DISCLOSED TO ANYONE ELSE, OR USED, WITHOUT WRITTEN CONSENT OF E.F. BAVIS & ASSOC., INC.



SIGNATURES		DATE	TITLE
DRAWN MJC		03/04/20	SSE GS-92 4x4 TDR PANEL ASSY
CHECKED			
ENGR.			
DIMENSIONS ARE IN INCHES		TOLERANCE UNLESS OTHERWISE NOTED:	
UNLESS OTHERWISE SPECIFIED		DECIMAL ± N/A	
ECN 20847		FRACTION ± 1/32	
		ANGULAR ± N/A	
SIZE B	DRAWING NO. 24068239	SHEET 1 OF 1	Pg. 66



MATERIAL: 16 GA. STEEL WITH BLACK POWDER COAT FINISH (CONTACT FACTORY FOR OTHER FINISHES).
 MODEL 00500993 TRANSACTION DRAWER WITH OPERATOR SWITCH IS NOT INCLUDED IN THIS KIT.
 ALL DIMENSIONS AND APPEARANCE ARE SUBJECT TO CHANGE WITHOUT NOTICE.

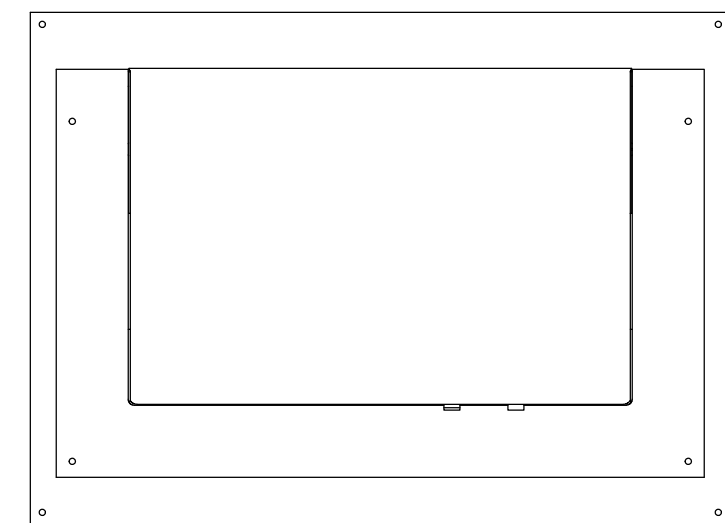
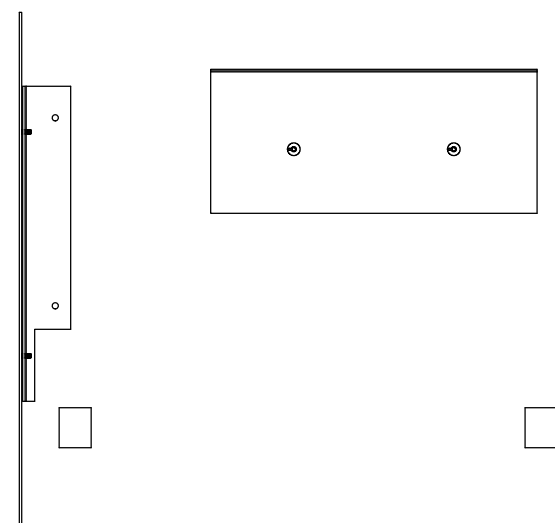
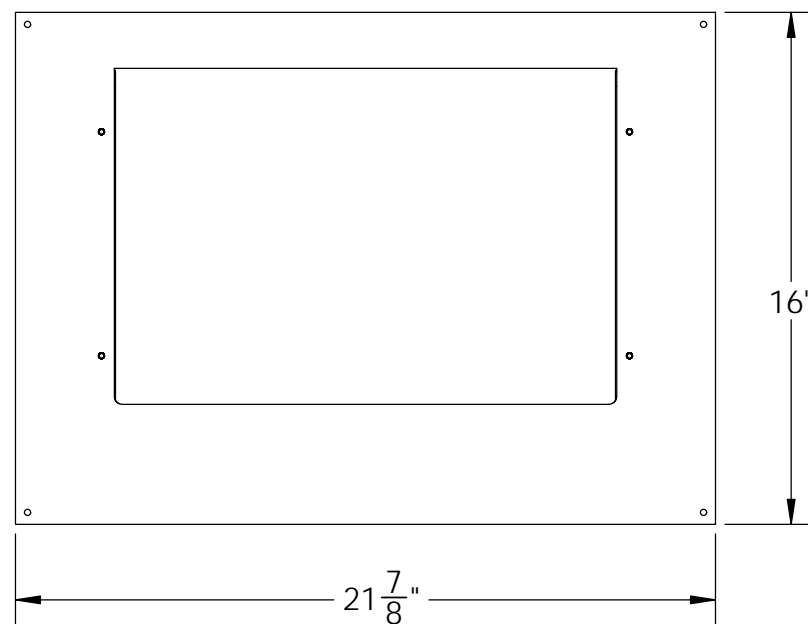
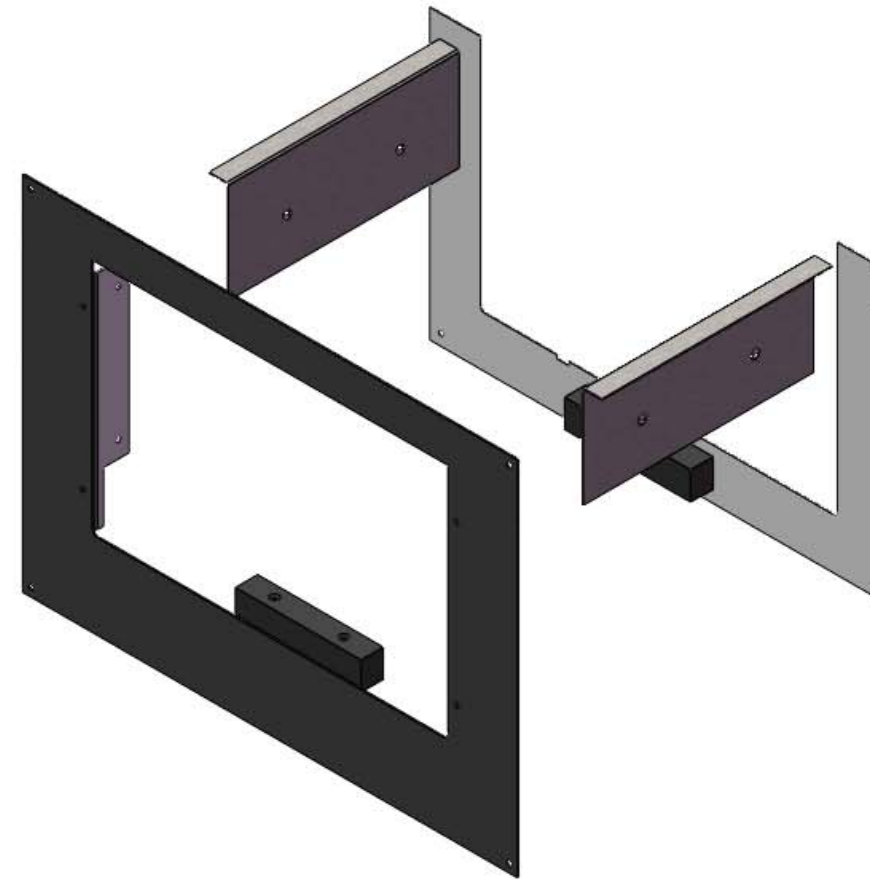
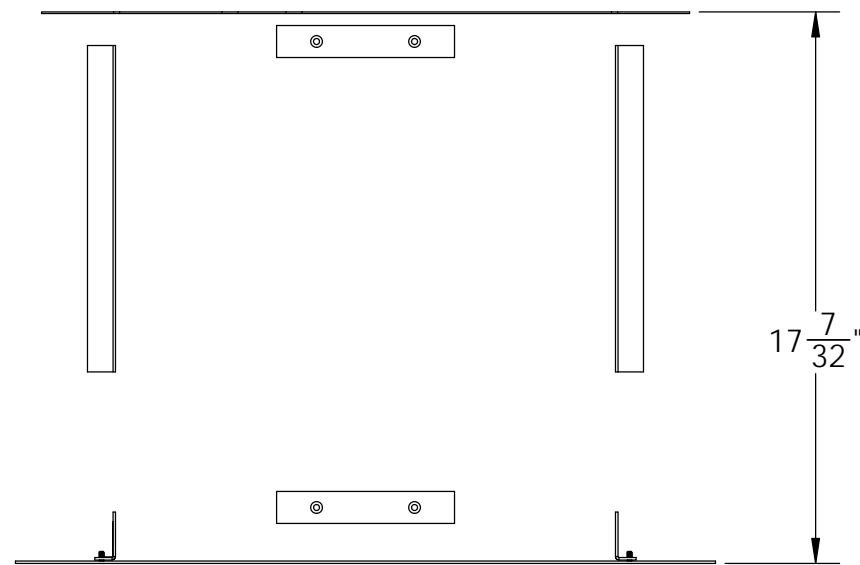
PROPRIETARY
 THIS DOCUMENTATION AND INFORMATION CONTAINED ARE THE SOLE PROPERTY OF E.F. BAVIS & ASSOC., INC. IT SHALL BE RETURNED UPON REQUEST AND SHALL NOT BE REPRODUCED IN WHOLE OR IN PART, OR DISCLOSED TO ANYONE ELSE, OR USED, WITHOUT WRITTEN CONSENT OF E.F. BAVIS & ASSOC., INC.

201 GRANDIN RD.
 MAINEVILLE, OH 45039
 T: 513.677.0500
 F: 513.677.0552
 WWW.BAVIS.COM

SIGNATURES		DATE	TITLE
DRAWN MJC		04/17/20	DUAL 4X4 PATTERN AUDIO PANEL
CHECKED			
ENGR.			
DIMENSIONS ARE IN INCHES		TOLERANCE UNLESS OTHERWISE NOTED:	
UNLESS OTHERWISE SPECIFIED		DECIMAL ±	N/A
ECN 20849		FRACTION ±	1/32
		ANGULAR ±	N/A
SIZE B	DRAWING NO. 24068240	SHEET 1 OF 1	Pg. 67

24068241


DATE	ECN	REVISION RECORD	DR	CK
04/02/21	21762	RE-ACTIVATE PART	MR	DM



MATERIAL: 18 GA. STAINLESS STEEL WITH #4 FINISH
 ALL DIMENSIONS AND APPEARANCE ARE SUBJECT TO CHANGE WITHOUT NOTICE

PROPRIETARY

THIS DOCUMENTATION AND INFORMATION CONTAINED ARE THE SOLE PROPERTY OF E.F. BAVIS & ASSOC., INC. IT SHALL BE RETURNED UPON REQUEST AND SHALL NOT BE REPRODUCED IN WHOLE OR IN PART, OR DISCLOSED TO ANYONE ELSE, OR USED, WITHOUT WRITTEN CONSENT OF E.F. BAVIS & ASSOC., INC.

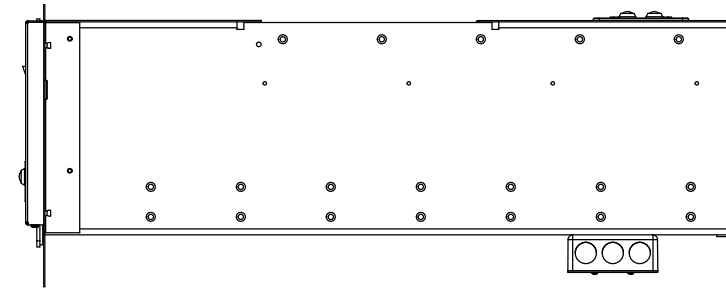
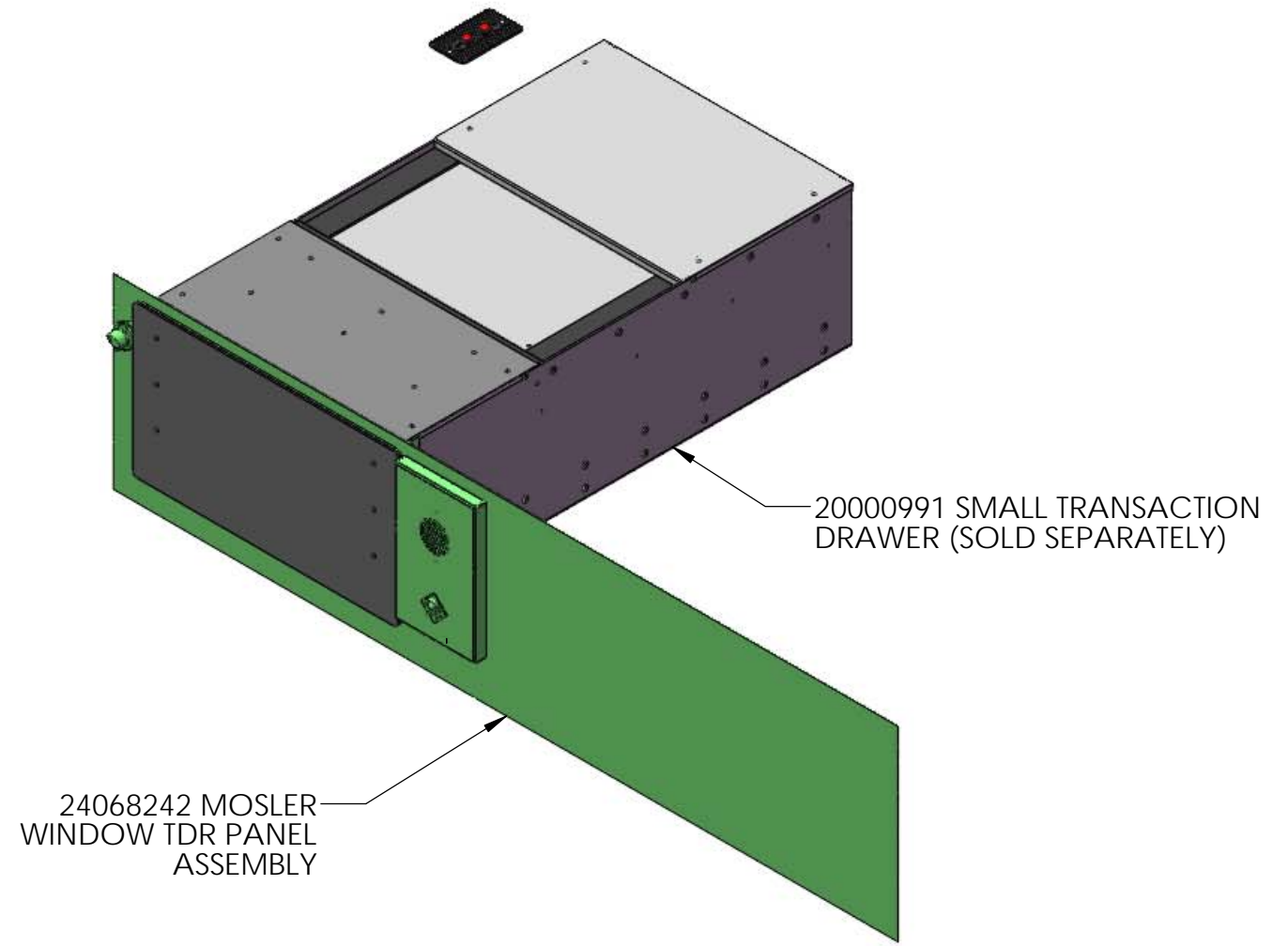
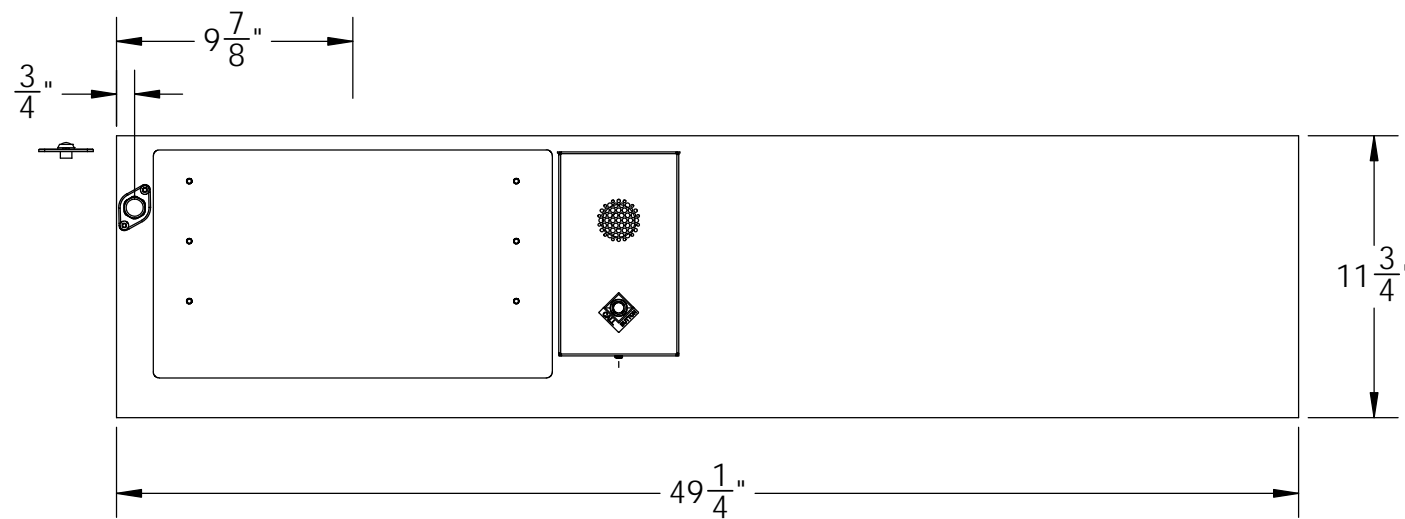
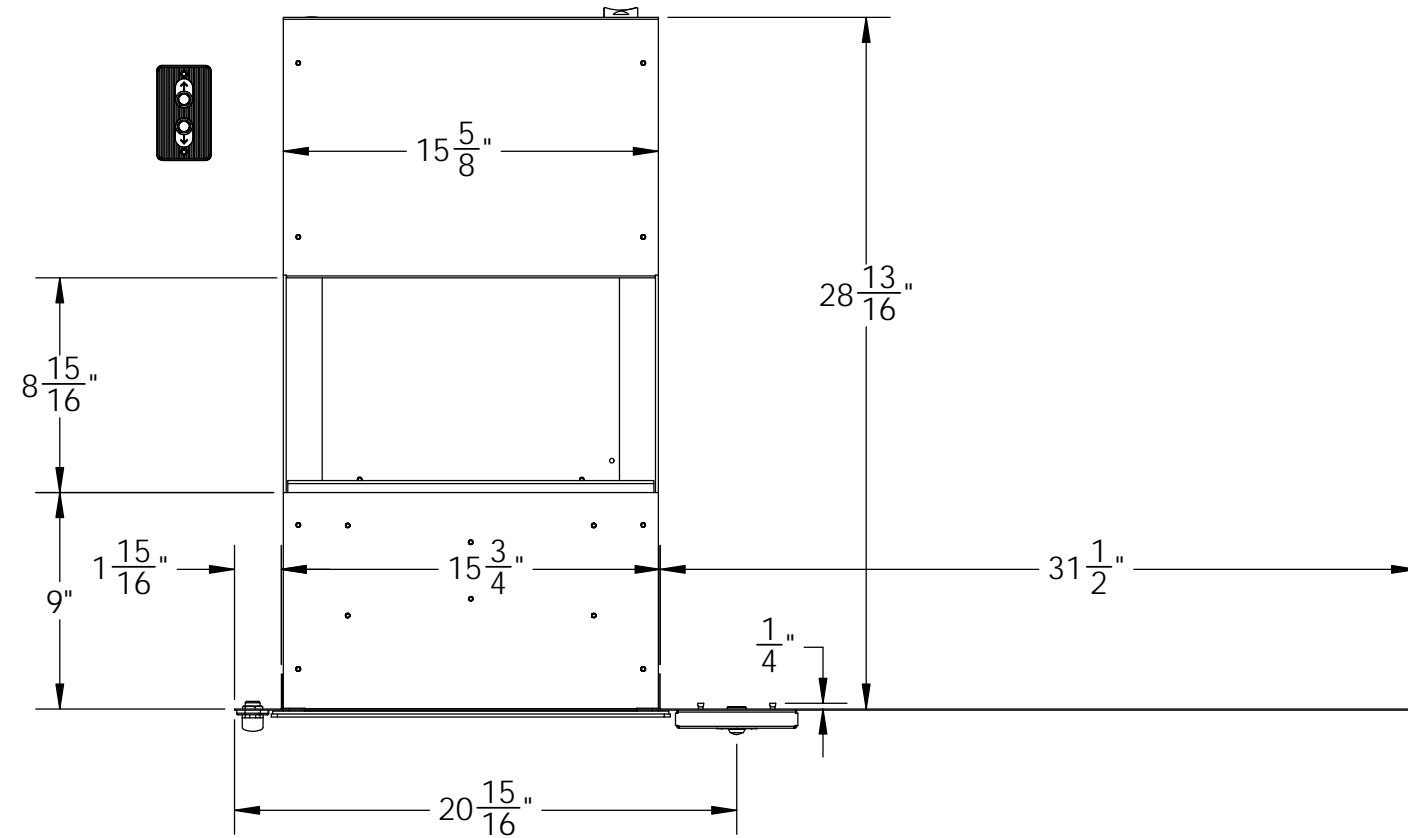


201 GRANDIN RD.
 MAINEVILLE, OH 45039
 T: 513.677.0500
 F: 513.677.0552
 WWW.BAVIS.COM

SIGNATURES		DATE	TITLE
DRAWN		MJC	03/02/20
CHECKED		DAM	03/02/20
ENGR.			
DIMENSIONS ARE IN INCHES		TOLERANCE UNLESS OTHERWISE NOTED:	
UNLESS OTHERWISE SPECIFIED		DECIMAL ±	N/A
ECN		FRACTION ±	1/32
21076		ANGULAR ±	N/A

HWD RETROFIT PANEL

SIZE	DRAWING NO.	SHEET	OF
B	24068241	1	1

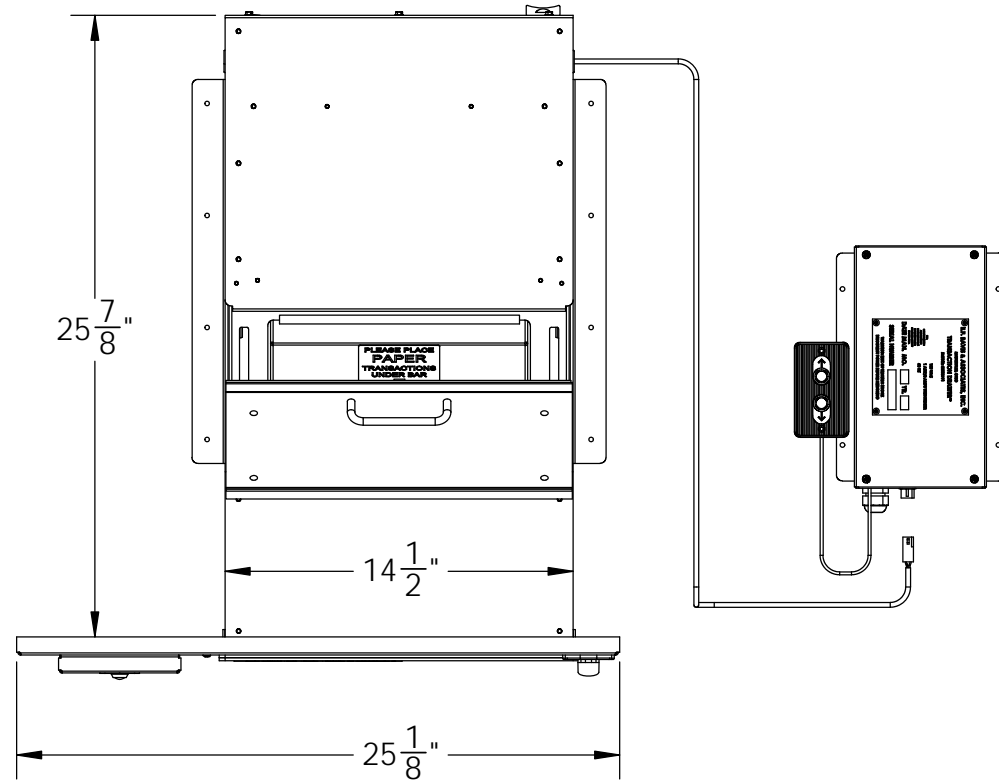


MATERIAL: 18 GA. STAINLESS STEEL WITH #4 FINISH (CONTACT FACTORY FOR OTHER FINISHES).
 MODEL 20000991 SMALL TRANSACTION DRAWER WITH OPERATOR SWITCH IS NOT INCLUDED IN THIS KIT.
 ALL DIMENSIONS AND APPEARANCE ARE SUBJECT TO CHANGE WITHOUT NOTICE.

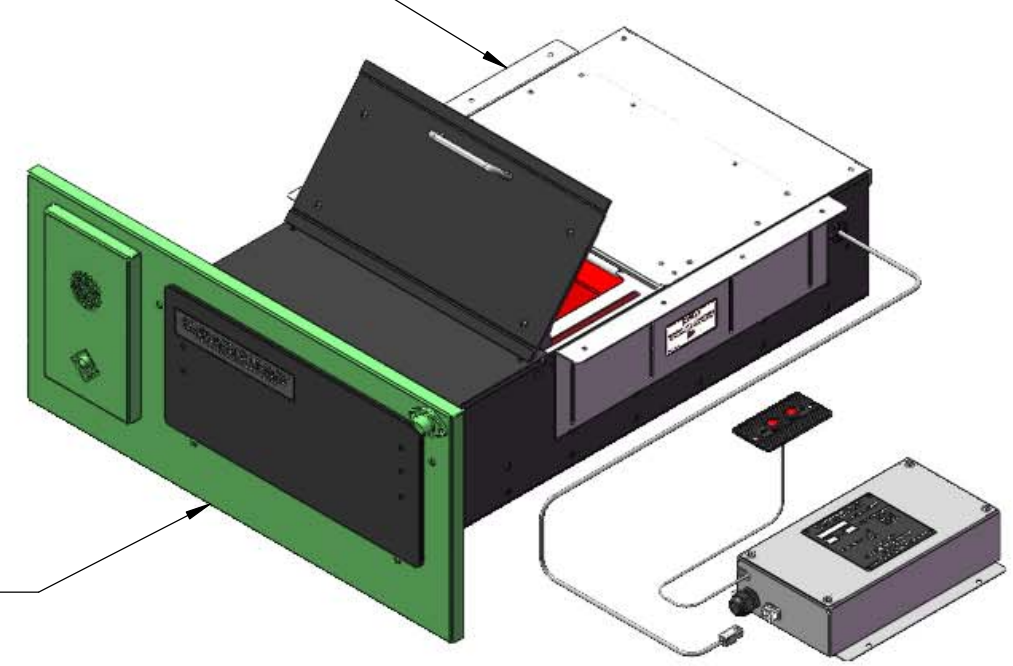
PROPRIETARY
 THIS DOCUMENTATION AND INFORMATION CONTAINED ARE THE SOLE PROPERTY OF E.F. BAVIS & ASSOC., INC. IT SHALL BE RETURNED UPON REQUEST AND SHALL NOT BE REPRODUCED IN WHOLE OR IN PART, OR DISCLOSED TO ANYONE ELSE, OR USED, WITHOUT WRITTEN CONSENT OF E.F. BAVIS & ASSOC., INC.

201 GRANDIN RD.
 MAINEVILLE, OH 45039
 T: 513.677.0500
 F: 513.677.0552
 WWW.BAVIS.COM

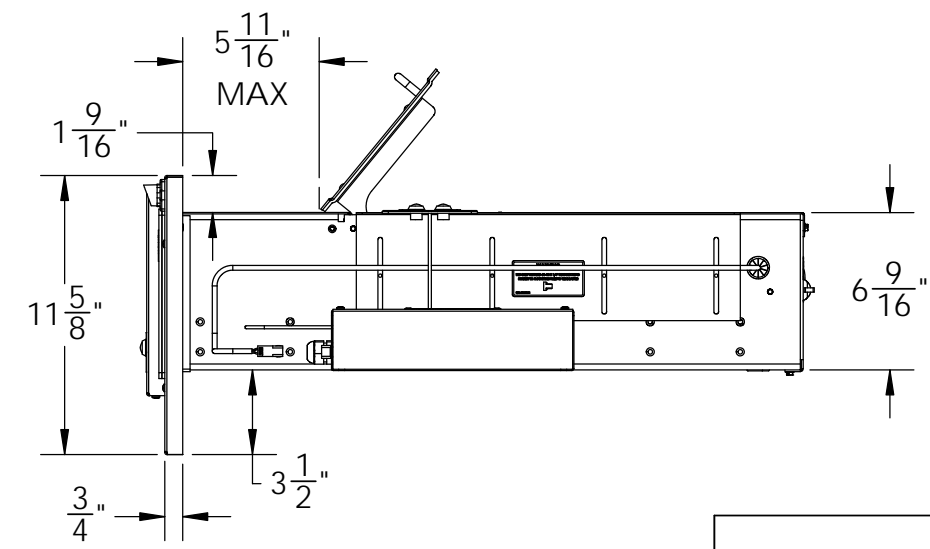
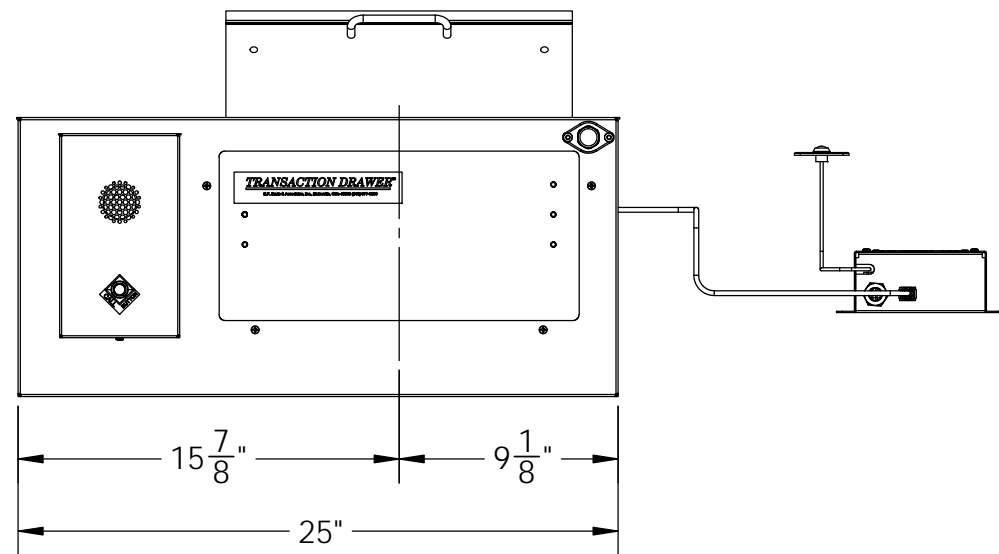
SIGNATURES		DATE	TITLE
DRAWN MJC		02/18/20	MOSLER WINDOW TDR PANEL ASSEMBLY
CHECKED DAM		02/18/20	
ENGR.			
DIMENSIONS ARE IN INCHES UNLESS OTHERWISE SPECIFIED	TOLERANCE UNLESS OTHERWISE NOTED:		SIZE B
	DECIMAL ±	N/A	
ECN	FRACTION ±	1/32	DRAWING NO.
21086	ANGULAR ±	N/A	24068242
			SHEET 1 OF 1



30000991 EXTRA SMALL DRAWER (SOLD SEPARATELY)




24068243 OFF SET MOSLER TDR PANEL ASSEMBLY



MATERIAL: 18 GA. STAINLESS STEEL WITH #4 FINISH (CONTACT FACTORY FOR OTHER FINISHES).
 MODEL 30000991 EXTRA SMALL DRAWER WITH OPERATOR SWITCH IS NOT INCLUDED IN THIS KIT.
 ALL DIMENSIONS AND APPEARANCE ARE SUBJECT TO CHANGE WITHOUT NOTICE.

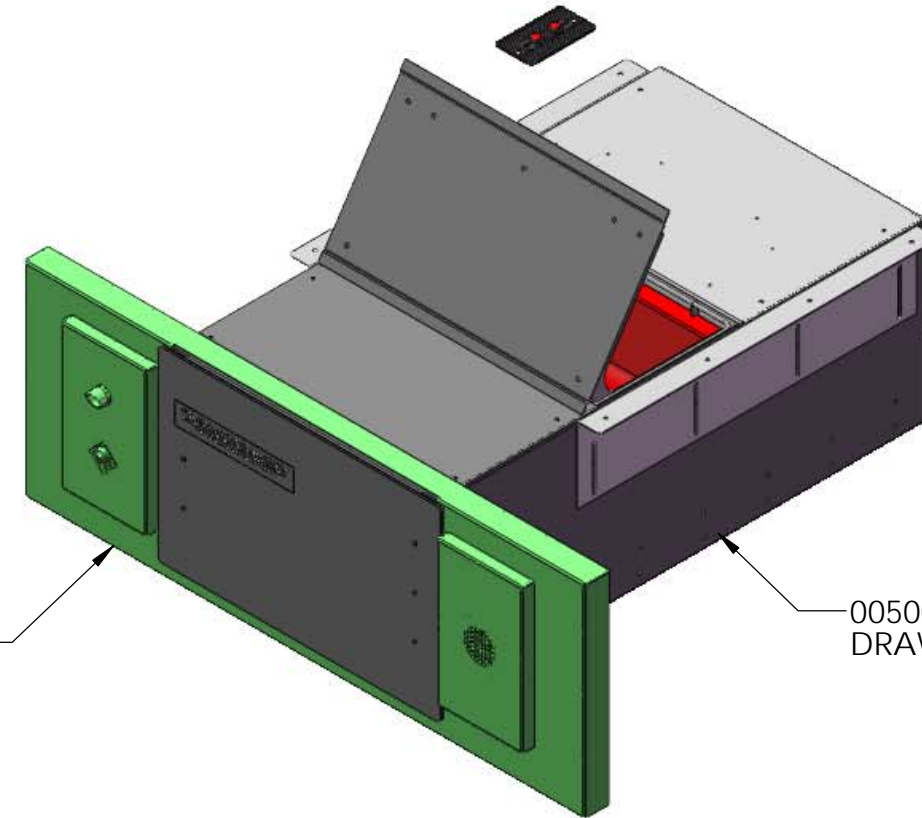
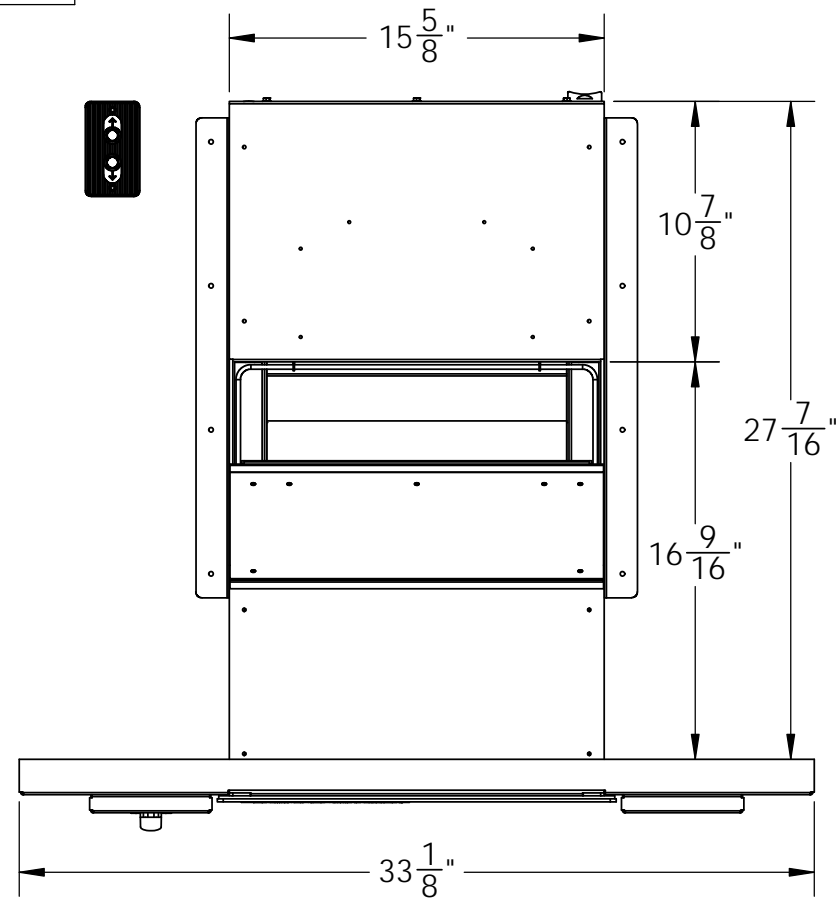
PROPRIETARY

THIS DOCUMENTATION AND INFORMATION CONTAINED ARE THE SOLE PROPERTY OF E.F.BAVIS & ASSOC., INC. IT SHALL BE RETURNED UPON REQUEST AND SHALL NOT BE REPRODUCED IN WHOLE OR IN PART, OR DISCLOSED TO ANYONE ELSE, OR USED, WITHOUT WRITTEN CONSENT OF E.F. BAVIS & ASSOC., INC.



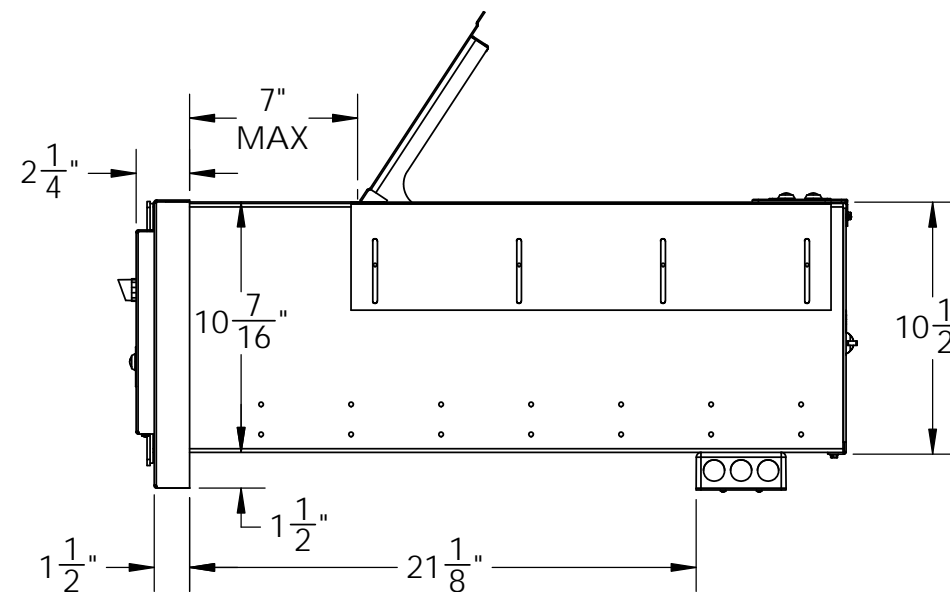
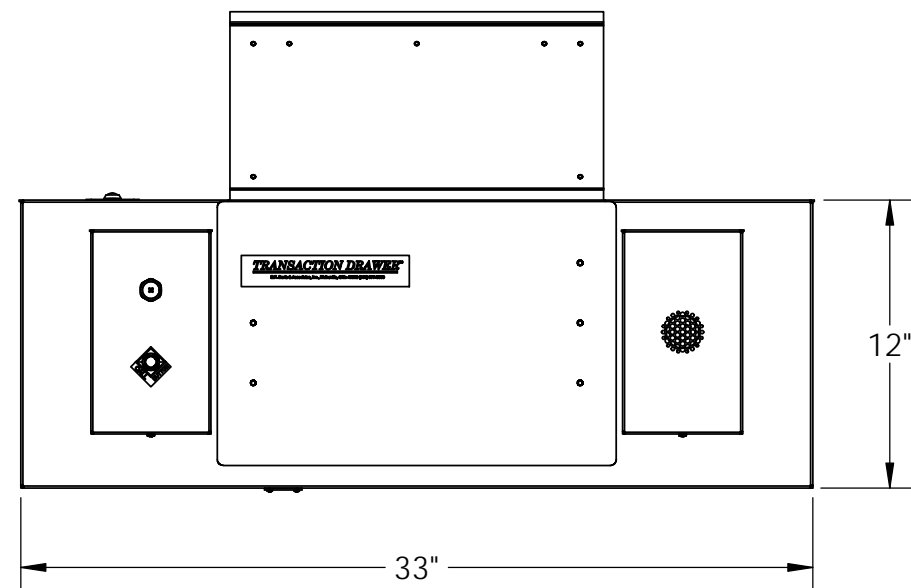
201 GRANDIN RD.
 MAINEVILLE, OH 45039
 T: 513.677.0500
 F: 513.677.0552
 WWW.BAVIS.COM

SIGNATURES		DATE	TITLE
DRAWN MJC		04/14/20	OFFSET MOSLER TDR PANEL ASSEMBLY
CHECKED DAM		04/14/20	
ENGR.			
DIMENSIONS ARE IN INCHES		TOLERANCE UNLESS OTHERWISE NOTED:	
UNLESS OTHERWISE SPECIFIED		DECIMAL ± N/A	SHOWN WITH 30000991 DRAWER
ECN 21273		FRACTION ± 1/32	
		ANGULAR ± N/A	
SIZE B	DRAWING NO. 24068243	SHEET 1 OF 1	



24068244 MOSLER TDR
33X12 TD PANEL ASSEMBLY


00500993 TRANSACTION
DRAWER (SOLD SEPARATELY)



MATERIAL: 18 GA. STAINLESS STEEL WITH #4 FINISH (CONTACT FACTORY FOR OTHER FINISHES).
 MODEL 00500993 TRANSACTION DRAWER WITH OPERATOR SWITCH IS NOT INCLUDED IN THIS KIT.
 ALL DIMENSIONS AND APPEARANCE ARE SUBJECT TO CHANGE WITHOUT NOTICE.

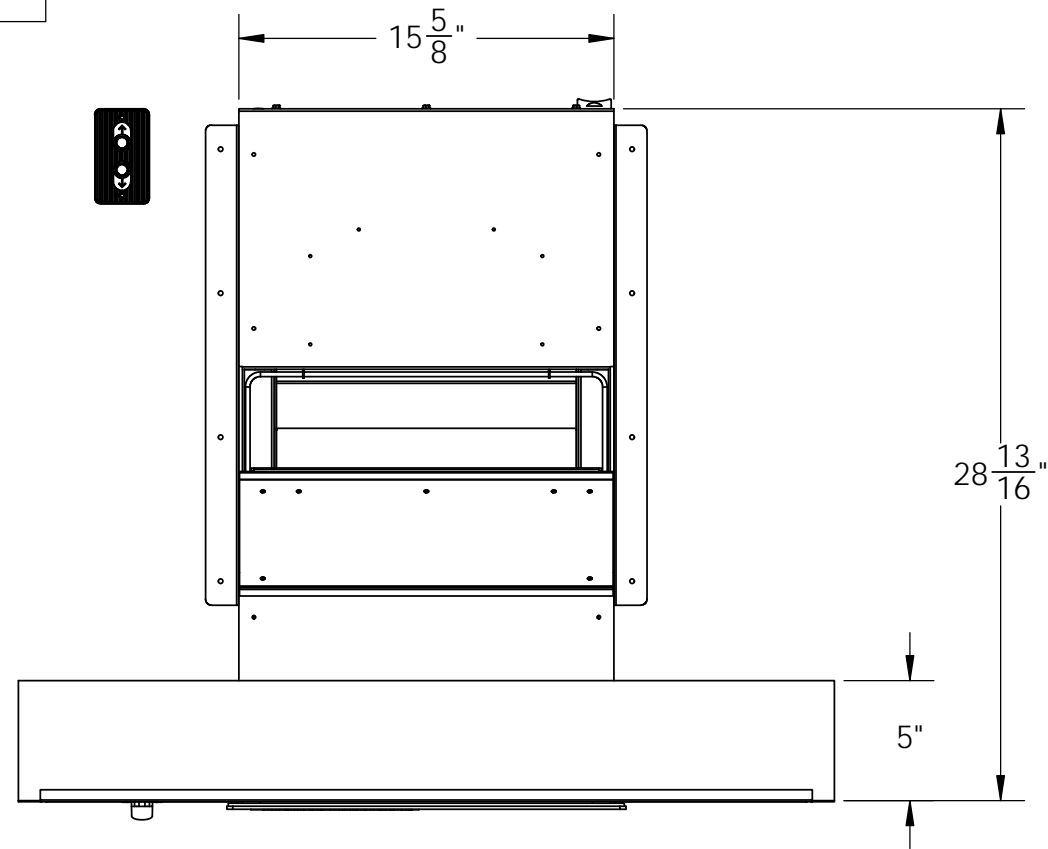
PROPRIETARY

THIS DOCUMENTATION AND INFORMATION CONTAINED ARE THE SOLE PROPERTY OF E.F. BAVIS & ASSOC., INC. IT SHALL BE RETURNED UPON REQUEST AND SHALL NOT BE REPRODUCED IN WHOLE OR IN PART, OR DISCLOSED TO ANYONE ELSE, OR USED, WITHOUT WRITTEN CONSENT OF E.F. BAVIS & ASSOC., INC.

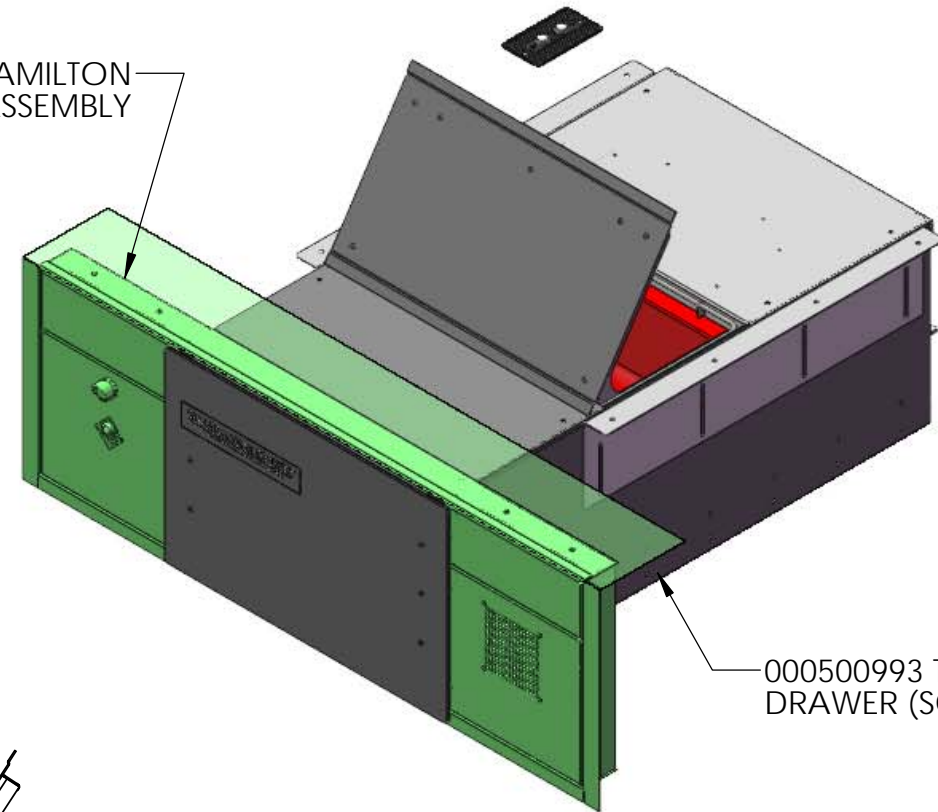


201 GRANDIN RD.
MAINEVILLE, OH 45039
T: 513.677.0500
F: 513.677.0552
WWW.BAVIS.COM

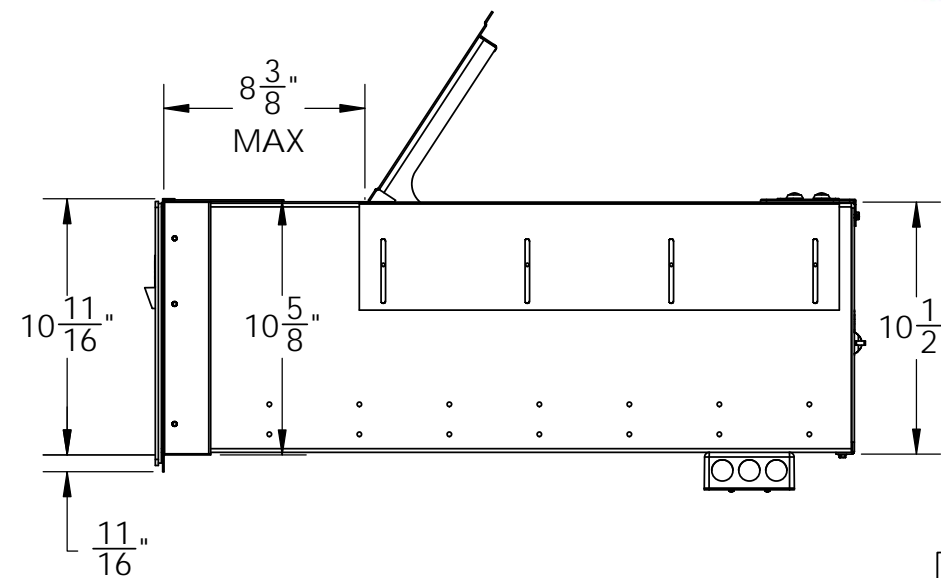
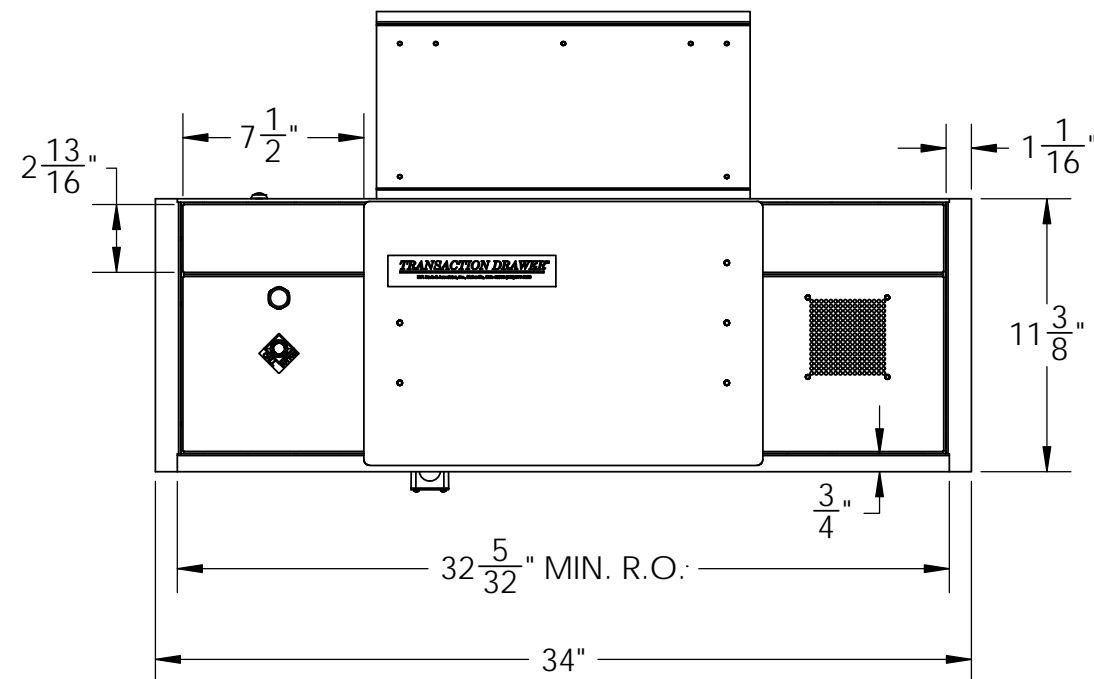
SIGNATURES	DATE	TITLE
DRAWN: MJC	05/29/20	MOSLER TDR 33x12 TD PANEL ASSEMBLY SHOWN WITH 00500993 DRAWER
CHECKED:		
ENGR.:		
DIMENSIONS ARE IN INCHES UNLESS OTHERWISE SPECIFIED	TOLERANCE UNLESS OTHERWISE NOTED: DECIMAL ± N/A FRACTION ± 1/32 ANGULAR ± N/A	SIZE: B DRAWING NO. 24068244 SHEET 2 OF 2



24068245 SSE GS-92 & HAMILTON
400 TDR SPLIT PANEL ASSEMBLY



000500993 TRANSACTION
DRAWER (SOLD SEPARATELY)



MATERIAL: 18 GA. STAINLESS STEEL WITH #4 FINISH (CONTACT FACTORY FOR OTHER FINISHES).
 MODEL 00500993 TRANSACTION DRAWER WITH OPERATOR SWITCH IS NOT INCLUDED IN THIS KIT.
 A SPEAKER IS NOT INCLUDED IN THIS KIT
 ALL DIMENSIONS AND APPEARANCE ARE SUBJECT TO CHANGE WITHOUT NOTICE.

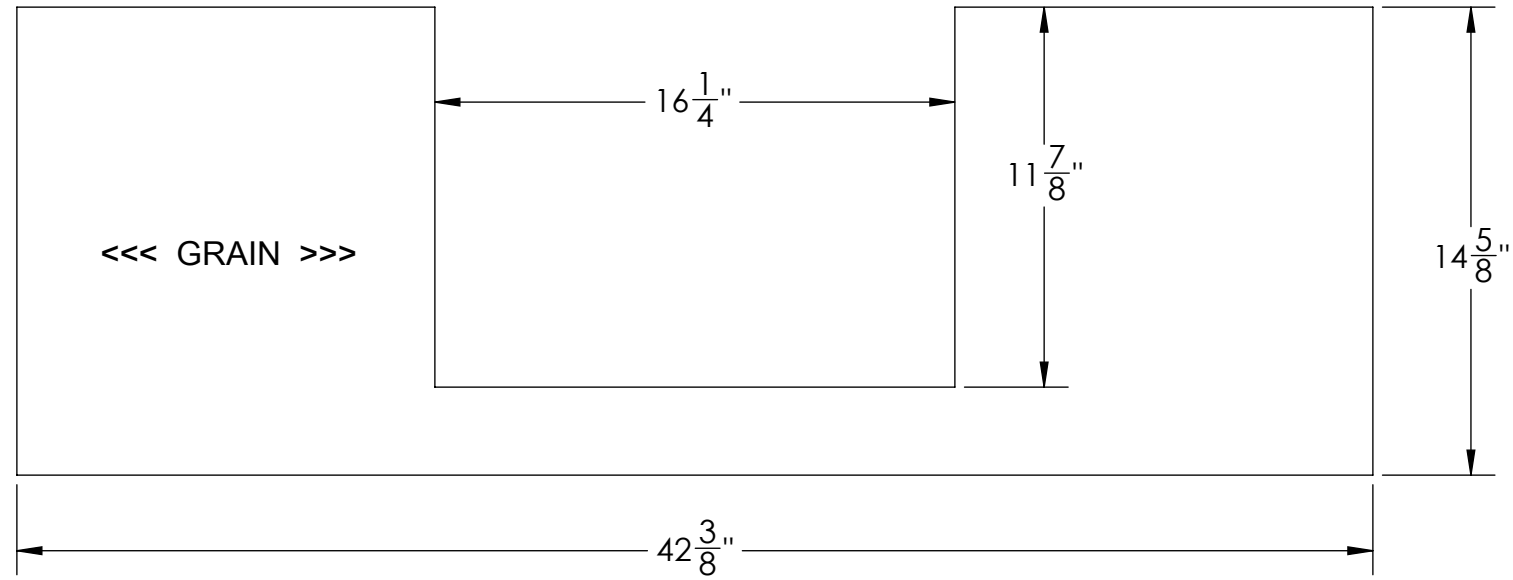
PROPRIETARY

THIS DOCUMENTATION AND INFORMATION CONTAINED ARE THE SOLE PROPERTY OF E.F. BAVIS & ASSOC., INC. IT SHALL BE RETURNED UPON REQUEST AND SHALL NOT BE REPRODUCED IN WHOLE OR IN PART, OR DISCLOSED TO ANYONE ELSE, OR USED, WITHOUT WRITTEN CONSENT OF E.F. BAVIS & ASSOC., INC.



201 GRANDIN RD.
 MAINEVILLE, OH 45039
 T: 513.677.0500
 F: 513.677.0552
 WWW.BAVIS.COM

SIGNATURES	DATE	TITLE
DRAWN: MJC	08/12/20	SSE GS-92 & HAMILTON 400 TDR SPLIT PANEL ASSEMBLY
CHECKED:		
ENGR.:		
DIMENSIONS ARE IN INCHES UNLESS OTHERWISE SPECIFIED	TOLERANCE UNLESS OTHERWISE NOTED: DECIMAL ± N/A FRACTION ± 1/32 ANGULAR ± N/A	SIZE: B DRAWING NO. 24068245 SHEET 1 OF 1

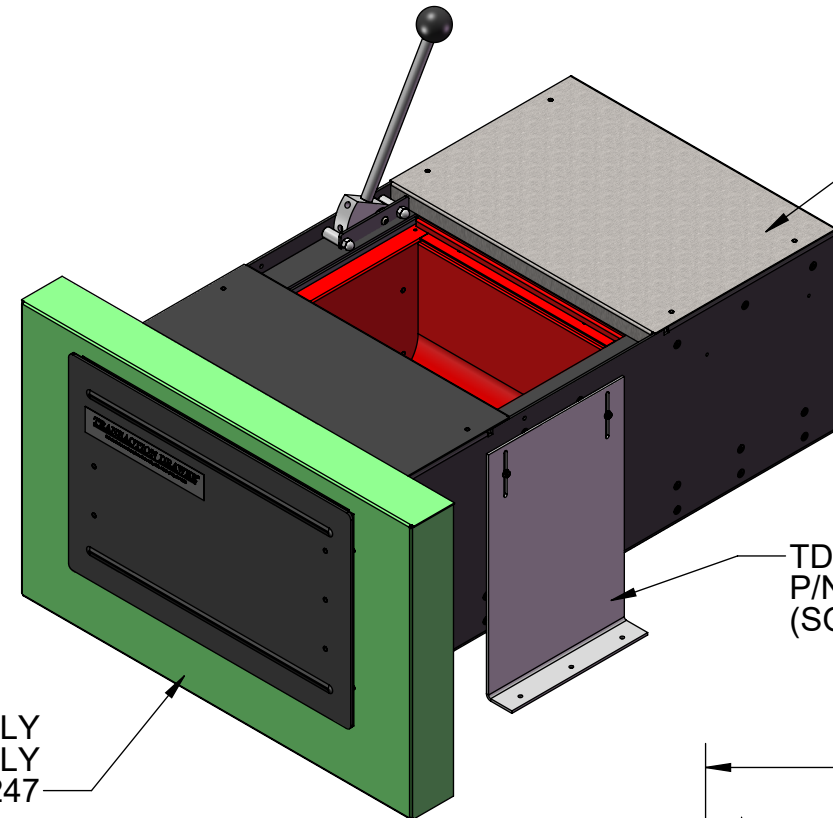
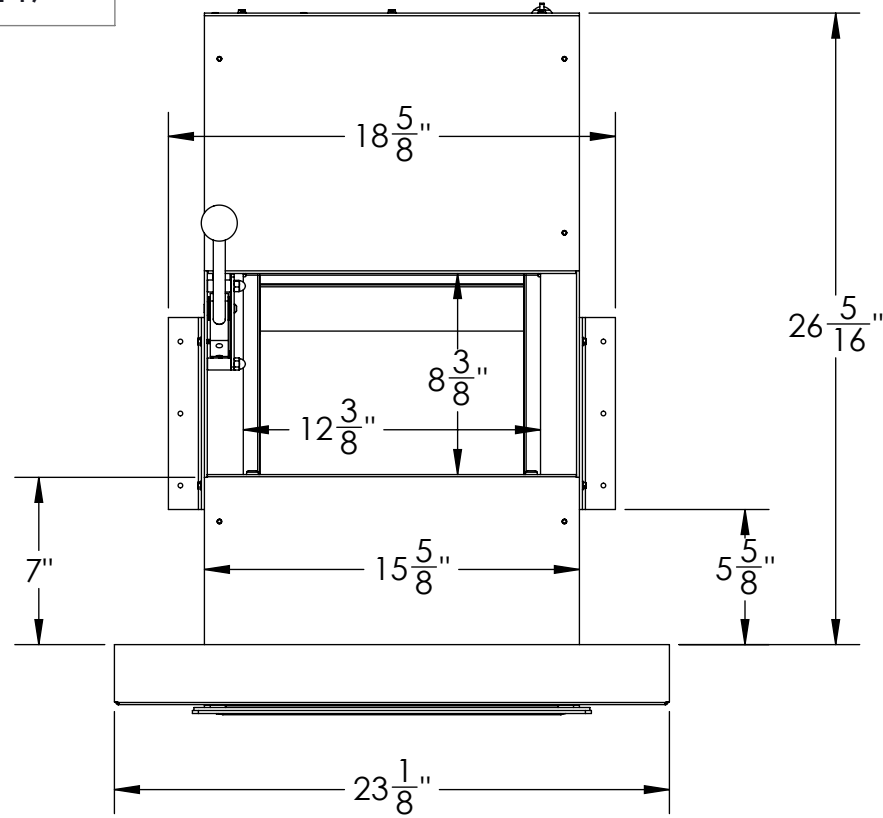


MATERIAL: 18 GA STAINLESS STEEL #4 FINISH

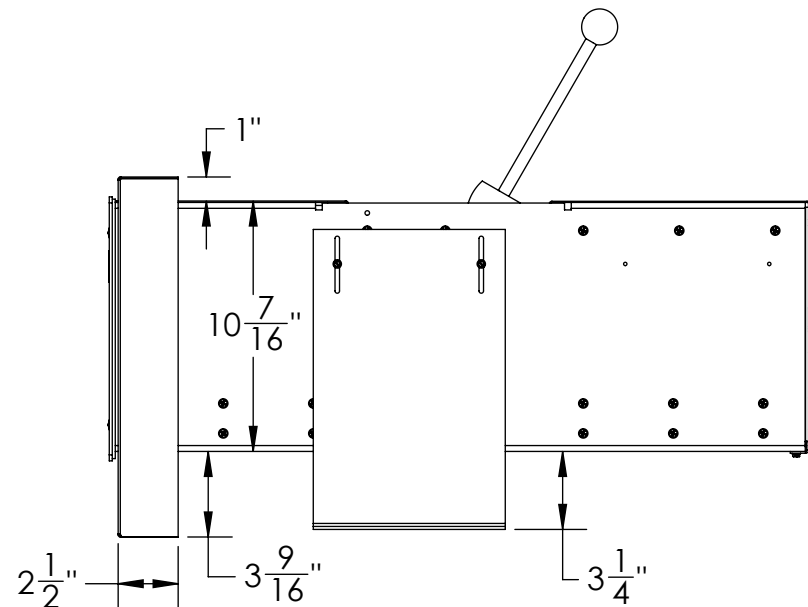
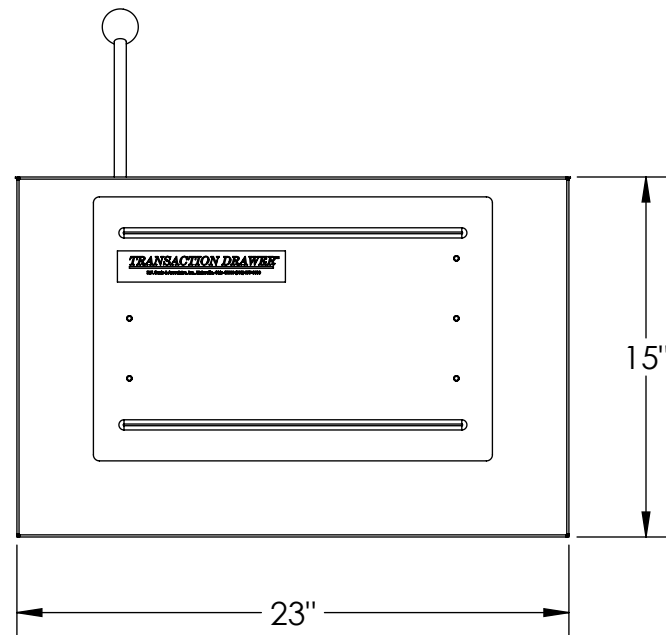
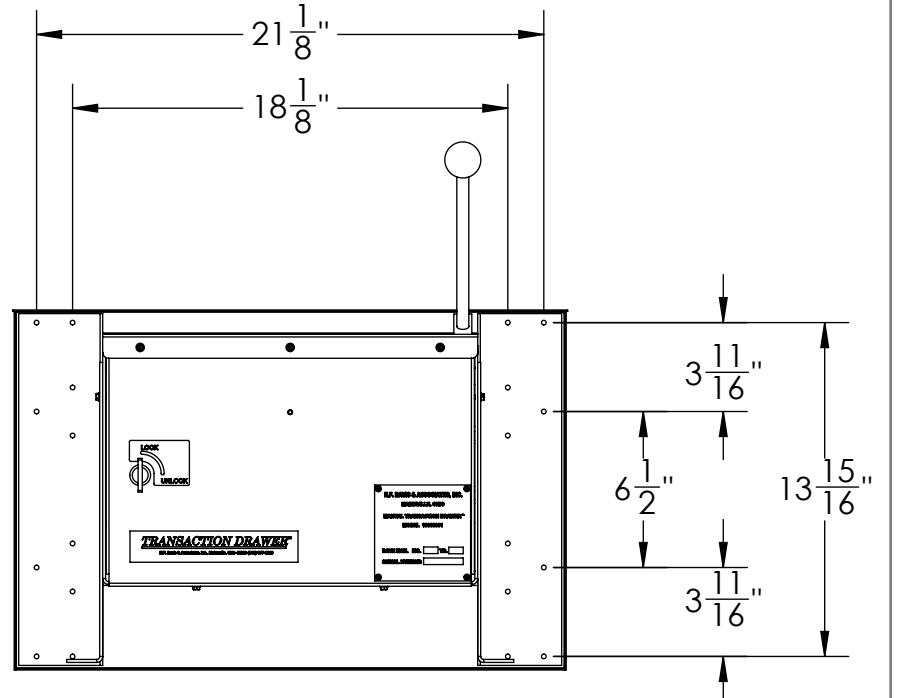
PROPRIETARY
 THIS DOCUMENTATION AND INFORMATION CONTAINED ARE THE SOLE PROPERTY OF E.F.BAVIS & ASSOC., INC. IT SHALL BE RETURNED UPON REQUEST AND SHALL NOT BE REPRODUCED IN WHOLE OR IN PART, OR DISCLOSED TO ANYONE ELSE, OR USED, WITHOUT WRITTEN CONSENT OF E.F. BAVIS & ASSOC., INC.

201 GRANDIN RD.
 MAINEVILLE, OH 45039
 T: 513.677.0500
 F: 513.677.0552
 WWW.BAVIS.COM

SIGNATURES		DATE	TITLE TDR OUTSIDE WALL OPENING COVER TRIM
DRAWN	MJC	09/08/20	
CHECKED	DAM	09/08/20	
ENGR.			
DIMENSIONS ARE IN INCHES	TOLERANCE UNLESS OTHERWISE NOTED:		SIZE B DRAWING NO. 24068246 SHEET 1 OF 1
UNLESS OTHERWISE SPECIFIED	DECIMAL ± 0.020		
ECN	FRACTION ± N/A	ANGULAR ± N/A	
21454			




TDR 23x15x2-1/2 TRIM ONLY
PANEL ASSEMBLY
P/N 24068247



MATERIAL: 18 GA. STAINLESS STEEL WITH #4 FINISH (CONTACT FACTORY FOR OTHER FINISHES).
 MODEL 13000991 MANUAL TRANSACTION DRAWER NOT INCLUDED IN THIS KIT.
 ALL DIMENSIONS AND APPEARANCE ARE SUBJECT TO CHANGE WITHOUT NOTICE.

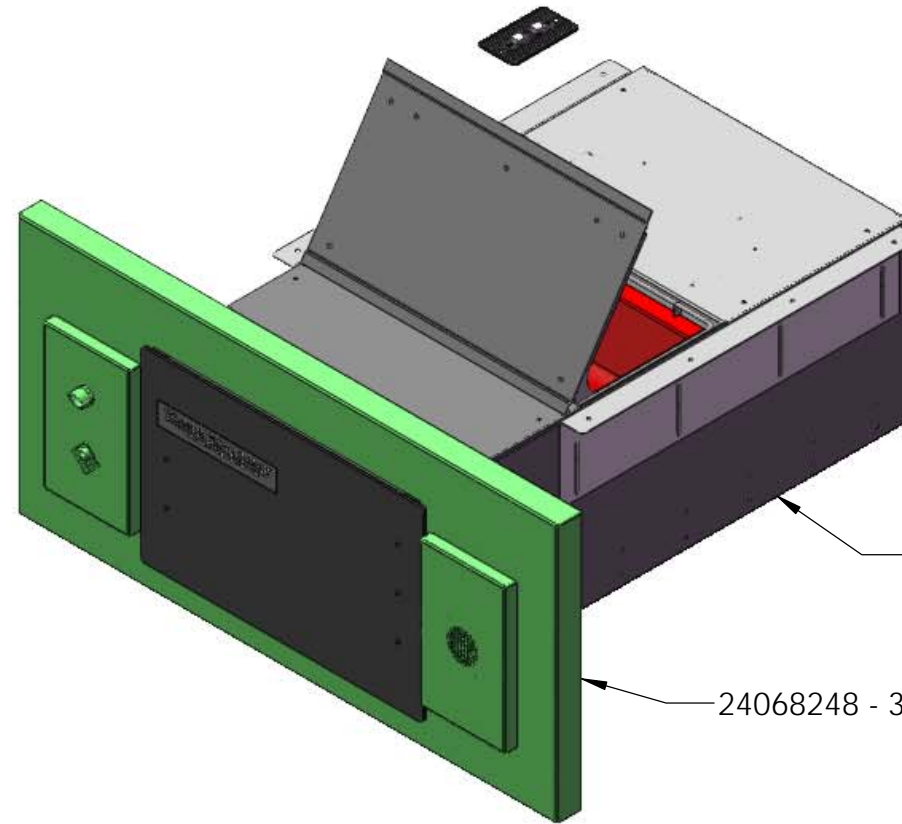
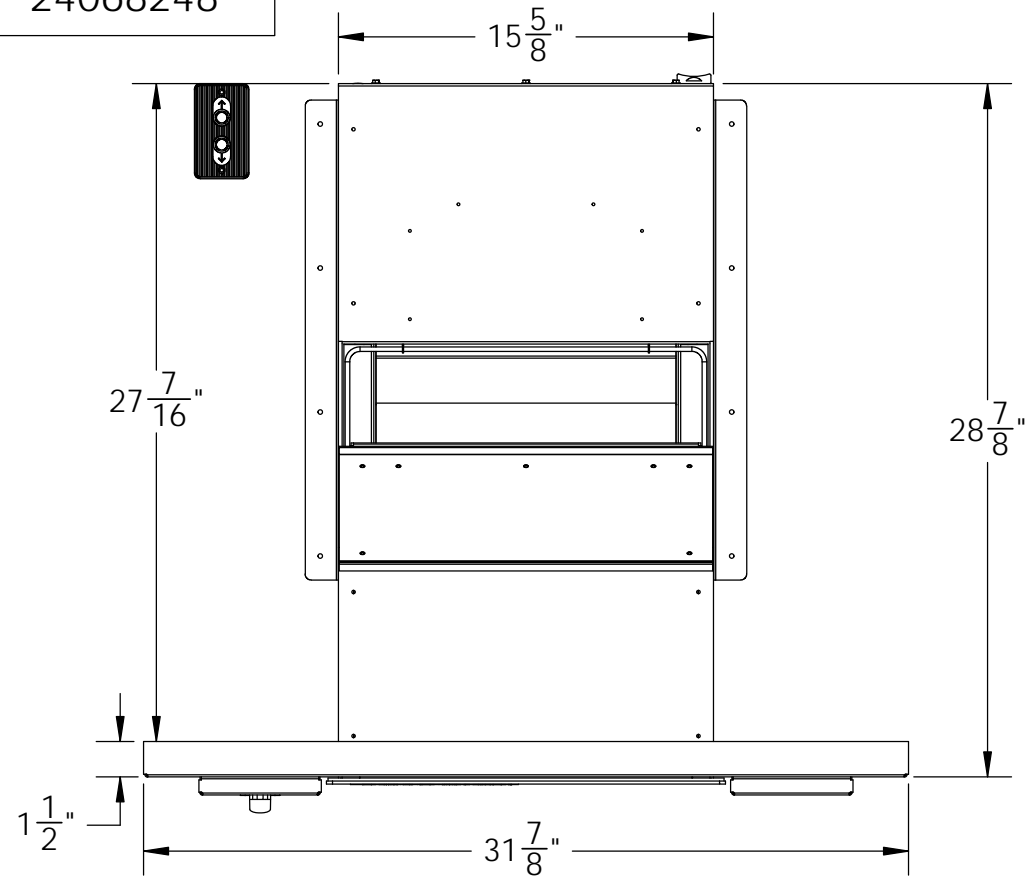
PROPRIETARY

THIS DOCUMENTATION AND INFORMATION CONTAINED ARE THE SOLE PROPERTY OF E.F. BAVIS & ASSOC., INC. IT SHALL BE RETURNED UPON REQUEST AND SHALL NOT BE REPRODUCED IN WHOLE OR IN PART, OR DISCLOSED TO ANYONE ELSE, OR USED, WITHOUT WRITTEN CONSENT OF E.F. BAVIS & ASSOC., INC.



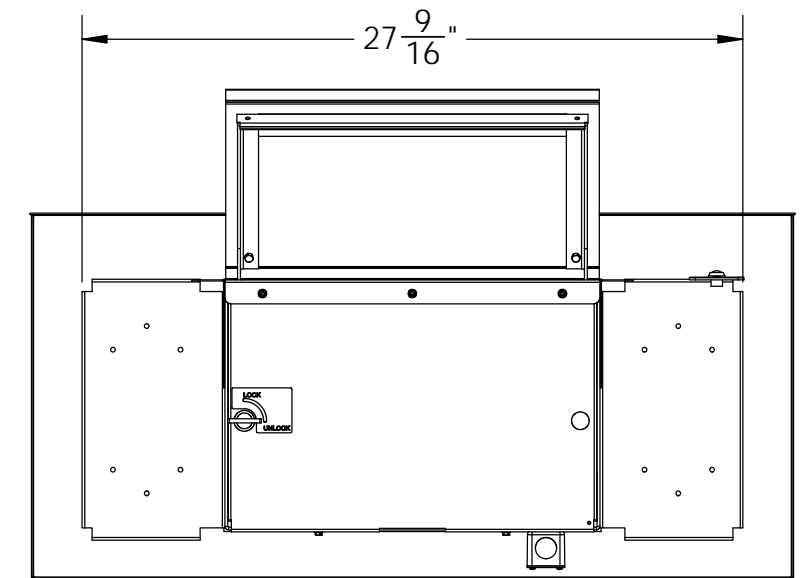
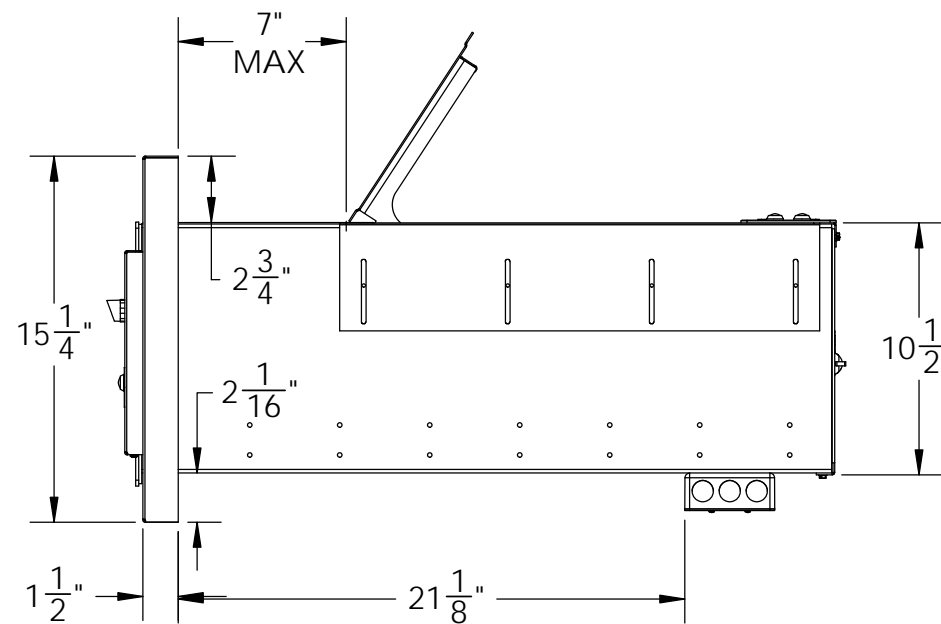
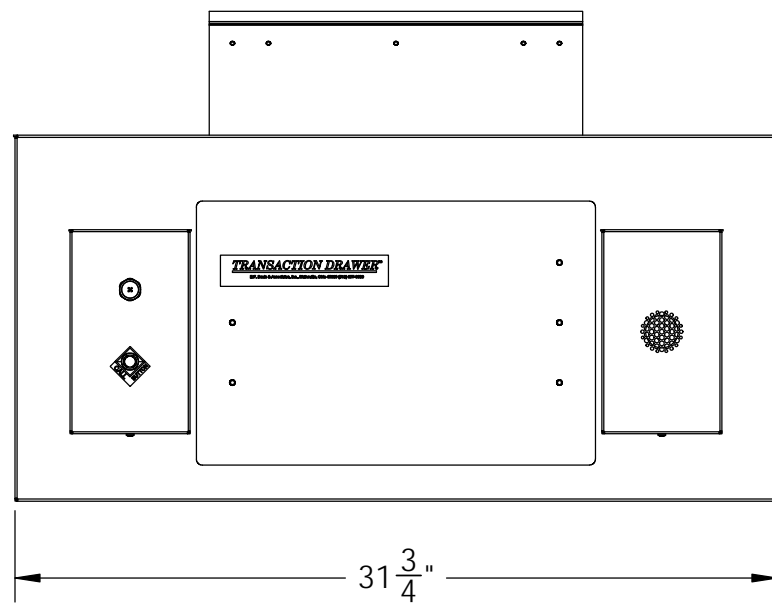
201 GRANDIN RD.
MAINEVILLE, OH 45039
T: 513.677.0500
F: 513.677.0552
WWW.BAVIS.COM

SIGNATURES		DATE	TITLE
DRAWN MJC		09/30/20	TDR 23"x15"x2-1/2" TRIM ONLY PANEL ASSEMBLY
CHECKED			
ENGR.			
DIMENSIONS ARE IN INCHES	TOLERANCE UNLESS OTHERWISE NOTED:		
UNLESS OTHERWISE SPECIFIED	DECIMAL ±	N/A	
ECN	FRACTION ±	1/32	
21515	ANGULAR ±	N/A	
SIZE B	DRAWING NO.	24068247	SHEET 1 OF 1



00500993 TRANSACTION DRAWER (SOLD SEPARATELY)

24068248 - 31-3/4x15-1/4 TDR PANEL ASSY

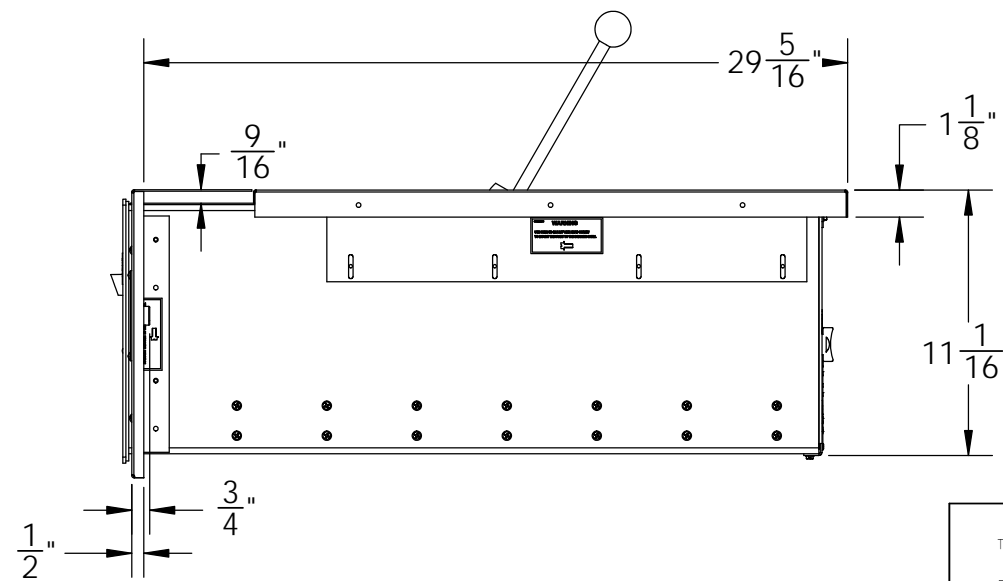
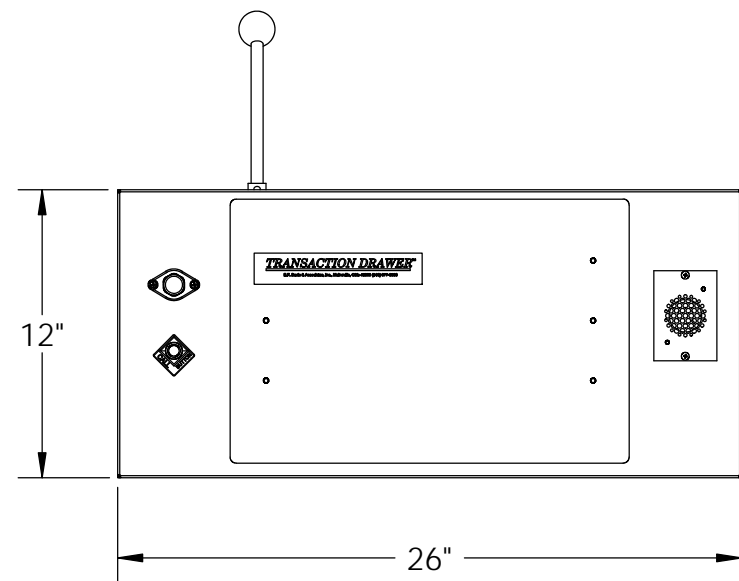
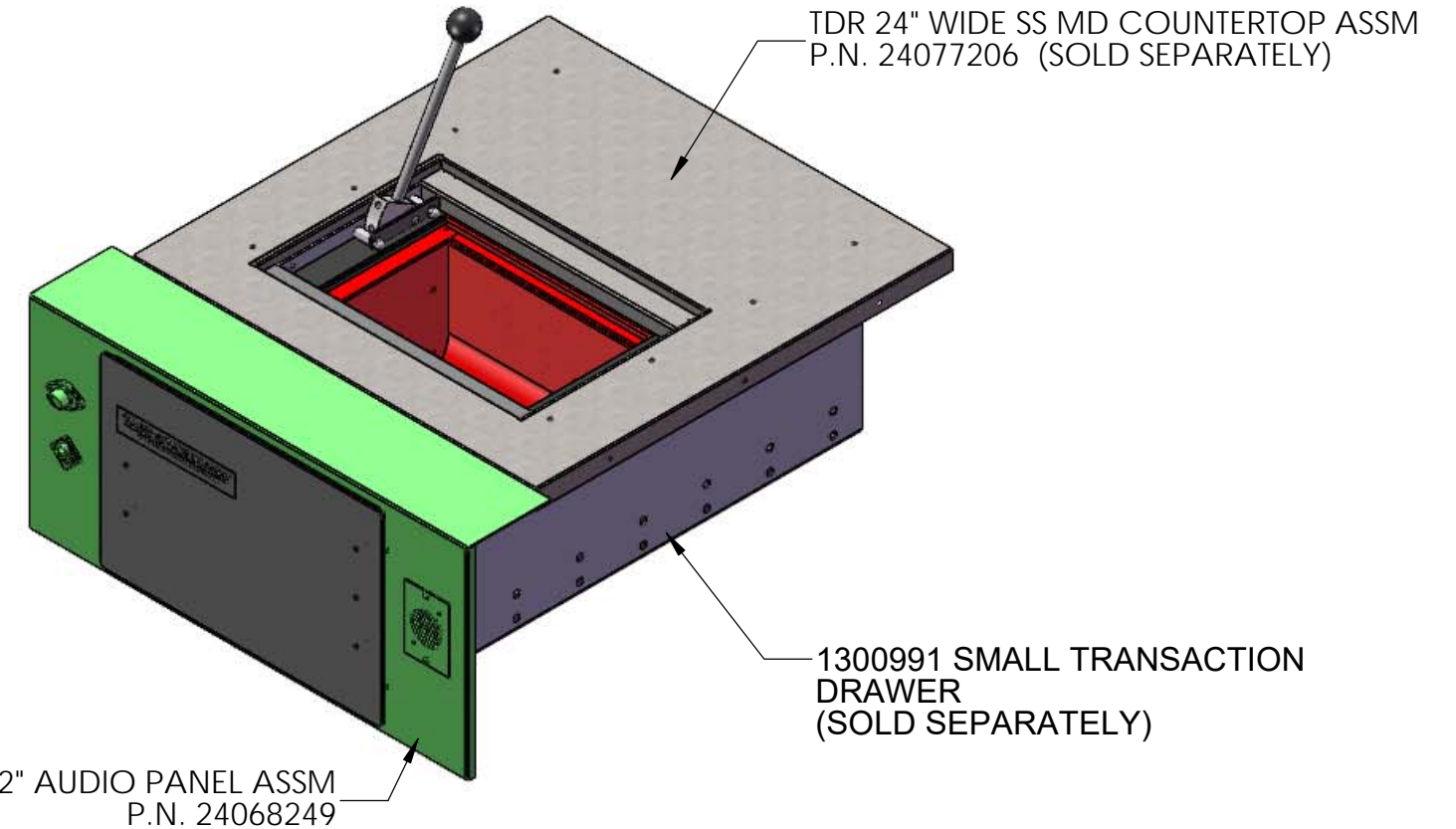
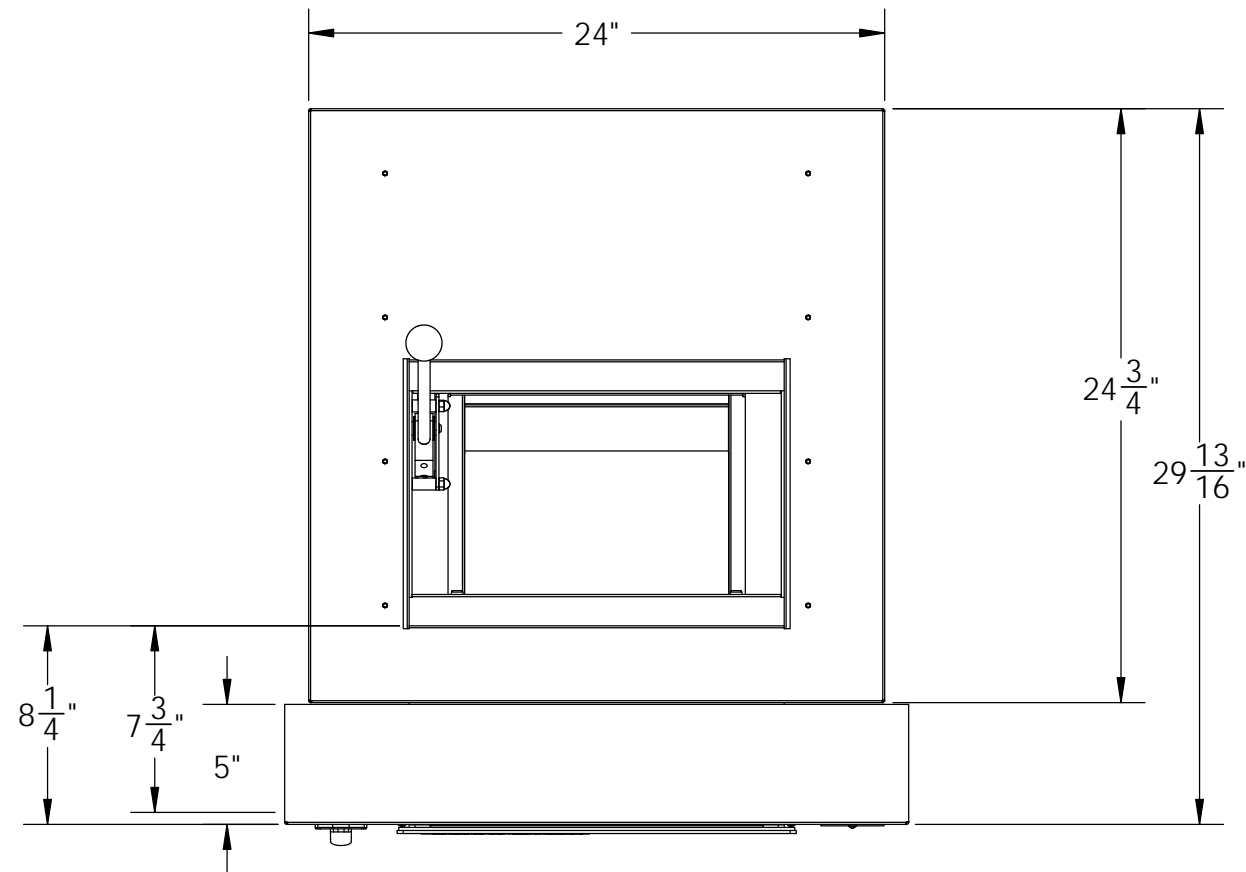


MATERIAL: 18 GA. STAINLESS STEEL WITH #4 FINISH (CONTACT FACTORY FOR OTHER FINISHES).
 MODEL 00500993 TRANSACTION DRAWER WITH OPERATOR SWITCH IS NOT INCLUDED IN THIS KIT.
 ALL DIMENSIONS AND APPEARANCE ARE SUBJECT TO CHANGE WITHOUT NOTICE.

PROPRIETARY
 THIS DOCUMENTATION AND INFORMATION CONTAINED ARE THE SOLE PROPERTY OF E.F. BAVIS & ASSOC., INC. IT SHALL BE RETURNED UPON REQUEST AND SHALL NOT BE REPRODUCED IN WHOLE OR IN PART, OR DISCLOSED TO ANYONE ELSE, OR USED, WITHOUT WRITTEN CONSENT OF E.F. BAVIS & ASSOC., INC.




SIGNATURES		DATE	TITLE
DRAWN MJC		11/11/20	31-3/4x15-1/4 TDR PANEL ASSY WITH DRAWER
CHECKED			
ENGR.			
DIMENSIONS ARE IN INCHES	TOLERANCE UNLESS OTHERWISE NOTED:		SIZE B DRAWING NO. 24068248 SHEET 2 OF 2
UNLESS OTHERWISE SPECIFIED	DECIMAL ±	N/A	
ECN 21629	FRACTION ±	1/32	
	ANGULAR ±	N/A	



MATERIAL: 18 GA. STAINLESS STEEL WITH #4 FINISH
 MODEL 13000991 MANUAL TRANSACTION DRAWER NOT INCLUDED IN THIS KIT
 TDR 24in WIDE SS MD COUNTERTOP ASSM (P.N. 24077206) IS NOT INCLUDED IN THIS KIT
 ALL DIMENSIONS AND APPEARANCE ARE SUBJECT TO CHANGE WITHOUT NOTICE.

PROPRIETARY

THIS DOCUMENTATION AND INFORMATION CONTAINED ARE THE SOLE PROPERTY OF E.F.BAVIS & ASSOC., INC. IT SHALL BE RETURNED UPON REQUEST AND SHALL NOT BE REPRODUCED IN WHOLE OR IN PART, OR DISCLOSED TO ANYONE ELSE, OR USED, WITHOUT WRITTEN CONSENT OF E.F. BAVIS & ASSOC., INC.

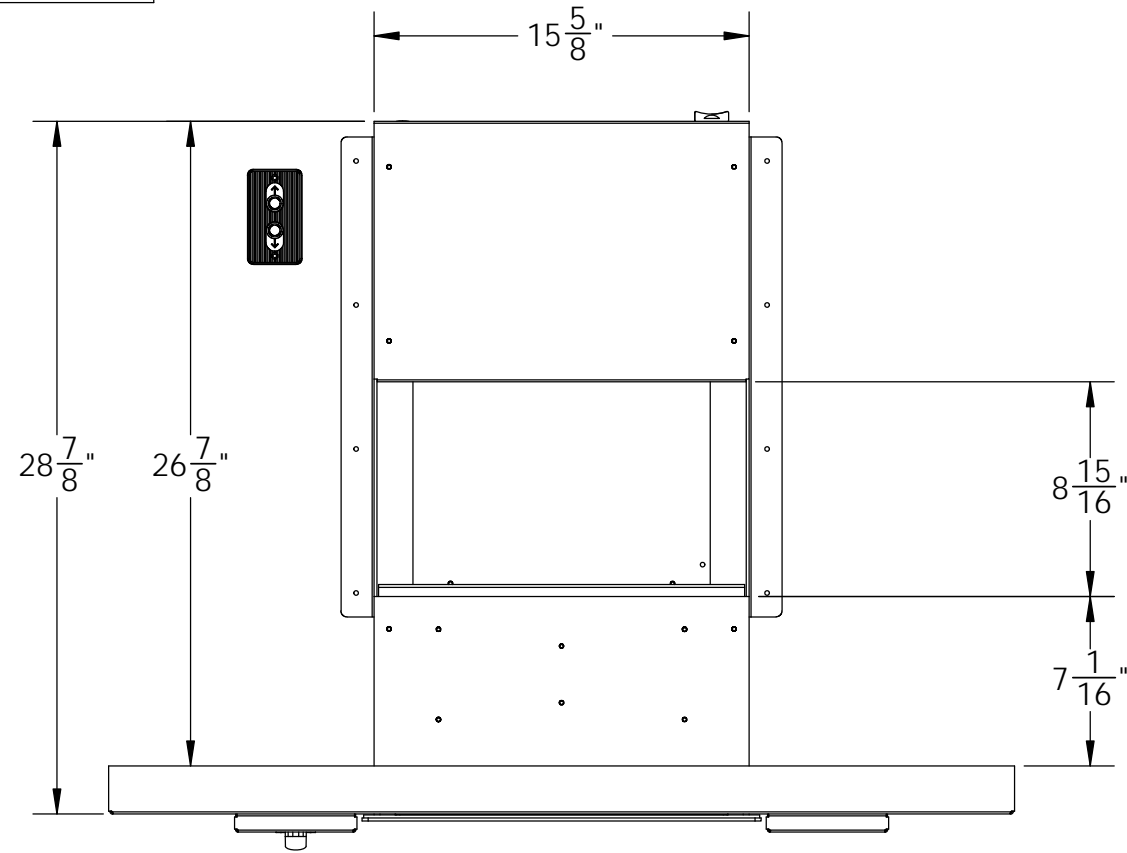


201 GRANDIN RD.
 MAINEVILLE, OH 45039
 T: 513.677.0500
 F: 513.677.0552
 WWW.BAVIS.COM

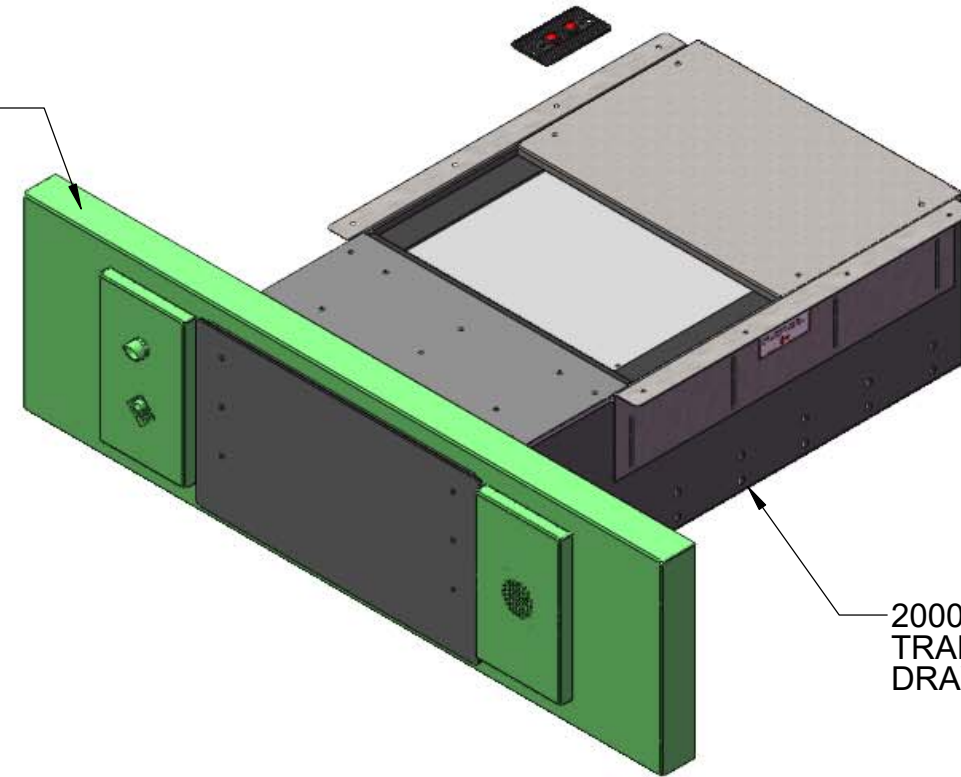
<small>SIGNATURES</small>	<small>DATE</small>	<small>TITLE</small>	DIEBOLD TDR 26 X 12 AUDIO PANEL ASSEMBLY
DRAWN MR	03/24/21		
CHECKED DAM	03/24/21		
<small>ENGR.</small>			FOR TD OR MD MODEL DRAWER
<small>DIMENSIONS ARE IN INCHES UNLESS OTHERWISE SPECIFIED</small>			
<small>TOLERANCE UNLESS OTHERWISE NOTED:</small>			
<small>DECIMAL ± N/A</small>			
<small>FRACTION ± 1/32</small>			
<small>ECN</small> 21827	<small>ANGULAR ± N/A</small>	<small>SIZE</small> B	<small>DRAWING NO.</small> 24068249

SHEET 3

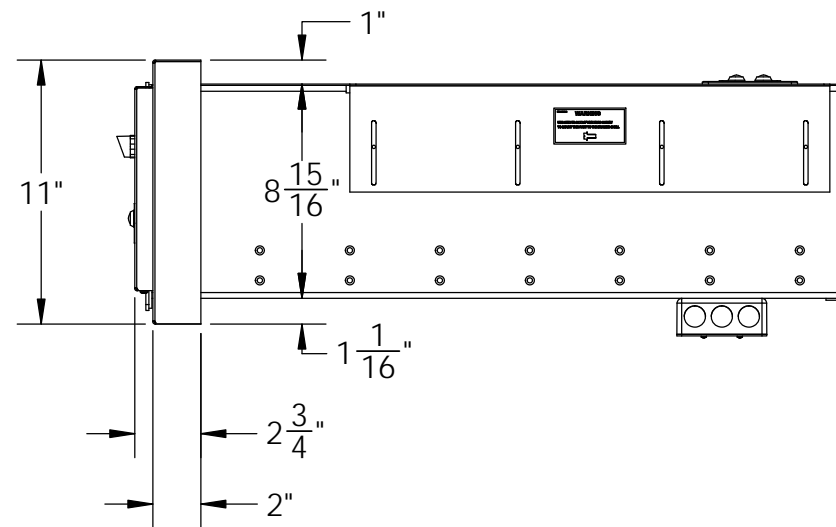
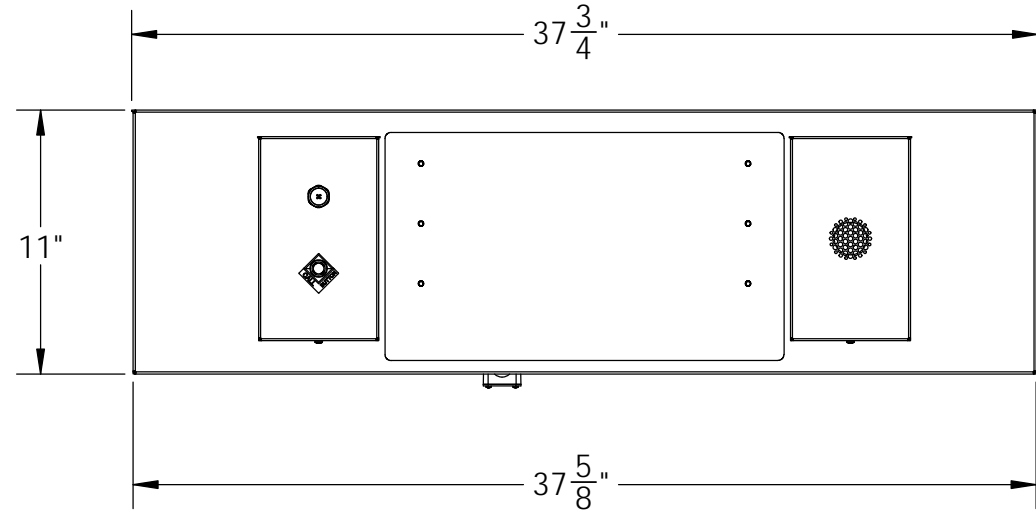
OF 3



24068250 DIEBOLD
TDR CUST PANEL
ASSY 10



20000991 SMALL
TRANSACTION
DRAWER



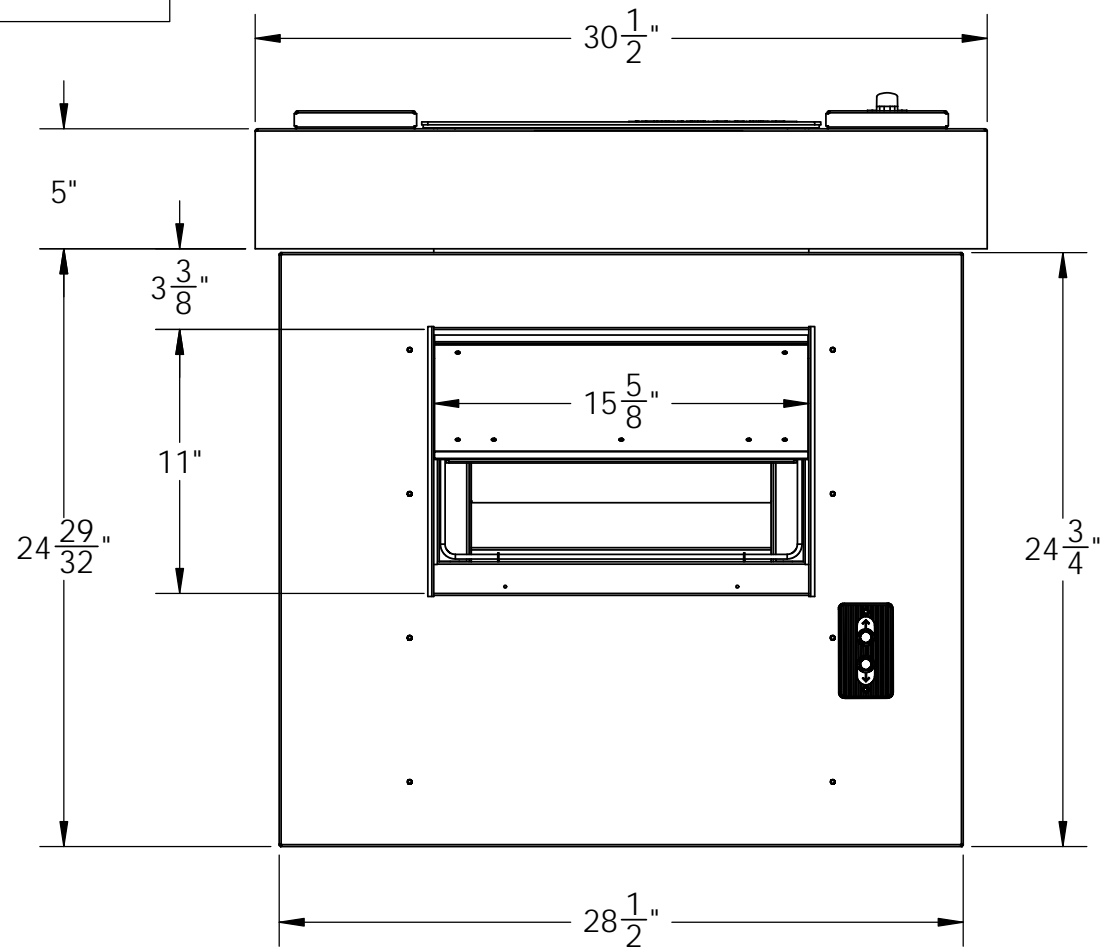
MATERIAL: 18 GA. STAINLESS STEEL WITH #4 FINISH (CONTACT FACTORY FOR OTHER FINISHES).
MODEL 20000991 TRANSACTION DRAWER WITH OPERATOR SWITCH IS NOT INCLUDED IN THIS KIT.
ALL DIMENSIONS AND APPEARANCE ARE SUBJECT TO CHANGE WITHOUT NOTICE.

PROPRIETARY
THIS DOCUMENTATION AND INFORMATION CONTAINED ARE THE SOLE PROPERTY OF E.F. BAVIS & ASSOC., INC. IT SHALL BE RETURNED UPON REQUEST AND SHALL NOT BE REPRODUCED IN WHOLE OR IN PART, OR DISCLOSED TO ANYONE ELSE, OR USED, WITHOUT WRITTEN CONSENT OF E.F. BAVIS & ASSOC., INC.

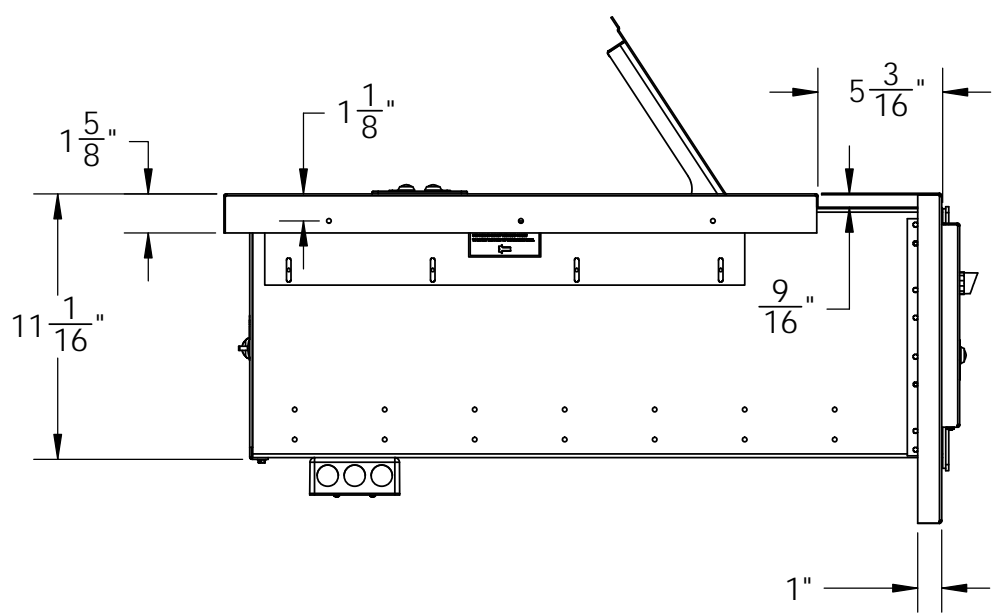
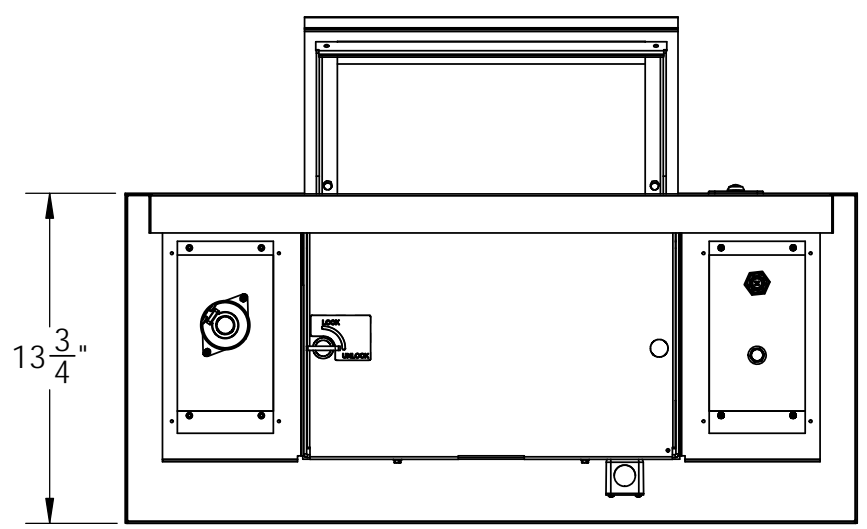
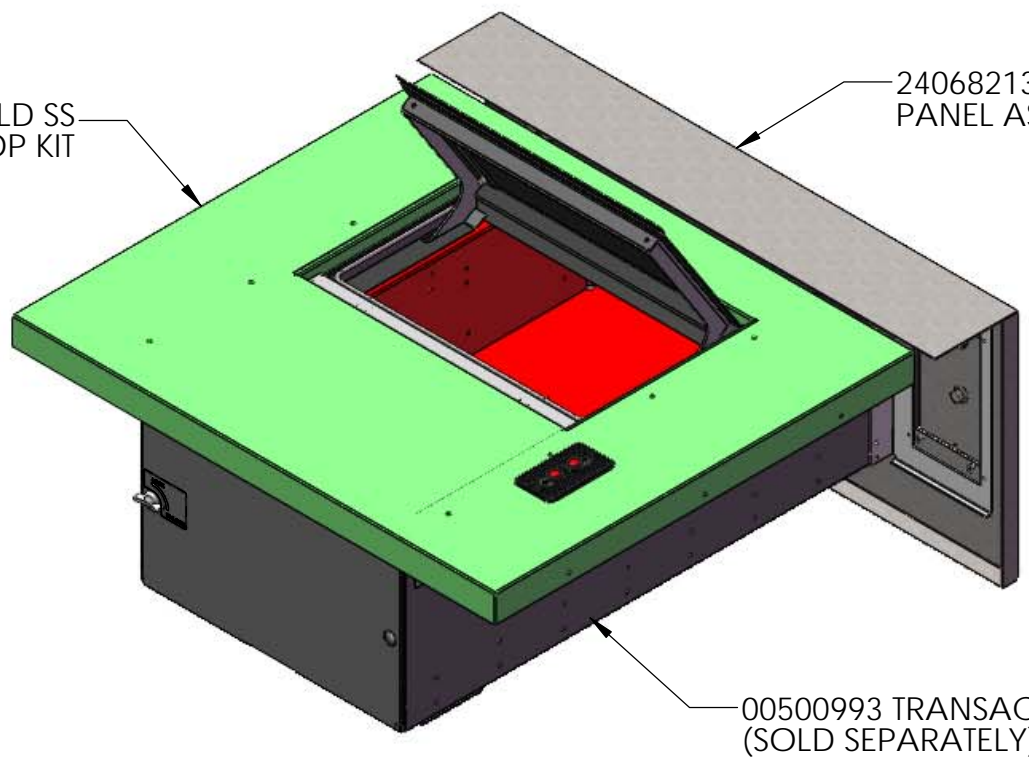


201 GRANDIN RD.
MAINEVILLE, OH 45039
T: 513.677.0500
F: 513.677.0552
WWW.BAVIS.COM

SIGNATURES		DATE	TITLE
DRAWN	MR	03/23/21	DIEBOLD TDR CUST PANEL ASSY 10
CHECKED	DAM	03/23/21	
ENGR.			
DIMENSIONS ARE IN INCHES		TOLERANCE UNLESS OTHERWISE NOTED:	
UNLESS OTHERWISE SPECIFIED		DECIMAL ± .005	
		FRACTION ± N/A	
ECN		SIZE	DRAWING NO.
21831		B	24068250
			SHEET 1 OF 1




24077191 DIEBOLD SS COUNTERTOP KIT



MATERIAL: 18 GA. STAINLESS STEEL WITH #4 FINISH, (CONTACT FACTORY FOR OTHER FINISHES).
 MODEL 00500993 TRANSACTION DRAWER WITH OPERATOR SWITCH IS NOT INCLUDED IN THIS KIT.
 DIEBOLD TDR CUST PANEL ASSY, (P.N. 24068213), IS NOT INCLUDED IN THIS KIT.
 ALL DIMENSIONS AND APPEARANCE ARE SUBJECT TO CHANGE WITHOUT NOTICE.

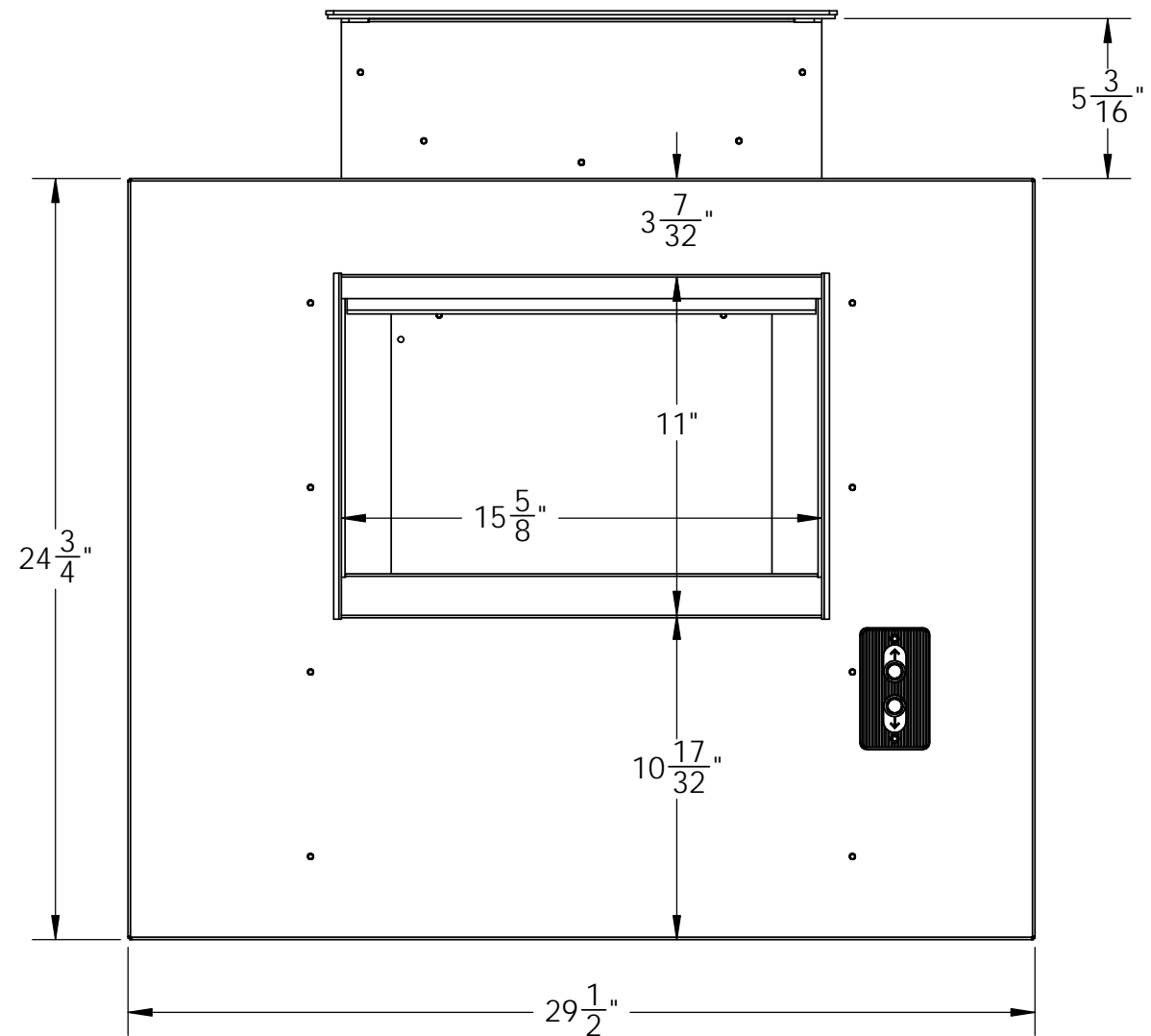
PROPRIETARY

THIS DOCUMENTATION AND INFORMATION CONTAINED ARE THE SOLE PROPERTY OF E.F. BAVIS & ASSOC., INC. IT SHALL BE RETURNED UPON REQUEST AND SHALL NOT BE REPRODUCED IN WHOLE OR IN PART, OR DISCLOSED TO ANYONE ELSE, OR USED, WITHOUT WRITTEN CONSENT OF E.F. BAVIS & ASSOC., INC.

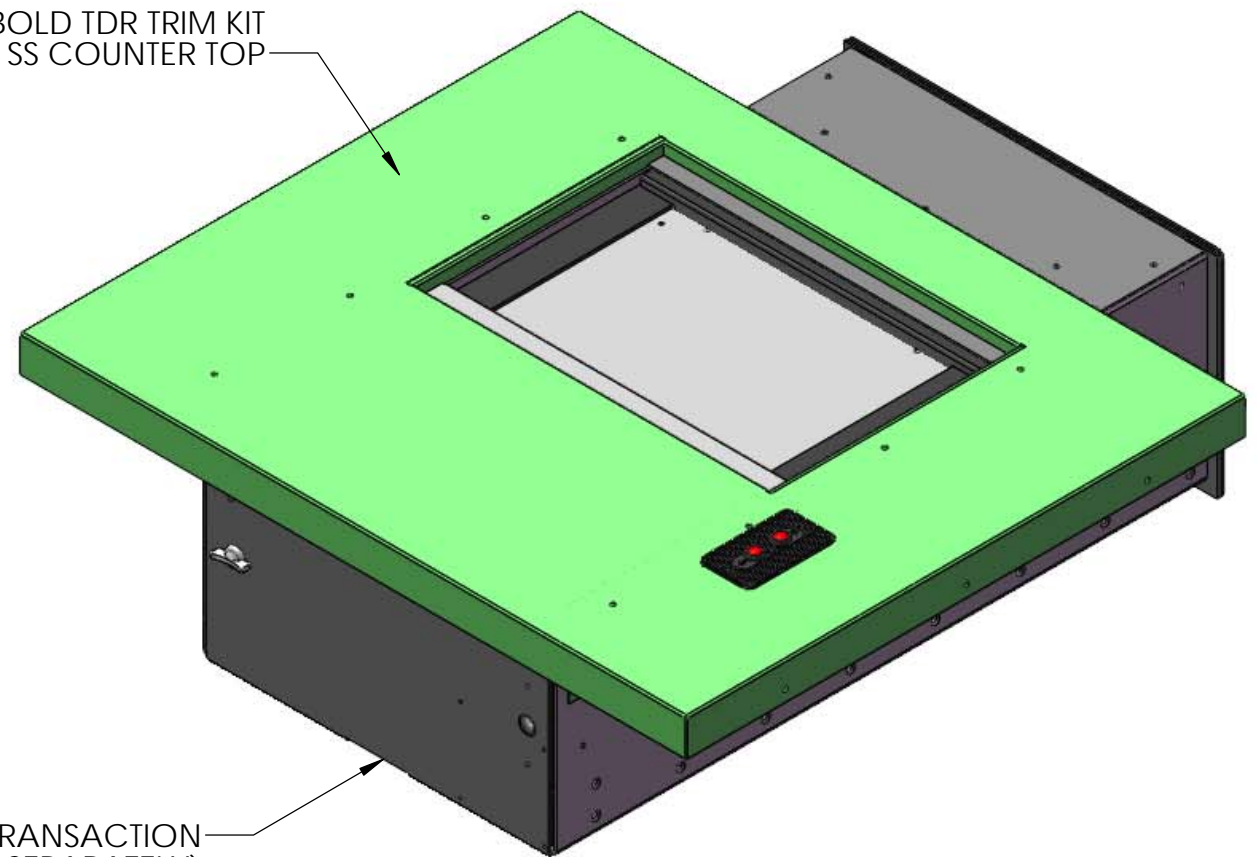


201 GRANDIN RD.
 MAINEVILLE, OH 45039
 T: 513.677.0500
 F: 513.677.0552
 WWW.BAVIS.COM

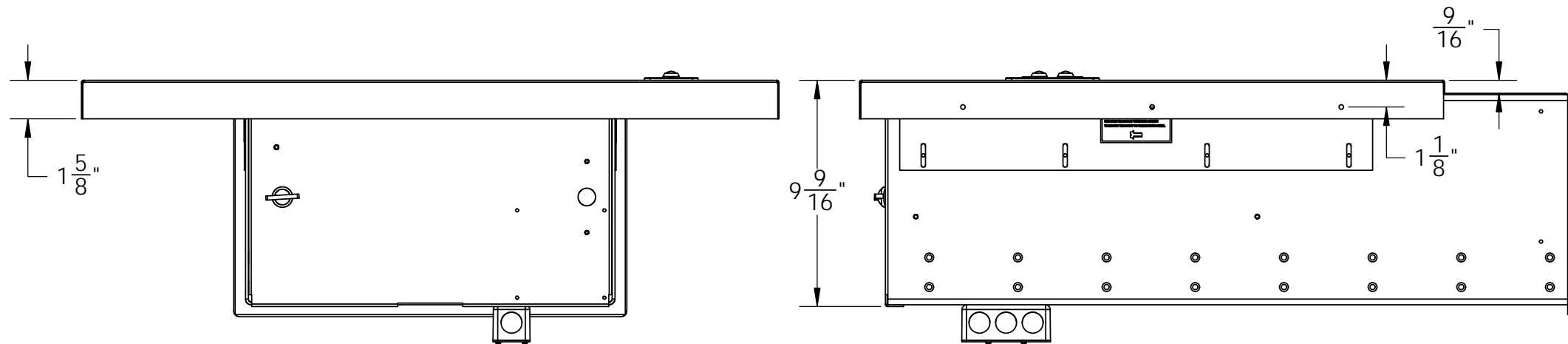
SIGNATURES		DATE	TITLE
DRAWN MJC		03/17/11	DIEBOLD SS COUNTERTOP KIT SHOWN WITH TD & 24068213 PANEL
CHECKED DAM		03/17/11	
ENGR.			
DIMENSIONS ARE IN INCHES		TOLERANCE UNLESS OTHERWISE NOTED:	
UNLESS OTHERWISE SPECIFIED		DECIMAL ± 0.015	
ECN 11105		FRACTION ± N/A	
		ANGULAR ± N/A	
SIZE B	DRAWING NO. 24077191	SHEET 2 OF 2	Pg. 78



24077192 DIEBOLD TDR TRIM KIT
29-1/2in WIDE SS COUNTER TOP



20000991 TRANSACTION
DRAWER (SOLD SEPARATELY)



MATERIAL: 18 GA. STAINLESS STEEL WITH #4 FINISH (CONTACT FACTORY FOR OTHER FINISHES).
 MODEL 20000991 TRANSACTION DRAWER WITH OPERATOR SWITCH IS NOT INCLUDED IN THIS KIT.
 ALL DIMENSIONS AND APPEARANCE ARE SUBJECT TO CHANGE WITHOUT NOTICE.

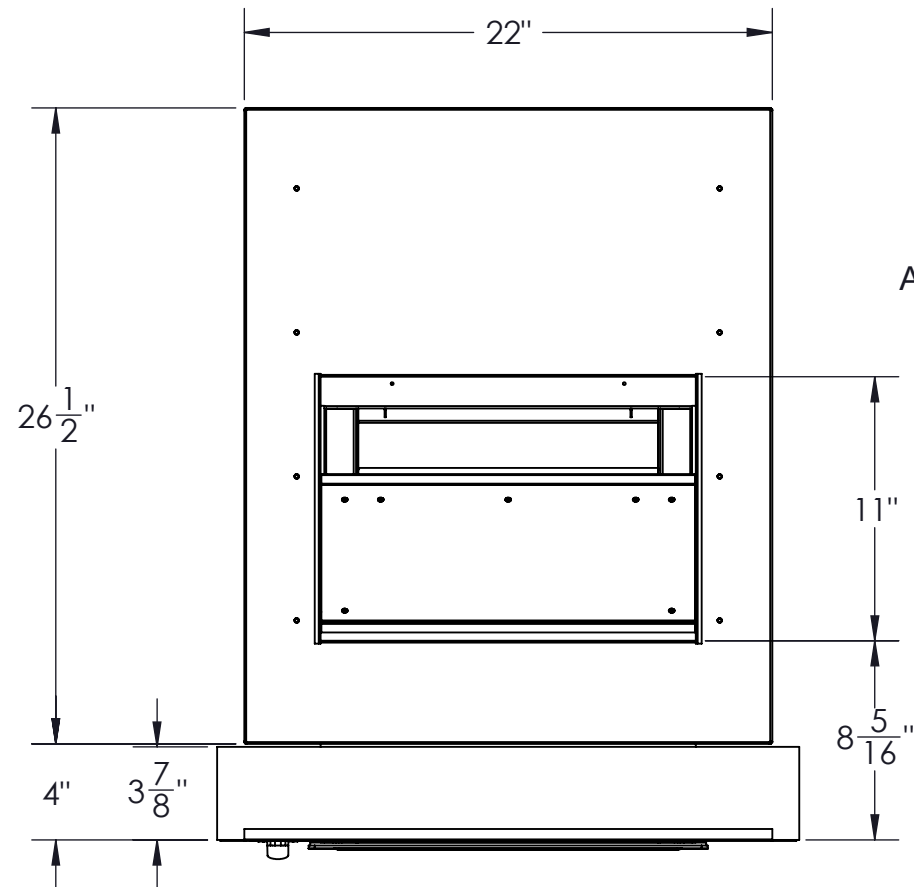
PROPRIETARY

THIS DOCUMENTATION AND INFORMATION CONTAINED ARE THE SOLE PROPERTY OF E.F.BAVIS & ASSOC., INC. IT SHALL BE RETURNED UPON REQUEST AND SHALL NOT BE REPRODUCED IN WHOLE OR IN PART, OR DISCLOSED TO ANYONE ELSE, OR USED, WITHOUT WRITTEN CONSENT OF E.F. BAVIS & ASSOC., INC.

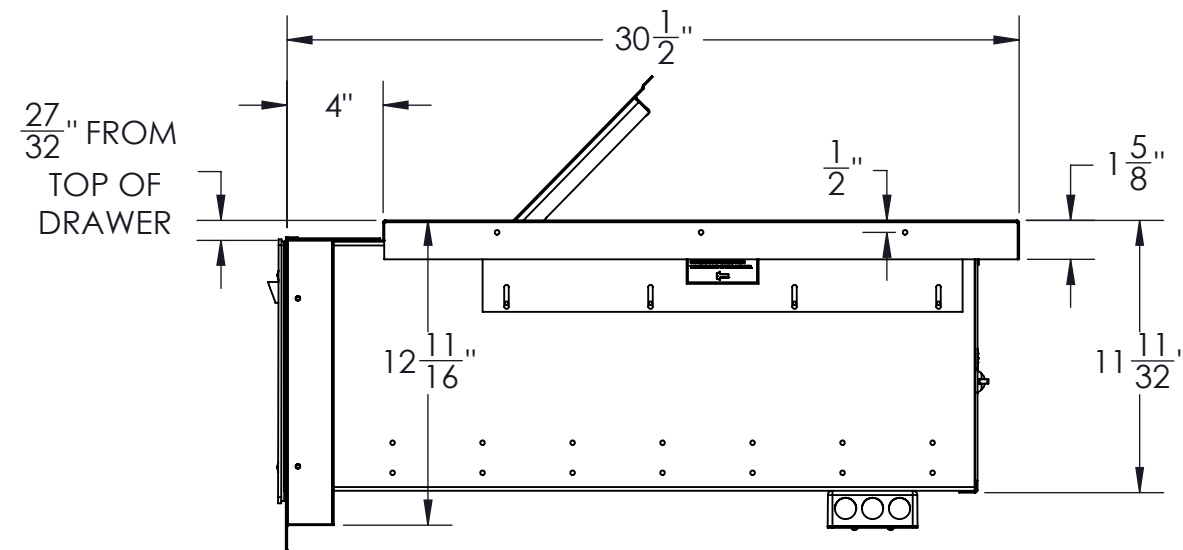
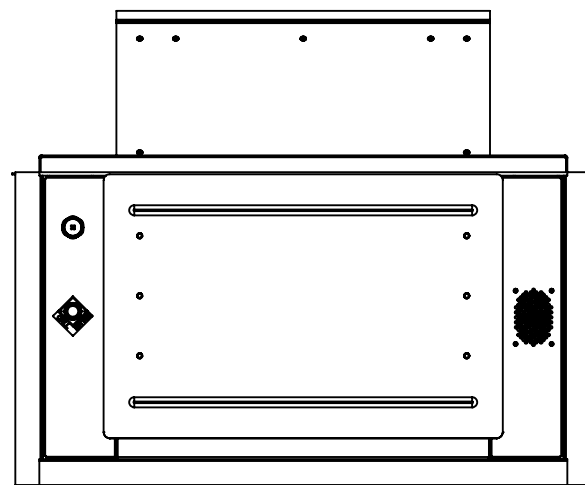
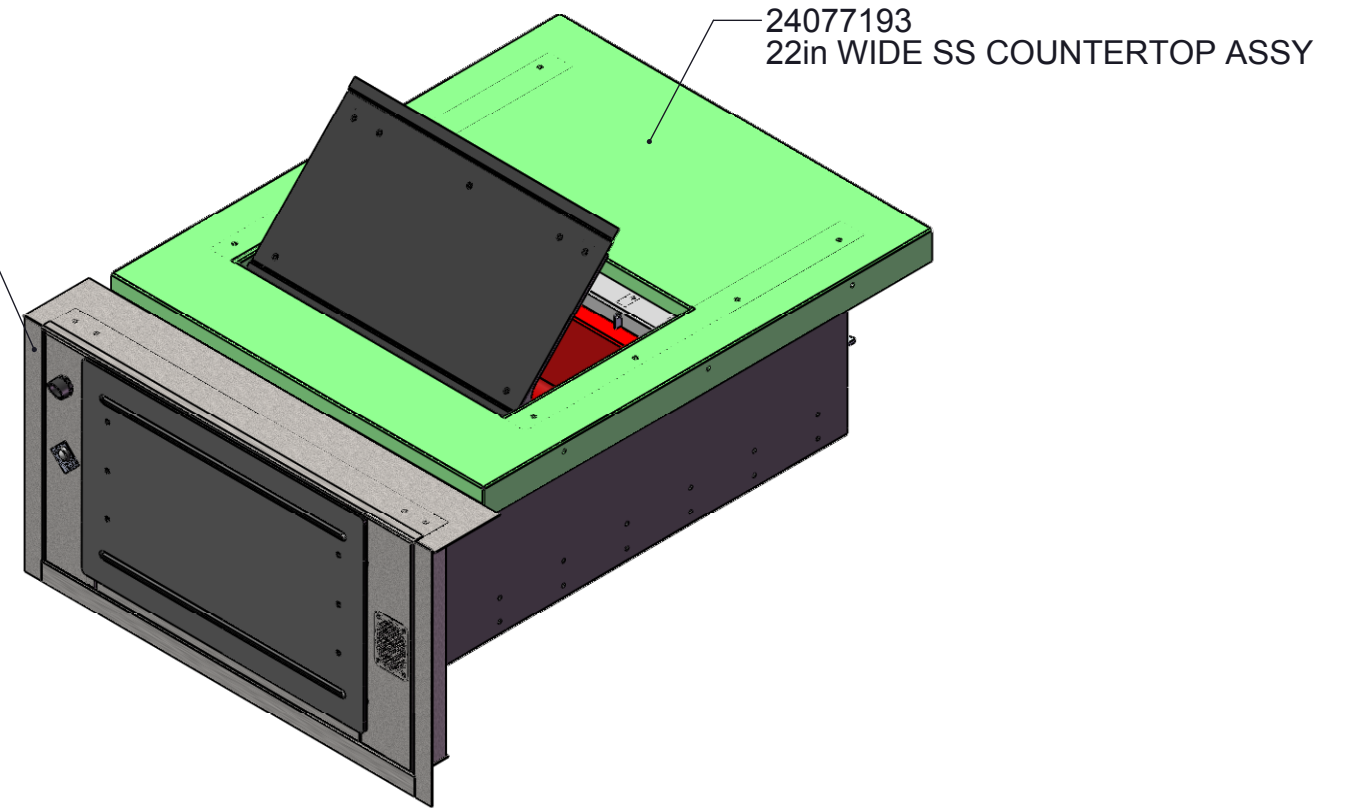


201 GRANDIN RD.
MAINEVILLE, OH 45039
T: 513.677.0500
F: 513.677.0552
WWW.BAVIS.COM

SIGNATURES		DATE	TITLE DIEBOLD TDR TRIM KIT 29-1/2in WIDE SS COUNTERTOP
DRAWN MJC		11/05/12	
CHECKED DAM		11/05/12	SHOWN WITH 20000991 DRAWER CAN BE USED WITH OTHER E.F. BAVIS DRAWERS
ENGR.			
DIMENSIONS ARE IN INCHES UNLESS OTHERWISE SPECIFIED	TOLERANCE UNLESS OTHERWISE NOTED:		SIZE DRAWING NO. 24077192
	DECIMAL ± 0.015		
ECN	FRACTION ± N/A		SHEET 1 OF 2
14094	ANGULAR ± N/A		




24068206
AM VAULT TDR CUST PANEL ASSY
SOLD SEPARATELY



MATERIAL: 18 GA. STAINLESS STEEL WITH #4 FINISH (CONTACT FACTORY FOR OTHER FINISHES).
 MODEL 00500993 TRANSACTION DRAWER WITH OPERATOR SWITCH IS NOT INCLUDED IN THIS KIT
 AMER VAULT TDR PANEL (P.N. 24068206) IS NOT INCLUDED IN THIS KIT
 ALL DIMENSIONS AND APPEARANCE ARE SUBJECT TO CHANGE WITHOUT NOTICE.

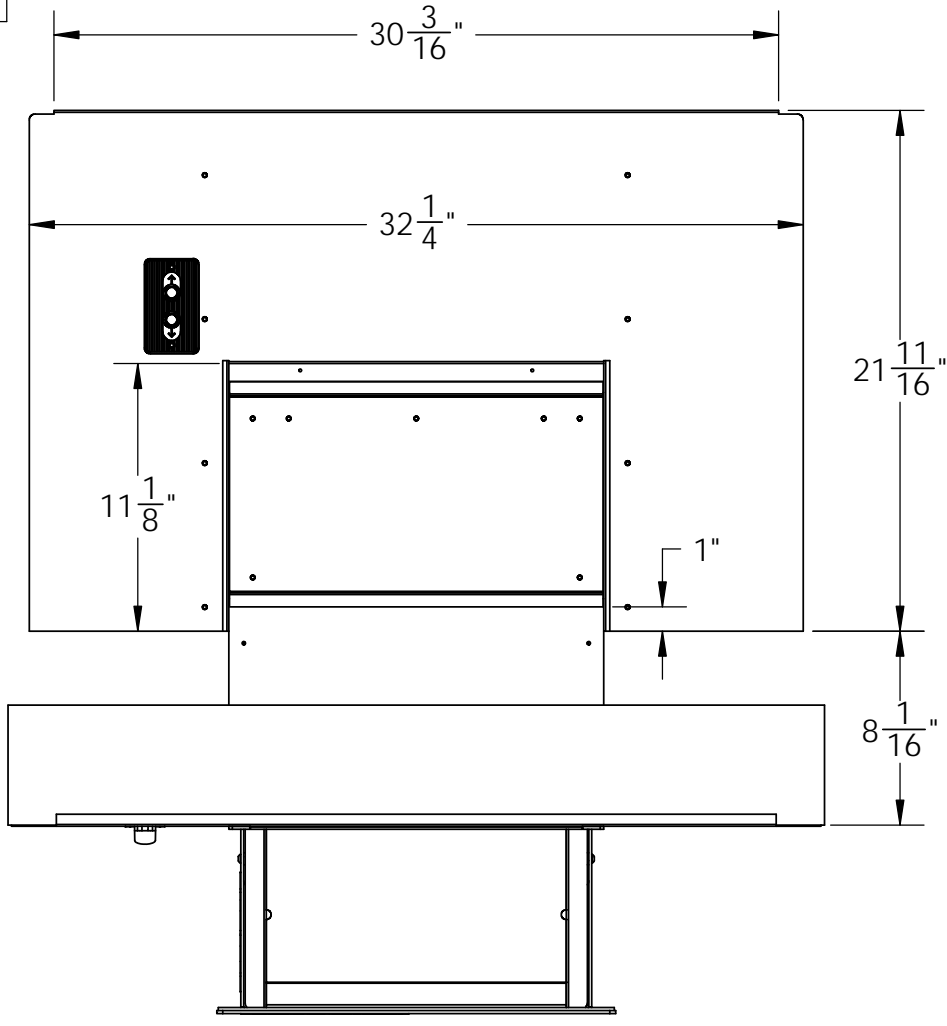
PROPRIETARY

THIS DOCUMENTATION AND INFORMATION CONTAINED ARE THE SOLE PROPERTY OF E.F.BAVIS & ASSOC., INC. IT SHALL BE RETURNED UPON REQUEST AND SHALL NOT BE REPRODUCED IN WHOLE OR IN PART, OR DISCLOSED TO ANYONE ELSE, OR USED, WITHOUT WRITTEN CONSENT OF E.F. BAVIS & ASSOC., INC.

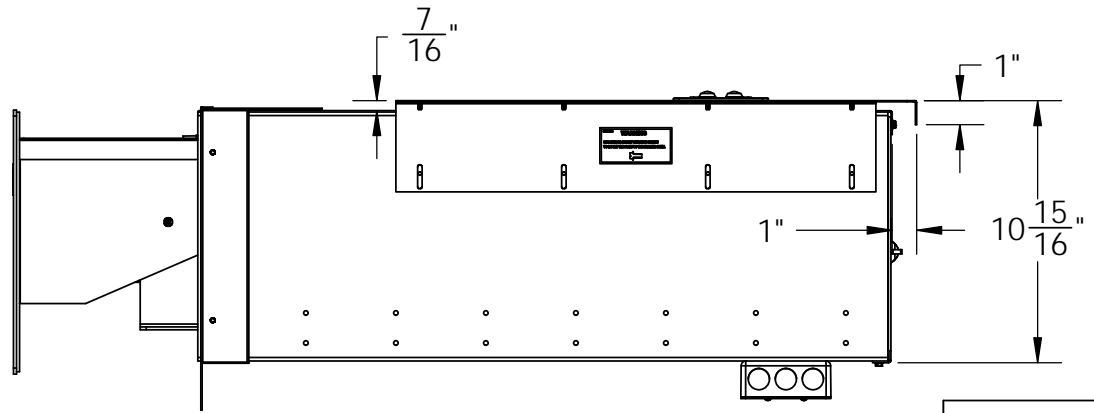
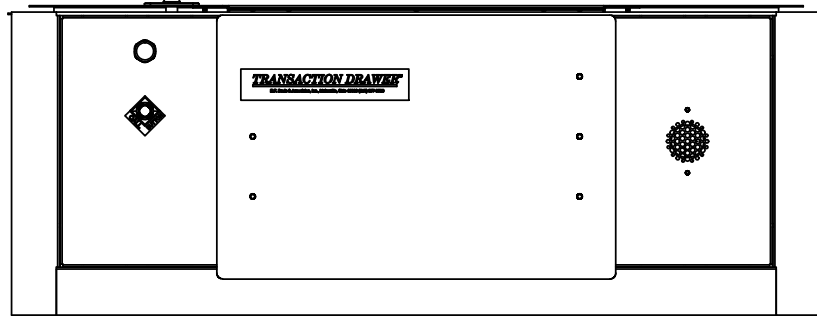
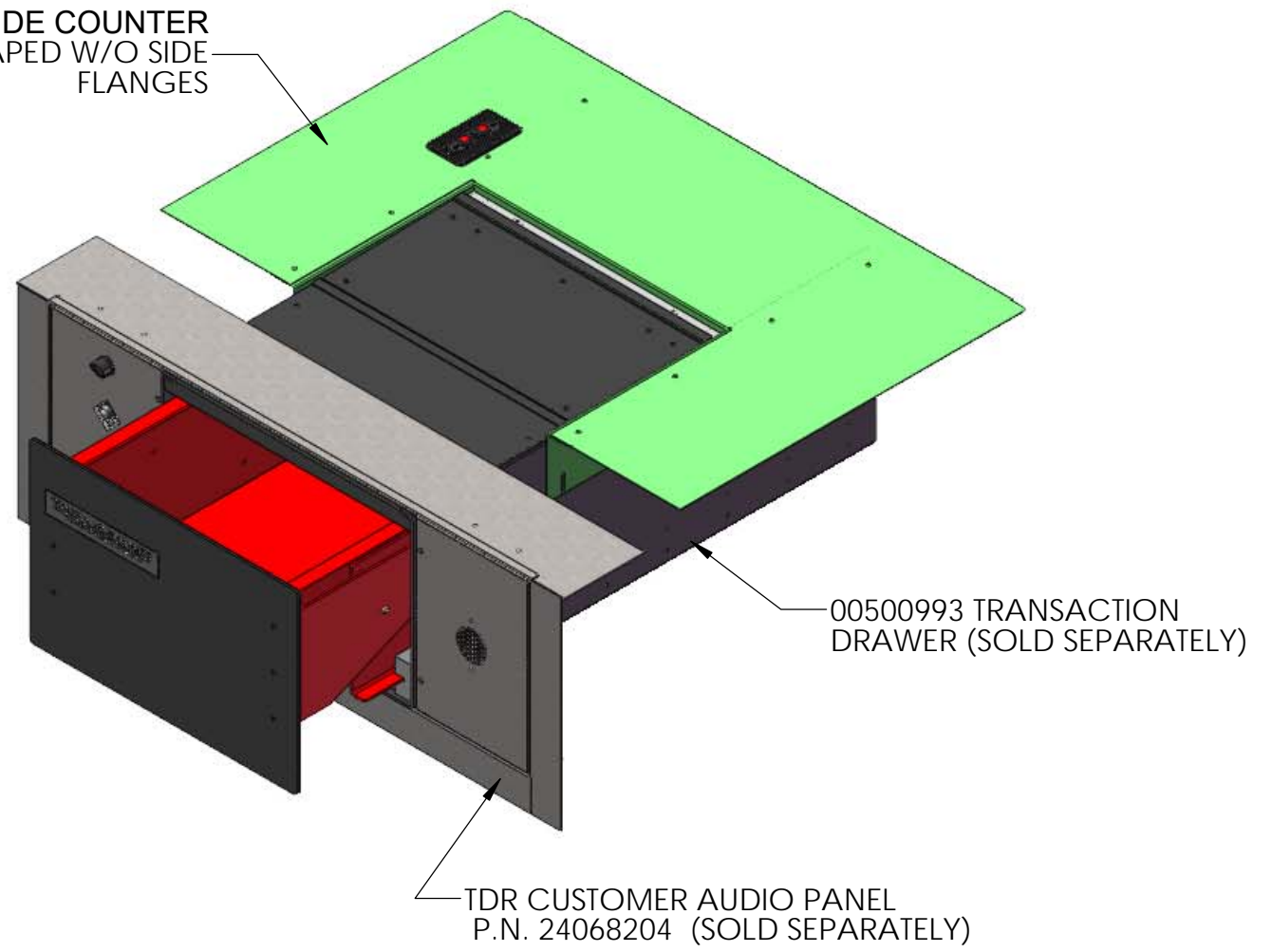


201 GRANDIN RD.
MAINEVILLE, OH 45039
T: 513.677.0500
F: 513.677.0552
WWW.BAVIS.COM

SIGNATURES	DATE	TITLE
DRAWN: MJC	04/25/13	22in WIDE SS COUNTER TOP ASSY FOR USE WITH AMER VAULT TDR P.N. 24068206
CHECKED:		
ENGR.:		
DIMENSIONS ARE IN INCHES	TOLERANCE UNLESS OTHERWISE NOTED:	
UNLESS OTHERWISE SPECIFIED	DECIMAL ± N/A	FRACTION ± 1/32
ECN	ANGULAR ± N/A	SIZE B
14401		DRAWING NO. 24077193 SHEET 1 OF 1




24077194 - 32-1/4 WIDE COUNTER TOP "U" SHAPED W/O SIDE FLANGES



MATERIAL: 18 GA. STAINLESS STEEL WITH #4 FINISH (CONTACT FACTORY FOR OTHER FINISHES).
 MODEL 00500993 TRANSACTION DRAWER WITH OPERATOR SWITCH IS NOT INCLUDED IN THIS KIT
 PART NUMBER 24068204 AUDIO PANEL NOT INCLUDED IN THIS KIT
 ALL DIMENSIONS AND APPEARANCE ARE SUBJECT TO CHANGE WITHOUT NOTICE.

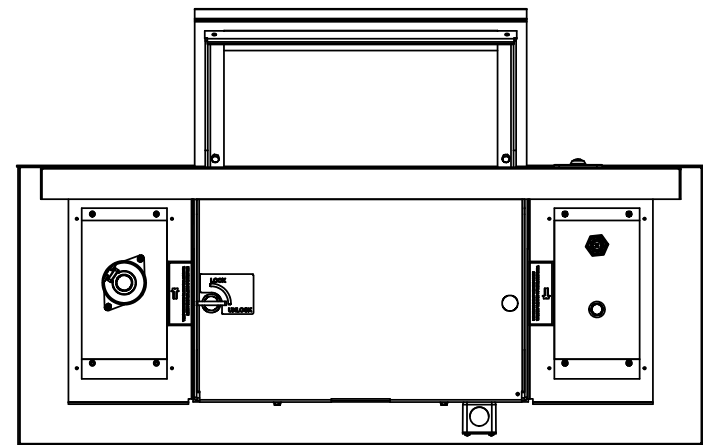
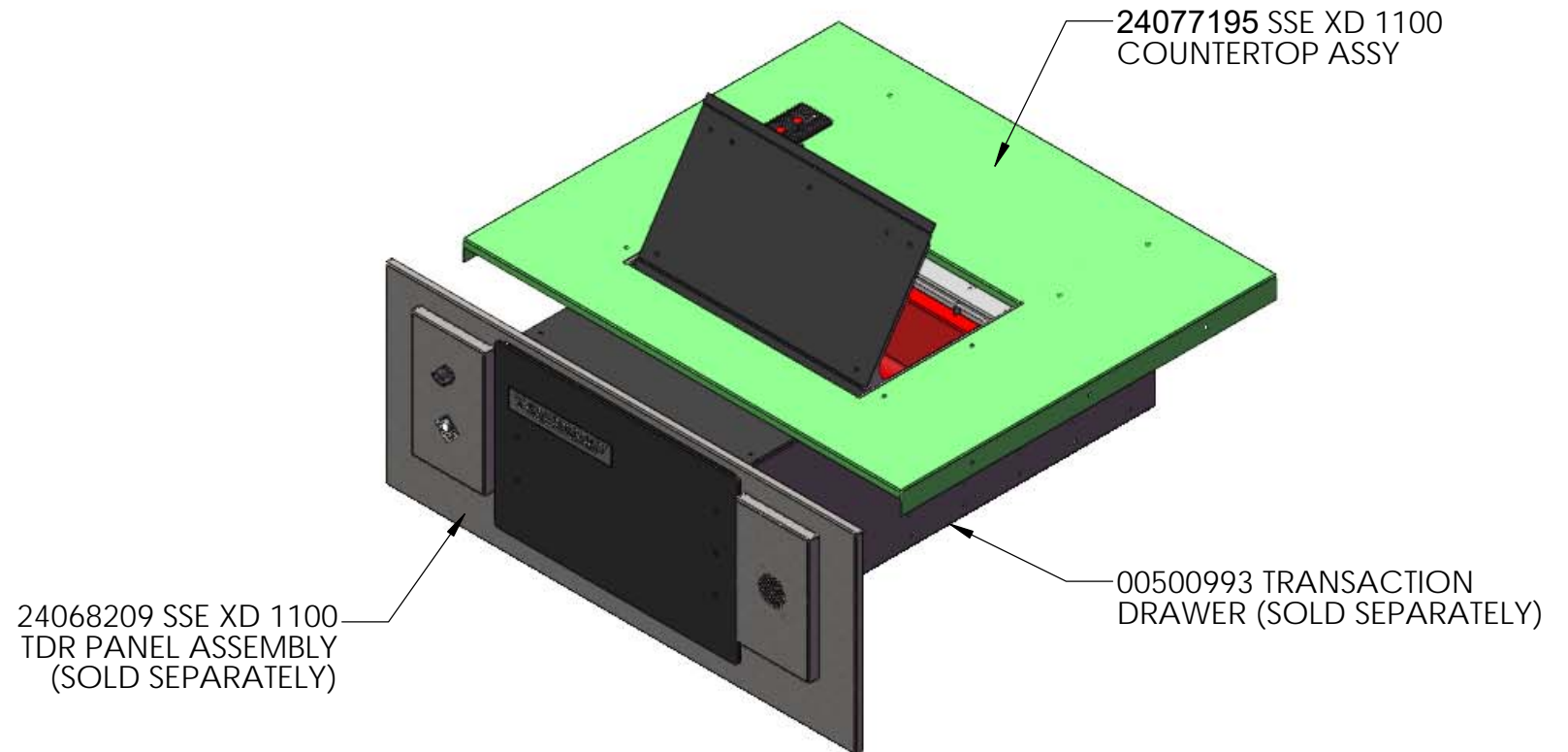
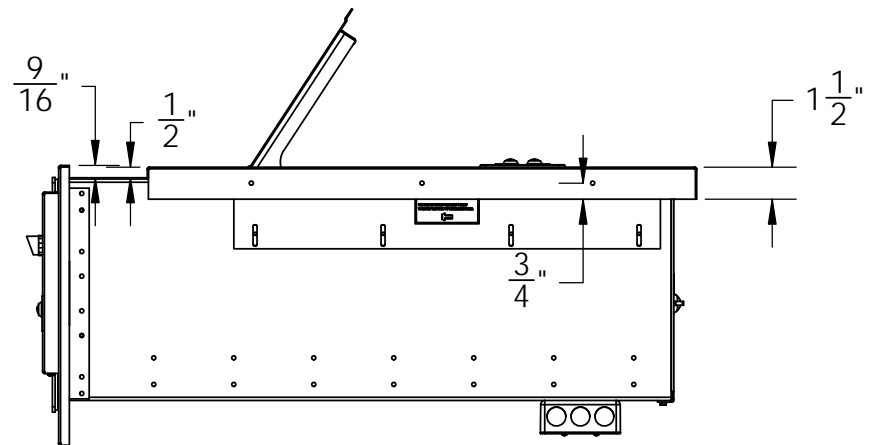
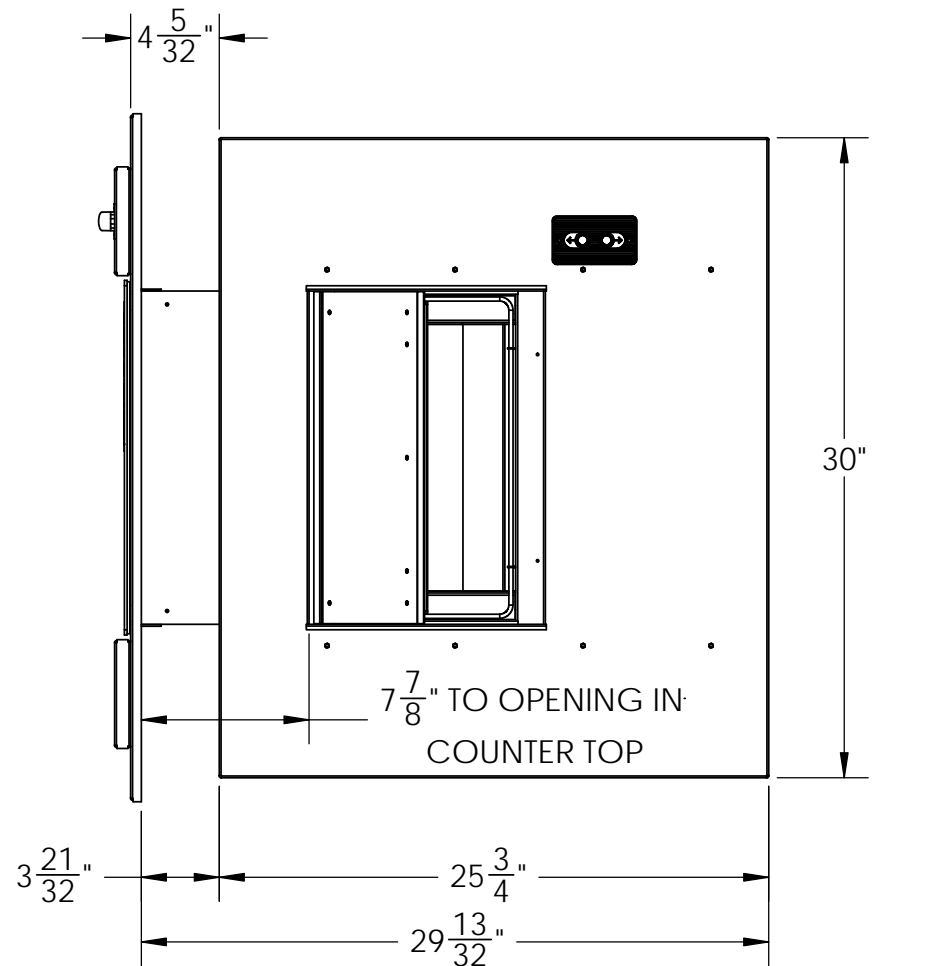
PROPRIETARY

THIS DOCUMENTATION AND INFORMATION CONTAINED ARE THE SOLE PROPERTY OF E.F. BAVIS & ASSOC., INC. IT SHALL BE RETURNED UPON REQUEST AND SHALL NOT BE REPRODUCED IN WHOLE OR IN PART, OR DISCLOSED TO ANYONE ELSE, OR USED, WITHOUT WRITTEN CONSENT OF E.F. BAVIS & ASSOC., INC.



201 GRANDIN RD.
 MAINEVILLE, OH 45039
 T: 513.677.0500
 F: 513.677.0552
 WWW.BAVIS.COM


<small>SIGNATURES</small>	<small>DATE</small>	<small>TITLE</small>
DRAWN: MJC	06/25/13	32-1/4 WIDE COUNTER TOP "U" SHAPED W/O SIDE FLANGES
CHECKED: DAL	06/25/13	
ENGR.		
<small>DIMENSIONS ARE IN INCHES</small>	<small>TOLERANCE UNLESS OTHERWISE NOTED:</small>	
<small>UNLESS OTHERWISE SPECIFIED</small>	DECIMAL ± N/A	
	FRACTION ± 1/32	
<small>ECN</small>	<small>ANGULAR ± N/A</small>	<small>SIZE</small>
14566		B
		<small>DRAWING NO.</small>
		24077194
		<small>SHEET</small>
		1
		<small>OF</small>
		1



MATERIAL: 18 GA. STAINLESS STEEL WITH #4 FINISH (CONTACT FACTORY FOR OTHER FINISHES).
 MODEL 00500993 TRANSACTION DRAWER WITH OPERATOR SWITCH IS NOT INCLUDED IN THIS KIT
 PART NUMBER 24068209 AUDIO PANEL NOT INCLUDED IN THIS KIT
 ALL DIMENSIONS AND APPEARANCE ARE SUBJECT TO CHANGE WITHOUT NOTICE.

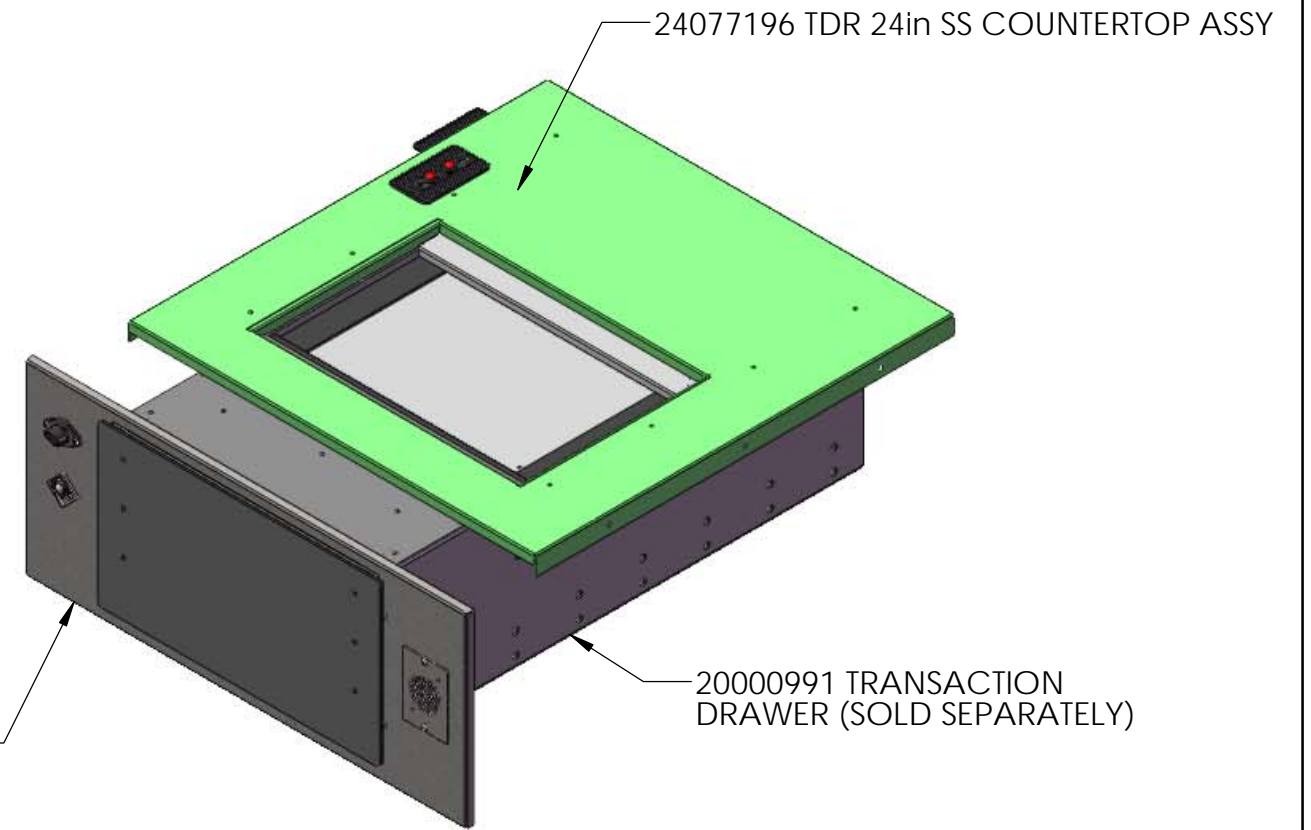
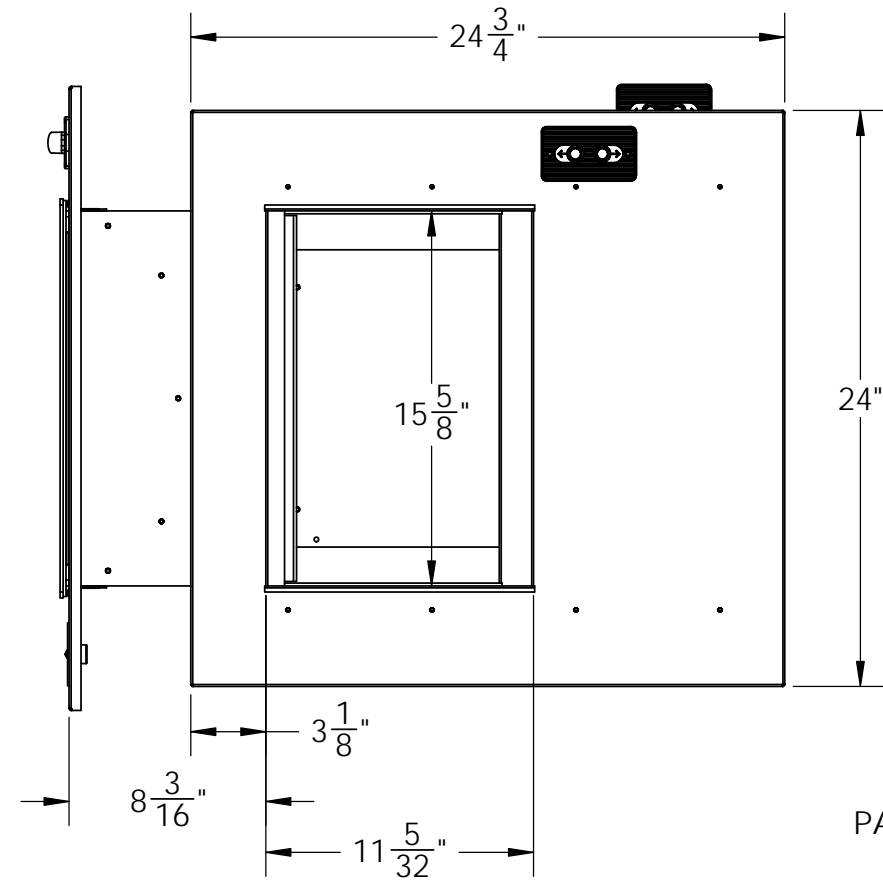
PROPRIETARY

THIS DOCUMENTATION AND INFORMATION CONTAINED ARE THE SOLE PROPERTY OF E.F.BAVIS & ASSOC., INC. IT SHALL BE RETURNED UPON REQUEST AND SHALL NOT BE REPRODUCED IN WHOLE OR IN PART, OR DISCLOSED TO ANYONE ELSE, OR USED, WITHOUT WRITTEN CONSENT OF E.F. BAVIS & ASSOC., INC.

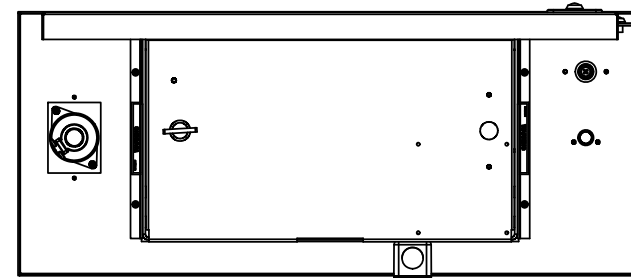
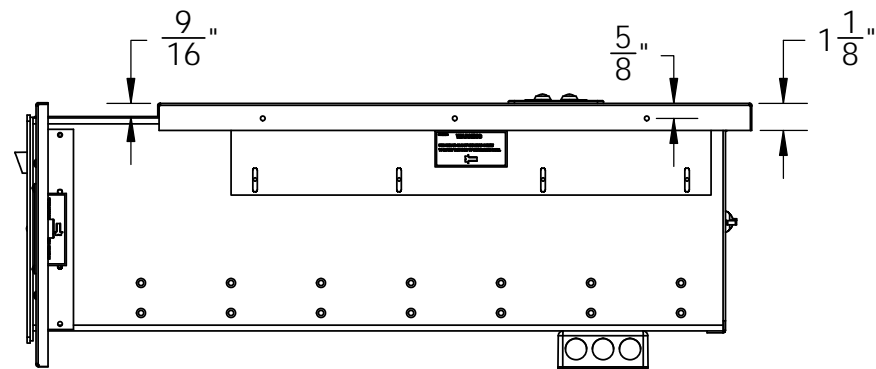


201 GRANDIN RD.
 MAINEVILLE, OH 45039
 T: 513.677.0500
 F: 513.677.0552
 WWW.BAVIS.COM

SIGNATURES		DATE	TITLE
DRAWN MJC		09/09/13	SSE XD1100 COUNTER TOP ASSM SHOWN WITH 2406829 AUDIO PANEL AND 00500993 TRANSACTION DRAWER
CHECKED			
ENGR.			
DIMENSIONS ARE IN INCHES UNLESS OTHERWISE SPECIFIED	TOLERANCE UNLESS OTHERWISE NOTED:		
	DECIMAL ±	N/A	
	FRACTION ±	1/32	
ECN	14727	ANGULAR ±	N/A
SIZE	B	DRAWING NO.	24077195
		SHEET	2
		OF	2



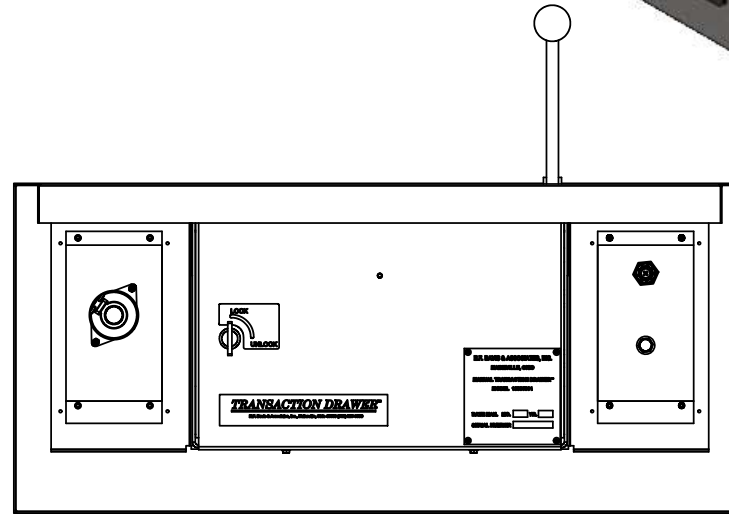
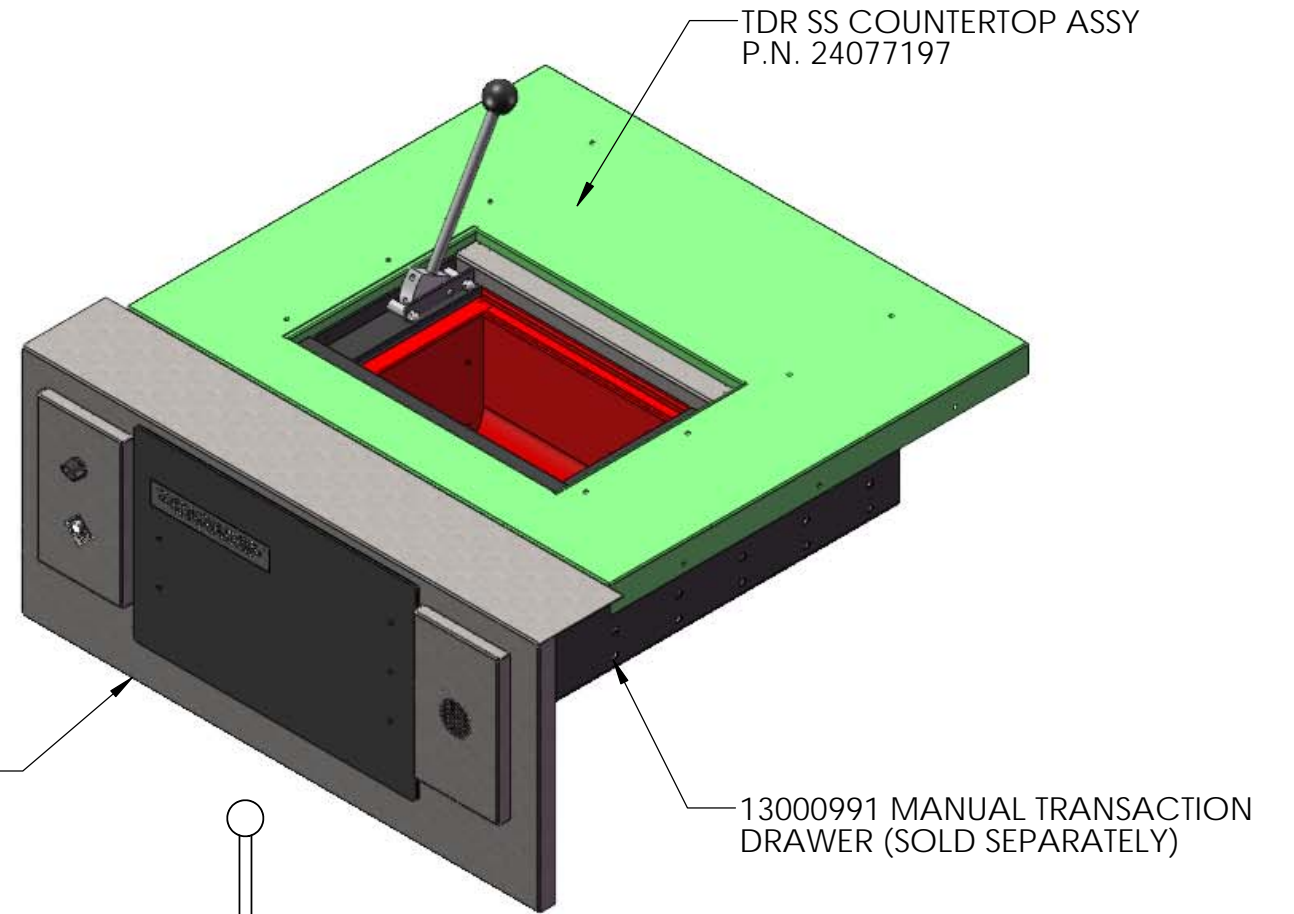
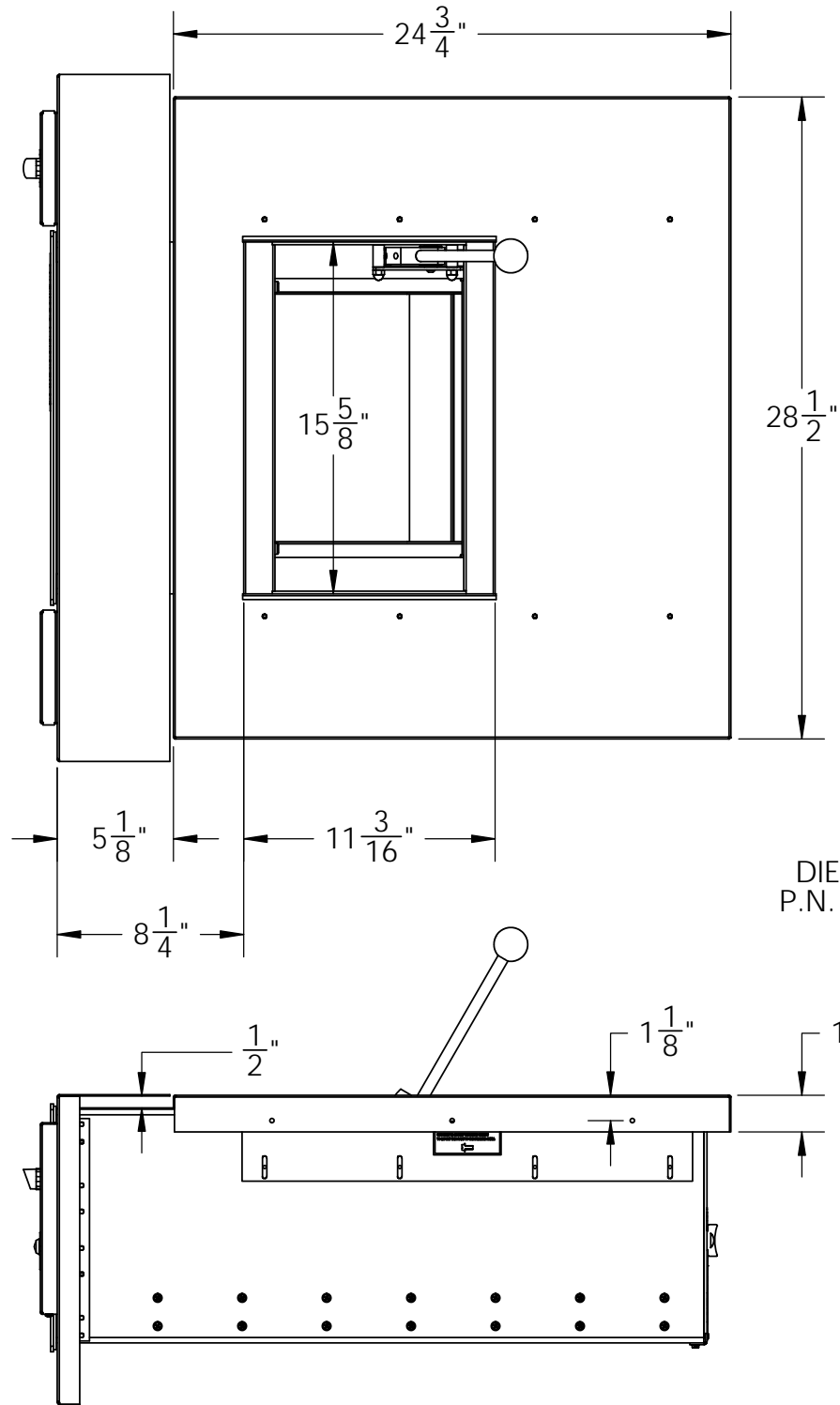
24068212 TDR 26 X 11 AUDIO PANEL ASSY (SOLD SEPARATELY)



MATERIAL: 18 GA. STAINLESS STEEL WITH #4 FINISH (CONTACT FACTORY FOR OTHER FINISHES).
 MODEL 20000991 TRANSACTION DRAWER WITH OPERATOR SWITCH IS NOT INCLUDED IN THIS KIT.
 TDR 26 X 11 AUDIO PANEL ASSY (24068212) IS NOT INCLUDED IN THIS KIT.
 ALL DIMENSIONS AND APPEARANCE ARE SUBJECT TO CHANGE WITHOUT NOTICE.

PROPRIETARY
 THIS DOCUMENTATION AND INFORMATION CONTAINED ARE THE SOLE PROPERTY OF E.F.BAVIS & ASSOC., INC.
 IT SHALL BE RETURNED UPON REQUEST AND SHALL NOT BE REPRODUCED IN WHOLE OR IN PART,
 OR DISCLOSED TO ANYONE ELSE, OR USED, WITHOUT WRITTEN CONSENT OF E.F. BAVIS & ASSOC., INC.

SIGNATURES		DATE	TITLE
DRAWN MJC		11/19/13	TDR 24in SS COUNTERTOP ASSY
CHECKED			
ENGR.			
DIMENSIONS ARE IN INCHES	TOLERANCE UNLESS OTHERWISE NOTED:		
UNLESS OTHERWISE SPECIFIED	DECIMAL ±	N/A	
ECN 14972	FRACTION ±	1/32	
	ANGULAR ±	N/A	
SIZE B	DRAWING NO. 24077196	SHEET 2 OF 2	Pg. 83



MATERIAL: 18 GA. STAINLESS STEEL WITH #4 FINISH (CONTACT FACTORY FOR OTHER FINISHES).

MODEL 13000991 MANUAL TRANSACTION DRAWER IS NOT INCLUDED IN THIS KIT.

DIEBOLD TDR CUST PANEL ASSY 7, (P.N. 24068213), IS NOT INCLUDED IN THIS KIT.

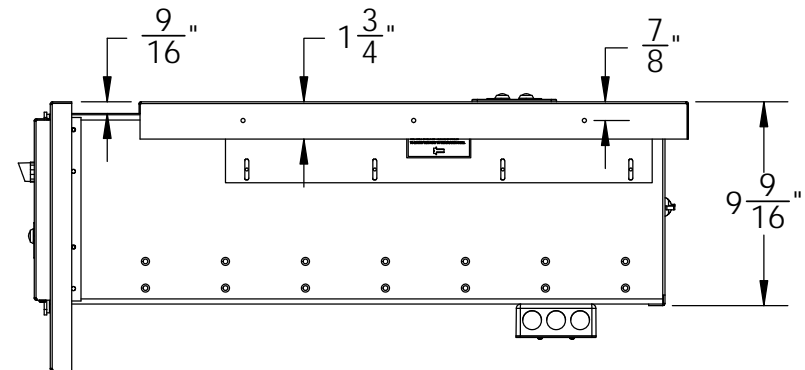
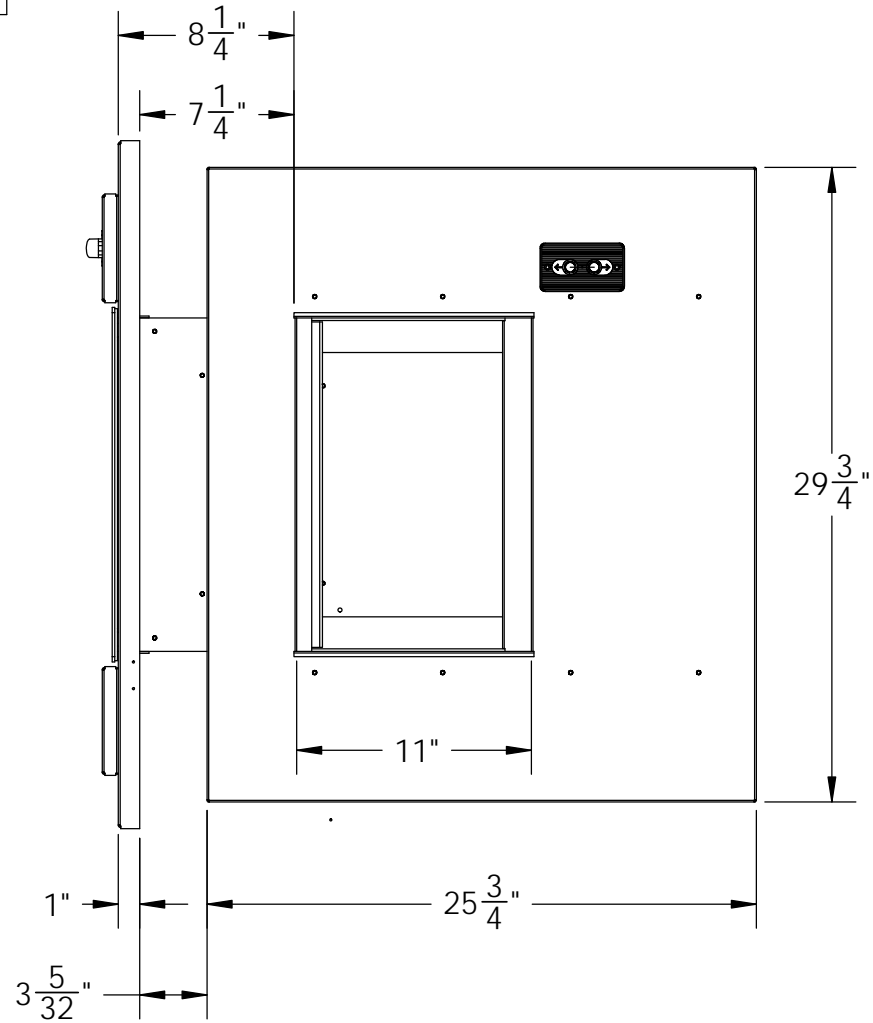
ALL DIMENSIONS AND APPEARANCE ARE SUBJECT TO CHANGE WITHOUT NOTICE.

PROPRIETARY
THIS DOCUMENTATION AND INFORMATION CONTAINED ARE THE SOLE PROPERTY OF E.F. BAVIS & ASSOC., INC. IT SHALL BE RETURNED UPON REQUEST AND SHALL NOT BE REPRODUCED IN WHOLE OR IN PART, OR DISCLOSED TO ANYONE ELSE, OR USED, WITHOUT WRITTEN CONSENT OF E.F. BAVIS & ASSOC., INC.

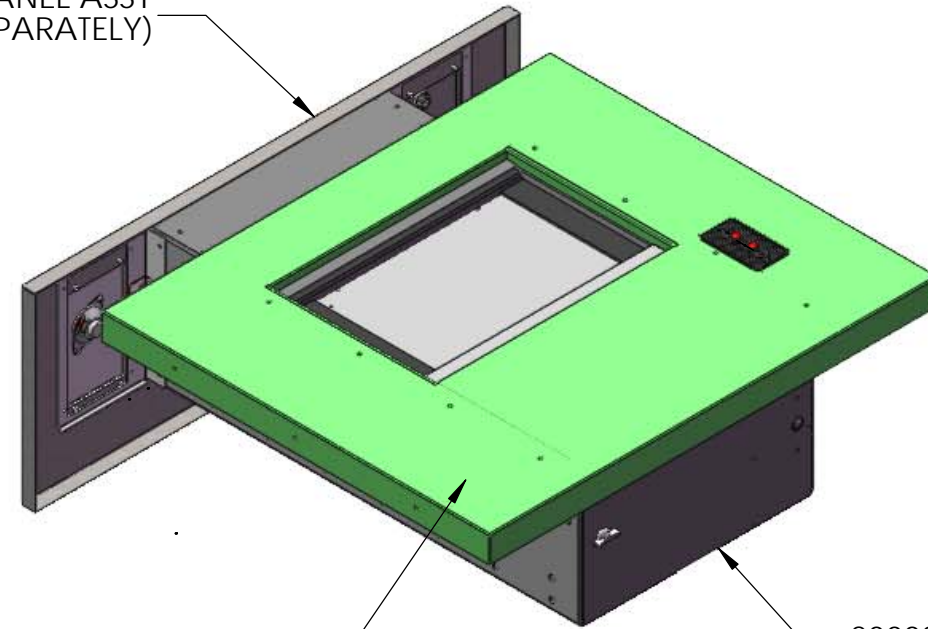


201 GRANDIN RD.
MAINEVILLE, OH 45039
T: 513.677.0500
F: 513.677.0552
WWW.BAVIS.COM

SIGNATURES		DATE	TITLE
DRAWN MJC		12/23/13	TDR SS COUTERTOP ASSY. NO OPERATOR SWITCH HOLE
CHECKED			
ENGR.			
DIMENSIONS ARE IN INCHES	TOLERANCE UNLESS OTHERWISE NOTED:		
UNLESS OTHERWISE SPECIFIED	DECIMAL ± 0.010		
	FRACTION ± N/A		
ECN 14996	ANGULAR ± N/A	SIZE B	DRAWING NO. 24077197
		SHEET 2	OF 2

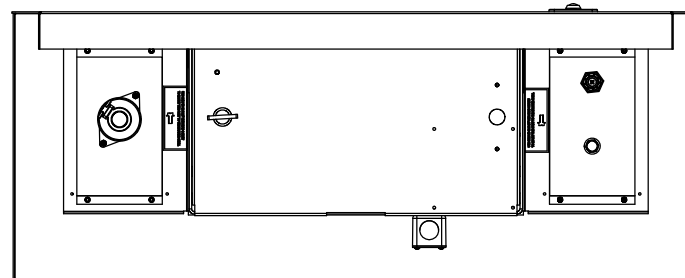


24068223 SSE IXT-MTD TDR PANEL ASSY (SOLD SEPARATELY)



24077198 SSE IXT-MTD TDR COUNTERTOP ASSY

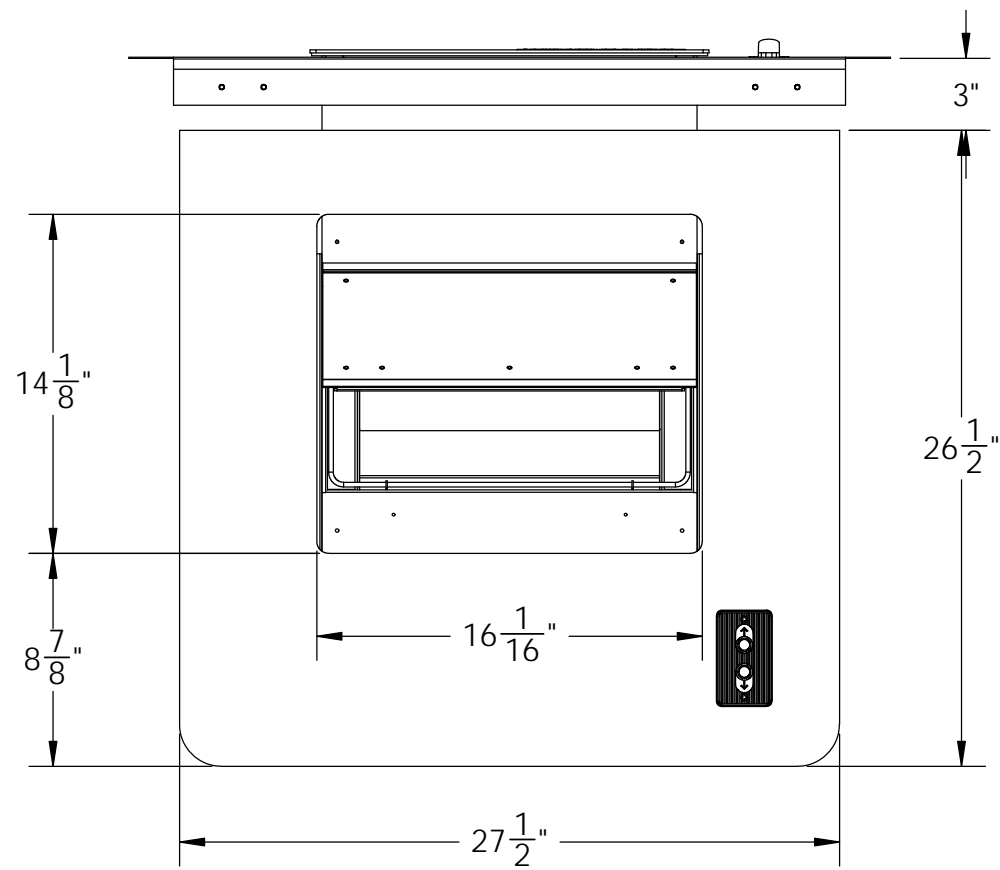
20000991 SMALL TRANSACTION DRAWER (SOLD SEPARATELY)



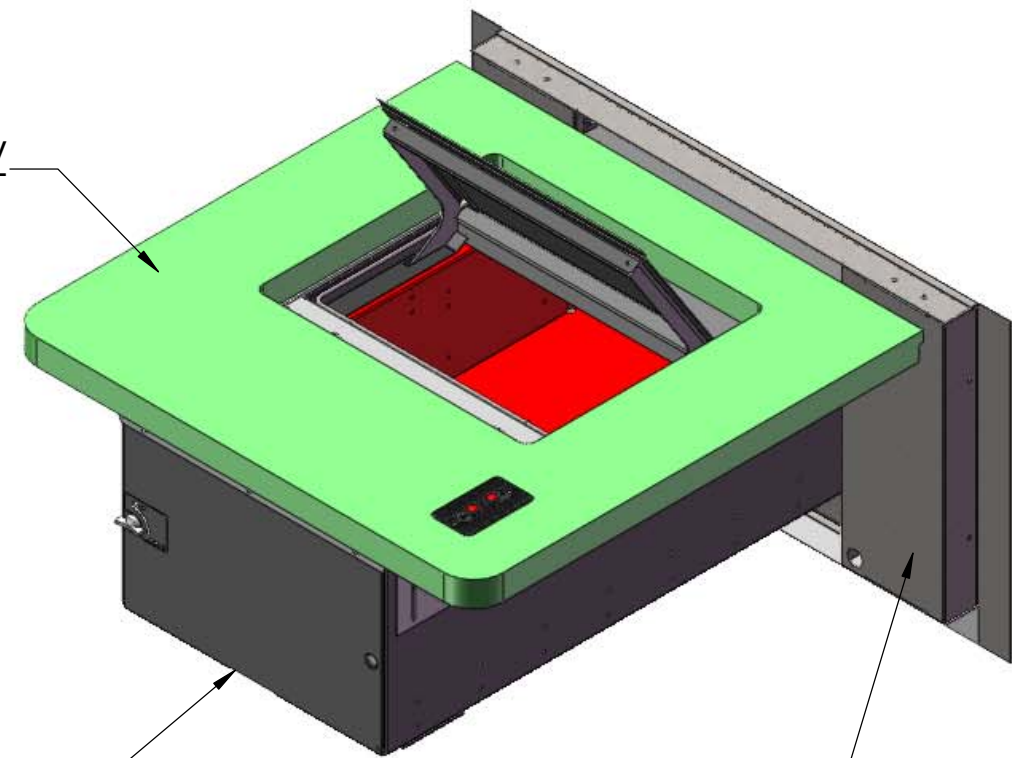
MATERIAL: 18 GA. STAINLESS STEEL WITH #4 FINISH (CONTACT FACTORY FOR OTHER FINISHES).
 MODEL 20000991 TRANSACTION DRAWER WITH OPERATOR SWITCH IS NOT INCLUDED IN THIS KIT
 PART NUMBER 24068223 AUDIO PANEL NOT INCLUDED IN THIS KIT
 ALL DIMENSIONS AND APPEARANCE ARE SUBJECT TO CHANGE WITHOUT NOTICE.

PROPRIETARY
 THIS DOCUMENTATION AND INFORMATION CONTAINED ARE THE SOLE PROPERTY OF E.F.BAVIS & ASSOC., INC. IT SHALL BE RETURNED UPON REQUEST AND SHALL NOT BE REPRODUCED IN WHOLE OR IN PART, OR DISCLOSED TO ANYONE ELSE, OR USED, WITHOUT WRITTEN CONSENT OF E.F. BAVIS & ASSOC., INC.

SIGNATURES		DATE	TITLE
DRAWN MJC		08/24/15	SSE IXT-MTD COUNTERTOP ASSY
CHECKED			
ENGR.			
DIMENSIONS ARE IN INCHES	TOLERANCE UNLESS OTHERWISE NOTED:		SIZE B DRAWING NO. 24077198 SHEET 1 OF 1
UNLESS OTHERWISE SPECIFIED	DECIMAL ±	N/A	
ECN 16734	FRACTION ±	1/32	
	ANGULAR ±	N/A	

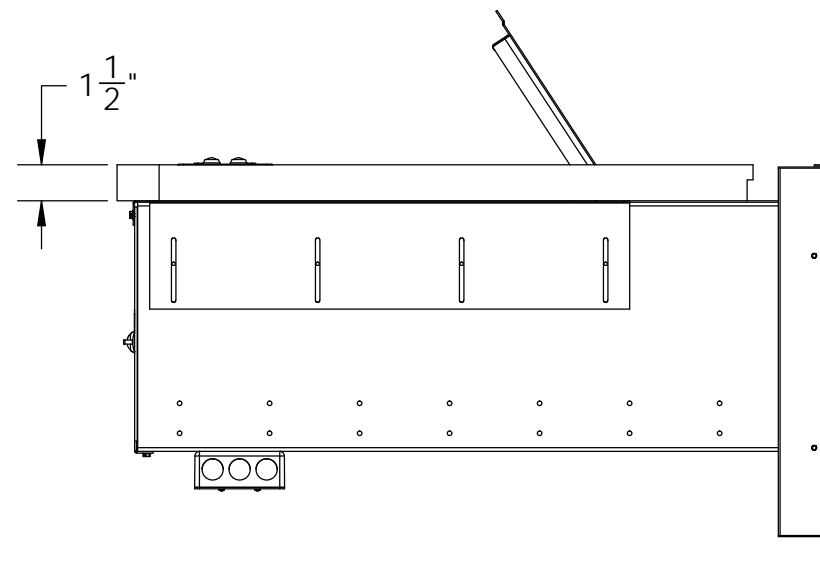
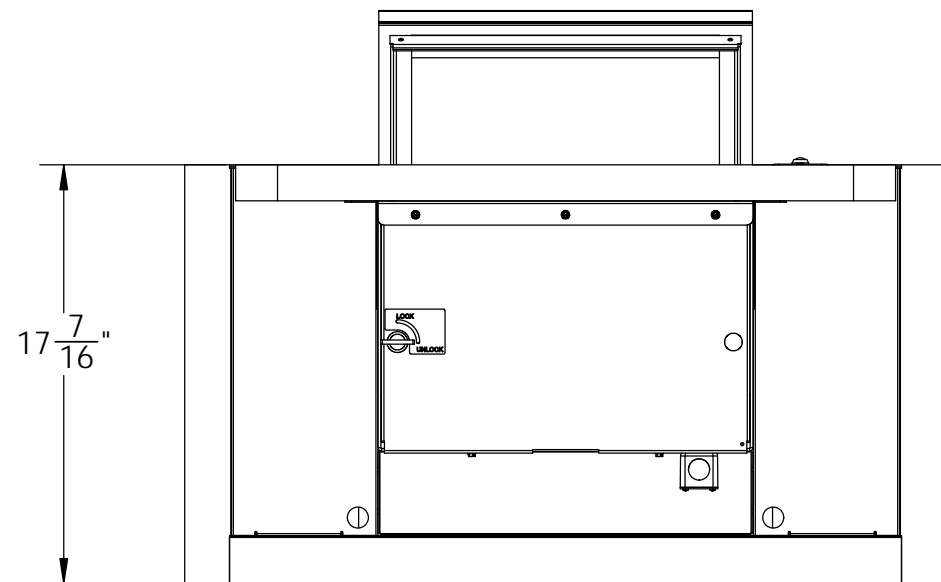


24077199 QUICKSERV COUNTERTOP KIT



00500993 TRANSACTION DRAWER (SOLD SAPARATELY)

24068225 QUICKSERV TDR PANEL ASSY(SOLD SEPARATELY)



LAMINATE & EDGING: BLACK (CONTACT THE FACTORY FOR OTHER FINISHES)

BACKER ON BOTTOM

DIMENSIONS AND APPEARANCES ARE SUBJECT TO CHANGE WITHOUT NOTICE

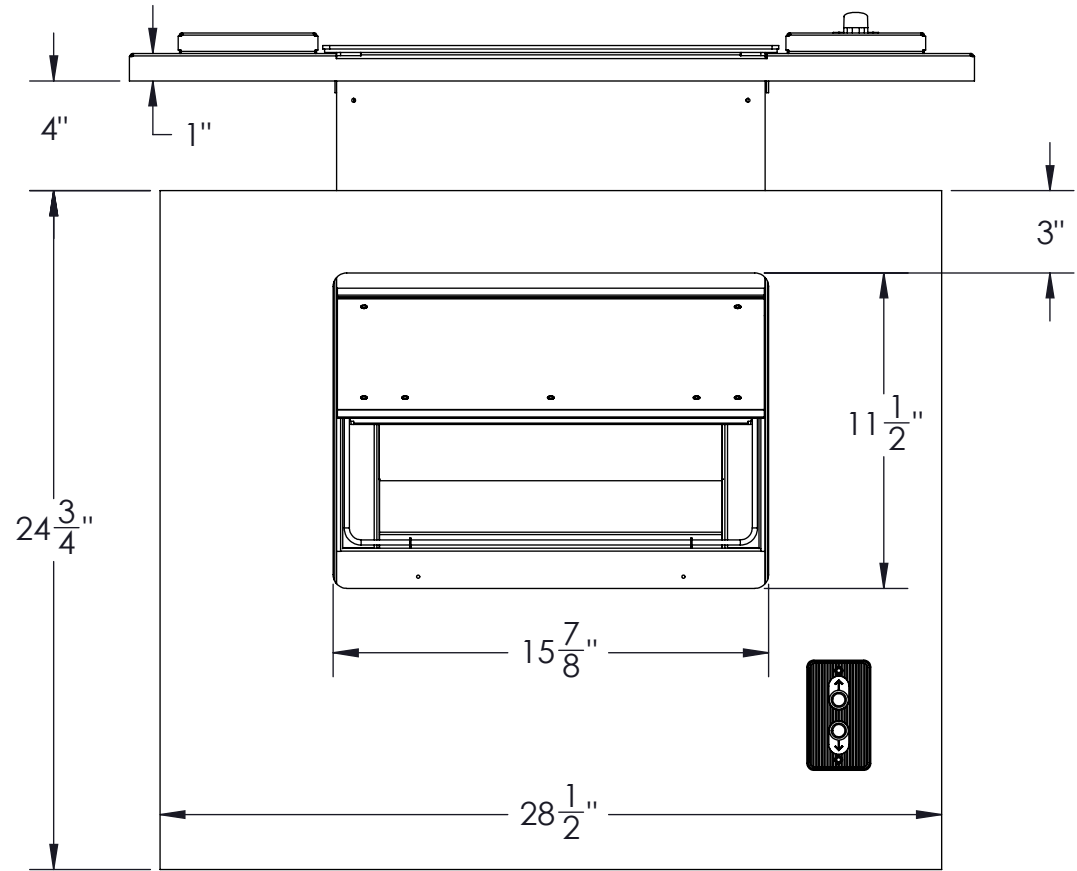
00500993 TRANSACTION DRAWERAND 24058225 TDR PANEL ARE NOT INCLUDED AND SOLD SEPARATELY

PROPRIETARY
 THIS DOCUMENTATION AND INFORMATION CONTAINED ARE THE SOLE PROPERTY OF E.F.BAVIS & ASSOC., INC. IT SHALL BE RETURNED UPON REQUEST AND SHALL NOT BE REPRODUCED IN WHOLE OR IN PART, OR DISCLOSED TO ANYONE ELSE, OR USED, WITHOUT WRITTEN CONSENT OF E.F. BAVIS & ASSOC., INC.

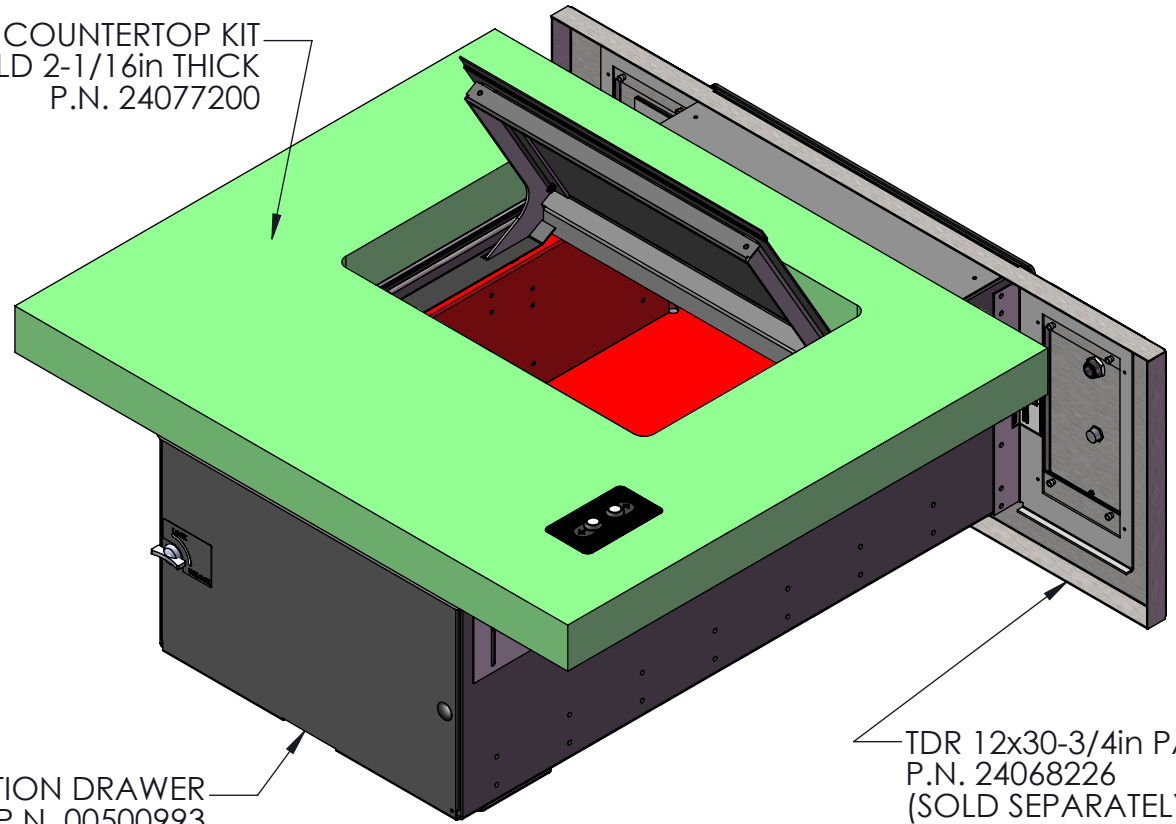


201 GRANDIN RD.
 MAINEVILLE, OH 45039
 T: 513.677.0500
 F: 513.677.0552
 WWW.BAVIS.COM

SIGNATURES		DATE	TITLE
DRAWN MJC		01/18/16	QUICKSERV COUNTERTOP KIT
CHECKED			
ENGR.			
DIMENSIONS ARE IN INCHES	TOLERANCE UNLESS OTHERWISE NOTED:		
UNLESS OTHERWISE SPECIFIED	DECIMAL ±	N/A	
	FRACTION ±	1/32	
ECN	ANGULAR ±	N/A	
17046		SIZE B	DRAWING NO. 24077199
		SHEET 1	OF 1

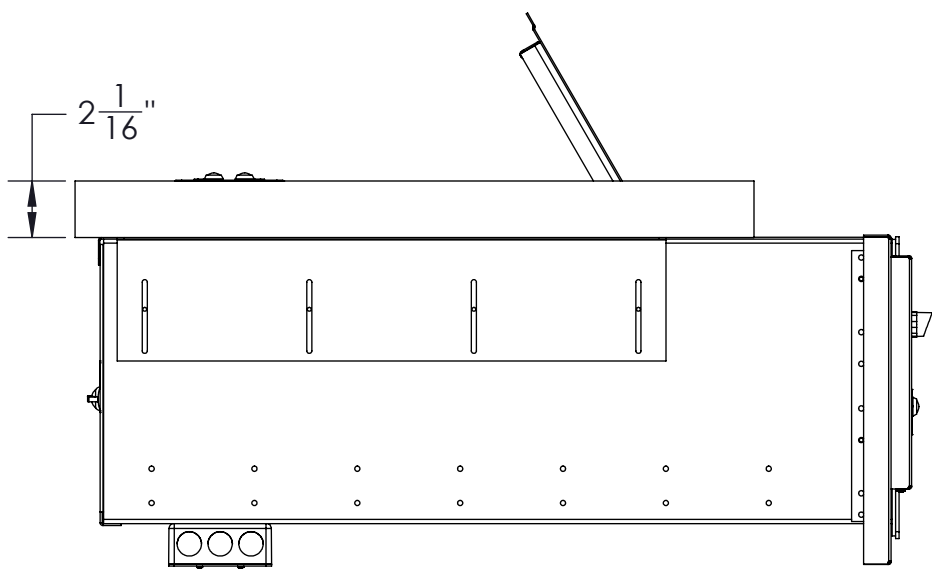
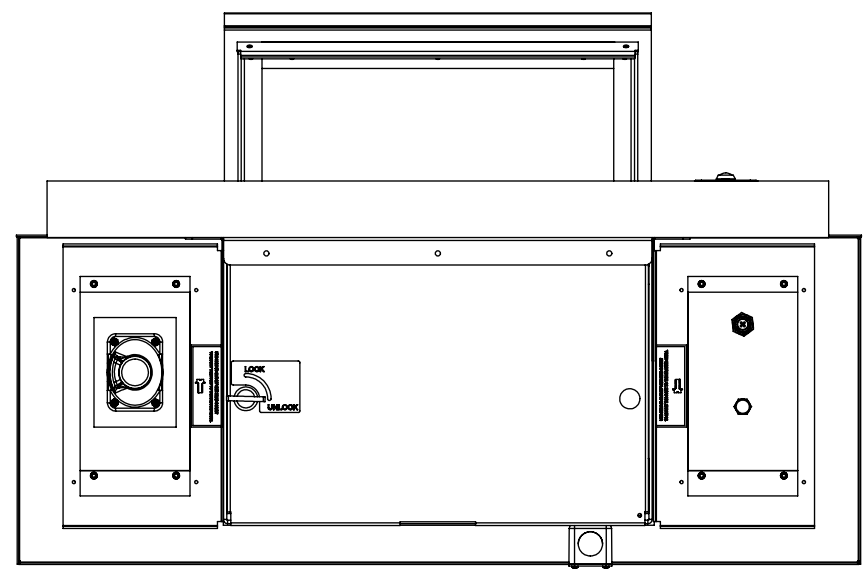


TDR LAMINATED COUNTERTOP KIT
DIEBOLD 2-1/16in THICK
P.N. 24077200



TRANSACTION DRAWER
P.N. 00500993
(SOLD SEPARATELY)


TDR 12x30-3/4in PANEL ASSY
P.N. 24068226
(SOLD SEPARATELY)



LAMINATE & EDGING: BLACK (CONTACT THE FACTORY FOR OTHER FINISHES)
 BACKER ON BOTTOM
 DIMENSIONS AND APPEARANCES ARE SUBJECT TO CHANGE WITHOUT NOTICE
 00500993 TRANSACTION DRAWER AND 24068226 TDR PANEL ARE NOT INCLUDED AND SOLD SEPARATELY

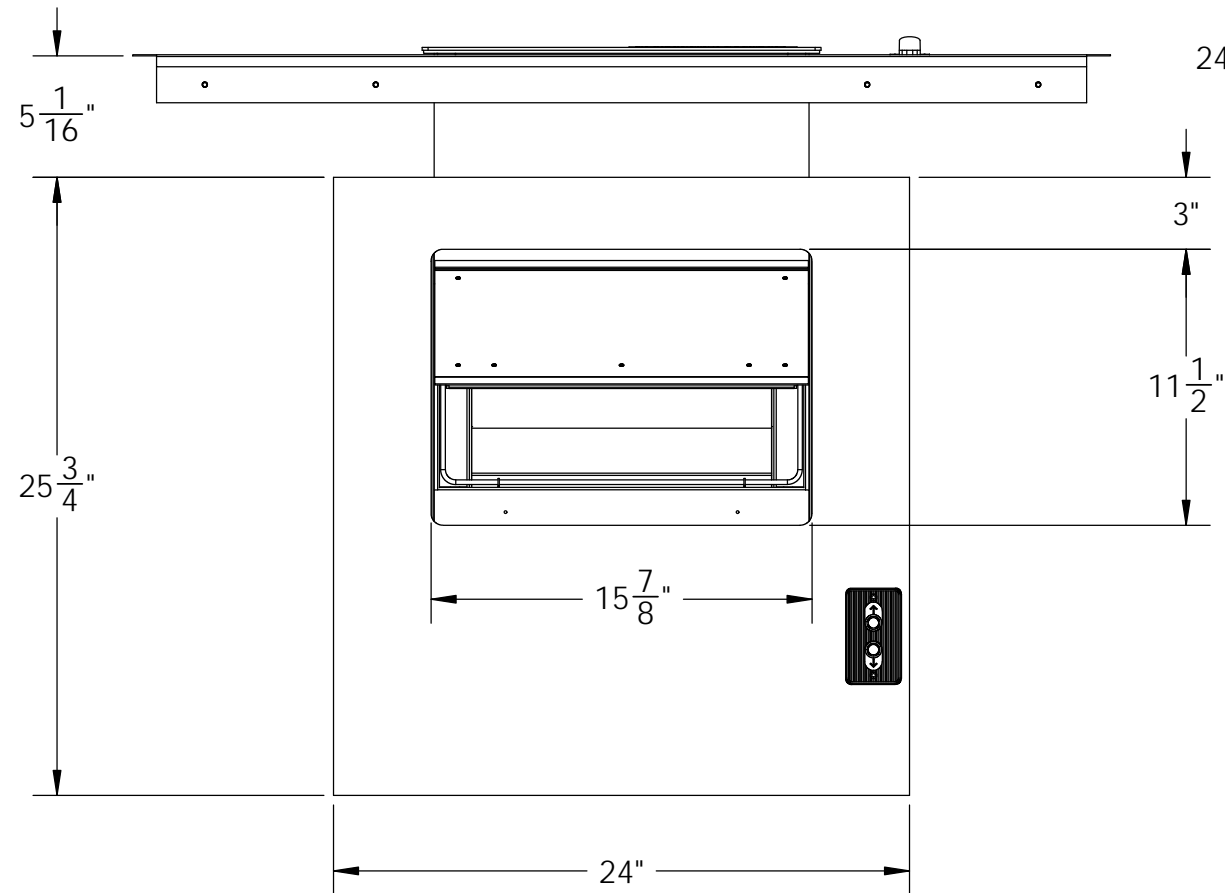
PROPRIETARY

THIS DOCUMENTATION AND INFORMATION CONTAINED ARE THE SOLE PROPERTY OF E.F. BAVIS & ASSOC., INC. IT SHALL BE RETURNED UPON REQUEST AND SHALL NOT BE REPRODUCED IN WHOLE OR IN PART, OR DISCLOSED TO ANYONE ELSE, OR USED, WITHOUT WRITTEN CONSENT OF E.F. BAVIS & ASSOC., INC.

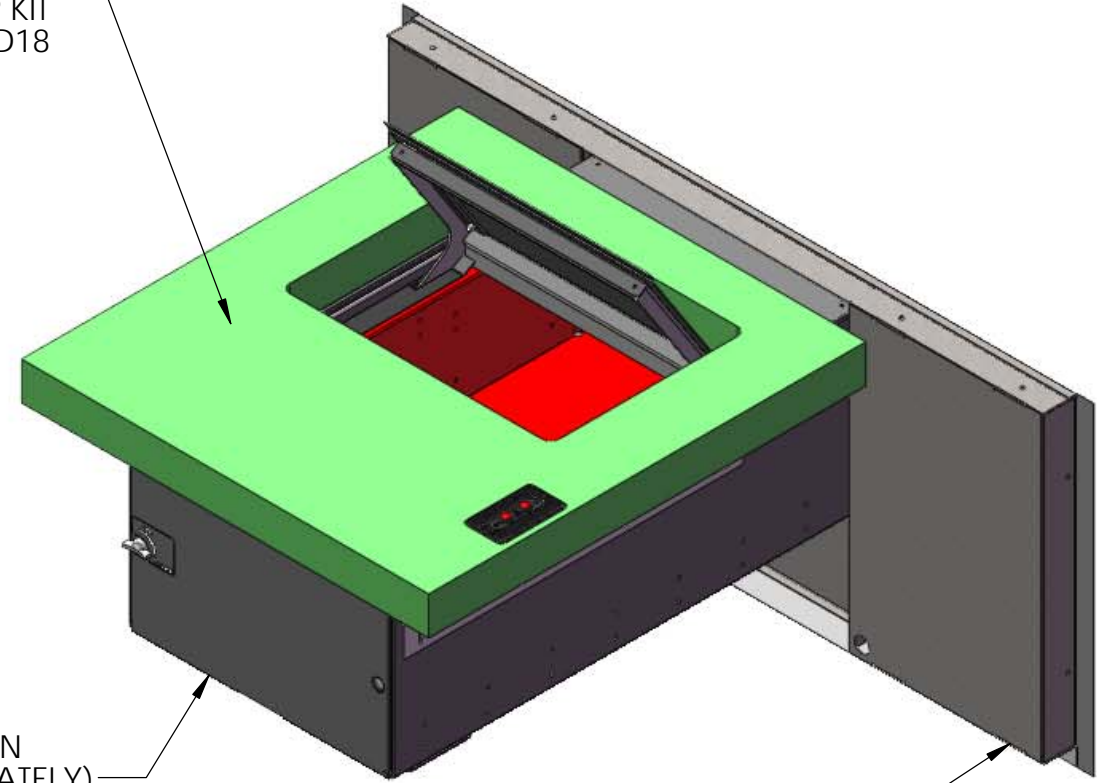


201 GRANDIN RD.
MAINEVILLE, OH 45039
T: 513.677.0500
F: 513.677.0552
WWW.BAVIS.COM

SIGNATURES	DATE	TITLE
DRAWN: MJC	02/06/17	TDR LAMINATED COUNTER TOP KIT DIEBOLD 2-1/16in THICK
CHECKED:		
ENGR.:		
DIMENSIONS ARE IN INCHES	TOLERANCE UNLESS OTHERWISE NOTED:	
UNLESS OTHERWISE SPECIFIED	DECIMAL ± N/A	SIZE B
ECN 18049	FRACTION ± 1/32	DRAWING NO. 24077200
	ANGULAR ± N/A	SHEET 1 OF 1

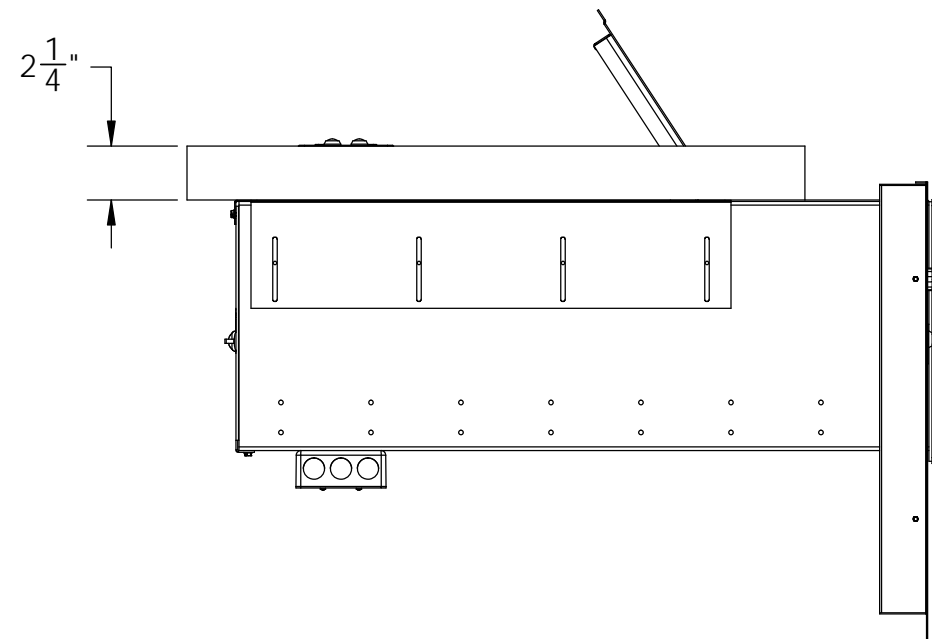
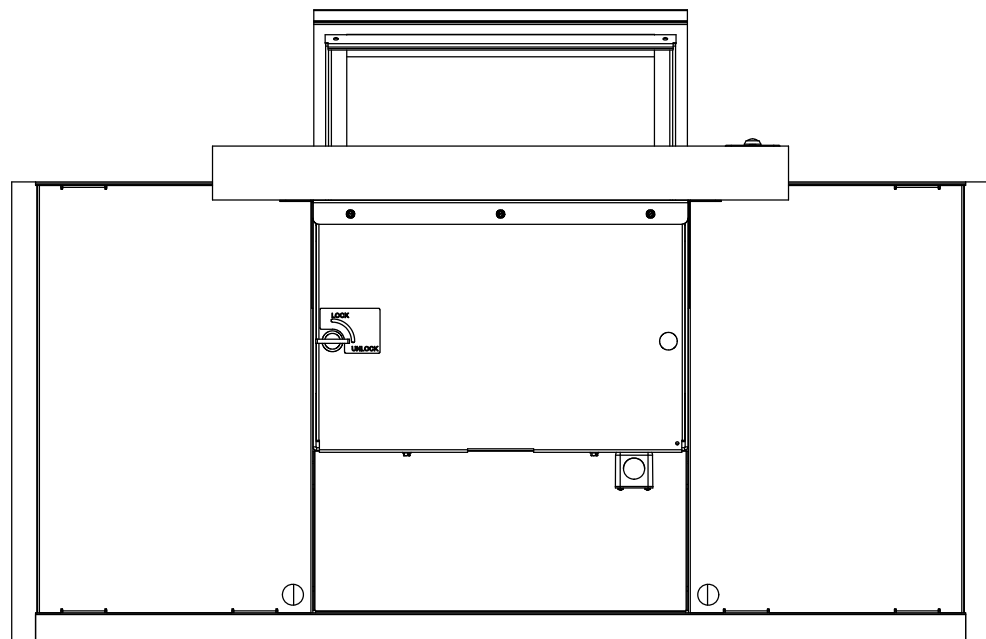


24077201 TDR 24 X 25-3/4 X 2-1/4
LAMINATED COUNTERTOP KIT
HAMILTON DCD18



00500993 TRANSACTION
DRAWER (SOLD SEPARATELY)

24068229 HAMILTON DCD18 TDR
PANEL ASSY (SOLD SEPARATELY)



LAMINATE & EDGING: BLACK (CONTACT THE FACTORY FOR OTHER FINISHES)


BACKER ON BOTTOM

DIMENSIONS AND APPEARANCES ARE SUBJECT TO CHANGE WITHOUT NOTICE

00500993 TRANSACTION DRAWER AND 24068226 TDR PANEL ARE NOT INCLUDED AND SOLD SEPARATELY

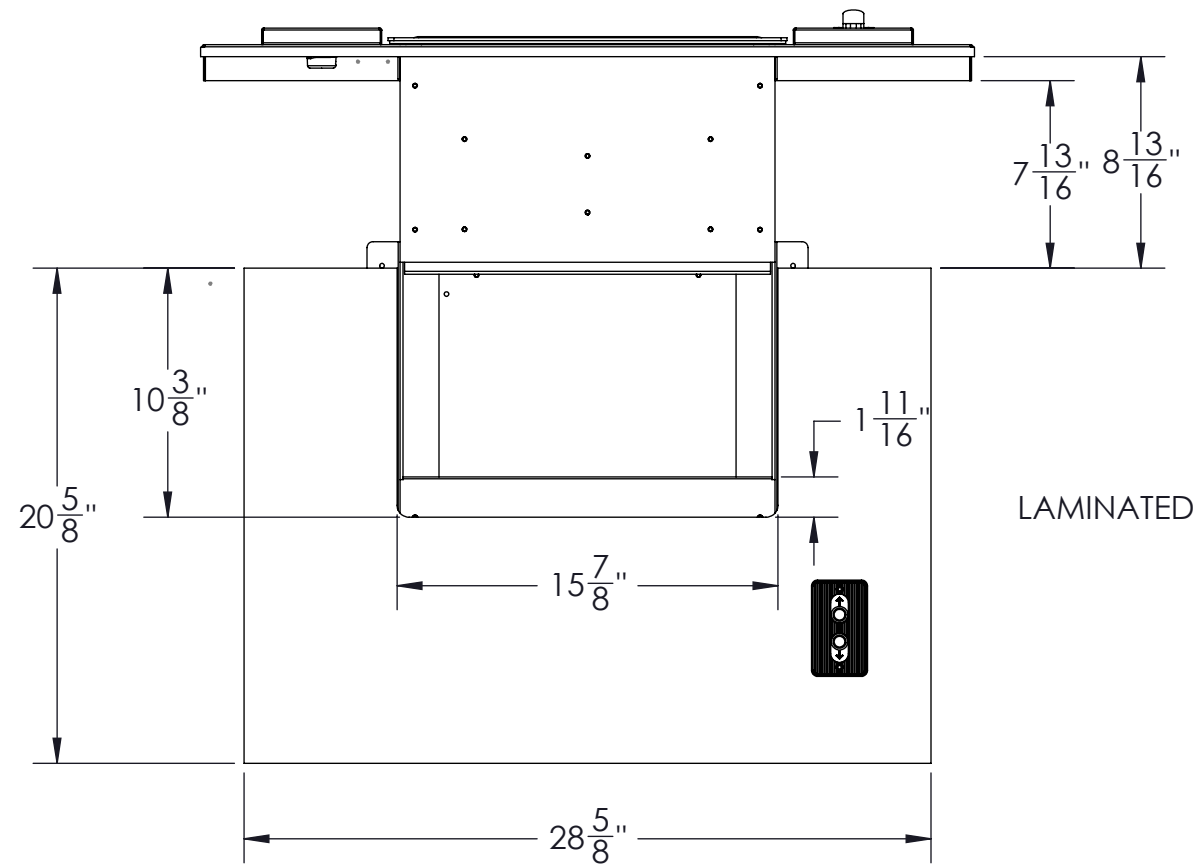
PROPRIETARY

THIS DOCUMENTATION AND INFORMATION CONTAINED ARE THE SOLE PROPERTY OF E.F. BAVIS & ASSOC., INC. IT SHALL BE RETURNED UPON REQUEST AND SHALL NOT BE REPRODUCED IN WHOLE OR IN PART, OR DISCLOSED TO ANYONE ELSE, OR USED, WITHOUT WRITTEN CONSENT OF E.F. BAVIS & ASSOC., INC.

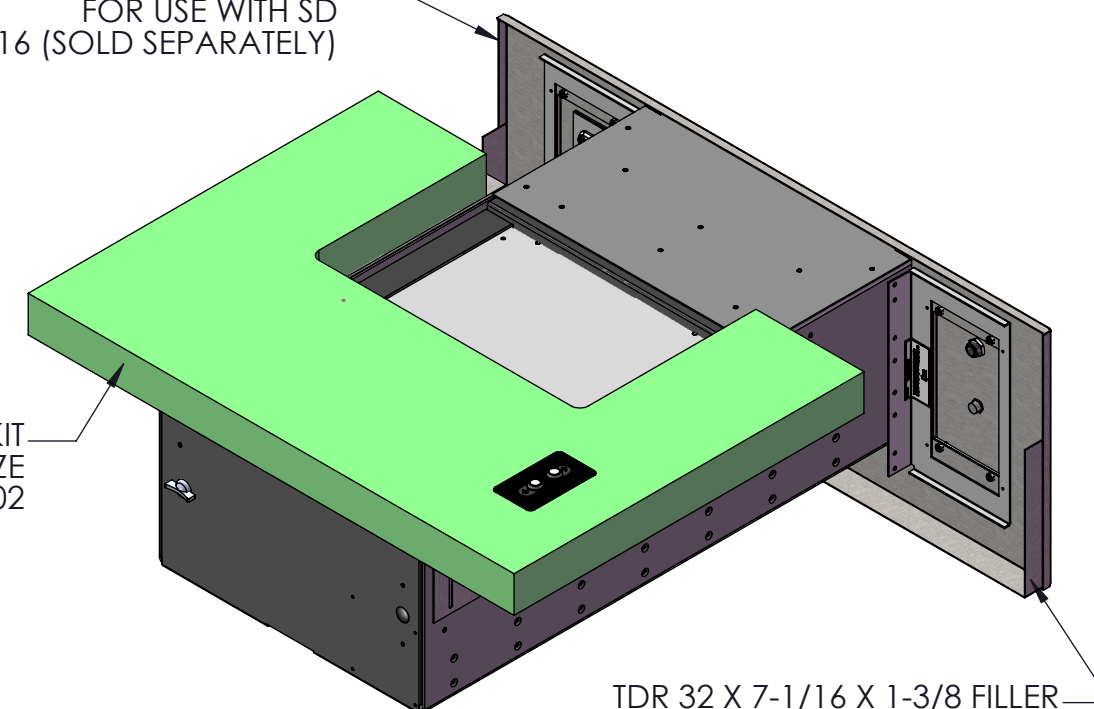


201 GRANDIN RD.
MAINEVILLE, OH 45039
T: 513.677.0500
F: 513.677.0552
WWW.BAVIS.COM

<small>SIGNATURES</small>	<small>DATE</small>	<small>TITLE</small>
DRAWN MJC	02/06/17	TDR LAMINATED COUNTERTOP KIT HAMILTON DCD18 24 X 25-3/4 X 2-14
CHECKED		
ENGR.		
<small>DIMENSIONS ARE IN INCHES</small>	<small>TOLERANCE UNLESS OTHERWISE NOTED:</small>	
<small>UNLESS OTHERWISE SPECIFIED</small>	DECIMAL ± N/A	
ECN 18048	FRACTION ± 1/32	<small>SIZE</small> B
	ANGULAR ± N/A	<small>DRAWING NO.</small> 24077201
		<small>SHEET</small> 1 OF 1

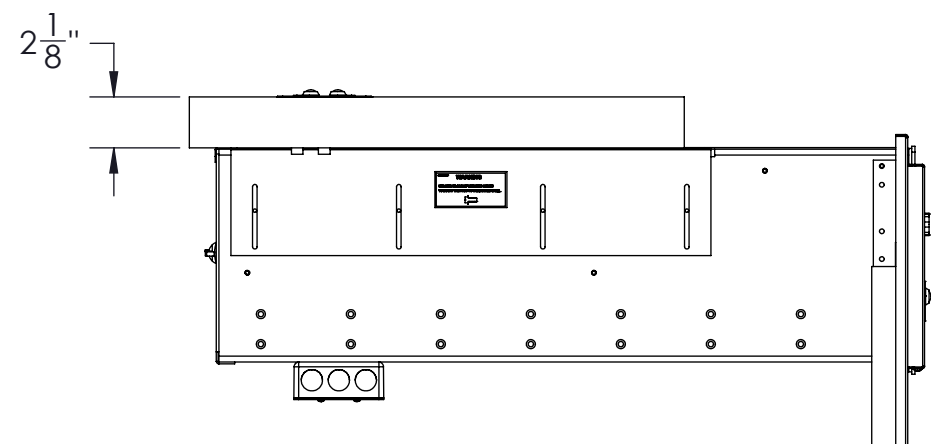
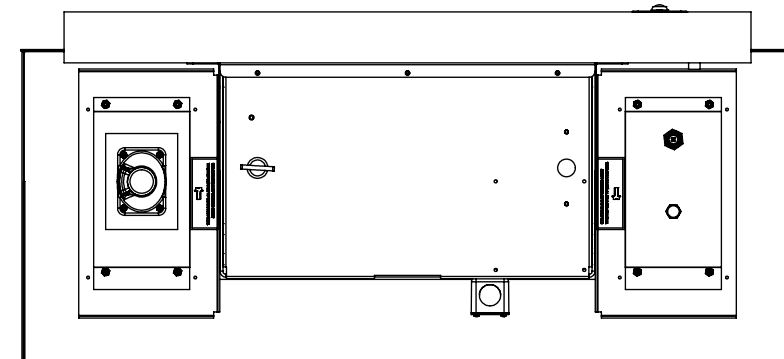


SSE XD 1100 TDR CUST PANEL ASSY.
FOR USE WITH SD
P.N. 24068216 (SOLD SEPARATELY)



LAMINATED TDR COUNTERTOP KIT
DIEBOLD SIZE
P.N. 24077202

TDR 32 X 7-1/16 X 1-3/8 FILLER
P.N. 24050102 (SOLD SEPARATELY)



BLACK LAMINATE AND EDGE BANDING ON TOP, SIDES AND OPENING (CONTACT FACTORY FOR OTHER FINISHES)


BACKER ON BOTTOM (ALL DIMENSIONS INCLUDE EDGE BANDING AND LAMINATE)

DIMENSIONS AND APPEARANCES ARE SUBJECT TO CHANGE WITHOUT NOTICE

20000991 TRANSACTION DRAWER WITH SWITCH, 24068216 PANEL AND 24050102 FILLER ARE NOT INCLUDED AND SOLD SEPARATELY

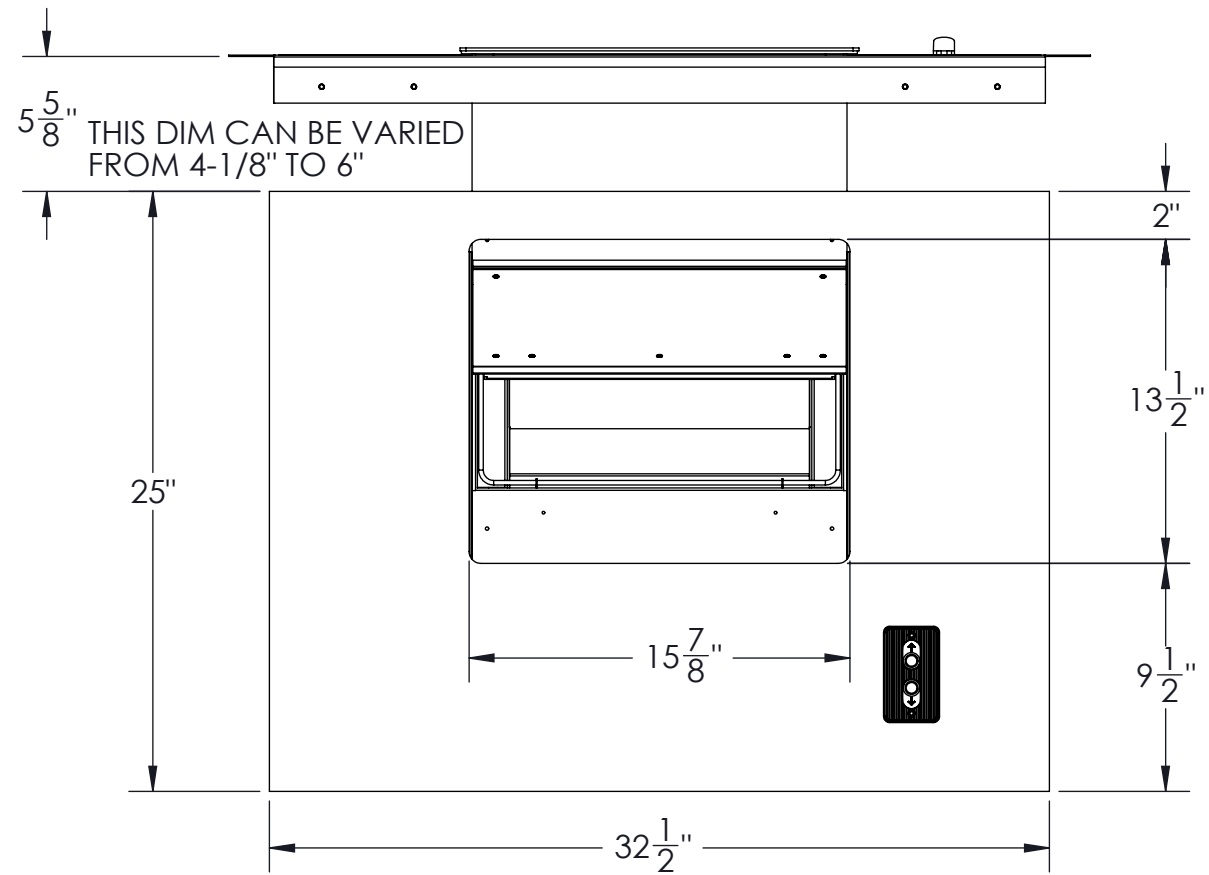
PROPRIETARY

THIS DOCUMENTATION AND INFORMATION CONTAINED ARE THE SOLE PROPERTY OF E.F. BAVIS & ASSOC., INC. IT SHALL BE RETURNED UPON REQUEST AND SHALL NOT BE REPRODUCED IN WHOLE OR IN PART, OR DISCLOSED TO ANYONE ELSE, OR USED, WITHOUT WRITTEN CONSENT OF E.F. BAVIS & ASSOC., INC.

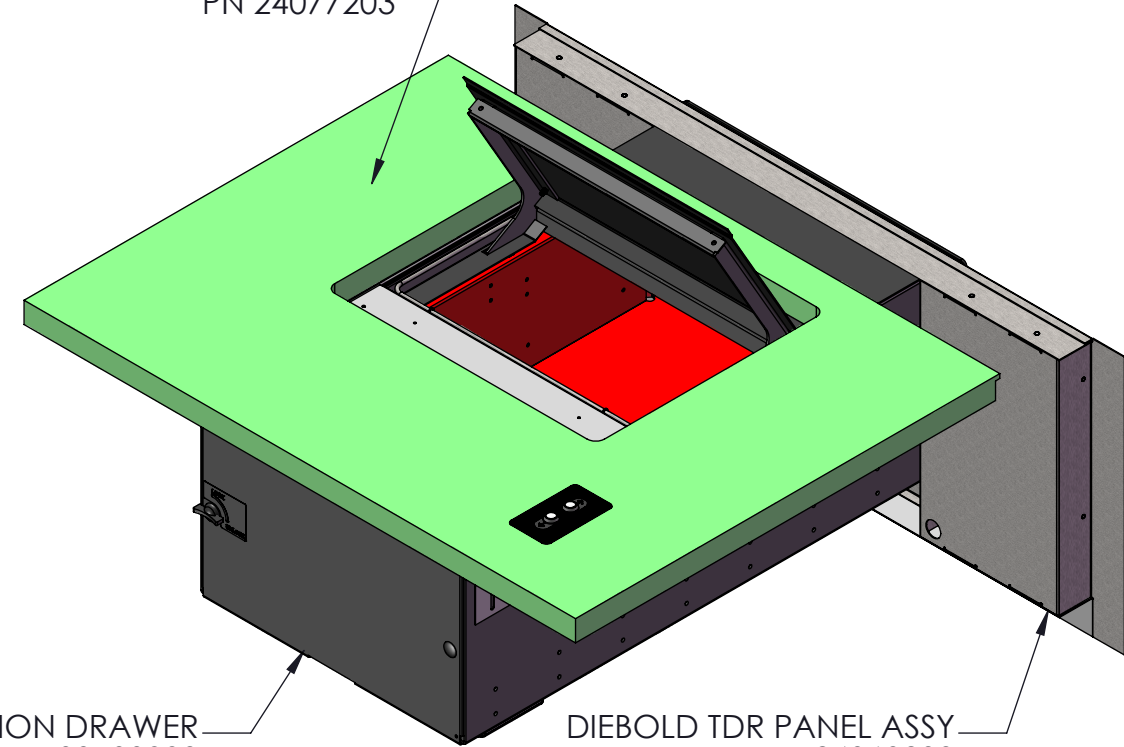


201 GRANDIN RD.
MAINEVILLE, OH 45039
T: 513.677.0500
F: 513.677.0552
WWW.BAVIS.COM

SIGNATURES		DATE	TITLE
DRAWN MJC		02/08/17	LAMINATED TDR COUNTERTOP DIEBOLD WIDTH
CHECKED			
ENGR.			
DIMENSIONS ARE IN INCHES		TOLERANCE UNLESS OTHERWISE NOTED:	
UNLESS OTHERWISE SPECIFIED		DECIMAL ± N/A	
ECN 18071		FRACTION ± 1/32	
		ANGULAR ± N/A	
SIZE B	DRAWING NO. 24077202	SHEET 1 OF 1	Pg. 89

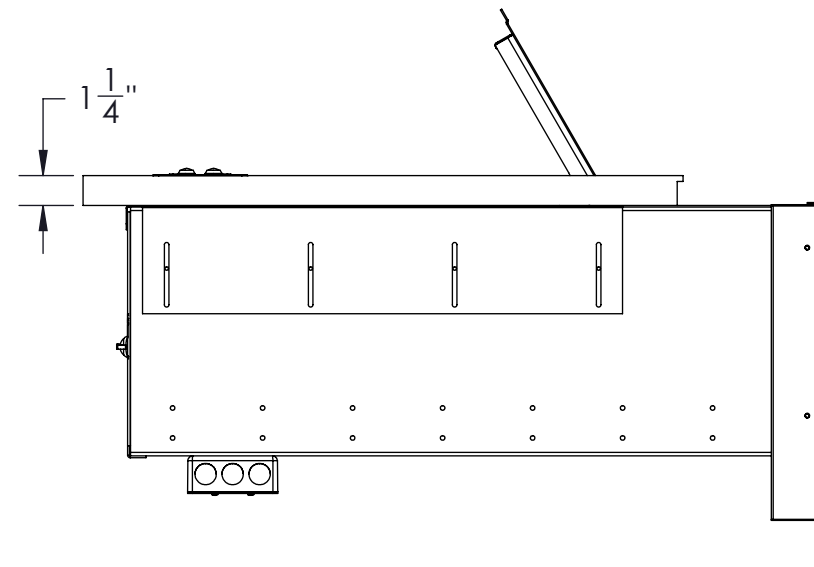
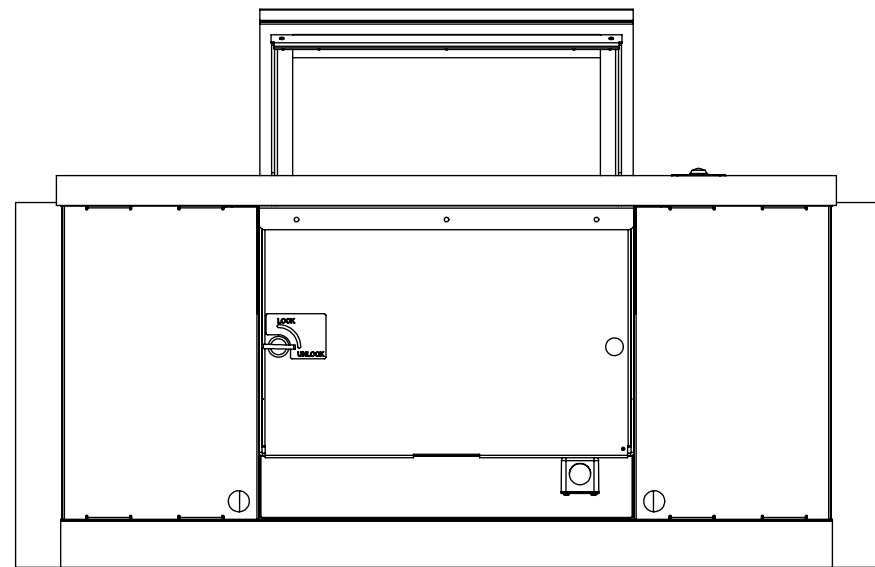


TDR LAMINATED COUNTERTOP KIT
PN 24077203



TRANSACTION DRAWER
PN 00500993
(SOLD SEPARATELY)

DIEBOLD TDR PANEL ASSY
P.N. 24068233
(SOLD SEPARATELY)



LAMINATE & EDGING: BLACK (CONTACT THE FACTORY FOR OTHER FINISHES)

BACKER ON BOTTOM

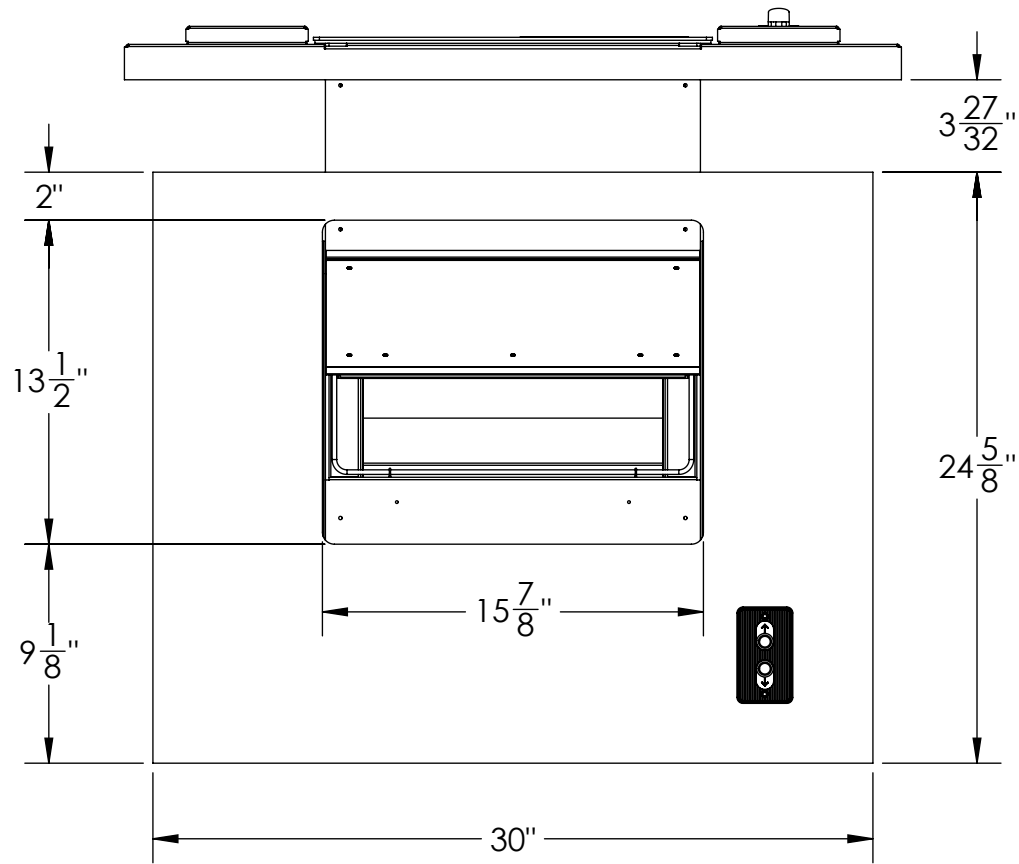
DIMENSIONS AND APPEARANCES ARE SUBJECT TO CHANGE WITHOUT NOTICE

00500993 TRANSACTION DRAWER AND 24068233 TDR PANEL ARE NOT INCLUDED AND SOLD SEPARATELY

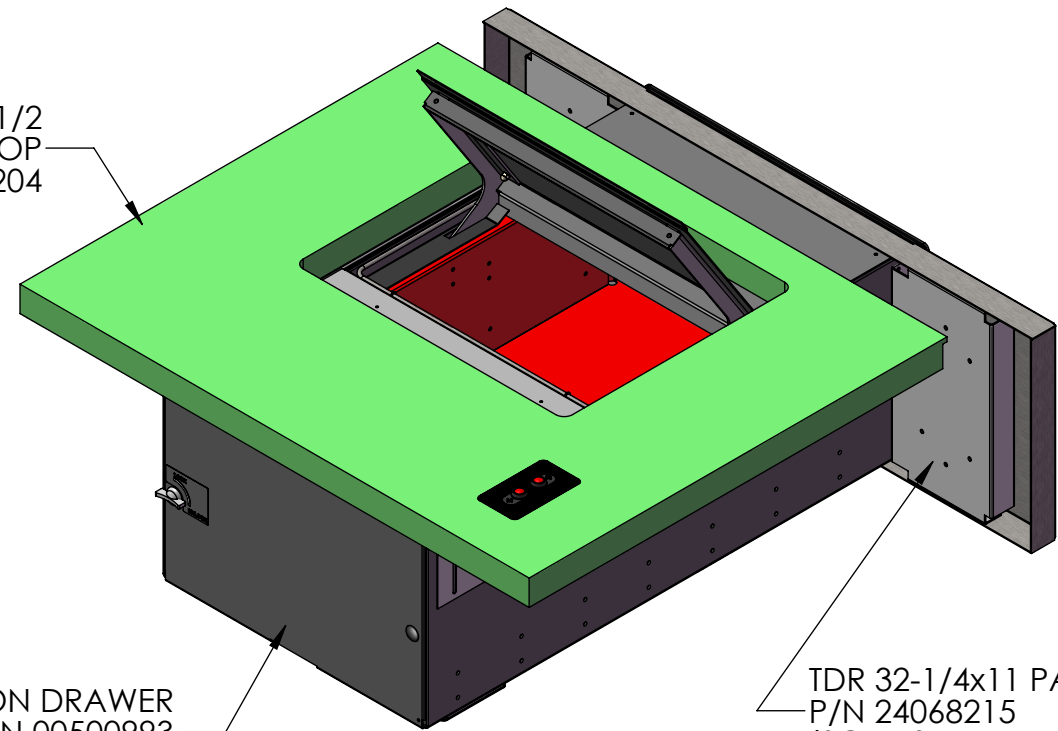
PROPRIETARY
THIS DOCUMENTATION AND INFORMATION CONTAINED ARE THE SOLE PROPERTY OF E.F. BAVIS & ASSOC., INC. IT SHALL BE RETURNED UPON REQUEST AND SHALL NOT BE REPRODUCED IN WHOLE OR IN PART, OR DISCLOSED TO ANYONE ELSE, OR USED, WITHOUT WRITTEN CONSENT OF E.F. BAVIS & ASSOC., INC.



SIGNATURES		DATE	TITLE
DRAWN MJC		12/21/17	TDR LAMINATED COUNTERTOP KIT 32-1/2in X 25in X 1-1/4in
CHECKED			
ENGR.			
DIMENSIONS ARE IN INCHES		TOLERANCE UNLESS OTHERWISE NOTED:	
UNLESS OTHERWISE SPECIFIED		DECIMAL ±	N/A
ECN		FRACTION ±	1/32
18978		ANGULAR ±	N/A
SIZE	DRAWING NO.	SHEET	2
B	24077203	OF	2

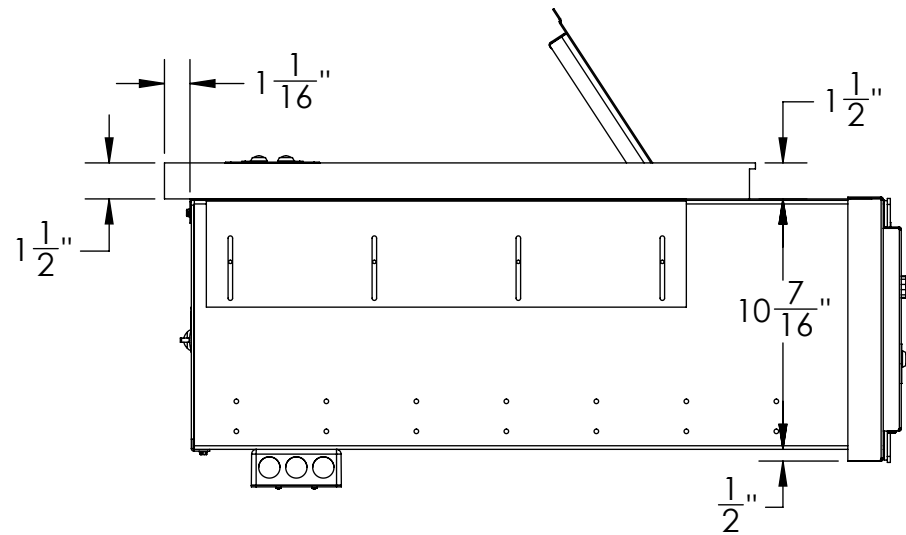
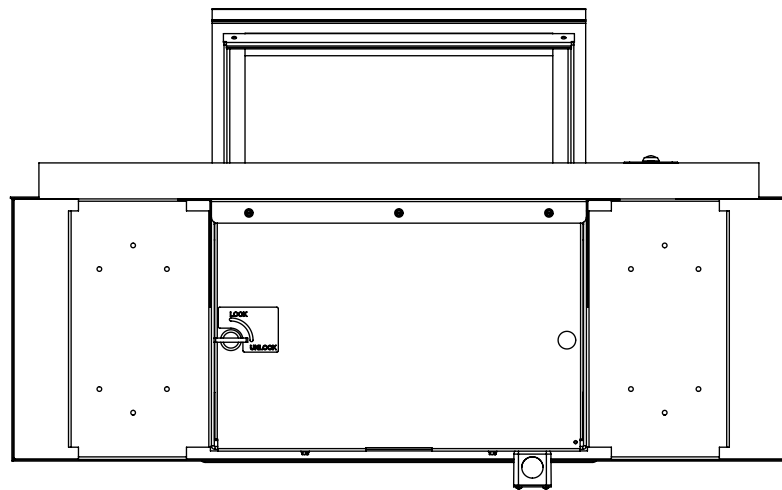


TDR 30x24-5/8x1-1/2
LAMINATED COUNTERTOP
P/N 24077204



POWER TRANSACTION DRAWER
P/N 00500993
(SOLD SEPARATELY)

TDR 32-1/4x11 PANEL ASSEMBLY
P/N 24068215
(SOLD SEPARATELY)



LAMINATE & EDGING: BLACK (CONTACT THE FACTORY FOR OTHER FINISHES)


BACKER ON BOTTOM

DIMENSIONS AND APPEARANCES ARE SUBJECT TO CHANGE WITHOUT NOTICE

00500993 TRANSACTION DRAWER AND 24068215 TDR PANEL ARE NOT INCLUDED AND SOLD SEPARATELY

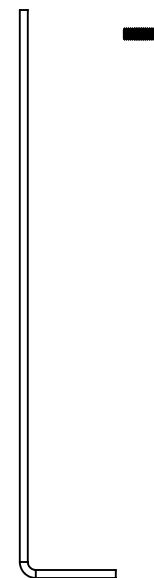
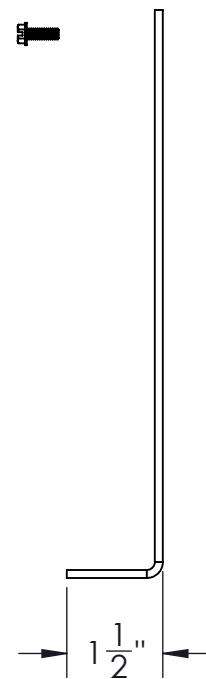
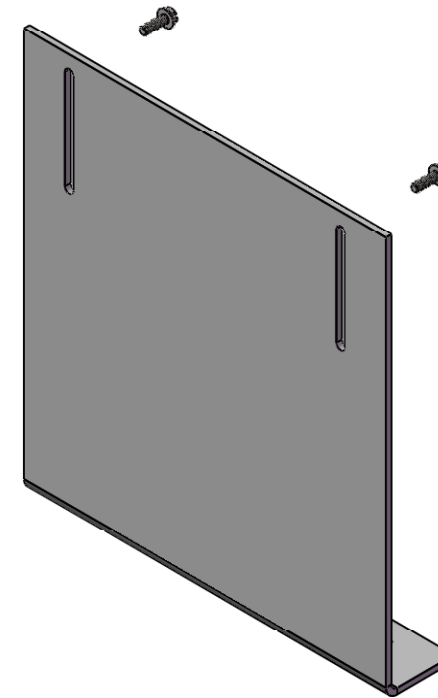
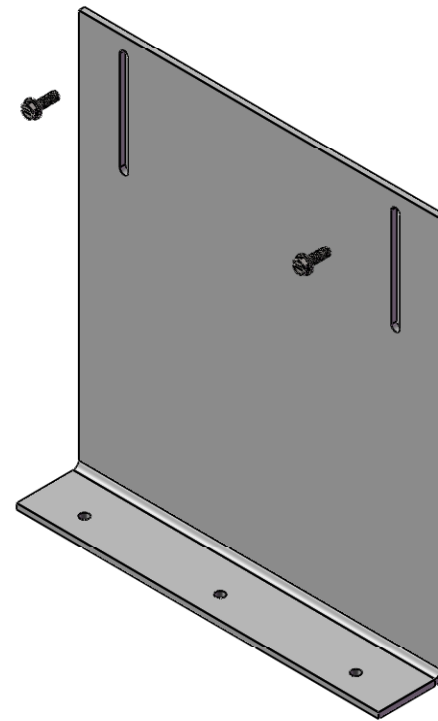
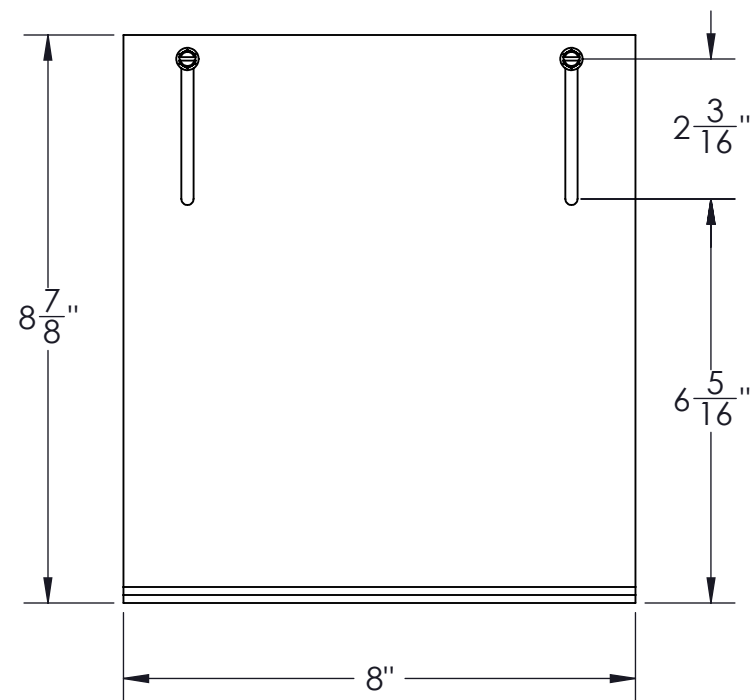
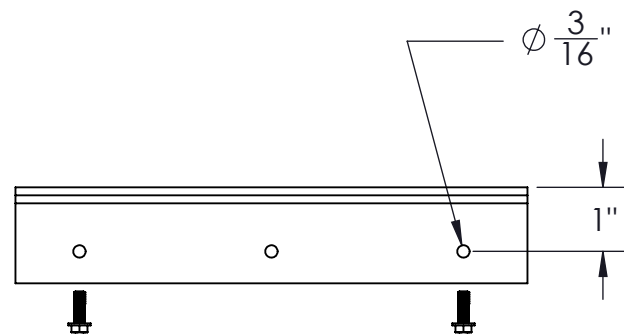
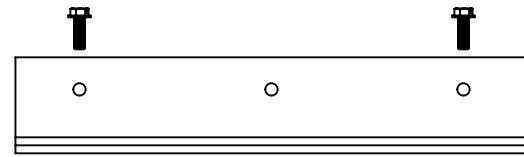
PROPRIETARY

THIS DOCUMENTATION AND INFORMATION CONTAINED ARE THE SOLE PROPERTY OF E.F.BAVIS & ASSOC., INC. IT SHALL BE RETURNED UPON REQUEST AND SHALL NOT BE REPRODUCED IN WHOLE OR IN PART, OR DISCLOSED TO ANYONE ELSE, OR USED, WITHOUT WRITTEN CONSENT OF E.F. BAVIS & ASSOC., INC.



201 GRANDIN RD.
 MAINEVILLE, OH 45039
 T: 513.677.0500
 F: 513.677.0552
 WWW.BAVIS.COM


SIGNATURES	DATE	TITLE
DRAWN: MJC	06/04/20	TDR 30"x24-5/8"x1-1/2" LAMINATED COUNTERTOP KIT
CHECKED:		
ENGR.:		
DIMENSIONS ARE IN INCHES	TOLERANCE UNLESS OTHERWISE NOTED:	
UNLESS OTHERWISE SPECIFIED	DECIMAL ± N/A	
	FRACTION ± 1/32	
ECN: 21381	ANGULAR ± N/A	SIZE: B DRAWING NO.: 24077204 SHEET 2 OF 2



MATERIAL: 1/8" ALUMINUM

PROPRIETARY

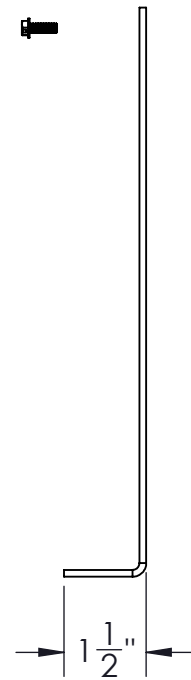
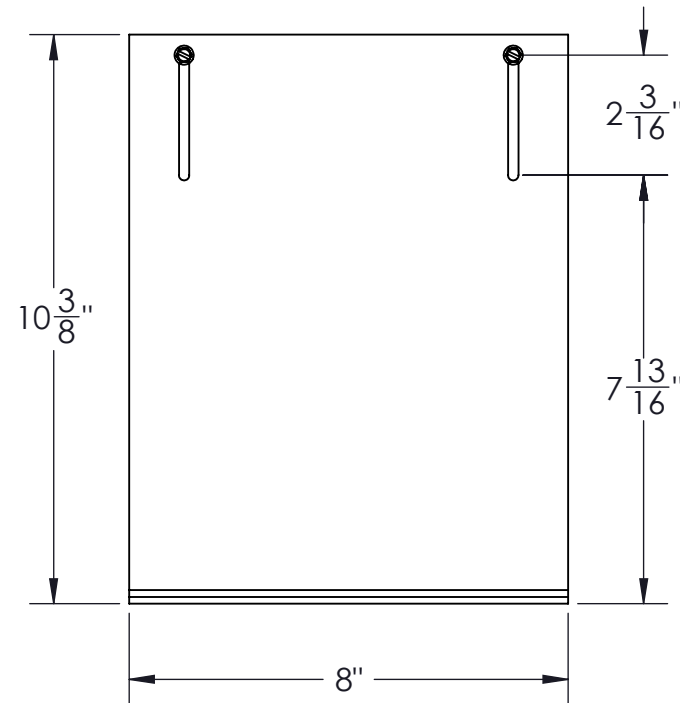
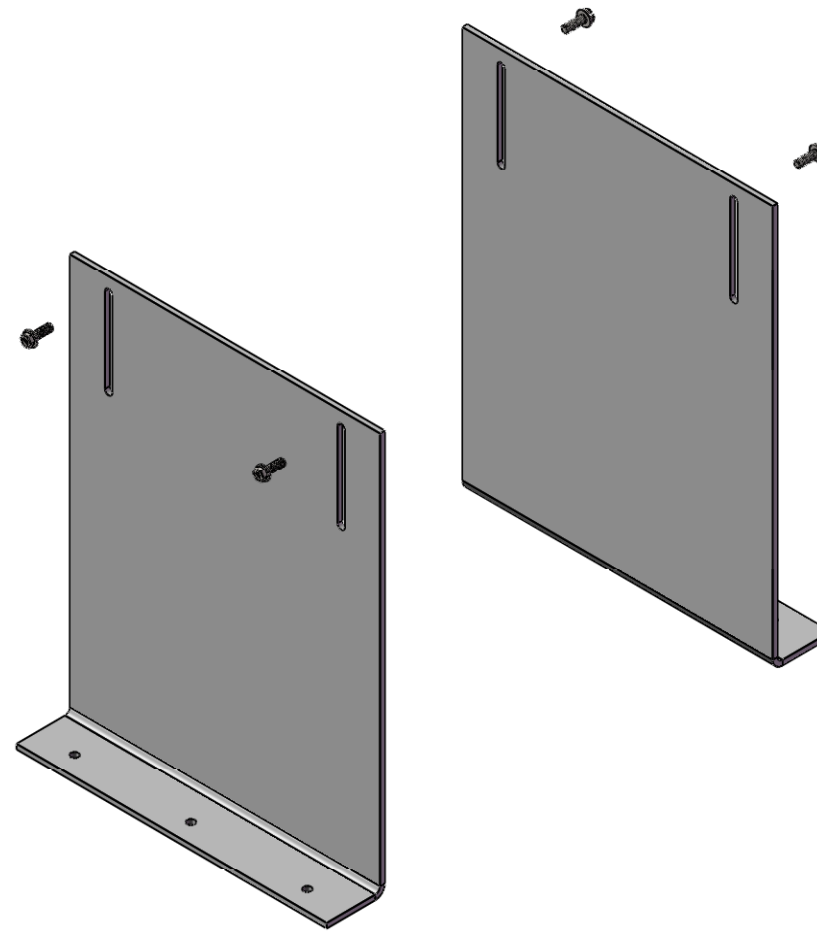
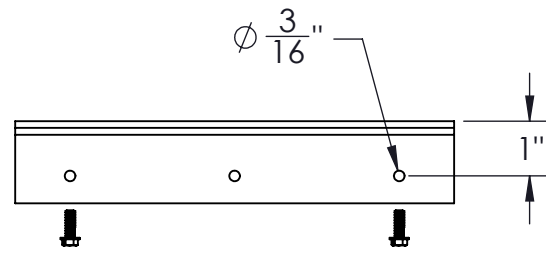
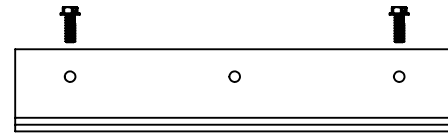
THIS DOCUMENTATION AND INFORMATION CONTAINED ARE THE SOLE PROPERTY OF E.F.BAVIS & ASSOC., INC. IT SHALL BE RETURNED UPON REQUEST AND SHALL NOT BE REPRODUCED IN WHOLE OR IN PART, OR DISCLOSED TO ANYONE ELSE, OR USED, WITHOUT WRITTEN CONSENT OF E.F. BAVIS & ASSOC., INC.



201 GRANDIN RD.
MAINEVILLE, OH 45039
T: 513.677.0500
F: 513.677.0552
WWW.BAVIS.COM

SIGNATURES		DATE	TITLE
DRAWN MJC		04/23/14	SD ADJUSTABLE SUPPORT KIT
CHECKED			
ENGR.			
DIMENSIONS ARE IN INCHES	TOLERANCE UNLESS OTHERWISE NOTED:		
UNLESS OTHERWISE SPECIFIED	DECIMAL ± N/A	FRACTION ± 1/32	
ECN 11106	ANGULAR ± N/A	SIZE B	DRAWING NO. 24078191


SHEET 1 OF 1
Pg. 92



MATERIAL: 1/8" ALUMINUM

PROPRIETARY

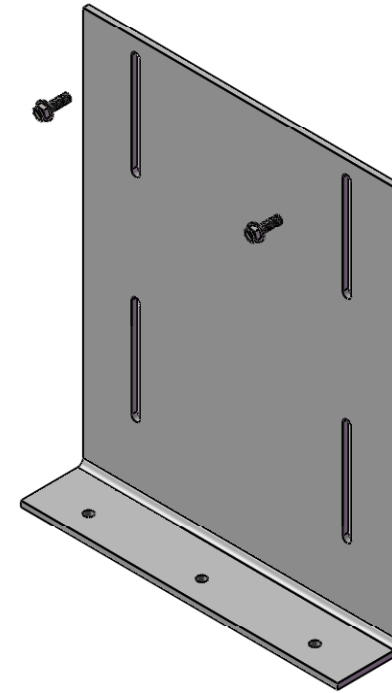
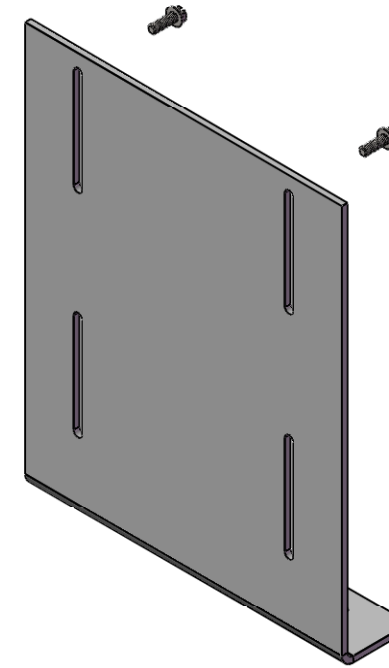
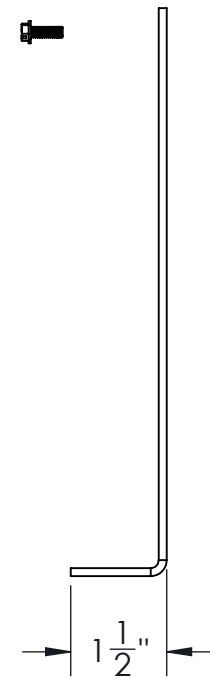
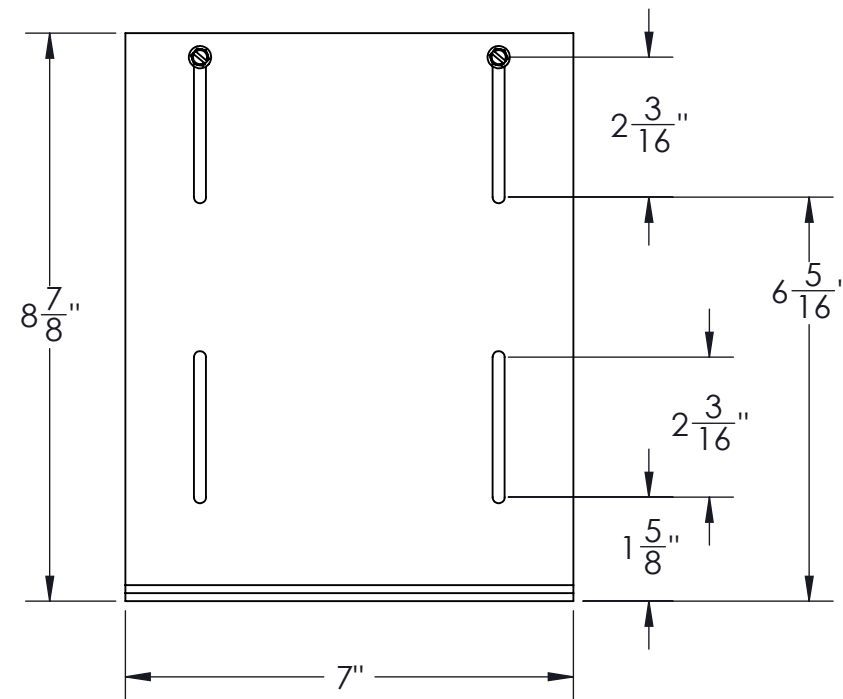
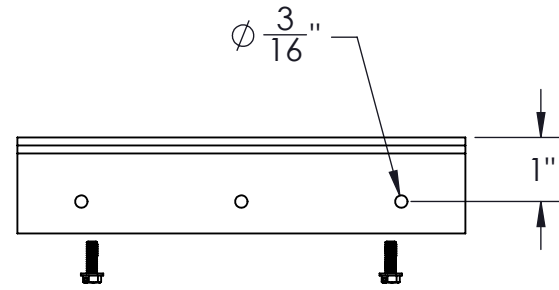
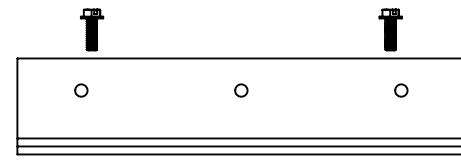
THIS DOCUMENTATION AND INFORMATION CONTAINED ARE THE SOLE PROPERTY OF E.F. BAVIS & ASSOC., INC. IT SHALL BE RETURNED UPON REQUEST AND SHALL NOT BE REPRODUCED IN WHOLE OR IN PART, OR DISCLOSED TO ANYONE ELSE, OR USED, WITHOUT WRITTEN CONSENT OF E.F. BAVIS & ASSOC., INC.



201 GRANDIN RD.
MAINEVILLE, OH 45039
T: 513.677.0500
F: 513.677.0552
WWW.BAVIS.COM

SIGNATURES		DATE	TITLE
DRAWN MJC		04/23/14	TD ADJUSTABLE SUPPORT KIT
CHECKED			
ENGR.			
DIMENSIONS ARE IN INCHES	TOLERANCE UNLESS OTHERWISE NOTED:		
UNLESS OTHERWISE SPECIFIED	DECIMAL ±	N/A	
	FRACTION ±	1/32	
ECN 11107	ANGULAR ±	N/A	


SIZE B	DRAWING NO. 24078192	SHEET 1 OF 1
--------	----------------------	--------------



MATERIAL: 1/8" ALUMINUM
CUT TO SIZE IF NEEDED

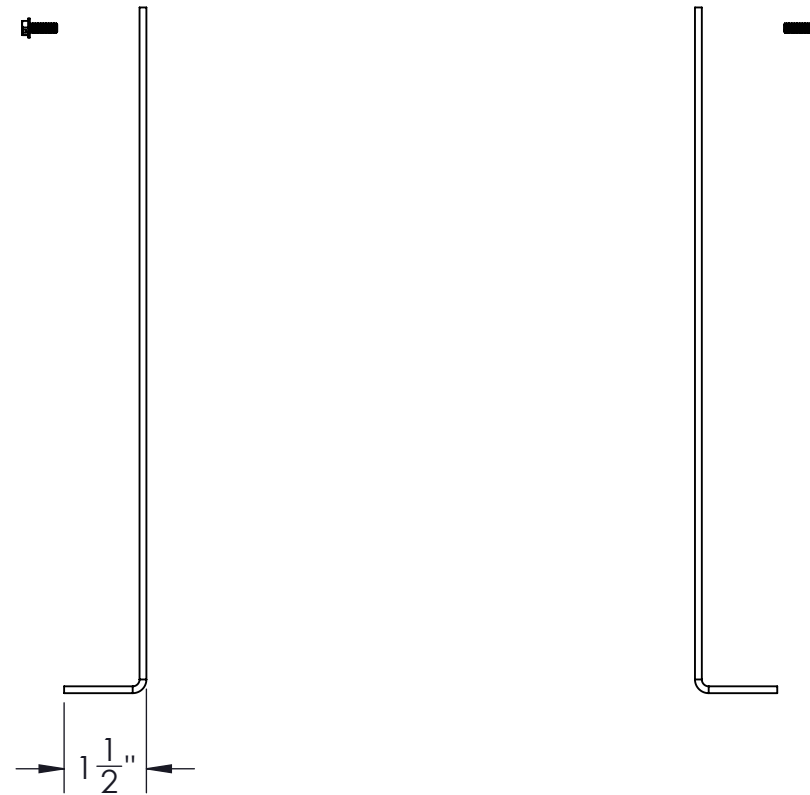
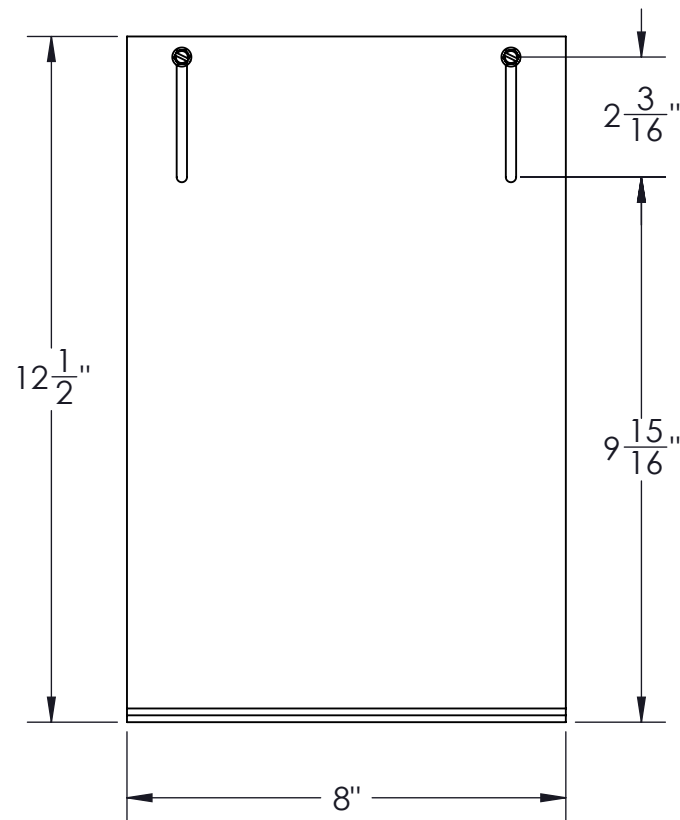
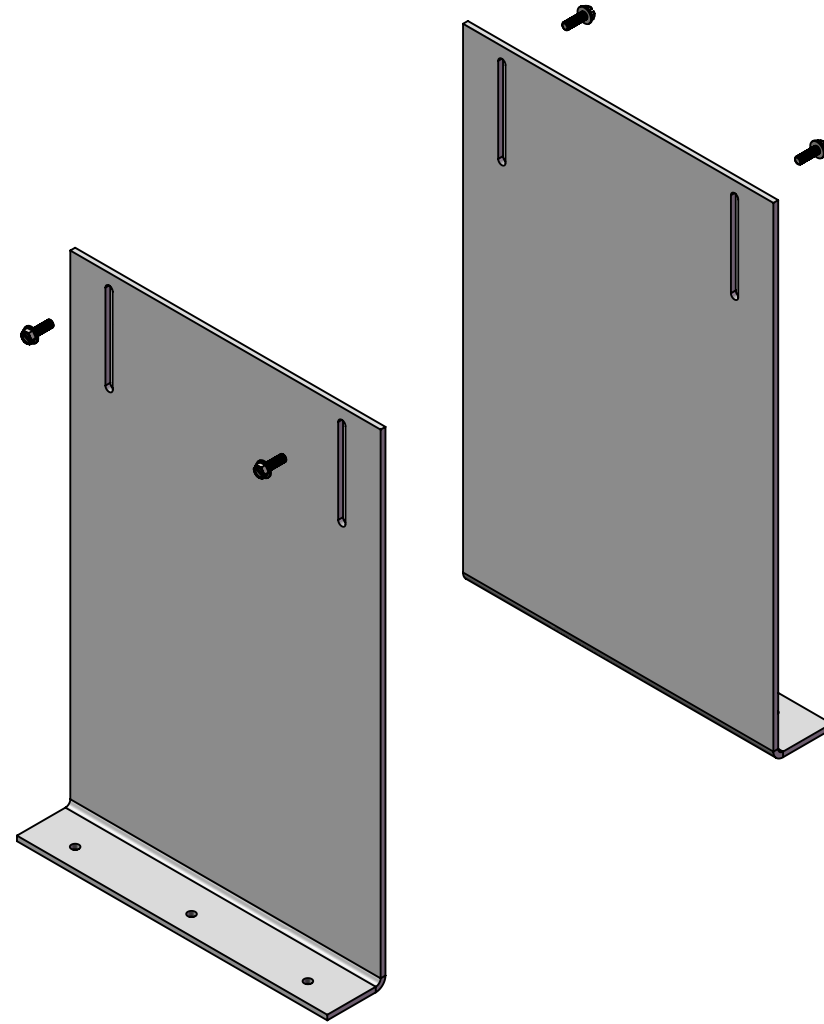
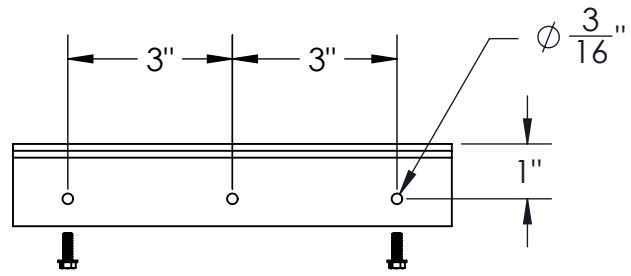
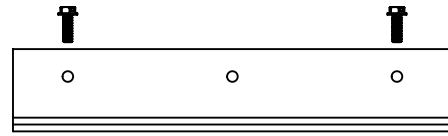
PROPRIETARY

THIS DOCUMENTATION AND INFORMATION CONTAINED ARE THE SOLE PROPERTY OF E.F. BAVIS & ASSOC., INC. IT SHALL BE RETURNED UPON REQUEST AND SHALL NOT BE REPRODUCED IN WHOLE OR IN PART, OR DISCLOSED TO ANYONE ELSE, OR USED, WITHOUT WRITTEN CONSENT OF E.F. BAVIS & ASSOC., INC.



201 GRANDIN RD.
MAINEVILLE, OH 45039
T: 513.677.0500
F: 513.677.0552
WWW.BAVIS.COM

SIGNATURES		DATE	TITLE
DRAWN MJC		04/23/14	XSD ADJUSTABLE SUPPORT KIT
CHECKED			
ENGR.			
DIMENSIONS ARE IN INCHES	TOLERANCE UNLESS OTHERWISE NOTED:		
UNLESS OTHERWISE SPECIFIED	DECIMAL ±	N/A	
ECN	FRACTION ±	1/32	
13805	ANGULAR ±	N/A	
SIZE B	DRAWING NO. 24078193	SHEET 1 OF 1	Pg. 94

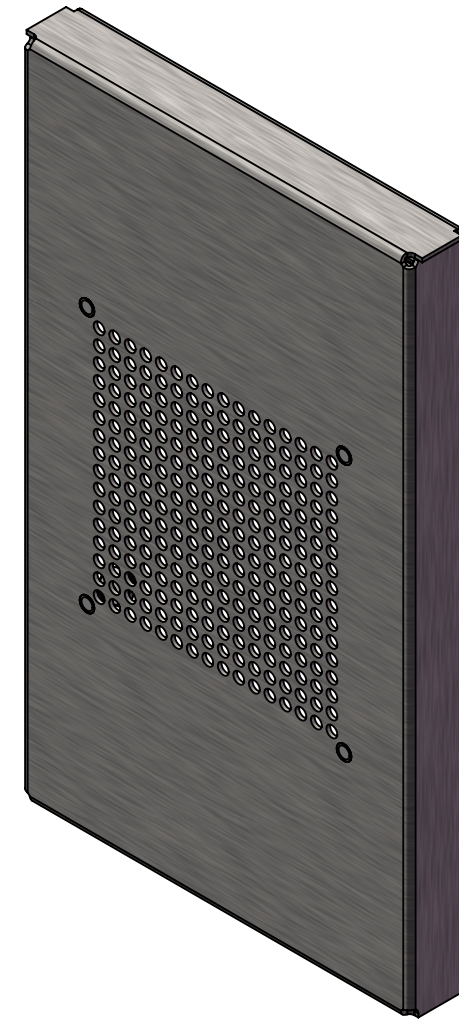
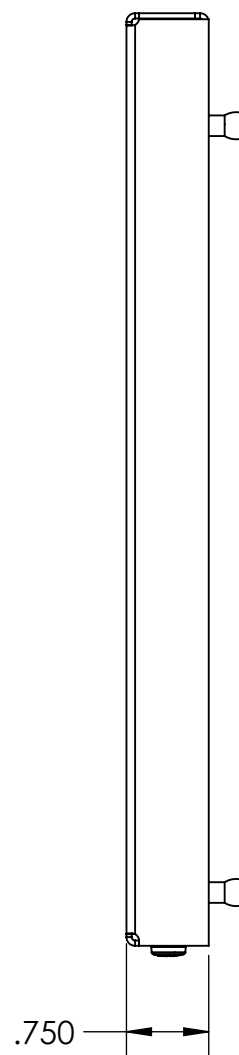
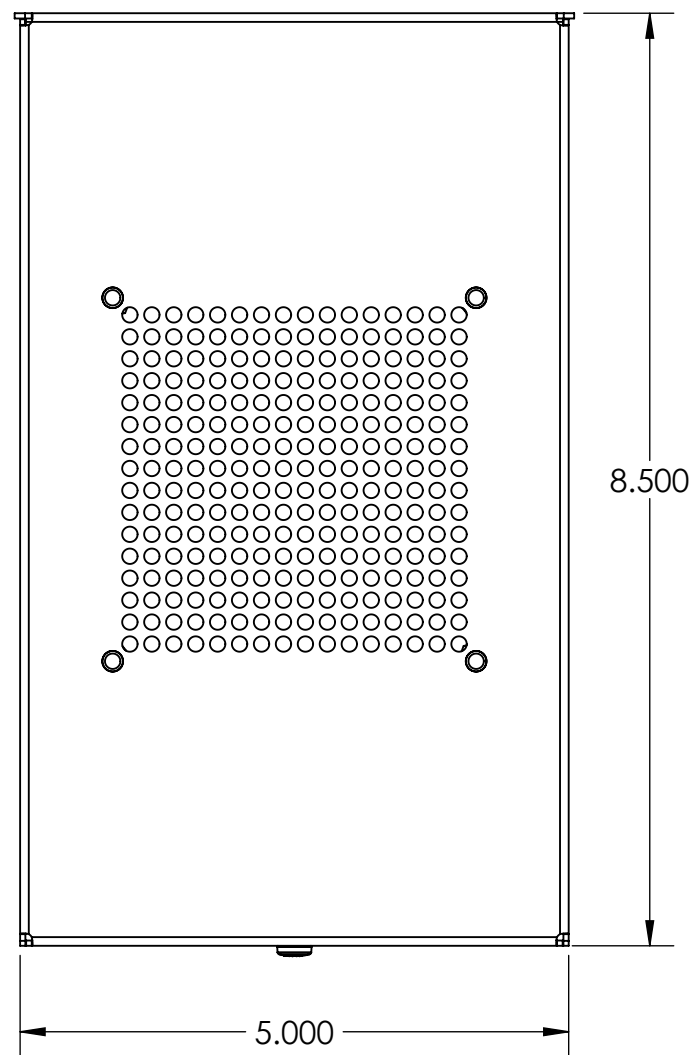
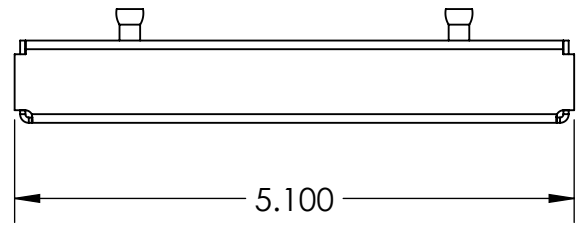


MATERIAL: 1/8" ALUMINUM, MILL FINISH

PROPRIETARY
 THIS DOCUMENTATION AND INFORMATION CONTAINED ARE THE SOLE PROPERTY OF E.F. BAVIS & ASSOC., INC. IT SHALL BE RETURNED UPON REQUEST AND SHALL NOT BE REPRODUCED IN WHOLE OR IN PART, OR DISCLOSED TO ANYONE ELSE, OR USED, WITHOUT WRITTEN CONSENT OF E.F. BAVIS & ASSOC., INC.



SIGNATURES		DATE	TITLE
DRAWN MJC		06/30/20	TD TALL (12-1/2") ADJUSTABLE SUPPORT KIT
CHECKED			
ENGR.			
DIMENSIONS ARE IN INCHES UNLESS OTHERWISE SPECIFIED	TOLERANCE UNLESS OTHERWISE NOTED:		
	DECIMAL ± N/A		
	FRACTION ± 1/32		
ECN 21514	ANGULAR ± N/A	SIZE B	DRAWING NO. 24078194
		SHEET 1	OF 1



MATERIAL: 18 GA STAINLESS STEEL #4 FINSH
(4x4 SPEAKER IS NOT INCLUDED)

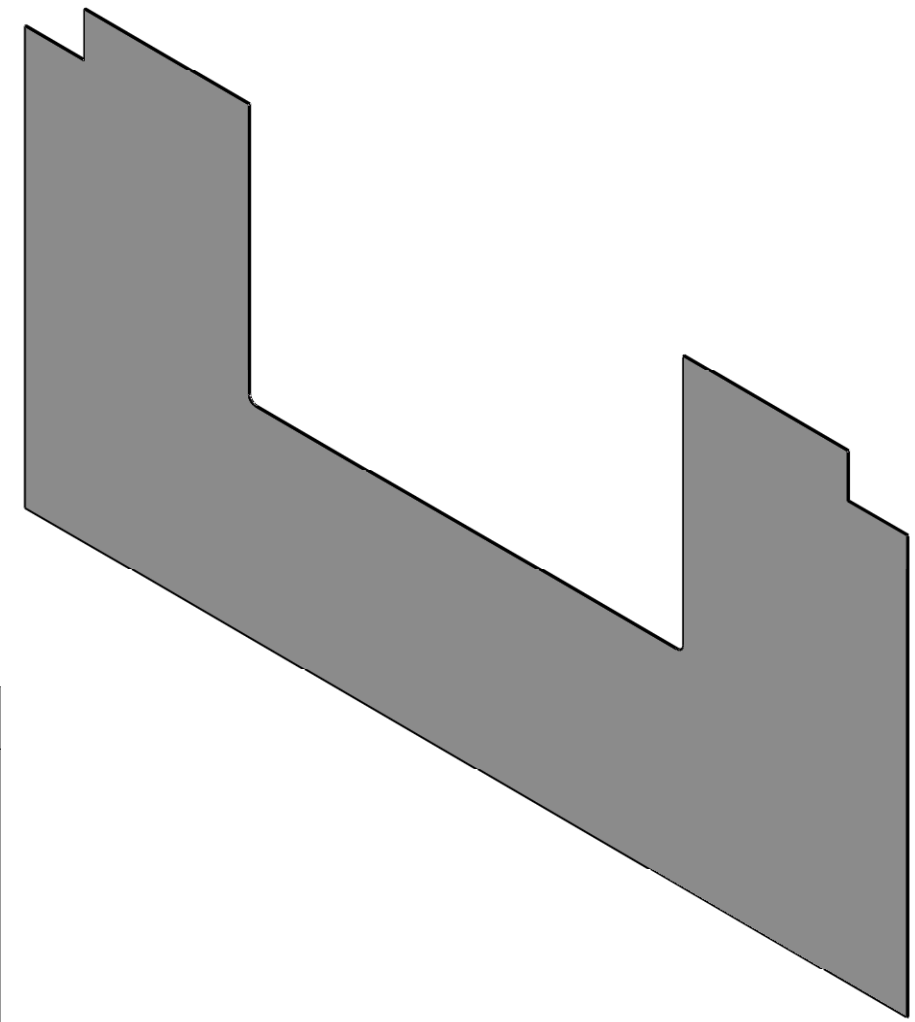
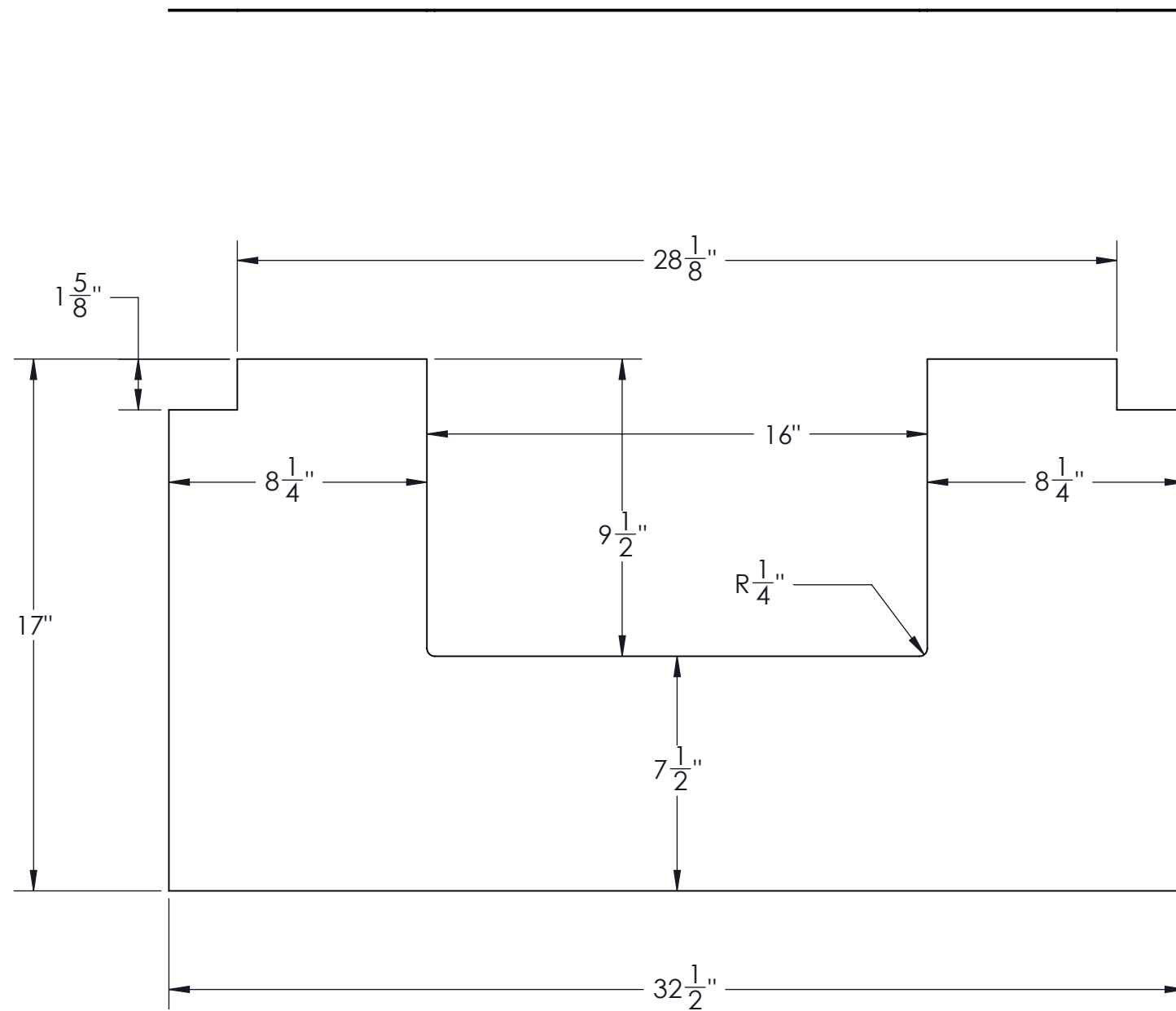
PROPRIETARY

THIS DOCUMENTATION AND INFORMATION CONTAINED ARE THE SOLE PROPERTY OF E.F. BAVIS & ASSOC., INC. IT SHALL BE RETURNED UPON REQUEST AND SHALL NOT BE REPRODUCED IN WHOLE OR IN PART, OR DISCLOSED TO ANYONE ELSE, OR USED, WITHOUT WRITTEN CONSENT OF E.F. BAVIS & ASSOC., INC.



201 GRANDIN RD.
MAINEVILLE, OH 45039
T: 513.677.0500
F: 513.677.0552
WWW.BAVIS.COM


<small>SIGNATURES</small>	<small>DATE</small>	<small>TITLE</small>
<small>DRAWN</small> MJC	06/15/20	TDR 4x4 SPEAKER ASSY (SPEAKER NOT INCLUDED)
<small>CHECKED</small>		
<small>ENGR.</small>		
<small>DIMENSIONS ARE IN INCHES</small>	<small>TOLERANCE UNLESS OTHERWISE NOTED:</small>	
<small>UNLESS OTHERWISE SPECIFIED</small>	DECIMAL ± N/A	
	FRACTION ± 1/32	
<small>ECN</small> XXXX	<small>ANGULAR ± N/A</small>	<small>SIZE</small> B
		<small>DRAWING NO.</small> 24085997
		<small>SHEET</small> 1 OF 1



MATERIAL: 0.050" ALUMINUM
FINISH: NATURAL ALUMINUM

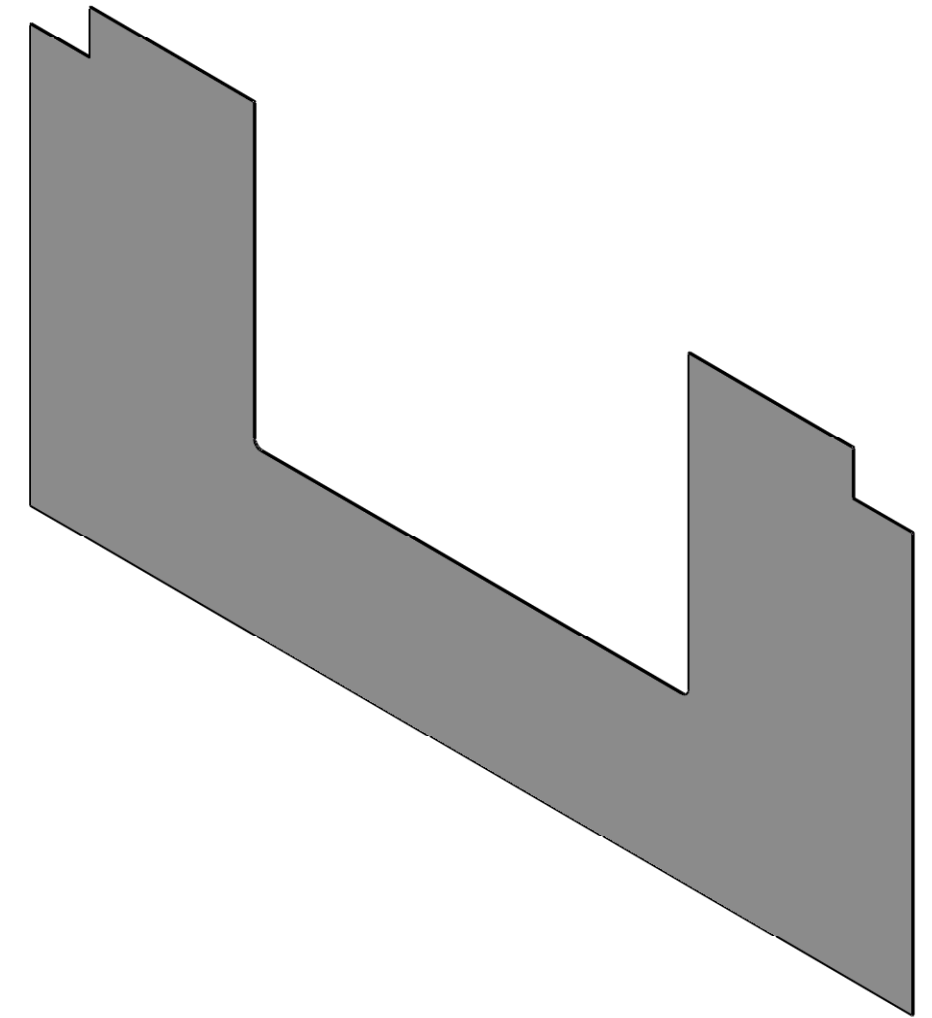
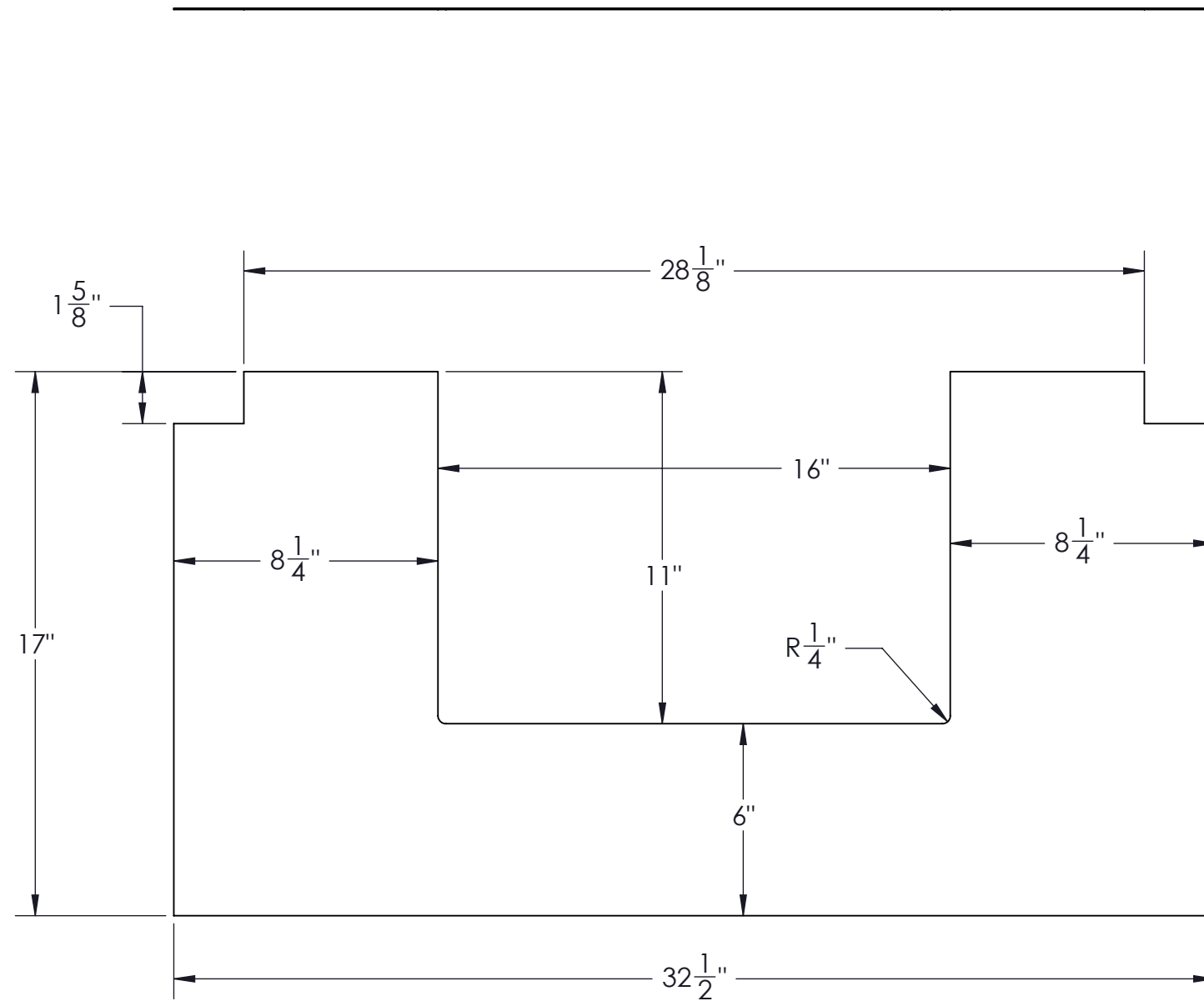
PROPRIETARY

THIS DOCUMENTATION AND INFORMATION CONTAINED ARE THE SOLE PROPERTY OF E.F. BAVIS & ASSOC., INC. IT SHALL BE RETURNED UPON REQUEST AND SHALL NOT BE REPRODUCED IN WHOLE OR IN PART, OR DISCLOSED TO ANYONE ELSE, OR USED, WITHOUT WRITTEN CONSENT OF E.F. BAVIS & ASSOC., INC.



201 GRANDIN RD.
MAINEVILLE, OH 45039
T: 513.677.0500
F: 513.677.0552
WWW.BAVIS.COM

<small>SIGNATURES</small>	<small>DATE</small>	TDR WALL OPENING COVER PLATE FOR SD
<small>DRAWN</small>	MJC 02/11/14	
<small>CHECKED</small>	DAM 02/11/14	
<small>ENGR.</small>		
<small>DIMENSIONS ARE IN INCHES</small>	<small>TOLERANCE UNLESS OTHERWISE NOTED:</small>	
<small>UNLESS OTHERWISE SPECIFIED</small>	DECIMAL ± N/A	
	FRACTION ± 1/32	
<small>ECN</small>	ANGULAR ± N/A	<small>SIZE</small> B
15146		<small>DRAWING NO.</small> 24088011
		<small>SHEET</small> 2
		<small>OF</small> 2



MATERIAL: 0.050" ALUMINUM

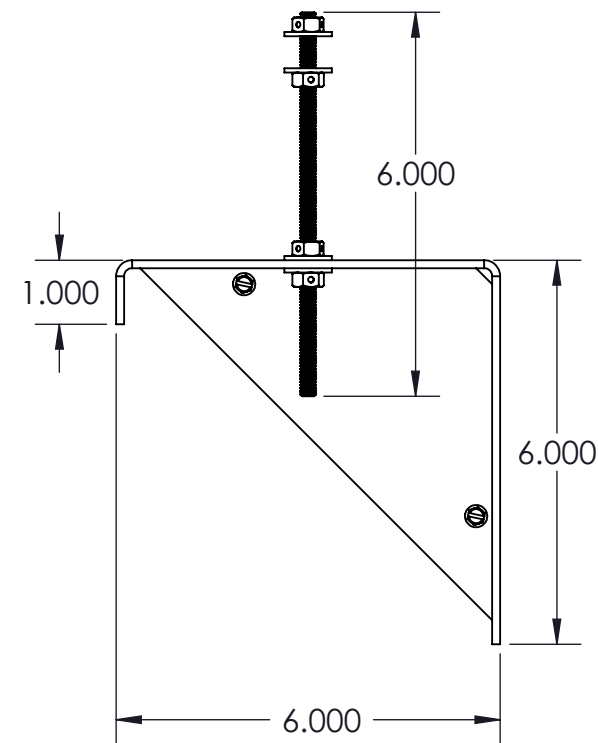
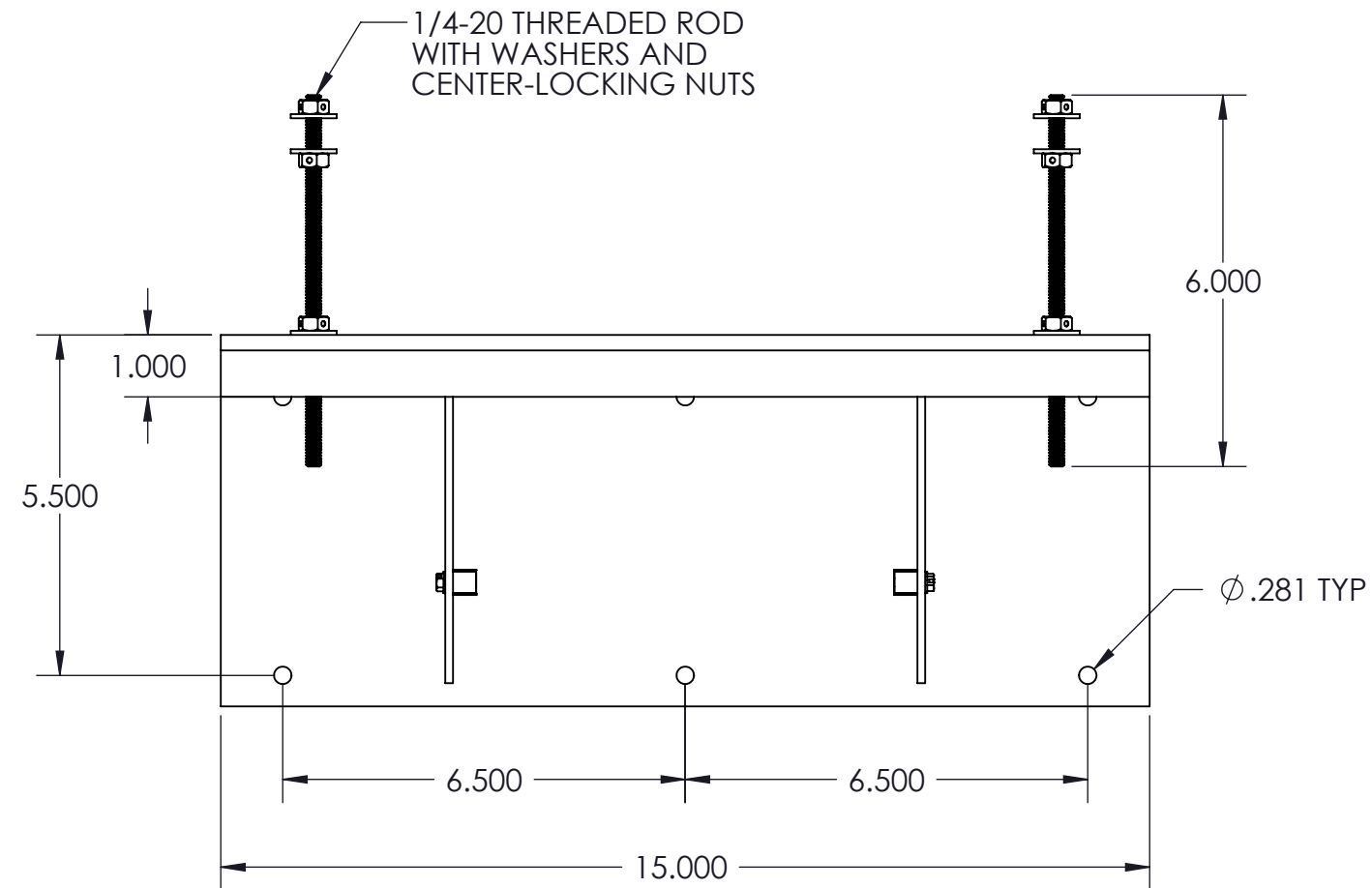
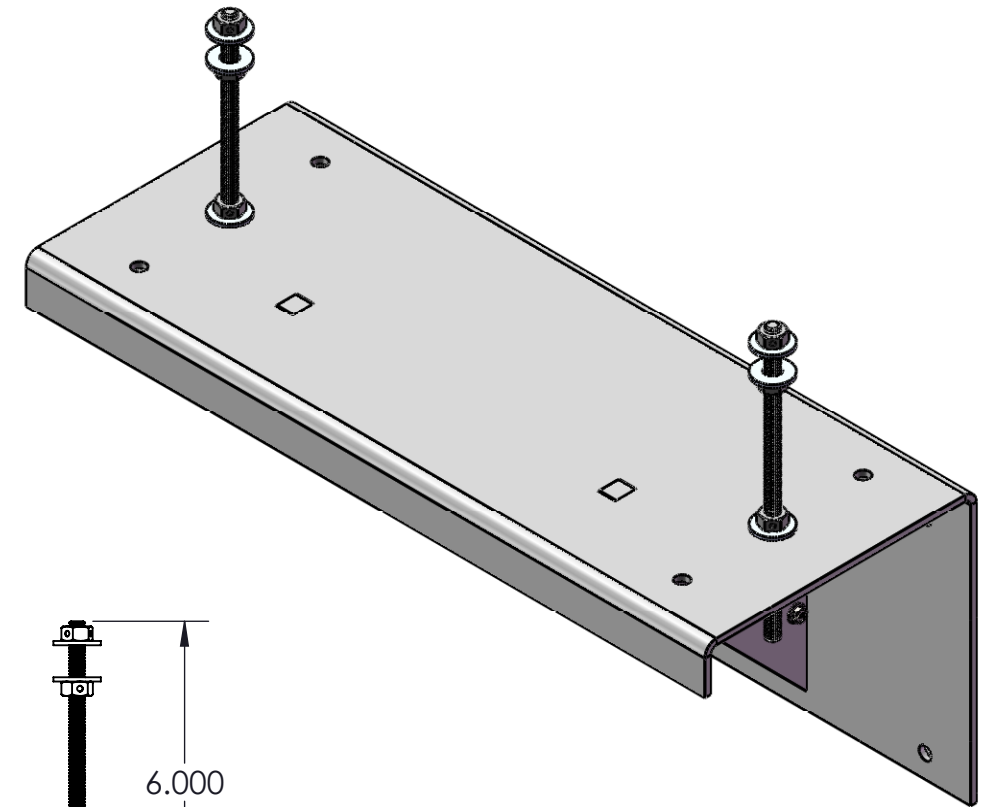
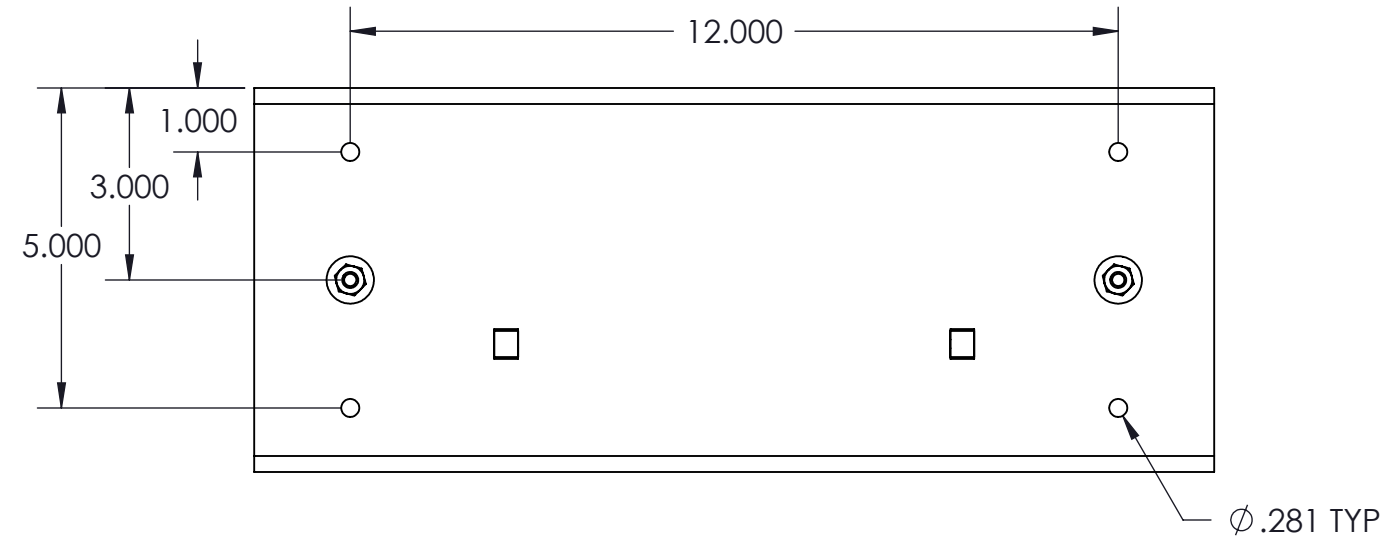
FINISH: NATURAL ALUMINUM

PROPRIETARY
 THIS DOCUMENTATION AND INFORMATION CONTAINED ARE THE SOLE PROPERTY OF E.F. BAVIS & ASSOC., INC. IT SHALL BE RETURNED UPON REQUEST AND SHALL NOT BE REPRODUCED IN WHOLE OR IN PART, OR DISCLOSED TO ANYONE ELSE, OR USED, WITHOUT WRITTEN CONSENT OF E.F. BAVIS & ASSOC., INC.




201 GRANDIN RD.
 MAINEVILLE, OH 45039
 T: 513.677.0500
 F: 513.677.0552
 WWW.BAVIS.COM

SIGNATURES		DATE	TITLE
DRAWN	MJC	02/11/14	TDR WALL OPENING COVER PLATE FOR TD AND MD
CHECKED	DAM	02/11/14	
ENGR.			
DIMENSIONS ARE IN INCHES	TOLERANCE UNLESS OTHERWISE NOTED:		
UNLESS OTHERWISE SPECIFIED	DECIMAL ±	N/A	
	FRACTION ±	1/32	
ECN	15147	ANGULAR ±	N/A
SIZE	B	DRAWING NO.	24088021
		SHEET	2
		OF	2



PROPRIETARY

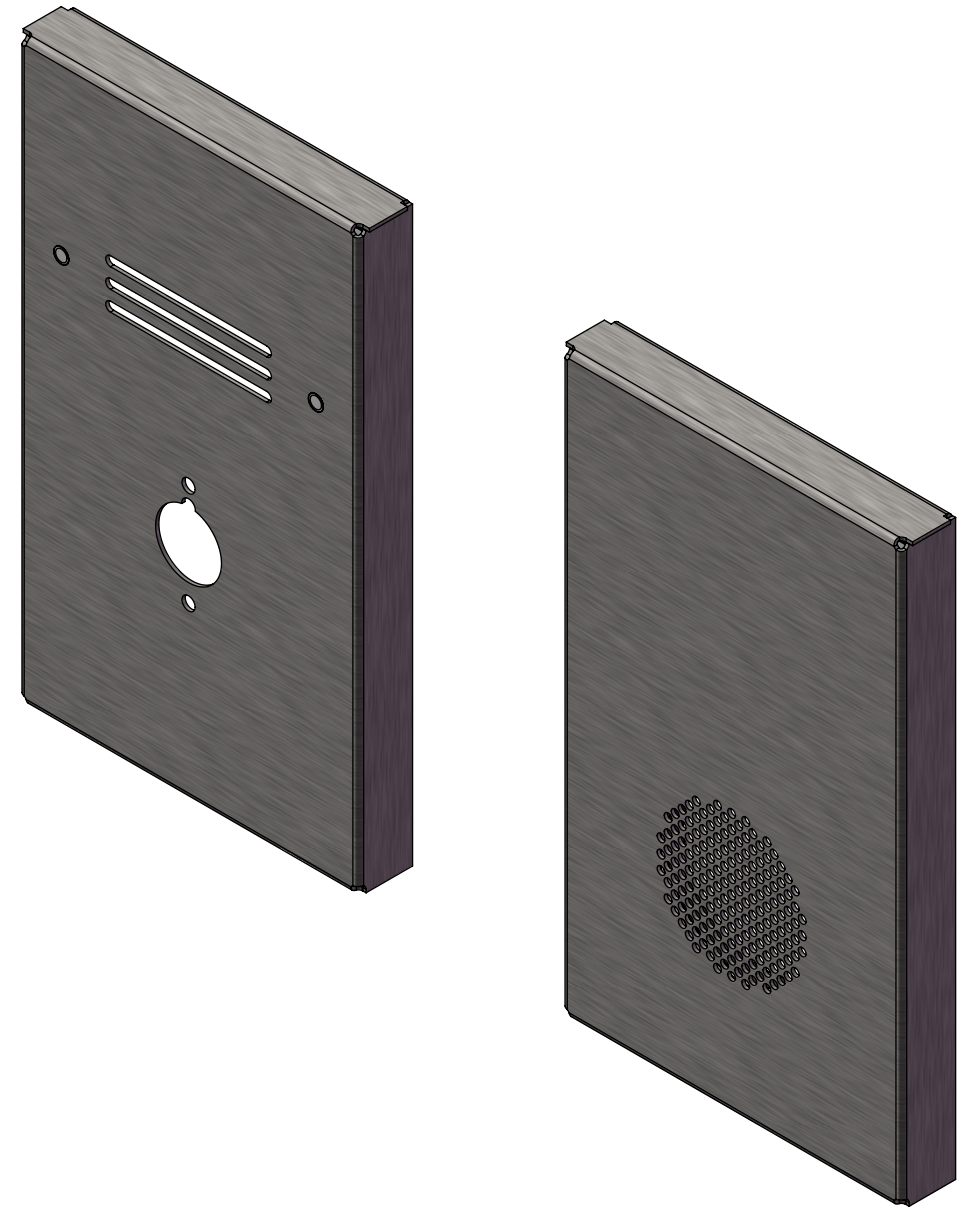
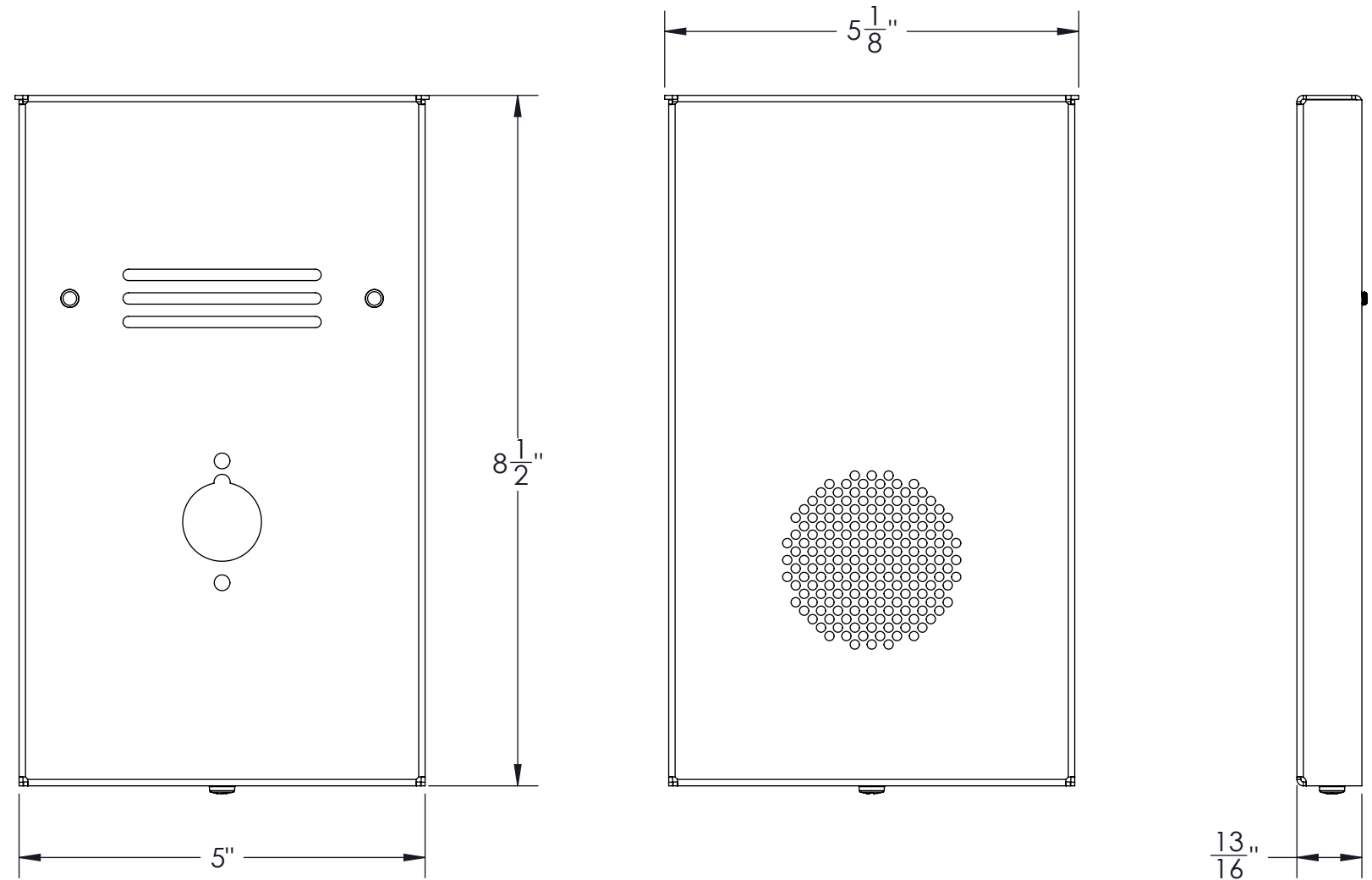
THIS DOCUMENTATION AND INFORMATION CONTAINED ARE THE SOLE PROPERTY OF E.F. BAVIS & ASSOC., INC. IT SHALL BE RETURNED UPON REQUEST AND SHALL NOT BE REPRODUCED IN WHOLE OR IN PART, OR DISCLOSED TO ANYONE ELSE, OR USED, WITHOUT WRITTEN CONSENT OF E.F. BAVIS & ASSOC., INC.



201 GRANDIN RD.
MAINEVILLE, OH 45039
T: 513.677.0500
F: 513.677.0552
WWW.BAVIS.COM

SIGNATURES		DATE	TITLE
DRAWN	MJC	02/12/14	DRAWER SUPPORT WALL MOUNT
CHECKED	DAM	02/12/14	
ENGR.			
DIMENSIONS ARE IN INCHES		TOLERANCE UNLESS OTHERWISE NOTED:	
UNLESS OTHERWISE SPECIFIED		DECIMAL ± 0.010	
ECN		FRACTION ± N/A	
15148		ANGULAR ± N/A	

SIZE	DRAWING NO.	SHEET	Pg.
B	24089991	2	99
		OF	
		2	



MATERIAL: 18 GA STAINLESS STEEL WITH #4 FINISH

ORDER THIS PANEL SET, AS A SEPARATE LINE ITEM, WHEN YOU ORDER THE APPROPRIATE RETROFIT PANEL AND WILL BE REUSING THE DIEBOLD AUDIO SYSTEM AND COMPONENTS.

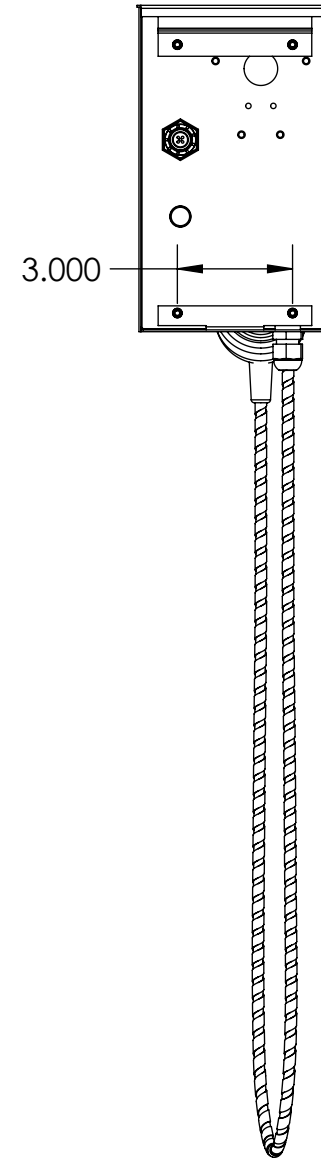
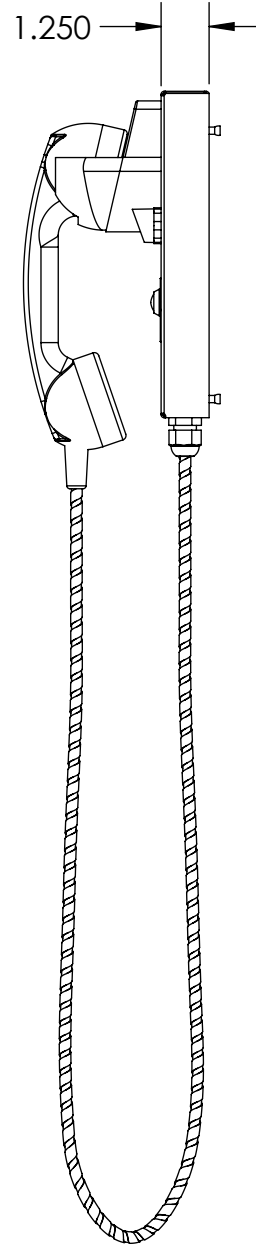
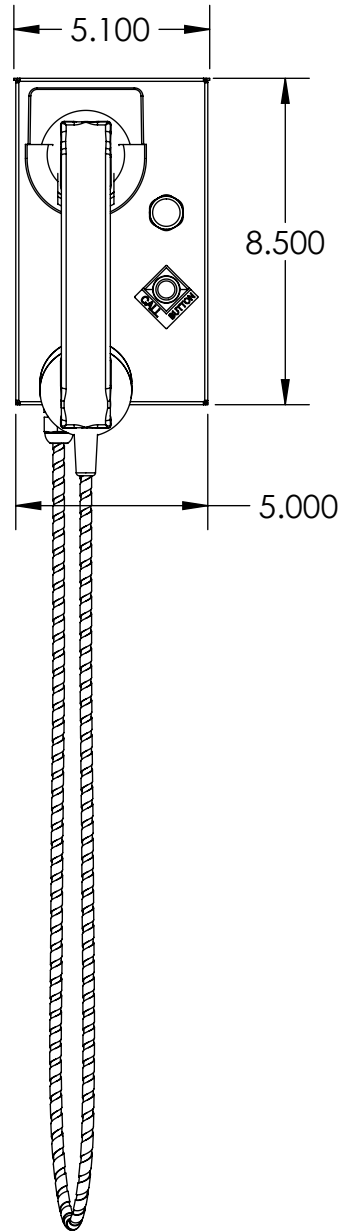
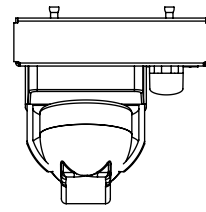
TO USE THIS PANEL SET, YOU WILL NEED TO TRANSFER THE MICROPHONE, SPEAKER/MIC BOARD, CALL BUTTON AND AUDIO HARNESS FROM THE OLD DRAWER. (THE CALL BUTTON MUST BE THE LARGE DIAMETER VERSION.)

ALL DIMENSIONS AND APPEARANCES ARE SUBJECT TO CHANGE WITHOUT NOTICE

PROPRIETARY
 THIS DOCUMENTATION AND INFORMATION CONTAINED ARE THE SOLE PROPERTY OF E.F.BAVIS & ASSOC., INC. IT SHALL BE RETURNED UPON REQUEST AND SHALL NOT BE REPRODUCED IN WHOLE OR IN PART, OR DISCLOSED TO ANYONE ELSE, OR USED, WITHOUT WRITTEN CONSENT OF E.F. BAVIS & ASSOC., INC.



SIGNATURES		DATE	TITLE
DRAWN MJC		05/17/17	CHANGE TDR TO DIEBOLD AUDIO FACTORY INSTALLED
CHECKED			
ENGR.			
DIMENSIONS ARE IN INCHES	TOLERANCE UNLESS OTHERWISE NOTED:		
UNLESS OTHERWISE SPECIFIED	DECIMAL ±	N/A	
	FRACTION ±	1/32	
ECN	ANGULAR ±	N/A	
17284			
SIZE B	DRAWING NO.	24101991	SHEET 1 OF 1

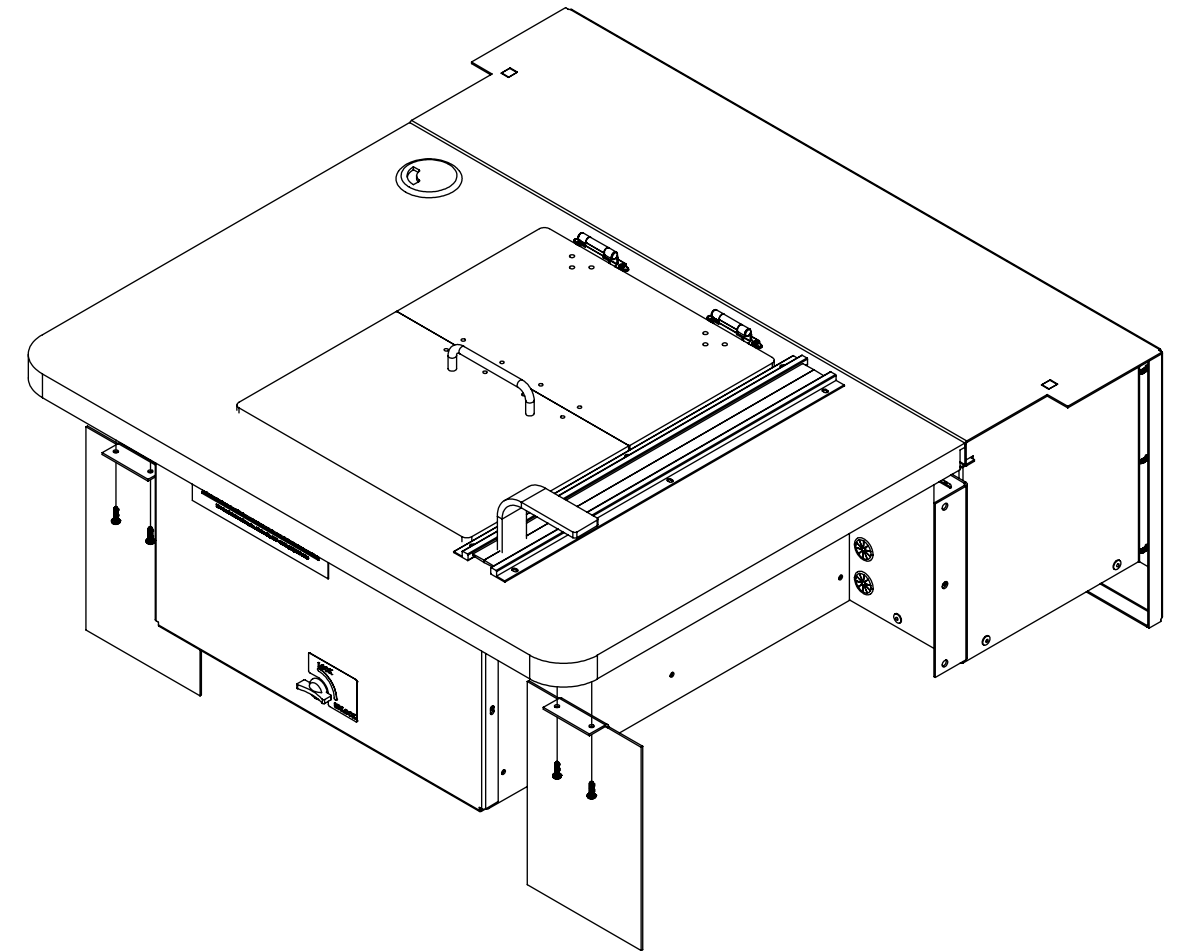
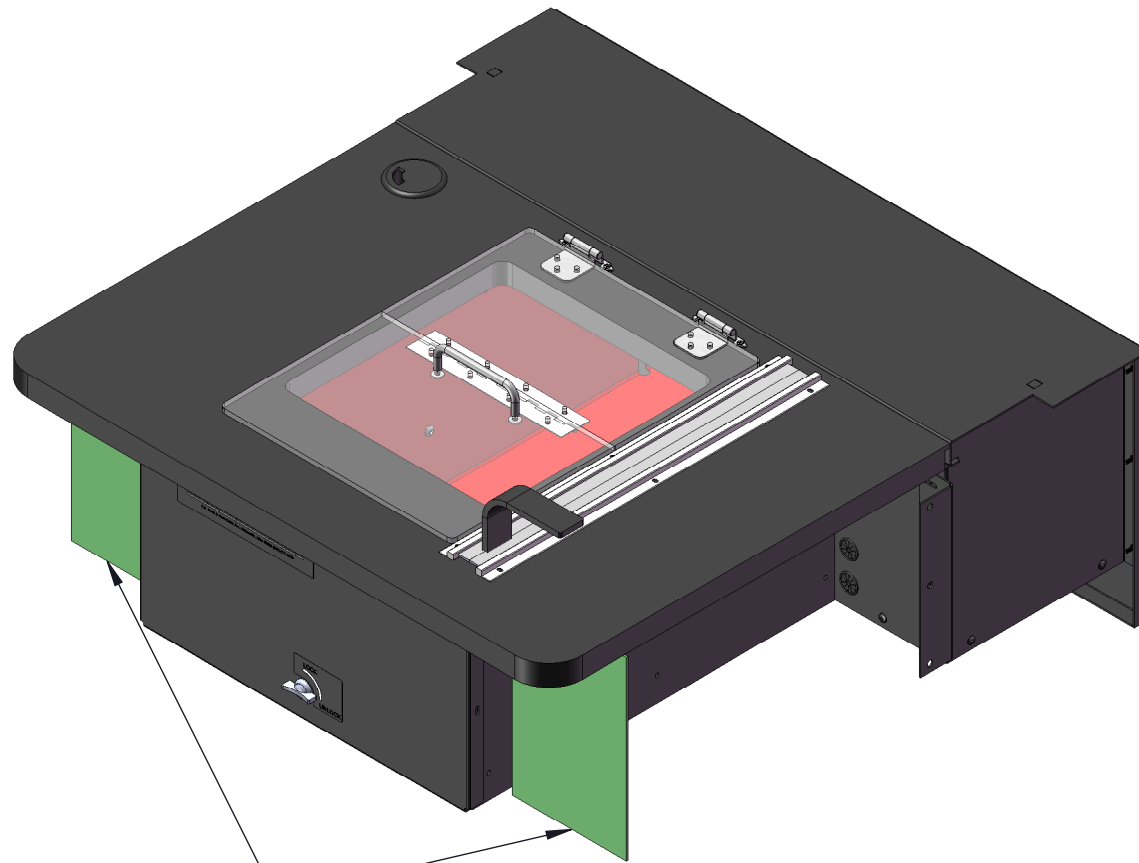


HOUSING MATERIAL: 18ga STAINLESS STEEL WITH #4 FINISH
 SWITCHING HANDSET WITH VOLUME ATTENUATORS

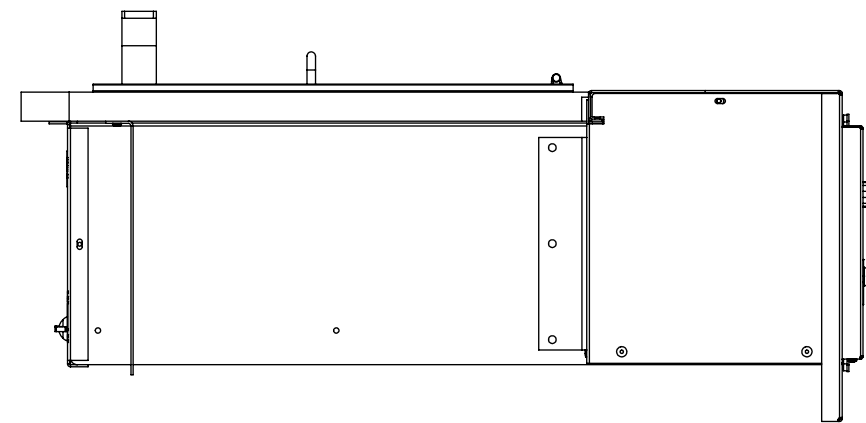
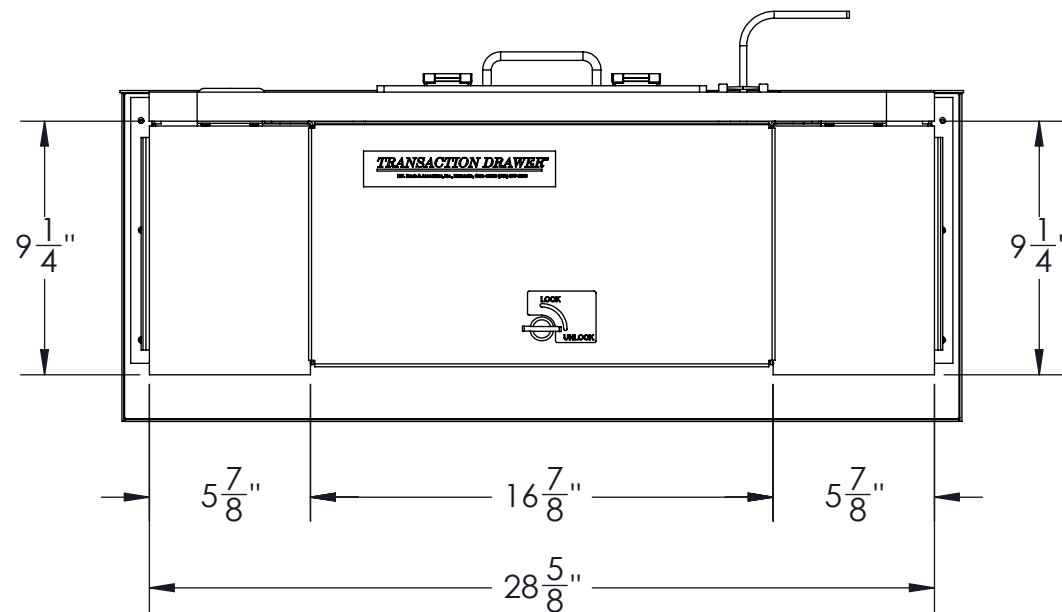
PROPRIETARY
 THIS DOCUMENTATION AND INFORMATION CONTAINED ARE THE SOLE PROPERTY OF E.F.BAVIS & ASSOC., INC. IT SHALL BE RETURNED UPON REQUEST AND SHALL NOT BE REPRODUCED IN WHOLE OR IN PART, OR DISCLOSED TO ANYONE ELSE, OR USED, WITHOUT WRITTEN CONSENT OF E.F. BAVIS & ASSOC., INC.

201 GRANDIN RD.
 MAINEVILLE, OH 45039
 T: 513.677.0500
 F: 513.677.0552
 WWW.BAVIS.COM

SIGNATURES		DATE	TITLE
DRAWN MJC		10/07/20	TDR CHANGE TO HANDSET FACTORY INSTALLED
CHECKED			
ENGR.			
DIMENSIONS ARE IN INCHES	TOLERANCE UNLESS OTHERWISE NOTED:		
UNLESS OTHERWISE SPECIFIED	DECIMAL ± 0.015		
ECN	FRACTION ± N/A		SIZE B
17314	ANGULAR ± N/A		DRAWING NO. 24101992
			SHEET 1 OF 1




BD3 TDR UNIVERSAL REAR FILLER
PN 24103991



MATERIAL: 0.050" ALUMINUM
FINISH: BLACK TEXTURED POWDER COAT

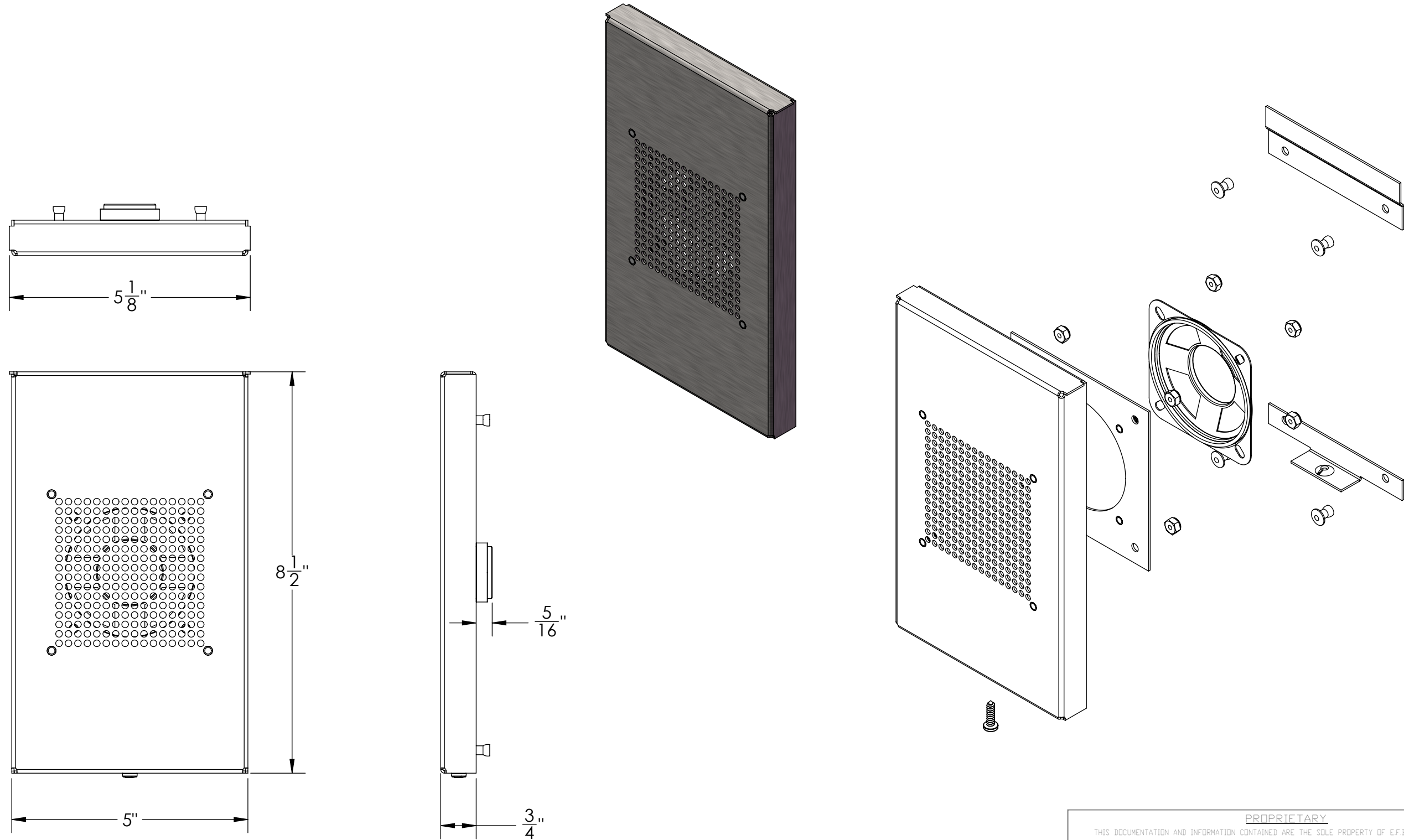
PROPRIETARY

THIS DOCUMENTATION AND INFORMATION CONTAINED ARE THE SOLE PROPERTY OF E.F. BAVIS & ASSOC., INC. IT SHALL BE RETURNED UPON REQUEST AND SHALL NOT BE REPRODUCED IN WHOLE OR IN PART, OR DISCLOSED TO ANYONE ELSE, OR USED, WITHOUT WRITTEN CONSENT OF E.F. BAVIS & ASSOC., INC.



201 GRANDIN RD.
MAINEVILLE, OH 45039
T: 513.677.0500
F: 513.677.0552
WWW.BAVIS.COM


SIGNATURES	DATE	TITLE
DRAWN: MJC	01/08/18	BD3 TDR UNIVERSAL REAR FILLER SHOWN WITH BD3.1
CHECKED:		
ENGR.:		
DIMENSIONS ARE IN INCHES UNLESS OTHERWISE SPECIFIED	TOLERANCE UNLESS OTHERWISE NOTED: DECIMAL ± N/A FRACTION ± 1/32 ANGULAR ± N/A	SIZE B DRAWING NO. 24103991 SHEET 1 OF 1
ECN 18906		Pg. 102



HOUSING MATERIAL: 18ga STAINLESS STEEL WITH #4 FINISH
 10ft SPEAKER CABLE IS NOT SHOWN

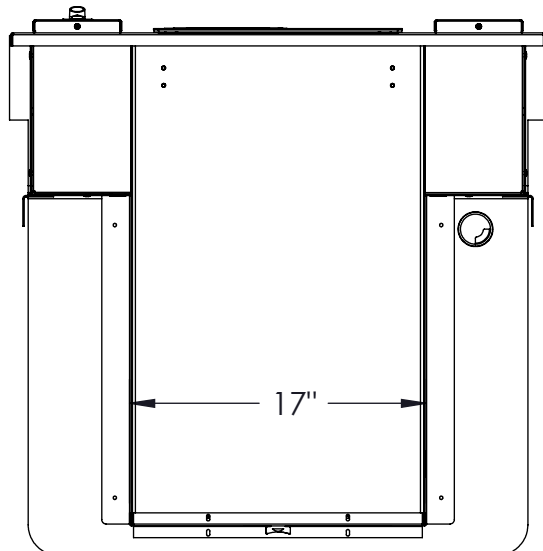
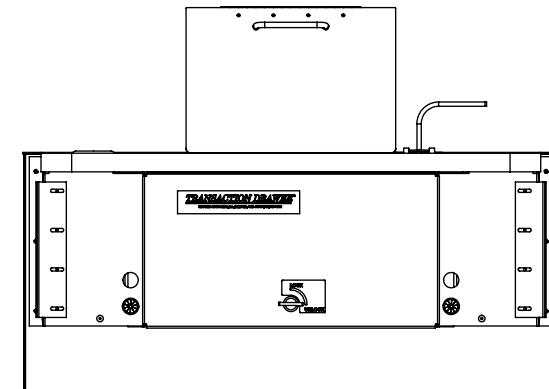
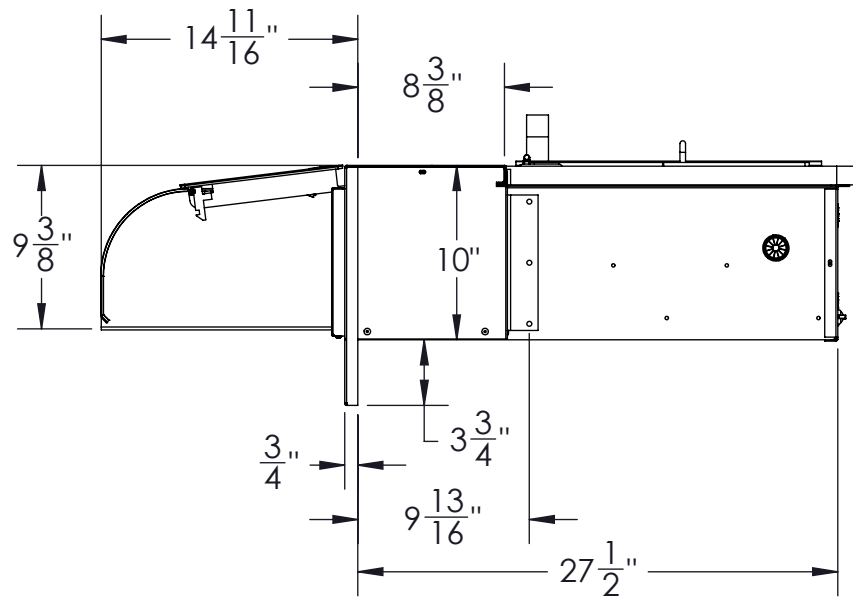
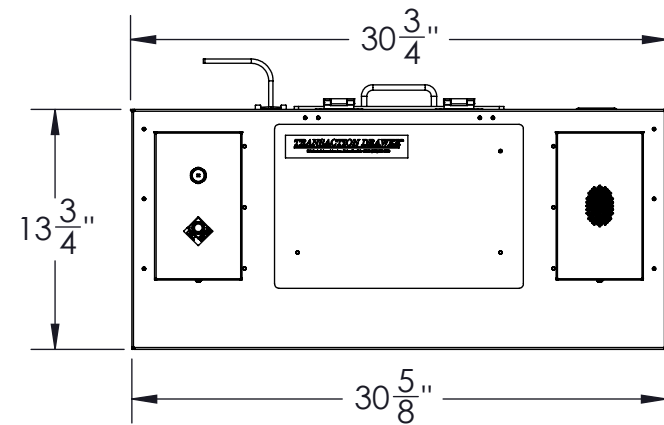
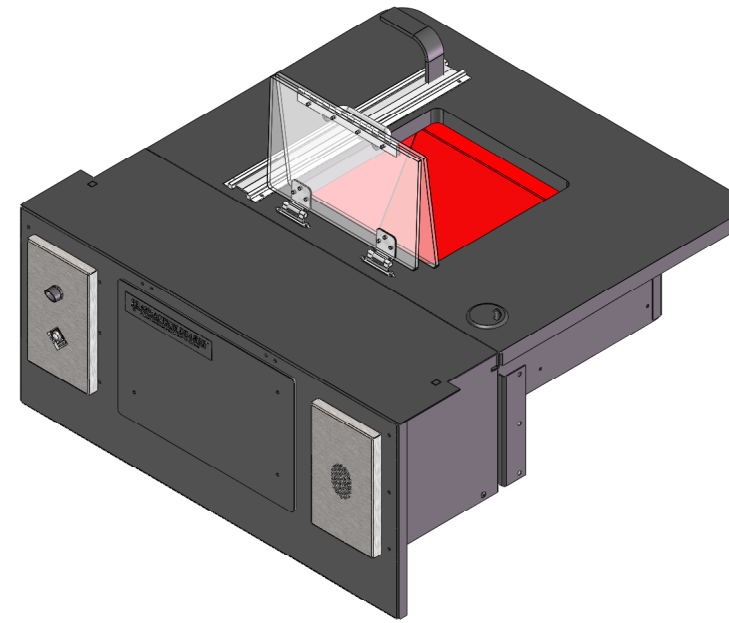
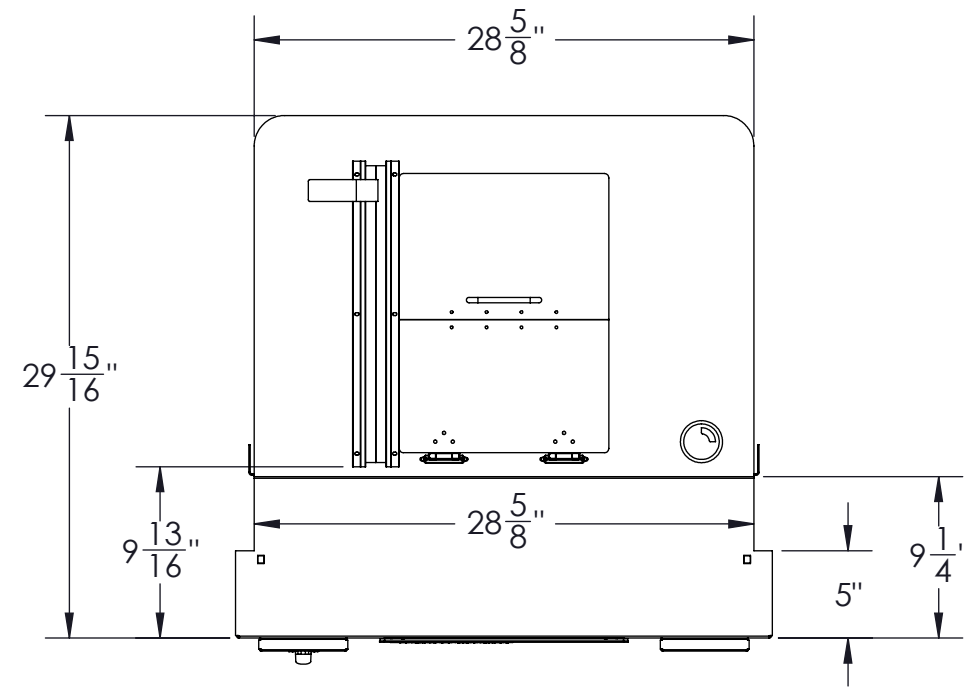
PROPRIETARY

THIS DOCUMENTATION AND INFORMATION CONTAINED ARE THE SOLE PROPERTY OF E.F.BAVIS & ASSOC., INC. IT SHALL BE RETURNED UPON REQUEST AND SHALL NOT BE REPRODUCED IN WHOLE OR IN PART, OR DISCLOSED TO ANYONE ELSE, OR USED, WITHOUT WRITTEN CONSENT OF E.F. BAVIS & ASSOC., INC.



201 GRANDIN RD.
 MAINEVILLE, OH 45039
 T: 513.677.0500
 F: 513.677.0552
 WWW.BAVIS.COM

SIGNATURES		DATE	TITLE
DRAWN MJC		10/08/20	CHANGE A TDR SPEAKER TO AA EXTERNAL SPEAKER
CHECKED			
ENGR.			
DIMENSIONS ARE IN INCHES	TOLERANCE UNLESS OTHERWISE NOTED:		
UNLESS OTHERWISE SPECIFIED	DECIMAL ±	N/A	
ECN	FRACTION ±	1/32	
21519	ANGULAR ±	N/A	
SIZE B	DRAWING NO.	41000095	SHEET 1 OF 1



FINISH: BLACK TEXTURED POWDER COAT WITH
 STAINLESS STEEL #4 FINISH AUDIO PANELS
 LAMINATED COUNTERTOP COLOR: BLACK
 (CONTACT FACTORY FOR OTHER FINISHES)

MINIMUM WALL OPENING: 28-3/4" WIDE X 10-1/8" TALL
 MAXIMUM WALL OPENING: 30-1/2" WIDE X 13-1/2" TALL

AUDIO COMPONENT MODUALS ARE STAINLESS STEEL AND CAN BE
 CONFIGURED FOR A HANDSET OR DIEBOLD AUDIO COMPONENTS

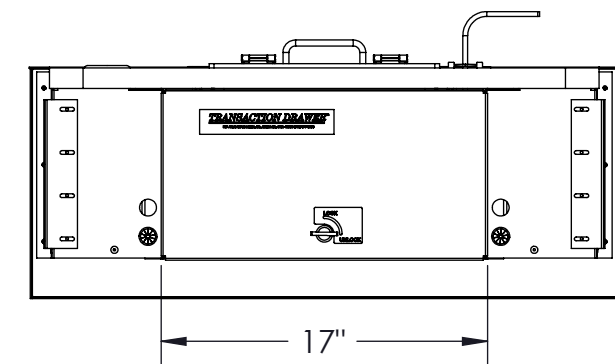
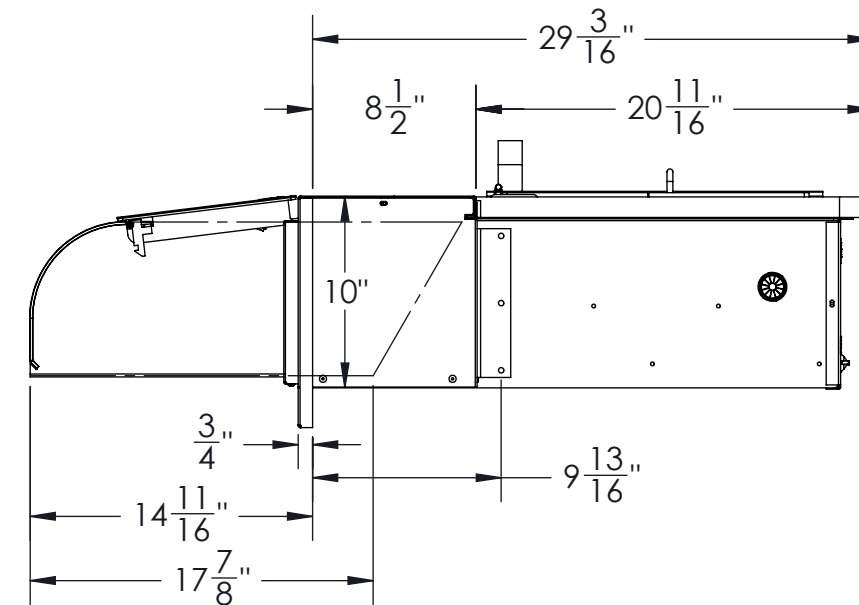
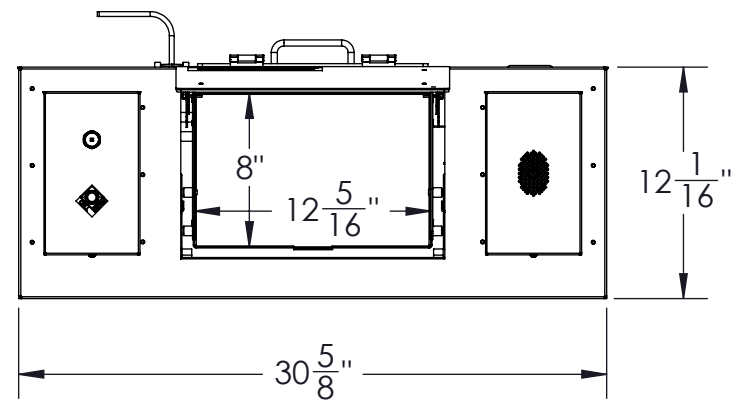
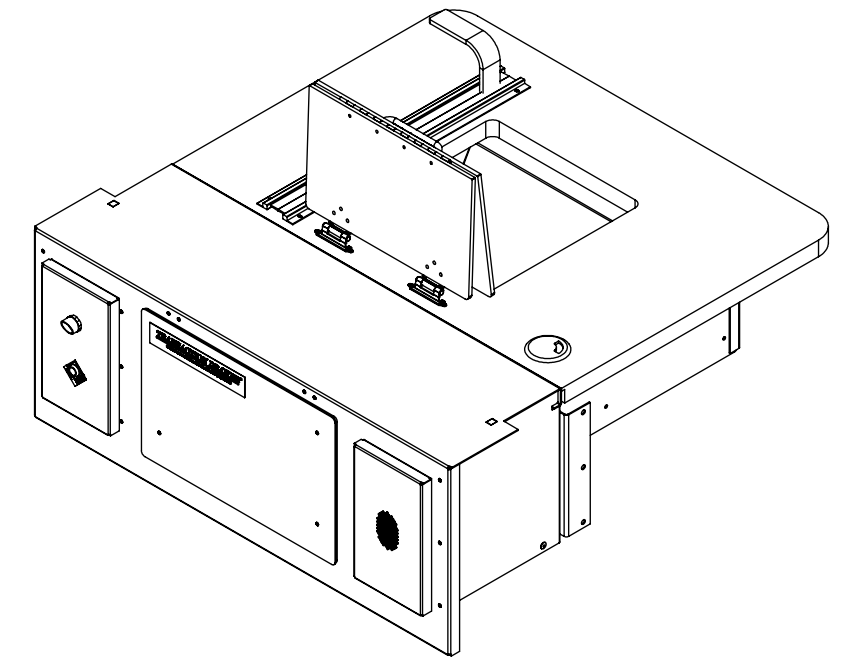
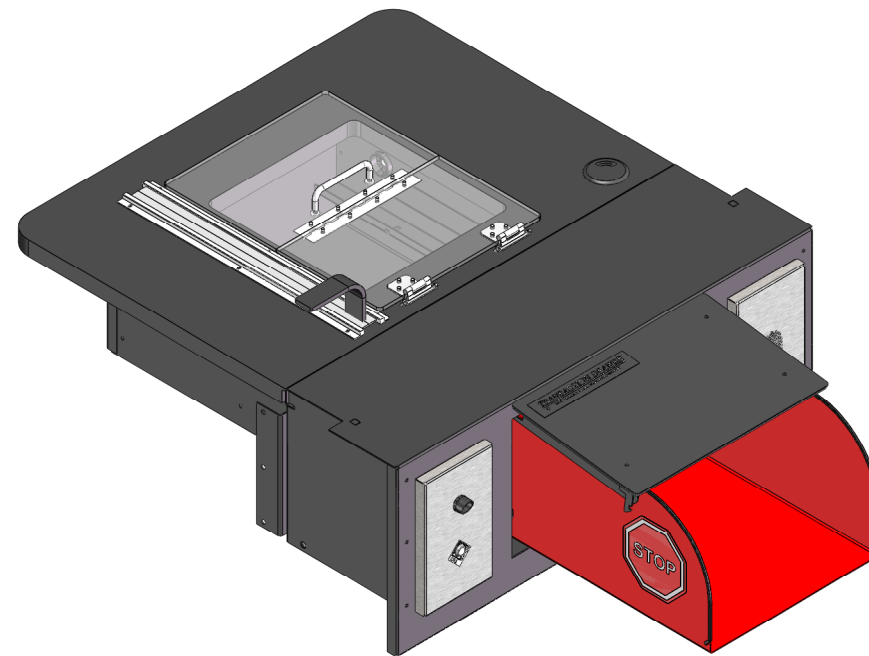
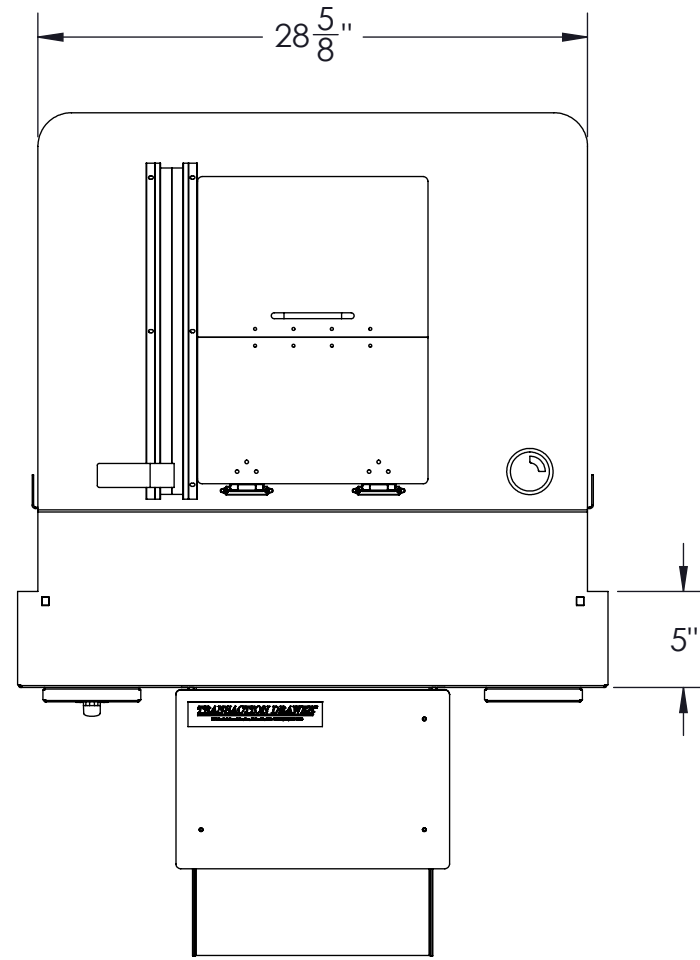
ALL DIMENSIONS AND APPEARANCES ARE SUBJECT TO CHANGE
 WITHOUT NOTICE.

PROPRIETARY
 THIS DOCUMENTATION AND INFORMATION CONTAINED ARE THE SOLE PROPERTY OF E.F.BAVIS & ASSOC., INC.
 IT SHALL BE RETURNED UPON REQUEST AND SHALL NOT BE REPRODUCED IN WHOLE OR IN PART,
 OR DISCLOSED TO ANYONE ELSE, OR USED, WITHOUT WRITTEN CONSENT OF E.F. BAVIS & ASSOC., INC.



201 GRANDIN RD.
 MAINEVILLE, OH 45039
 T: 513.677.0500
 F: 513.677.0552
 WWW.BAVIS.COM


SIGNATURES		DATE	TITLE
DRAWN MJC		03/02/15	BASIC DRAWER 3 (BD3)
CHECKED			
ENGR.			
DIMENSIONS ARE IN INCHES		TOLERANCE UNLESS OTHERWISE NOTED:	
UNLESS OTHERWISE SPECIFIED		DECIMAL ± N/A	
ECN		FRACTION ± 1/32	
15944	ANGULAR ± N/A	SIZE B	DRAWING NO. 28000994
		SHEET 1	OF 1



- MATERIAL: 14 GA. GALVANNEALED STEEL
- FINISH: BLACK TEXTURED POWDER COAT (CONTACT FACTORY FOR OTHER COLORS)
- COUNTERTOP: LAMINATED - BLACK (CONTACT FACTORY FOR OTHER COLORS)
- MINIMUM WALL OPENING: 28-3/4" WIDE X 10-1/8" TALL
- MAXIMUM WALL OPENING: 30-1/2" WIDE X 11-13/16" TALL
- AUDIO COMPONENT MODUALS ARE STAINLESS STEEL AND CAN BE CONFIGURED FOR A HANDSET OR DIEBOLD AUDIO COMPONENTS
- ALL DIMENSIONS AND APPEARANCES ARE SUBJECT TO CHANGE WITHOUT NOTICE.

PROPRIETARY

THIS DOCUMENTATION AND INFORMATION CONTAINED ARE THE SOLE PROPERTY OF E.F.BAVIS & ASSOC., INC. IT SHALL BE RETURNED UPON REQUEST AND SHALL NOT BE REPRODUCED IN WHOLE OR IN PART, OR DISCLOSED TO ANYONE ELSE, OR USED, WITHOUT WRITTEN CONSENT OF E.F. BAVIS & ASSOC., INC.

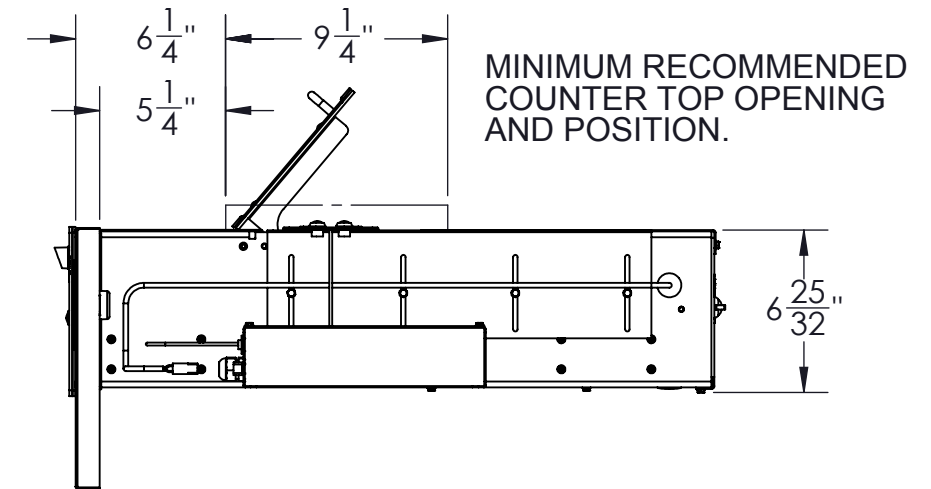
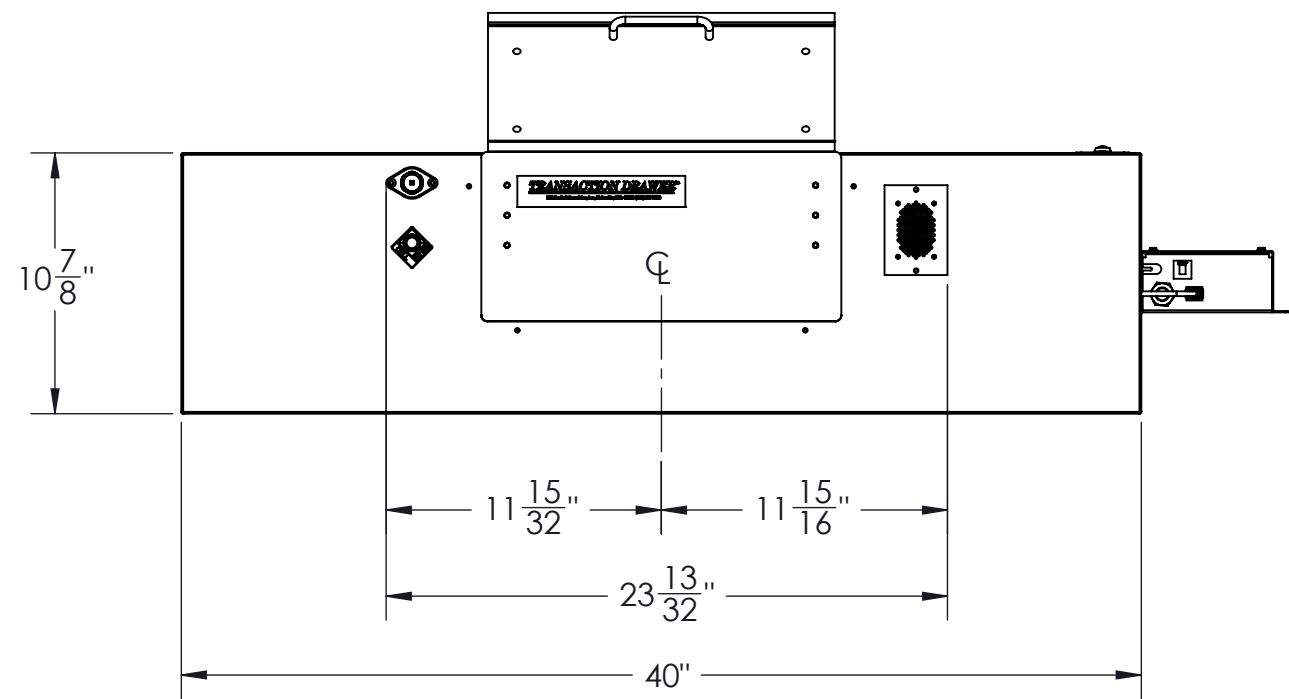
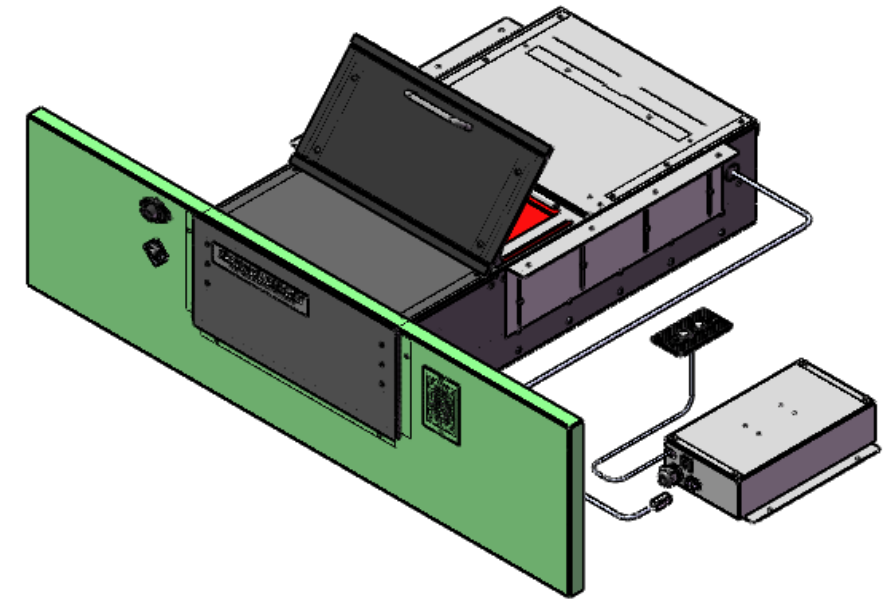
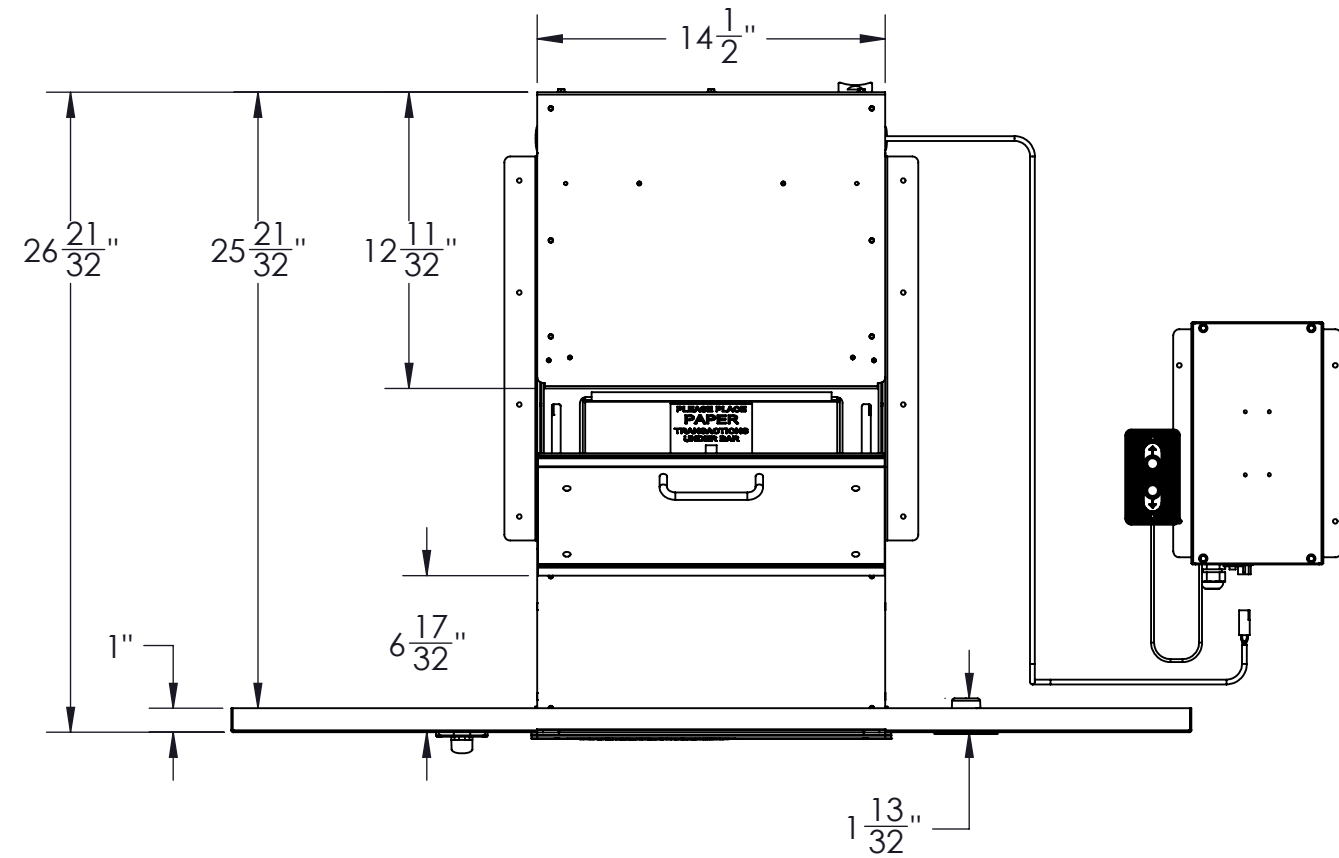


201 GRANDIN RD.
MAINEVILLE, OH 45039
T: 513.677.0500
F: 513.677.0552
WWW.BAVIS.COM

SIGNATURES		DATE	TITLE
DRAWN		MJC	01/18/16
CHECKED			
ENGR.			
DIMENSIONS ARE IN INCHES		TOLERANCE UNLESS OTHERWISE NOTED:	
UNLESS OTHERWISE SPECIFIED		DECIMAL ± N/A	
ECN		FRACTION ± 1/32	
17020		ANGULAR ± N/A	

BASIC DRAWER 3.1

SIZE	DRAWING NO.	SHEET	OF
B	28000995	1	1



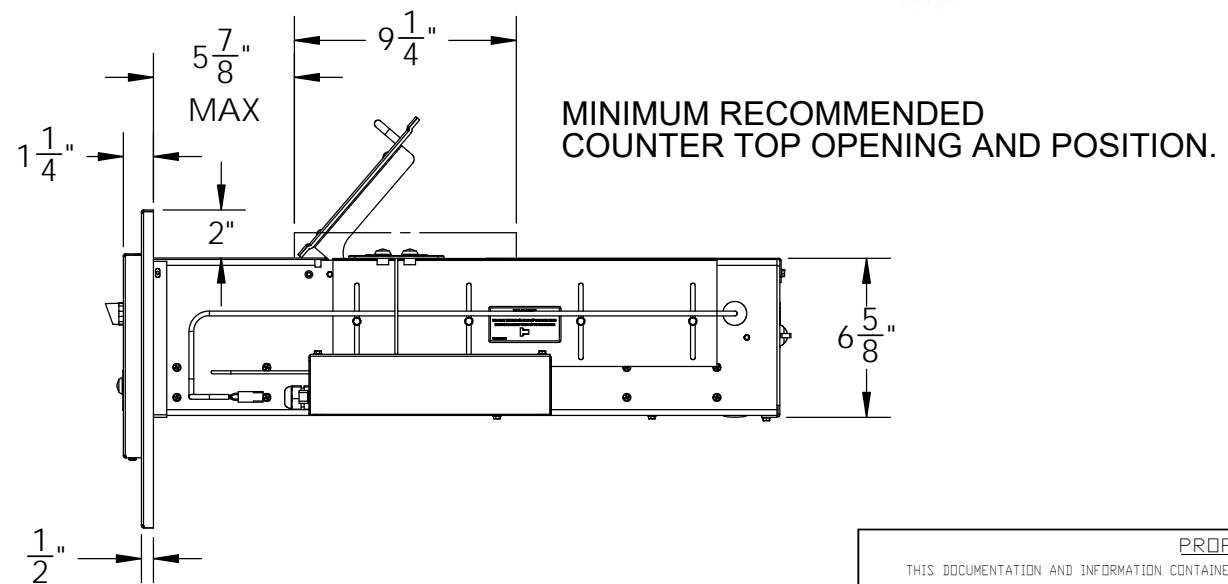
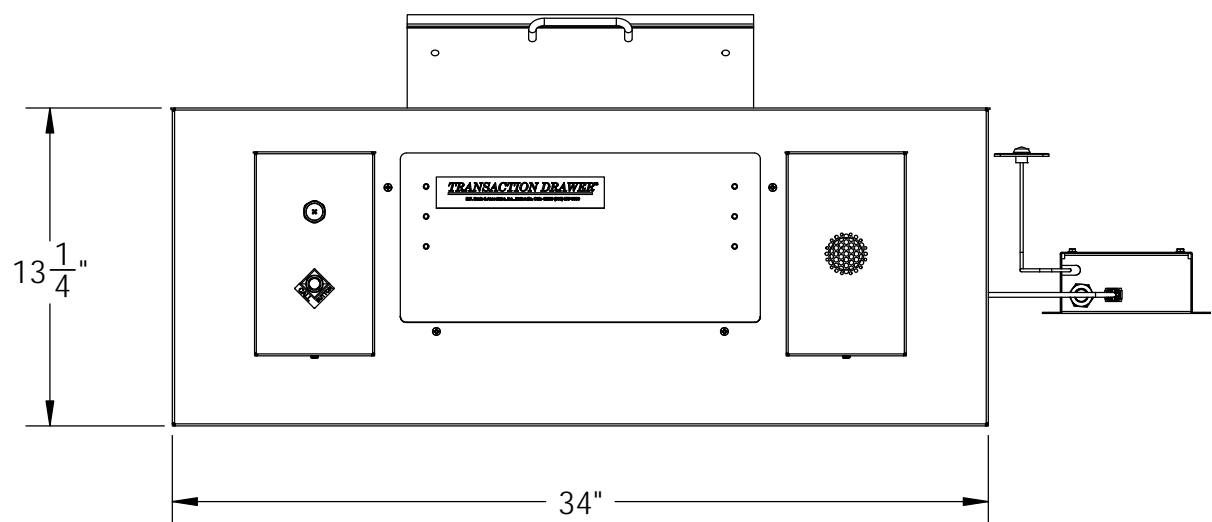
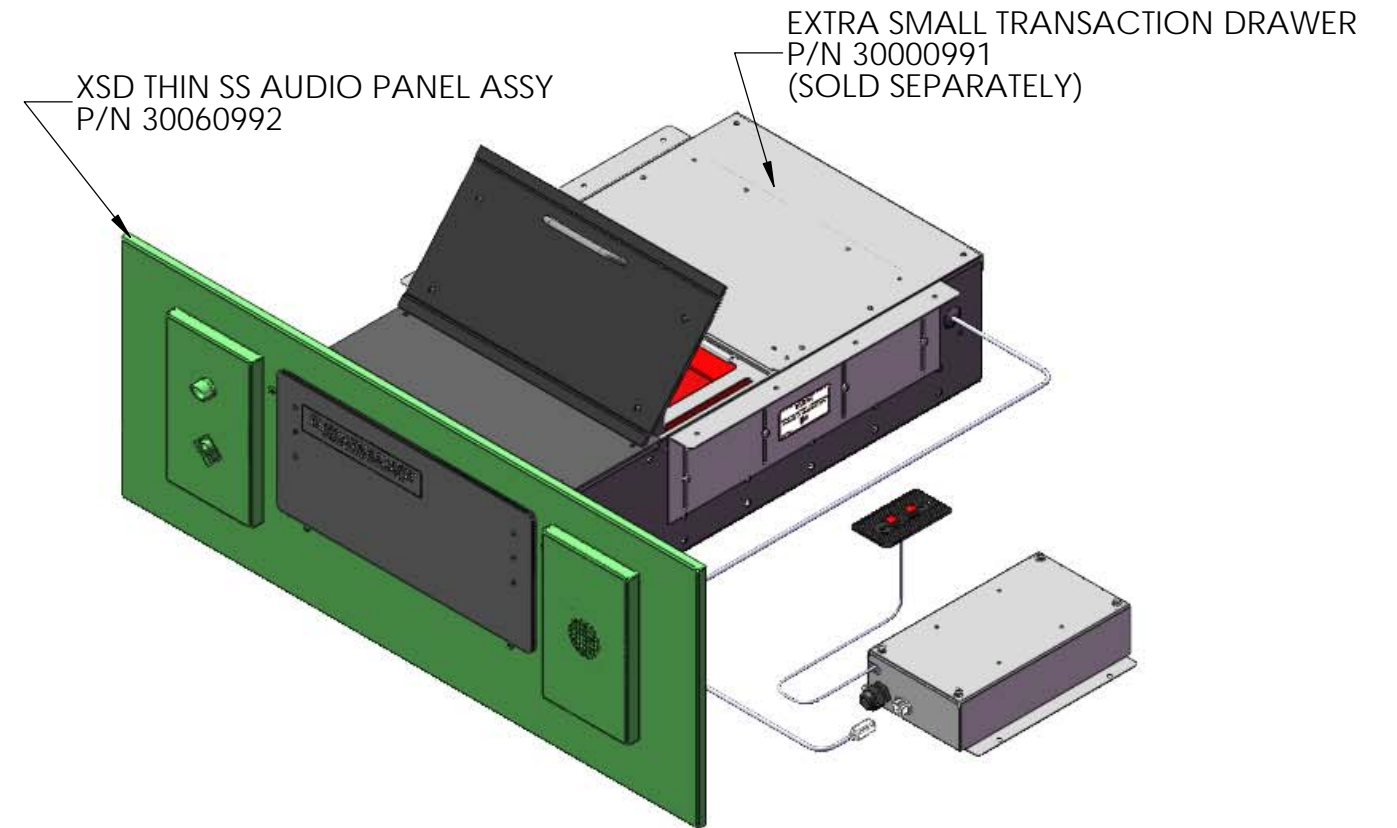
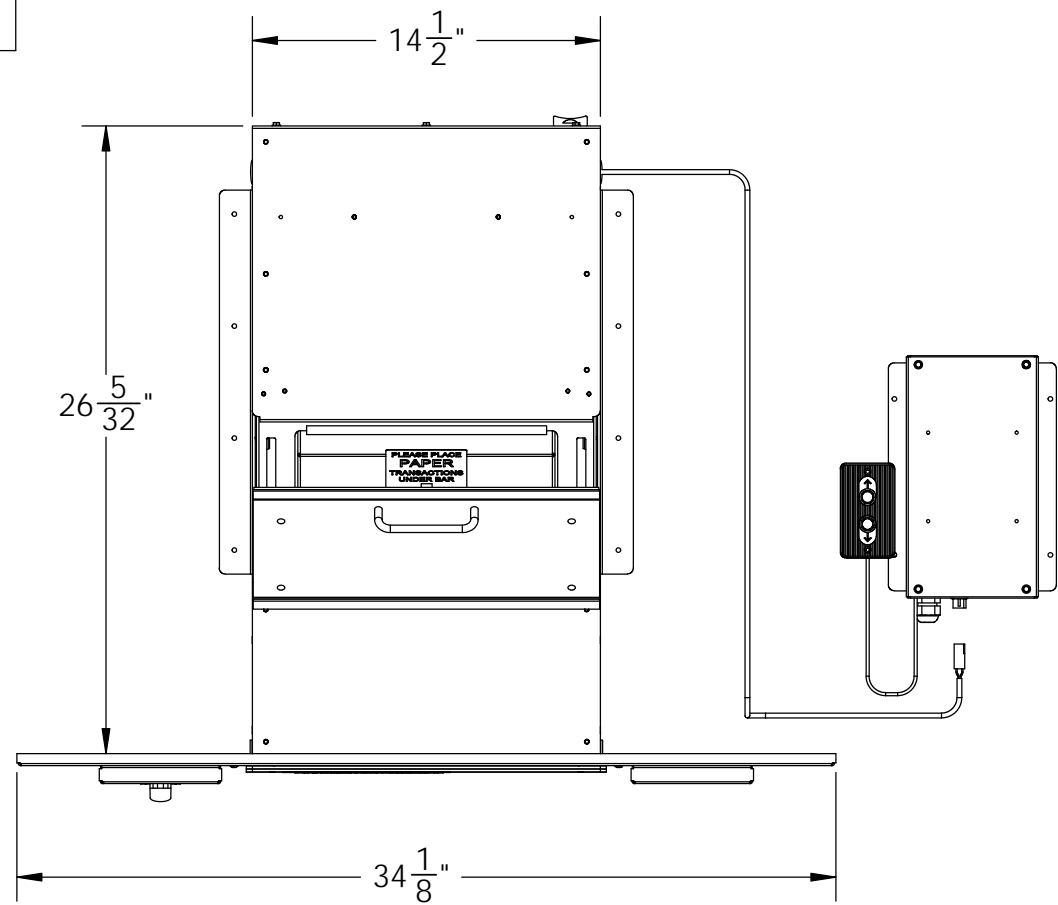
PANEL MATERIAL IS 18 GA. STAINLESS STEEL WITH #4 FINISH (CONTACT FACTORY FOR OTHER FINISHES).
 MODEL 30000991 TRANSACTION DRAWER ASSEMBLY SHOWN IS NOT INCLUDED IN THIS KIT
 ALL DIMENSIONS AND APPEARANCE ARE SUBJECT TO CHANGE WITHOUT NOTICE.

PROPRIETARY
 THIS DOCUMENTATION AND INFORMATION CONTAINED ARE THE SOLE PROPERTY OF E.F.BAVIS & ASSOC., INC.
 IT SHALL BE RETURNED UPON REQUEST AND SHALL NOT BE REPRODUCED IN WHOLE OR IN PART,
 OR DISCLOSED TO ANYONE ELSE, OR USED, WITHOUT WRITTEN CONSENT OF E.F. BAVIS & ASSOC., INC.



201 GRANDIN RD.
 MAINEVILLE, OH 45039
 T: 513.677.0500
 F: 513.677.0552
 WWW.BAVIS.COM

SIGNATURES		DATE	TITLE
DRAWN MJC		03/16/11	XSD SS AUDIO PANEL ASSEMBLY
CHECKED			
ENGR.			
DIMENSIONS ARE IN INCHES UNLESS OTHERWISE SPECIFIED	TOLERANCE UNLESS OTHERWISE NOTED:		SIZE B DRAWING NO. 30060991 SHEET 1 OF 1
	DECIMAL ± N/A		
ECN 12164	FRACTION ± 1/32		
	ANGULAR ± N/A		



MATERIAL: 18 GA. STAINLESS STEEL WITH #4 FINISH (CONTACT FACTORY FOR OTHER FINISHES).
 MODEL 30000991 TRANSACTION DRAWER WITH OPERATOR SWITCH IS NOT INCLUDED IN THIS KIT.
 ALL DIMENSIONS AND APPEARANCE ARE SUBJECT TO CHANGE WITHOUT NOTICE.

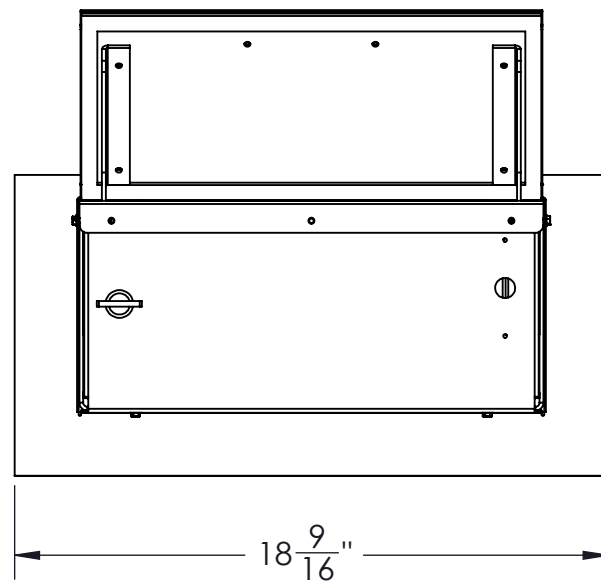
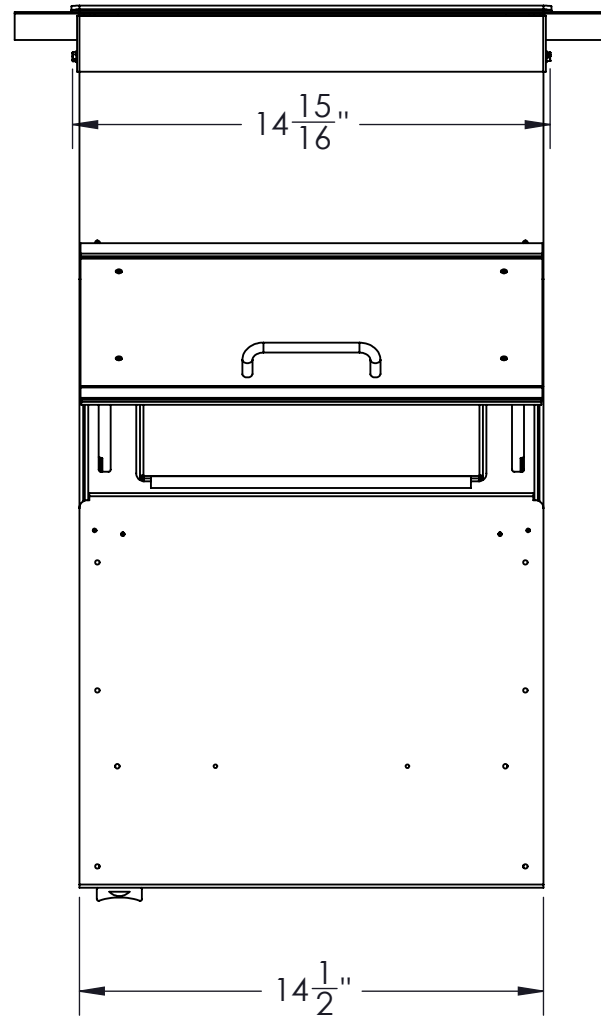
PROPRIETARY

THIS DOCUMENTATION AND INFORMATION CONTAINED ARE THE SOLE PROPERTY OF E.F. BAVIS & ASSOC., INC. IT SHALL BE RETURNED UPON REQUEST AND SHALL NOT BE REPRODUCED IN WHOLE OR IN PART, OR DISCLOSED TO ANYONE ELSE, OR USED, WITHOUT WRITTEN CONSENT OF E.F. BAVIS & ASSOC., INC.

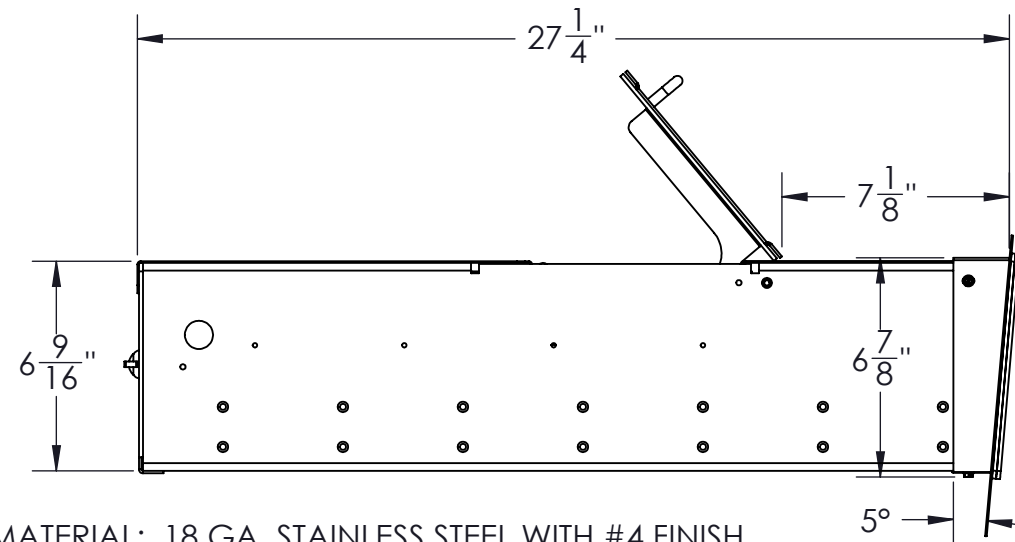
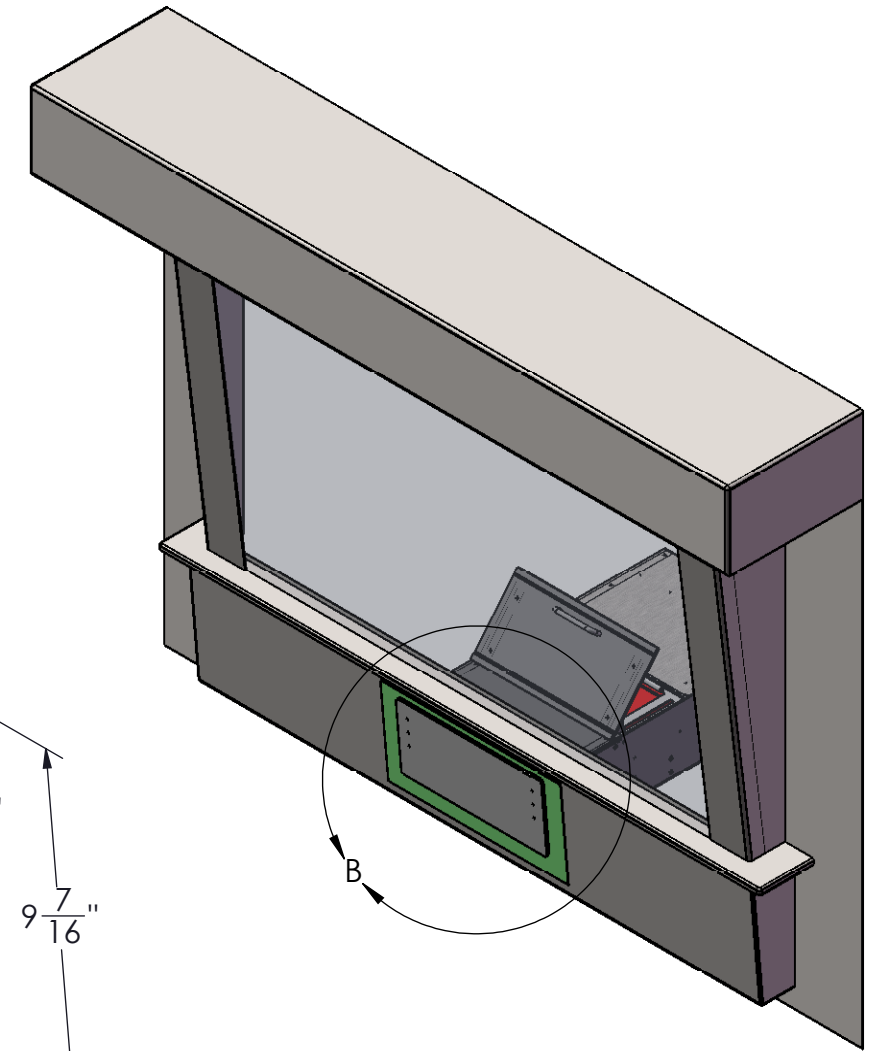
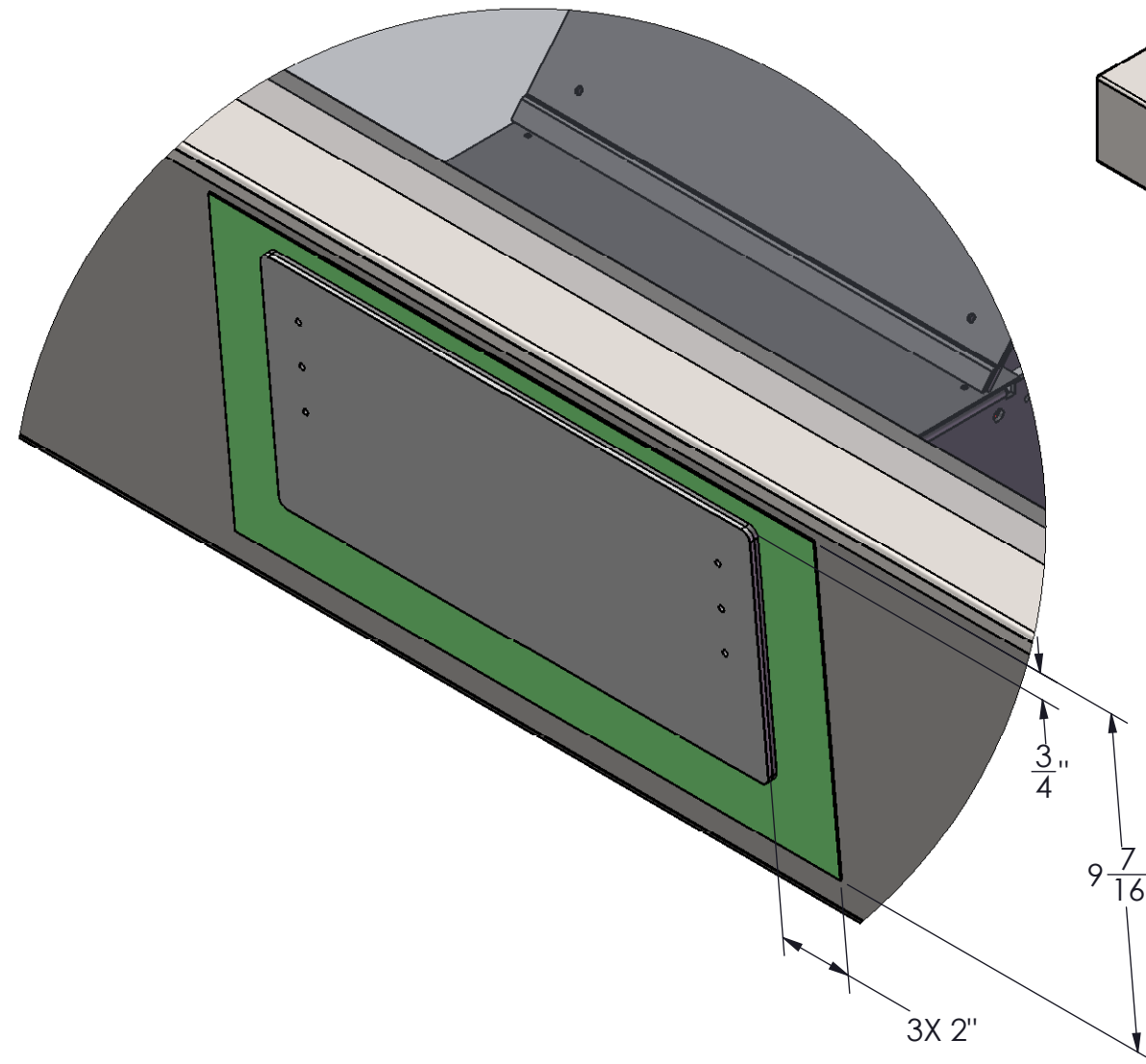
201 GRANDIN RD.
 MAINEVILLE, OH 45039
 T: 513.677.0500
 F: 513.677.0552
 WWW.BAVIS.COM

SIGNATURES		DATE	TITLE
DRAWN MJC		01/08/16	XSD THIN SS AUDIO PANEL ASSY SHOWN WITH 30000991 XSD
CHECKED			
ENGR.			
DIMENSIONS ARE IN INCHES UNLESS OTHERWISE SPECIFIED		TOLERANCE UNLESS OTHERWISE NOTED: DECIMAL ± N/A FRACTION ± 1/32	
ECN	17016	SIZE	DRAWING NO. 30060992 SHEET 1 OF 1

PLAN VIEW



REAR VIEW



MATERIAL: 18 GA. STAINLESS STEEL WITH #4 FINISH (CONTACT FACTORY FOR OTHER FINISHES).

MODEL 30000991 EXTRA SMALL TRANSACTION DRAWER NOT INCLUDED.

ALL DIMENSIONS AND APPEARANCE ARE SUBJECT TO CHANGE WITHOUT NOTICE.

PROPRIETARY
THIS DOCUMENTATION AND INFORMATION CONTAINED ARE THE SOLE PROPERTY OF E.F. BAVIS & ASSOC., INC. IT SHALL BE RETURNED UPON REQUEST AND SHALL NOT BE REPRODUCED IN WHOLE OR IN PART, OR DISCLOSED TO ANYONE ELSE, OR USED, WITHOUT WRITTEN CONSENT OF E.F. BAVIS & ASSOC., INC.

E.F. BAVIS
& Associates, Inc.

201 GRANDIN RD.
MAINEVILLE, OH 45039
T: 513.677.0500
F: 513.677.0552
WWW.BAVIS.COM

SIGNATURES		DATE	TITLE
DRAWN	CLM	10/24/12	XSD 5 Degree Customer Trim Kit
CHECKED			
ENGR.			
DIMENSIONS ARE IN INCHES		TOLERANCE UNLESS OTHERWISE NOTED:	
UNLESS OTHERWISE SPECIFIED		DECIMAL ± N/A	
ECN		FRACTION ± 1/32	
NA		ANGULAR ± N/A	
SIZE	B	DRAWING NO.	30084991
		SHEET	1
		OF	1