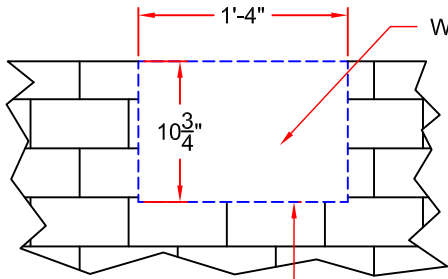
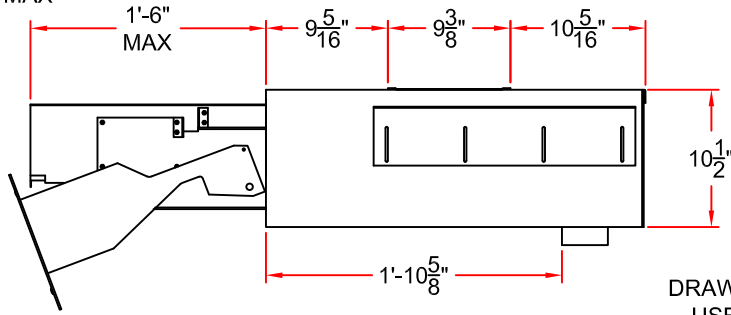


CAN BE LIMITED TO 1'-2" MAX WHEN SPECIFIED

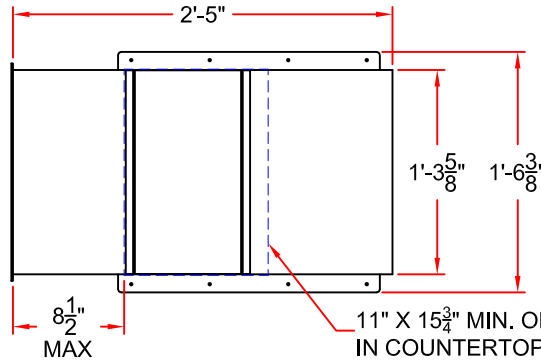


WALL ROUGH OPENING

28" FOR BANK
30" FOR PHARMACY
RECOMMENDED

CURB

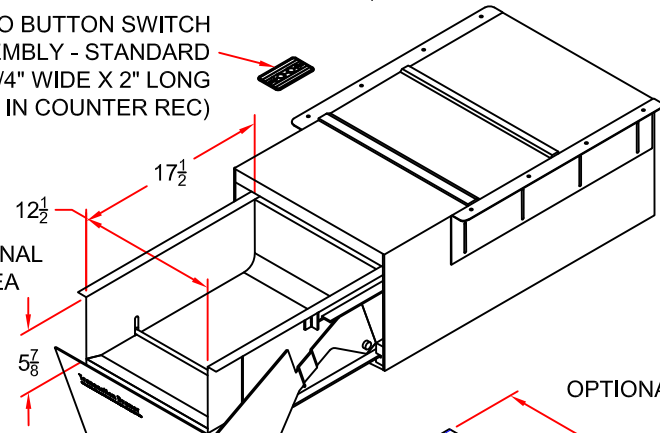
DRIVE SURFACE



11" X 15 3/4" MIN. OPENING
IN COUNTERTOP

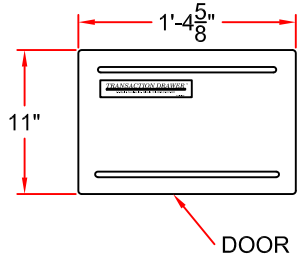
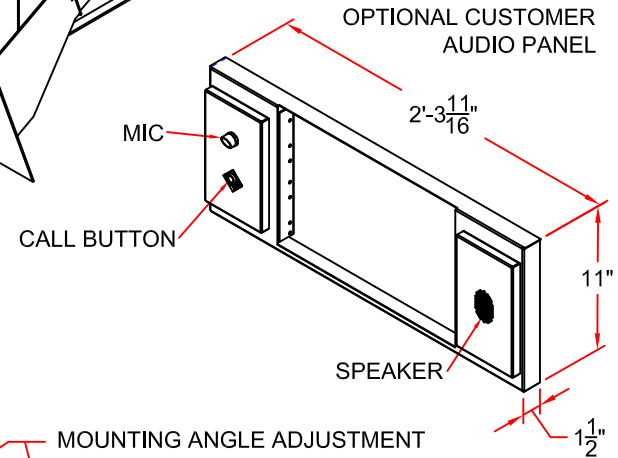
OPTIONAL AUTO-RECALL
SWITCH ASSEMBLY
(1-5/8" WIDE X 2-5/8" LONG
SLOT IN COUNTER REC)

TWO BUTTON SWITCH
ASSEMBLY - STANDARD
(3/4" WIDE X 2" LONG
SLOT IN COUNTER REC)

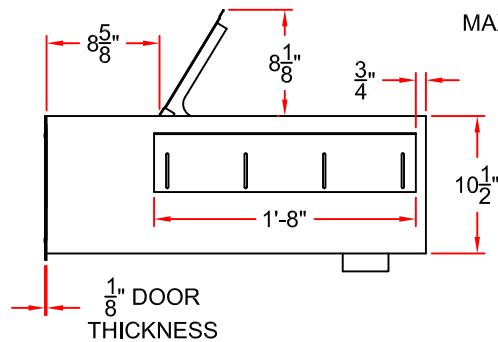


DRAWER INTERNAL
USEABLE AREA

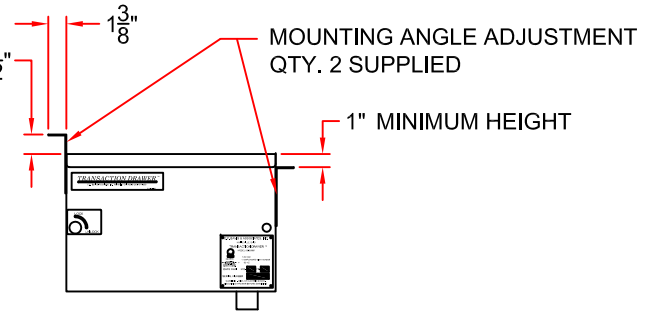
OPTIONAL CUSTOMER
AUDIO PANEL



DOOR



MAX HEIGHT 12 1/2"



MOUNTING ANGLE ADJUSTMENT
QTY. 2 SUPPLIED

PROPRIETARY
THIS DOCUMENTATION AND INFORMATION CONTAINED ARE THE SOLE PROPERTY OF E.F.BAVIS & ASSOC., INC. IT SHALL BE RETURNED UPON REQUEST AND SHALL NOT BE REPRODUCED IN WHOLE OR IN PART, OR DISCLOSED TO ANYONE ELSE, OR USED, WITHOUT WRITTEN CONSENT OF E.F. BAVIS & ASSOC., INC.



E.F.BAVIS & ASSOCIATES INC.
201 GRANDIN RD.
MAINEVILLE, OH 45039

T: 513-677-0500 F: 513-677-0552 E: INFO@BAVIS.COM WWW.BAVIS.COM

DIMENSIONS ARE IN
INCHES
UNLESS OTHERWISE
SPECIFIED

TITLE

**TRANSACTION DRAWER
DIMENSIONS**