

DRIVE-THRU AND PHYSICAL SECURITY SYSTEMS

CAD-A-LOG

» DRAWINGS, DIMENSIONS AND MORE

STOP



FIND YOUR SOLUTION

Transaction Drawers

3

Window Drawer Combinations

9

Premium Security Windows

14

Basic Ballistic Windows

18

Remote Lane Conveyors

23

Pneumatic Tube Systems

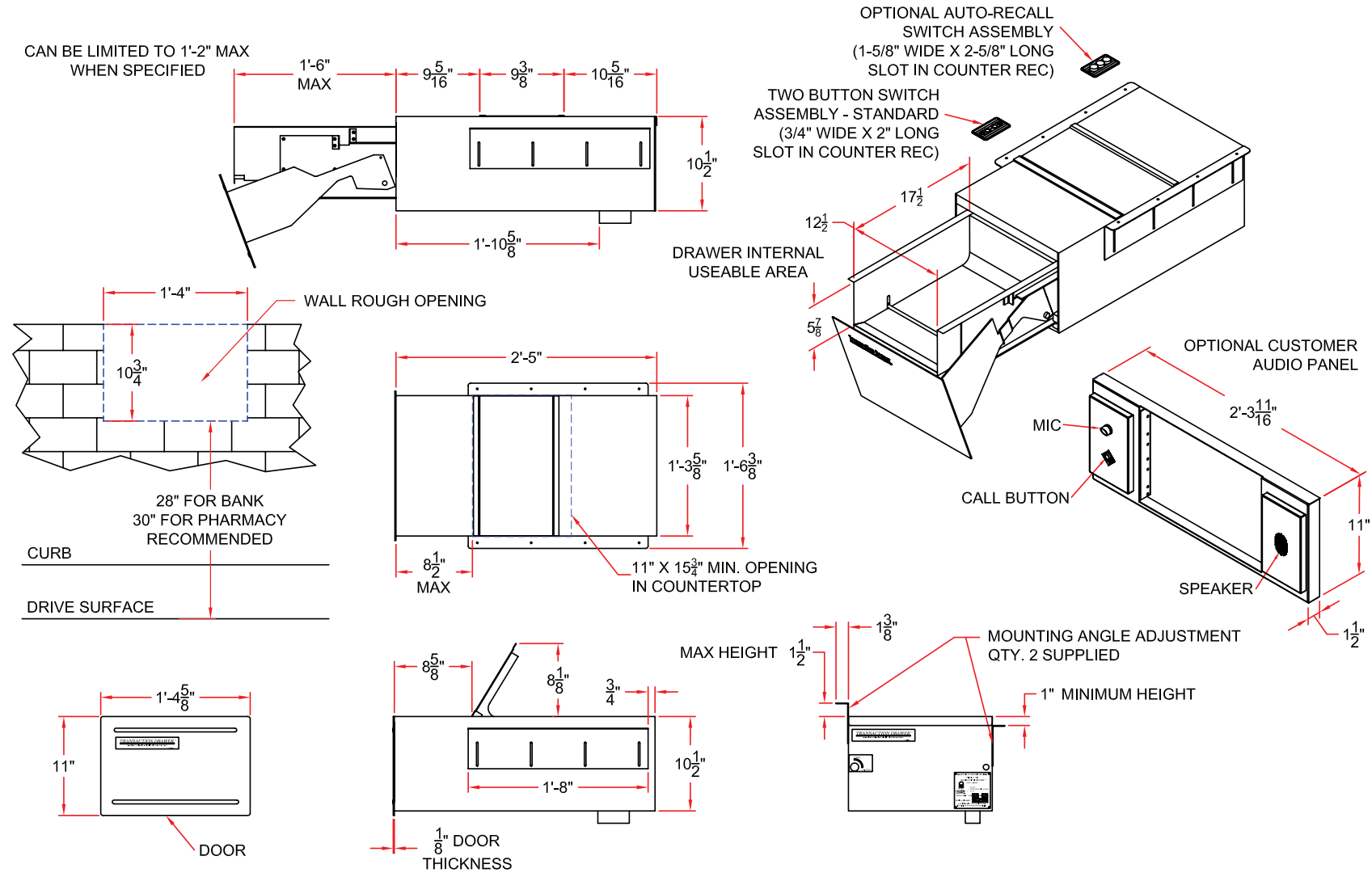
29



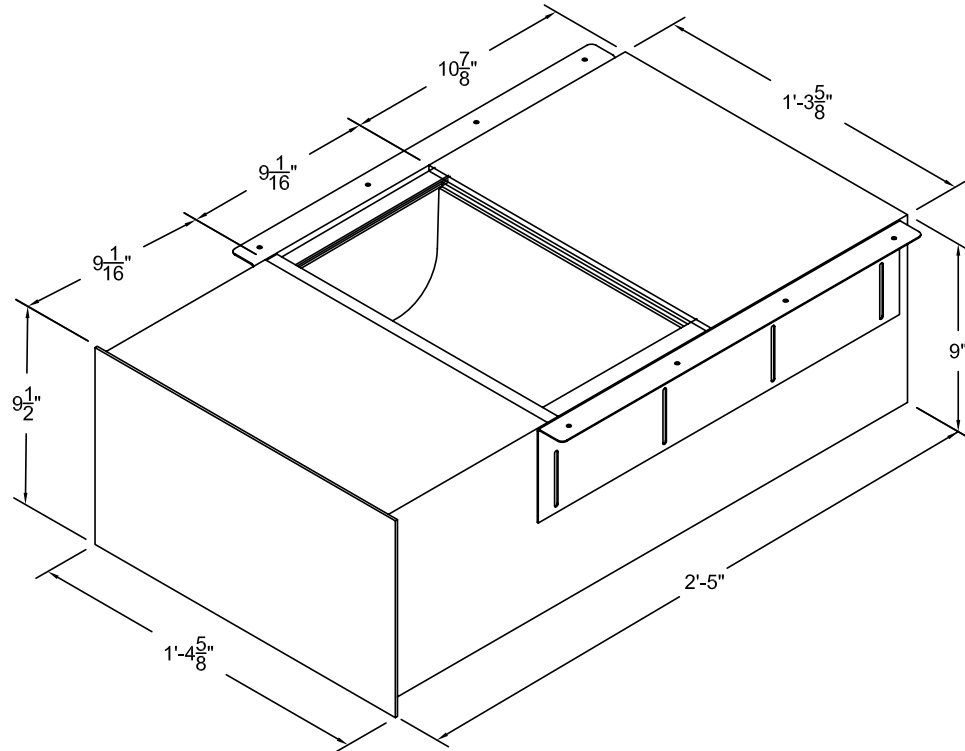
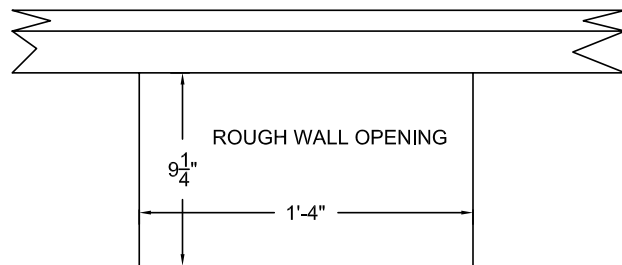
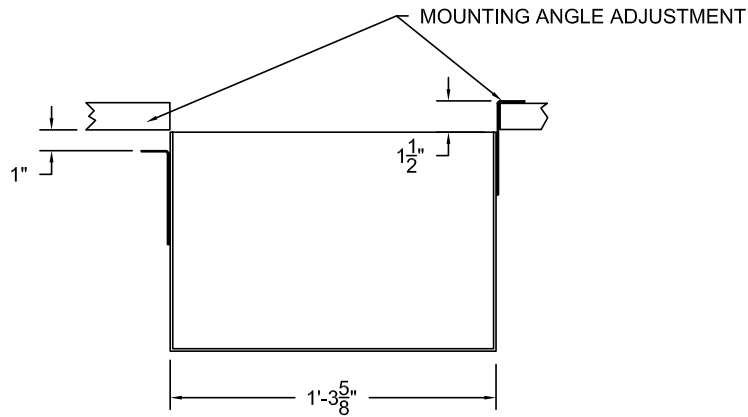
TRANSACTION DRAWERS

Bavis transaction drawers are made of galvanized steel and aluminum components. Electric models are UL-listed, with both premium and electric product lines engineered for longevity, durability and ease of use.

LARGE ELECTRIC TRANSACTION DRAWER / 00500993

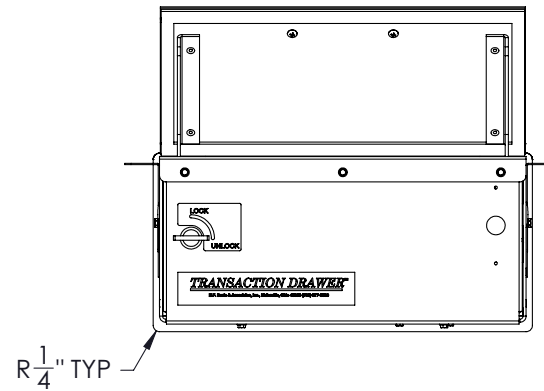
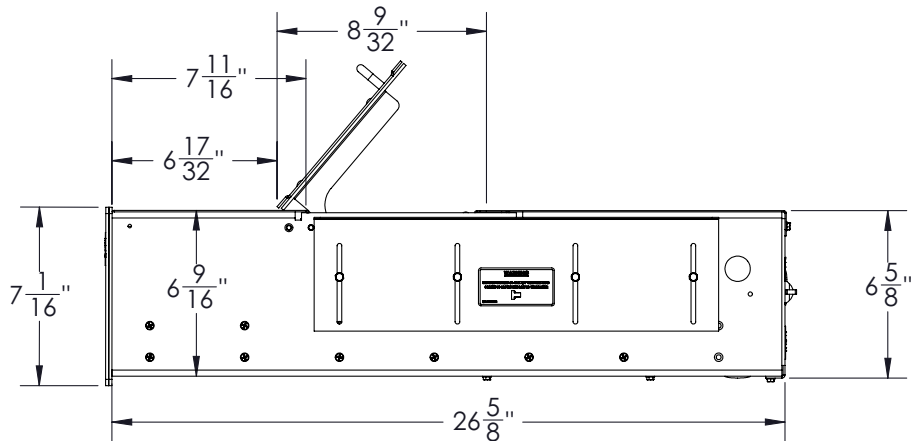
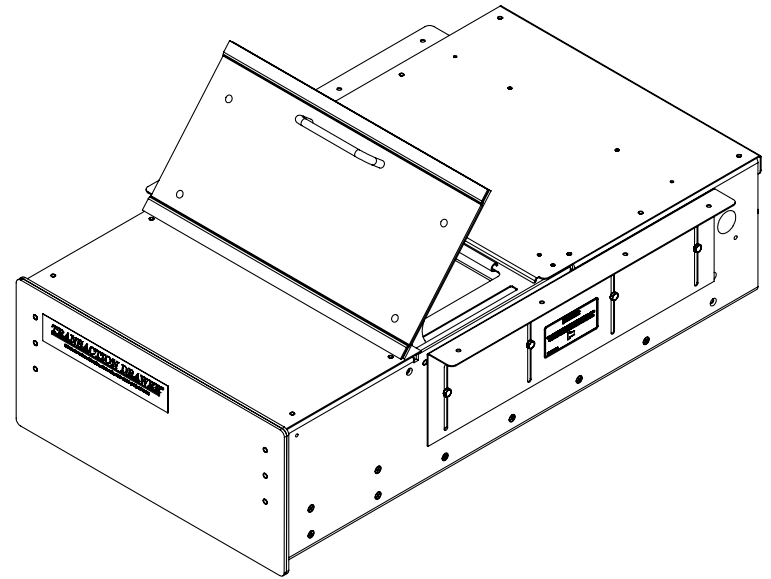
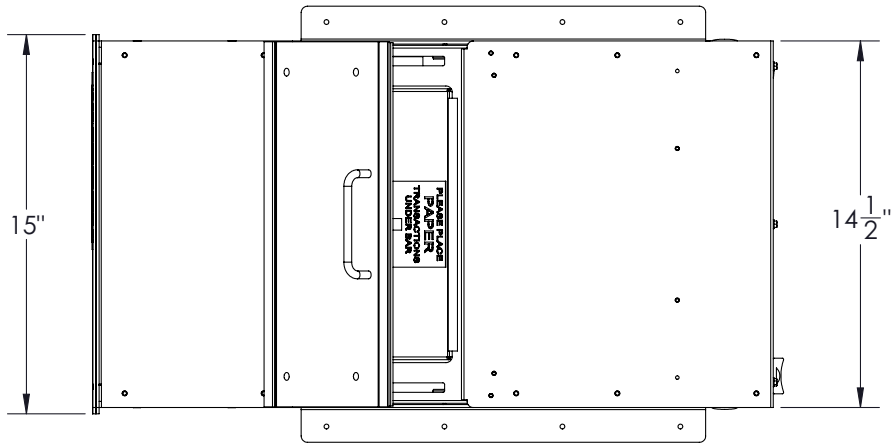


MEDIUM ELECTRIC TRANSACTION DRAWER / 20000991

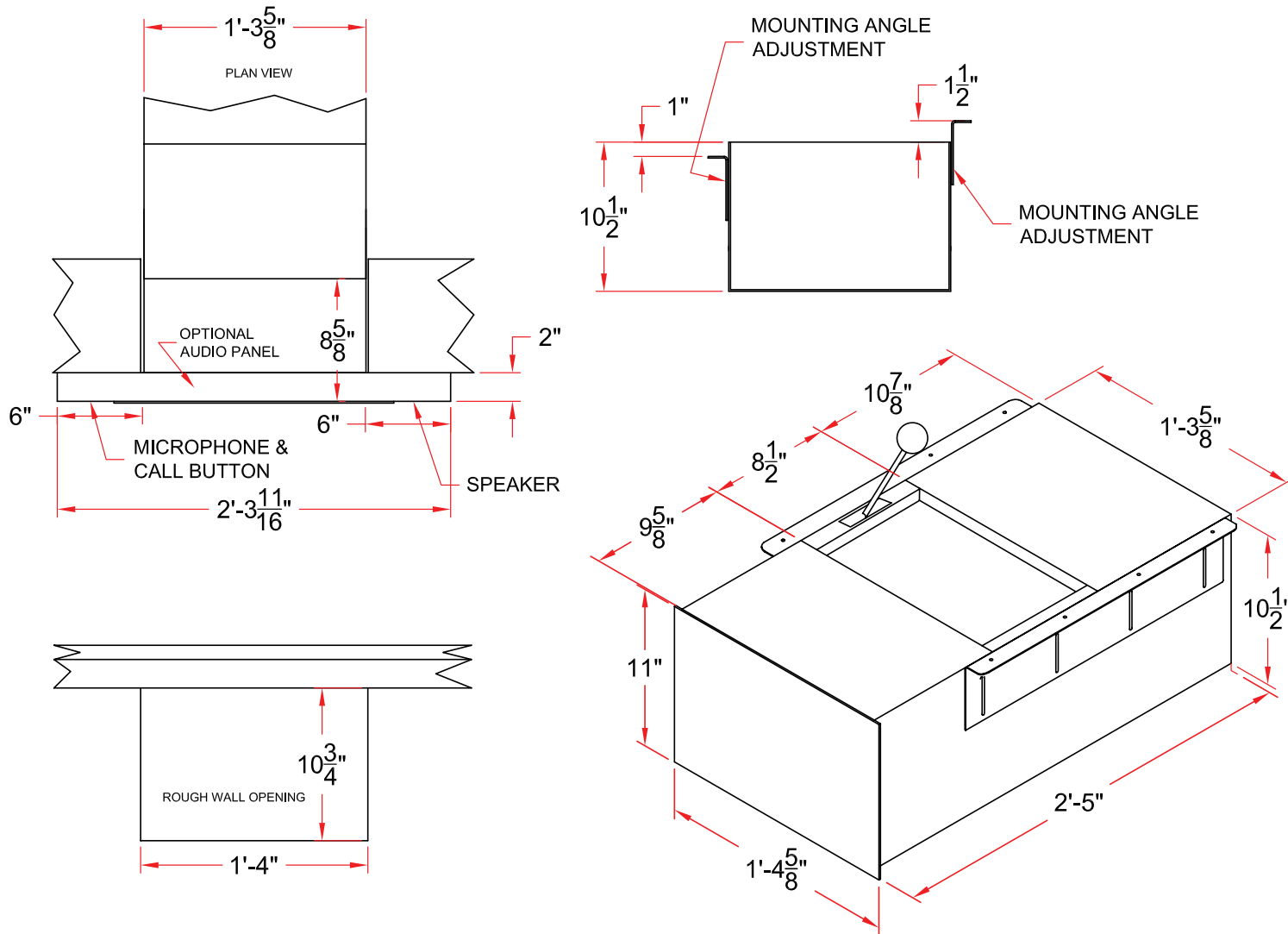


The purpose of this drawing is to provide an indication of standard product dimensions and spatial requirements only. Contact Bavis for the official CAD file of record and product details such as UL numbers, optional upgrades and additional configurations.

SMALL ELECTRIC TRANSACTION DRAWER / 30000991

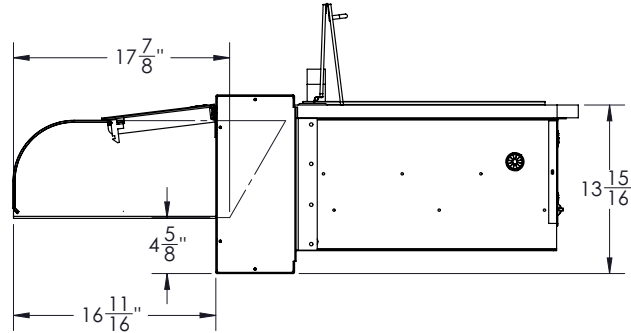
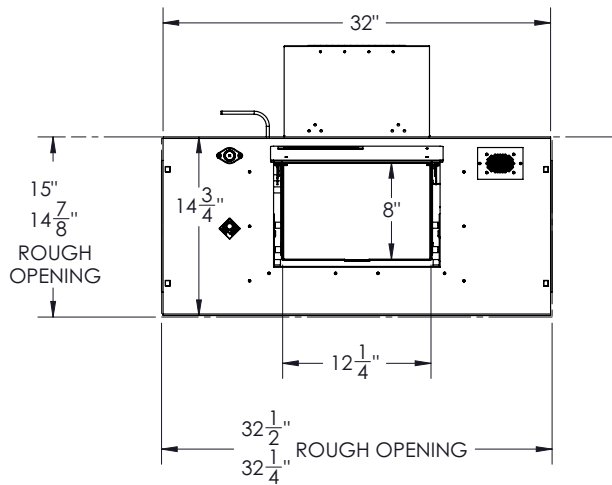
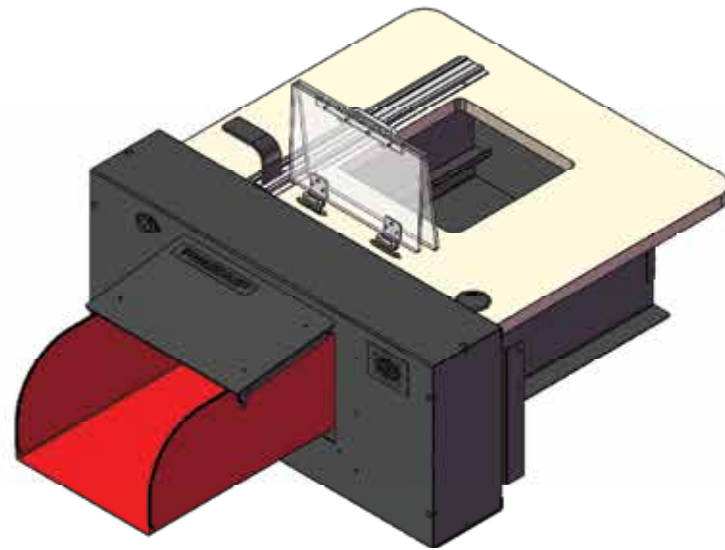
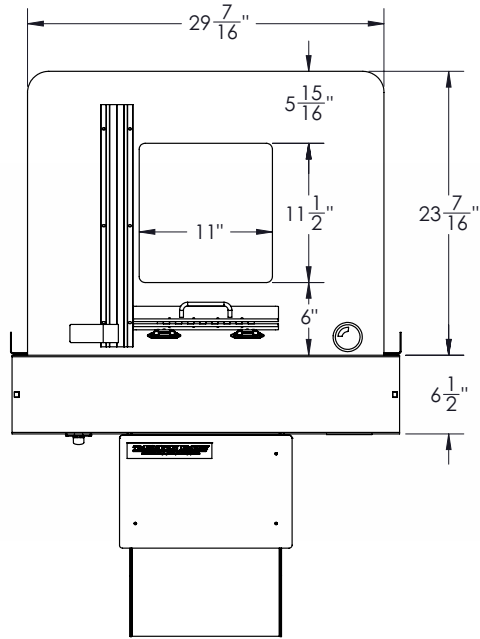


PREMIUM MANUAL TRANSACTION DRAWER / 13000991



The purpose of this drawing is to provide an indication of standard product dimensions and spatial requirements only. Contact Bavis for the official CAD file of record and product details such as UL numbers, optional upgrades and additional configurations.

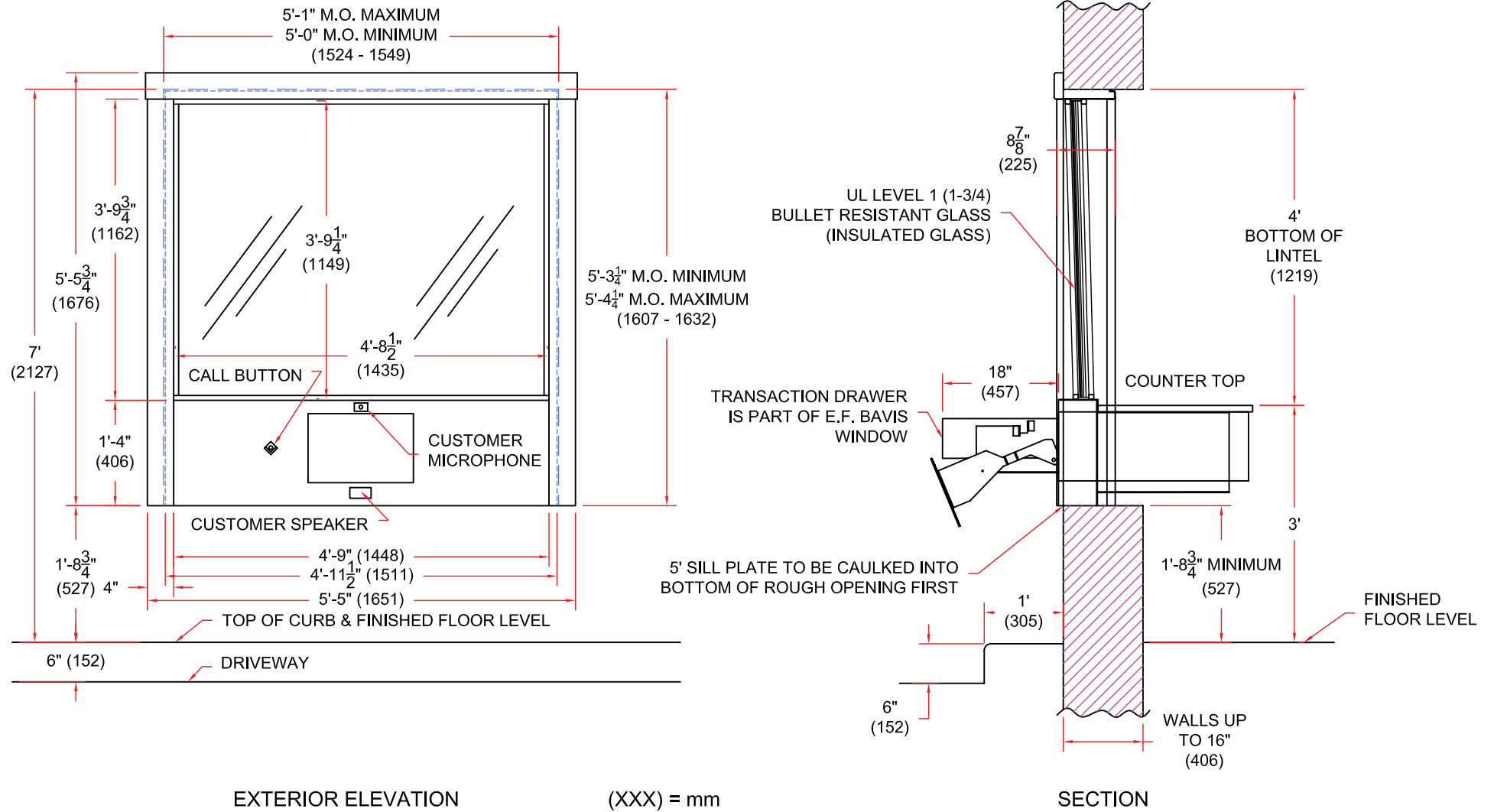
BASIC MANUAL TRANSACTION DRAWER WITH COUNTERTOP / 28000993



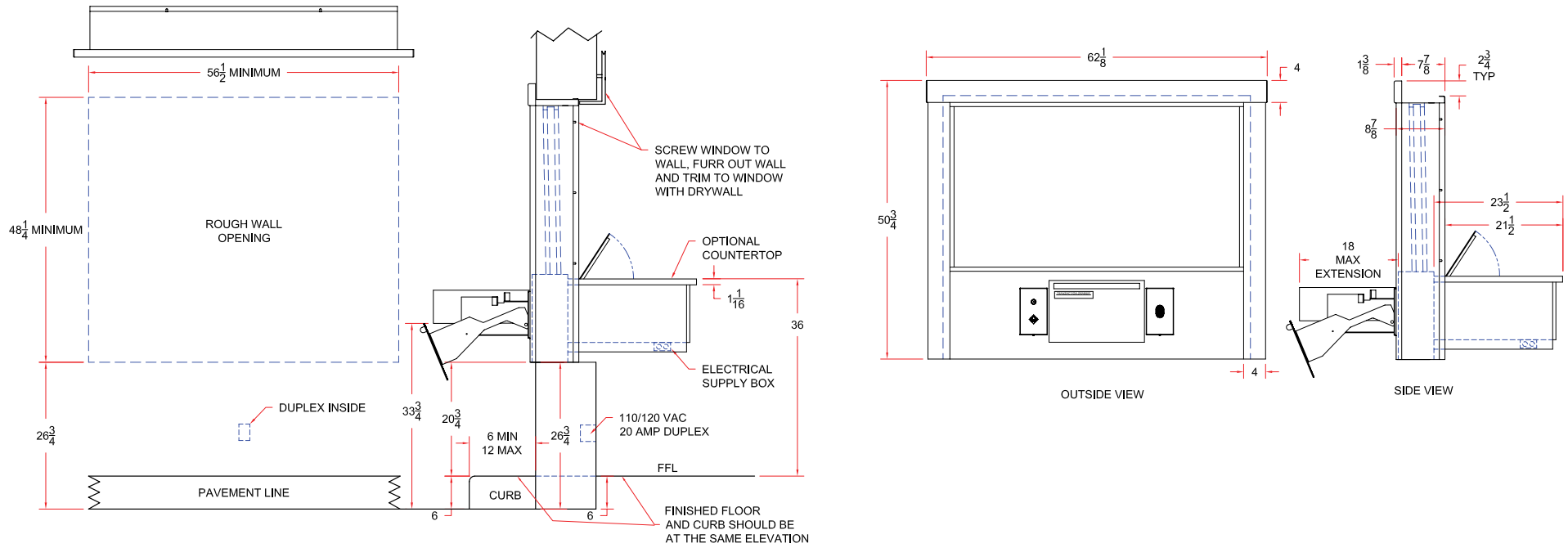
WINDOW-DRAWER COMBINATION UNITS

Window-drawer combos come standard with UL-listed, level-1 bullet-resistant glass and Bavis' large electric transaction drawer.

60X63 WINDOW-DRAWER COMBINATION UNIT / 12000989

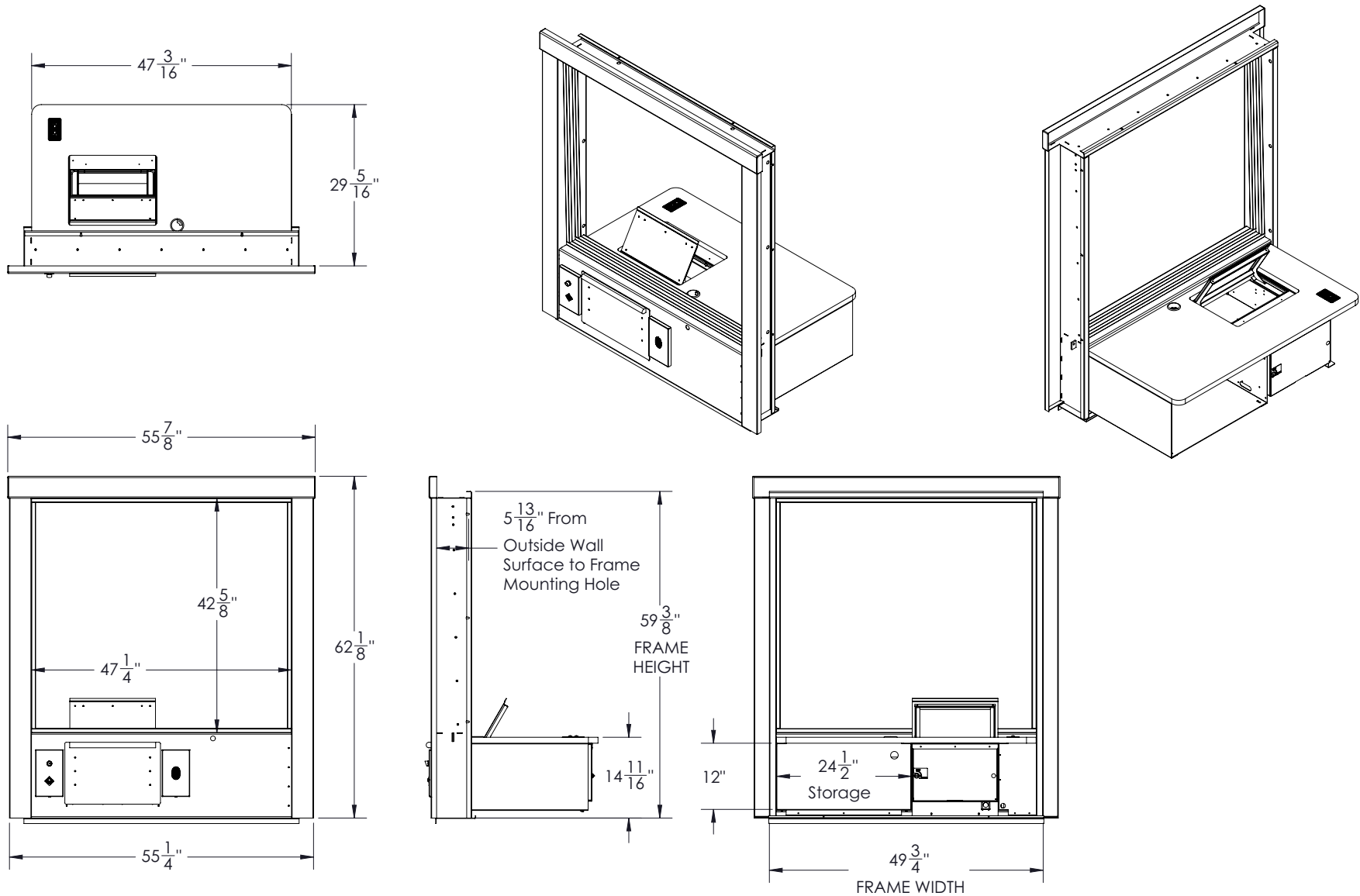


56X48 WINDOW-DRAWER COMBINATION UNIT / 12000993

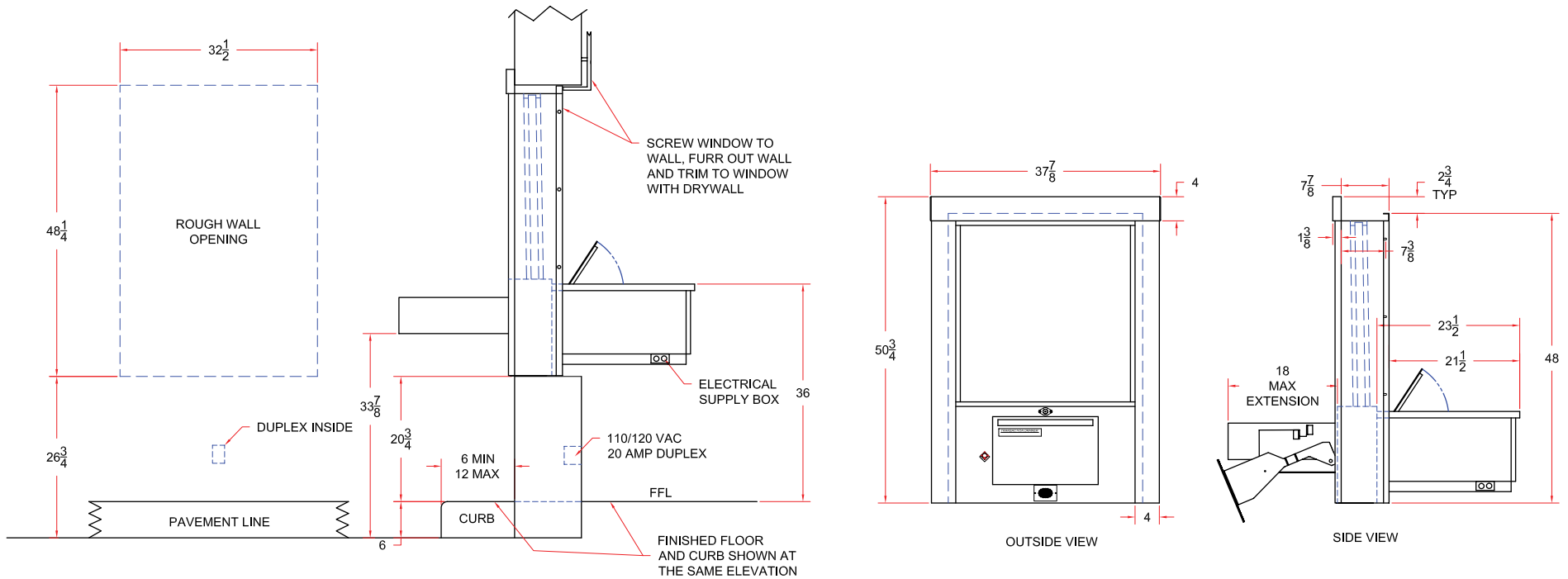


The purpose of this drawing is to provide an indication of standard product dimensions and spatial requirements only. Contact Bavis for the official CAD file of record and product details such as UL numbers, optional upgrades and additional configurations.

50X60 WINDOW-DRAWER COMBINATION UNIT / 12001017



32X48 WINDOW-DRAWER COMBINATION UNIT / 12000992



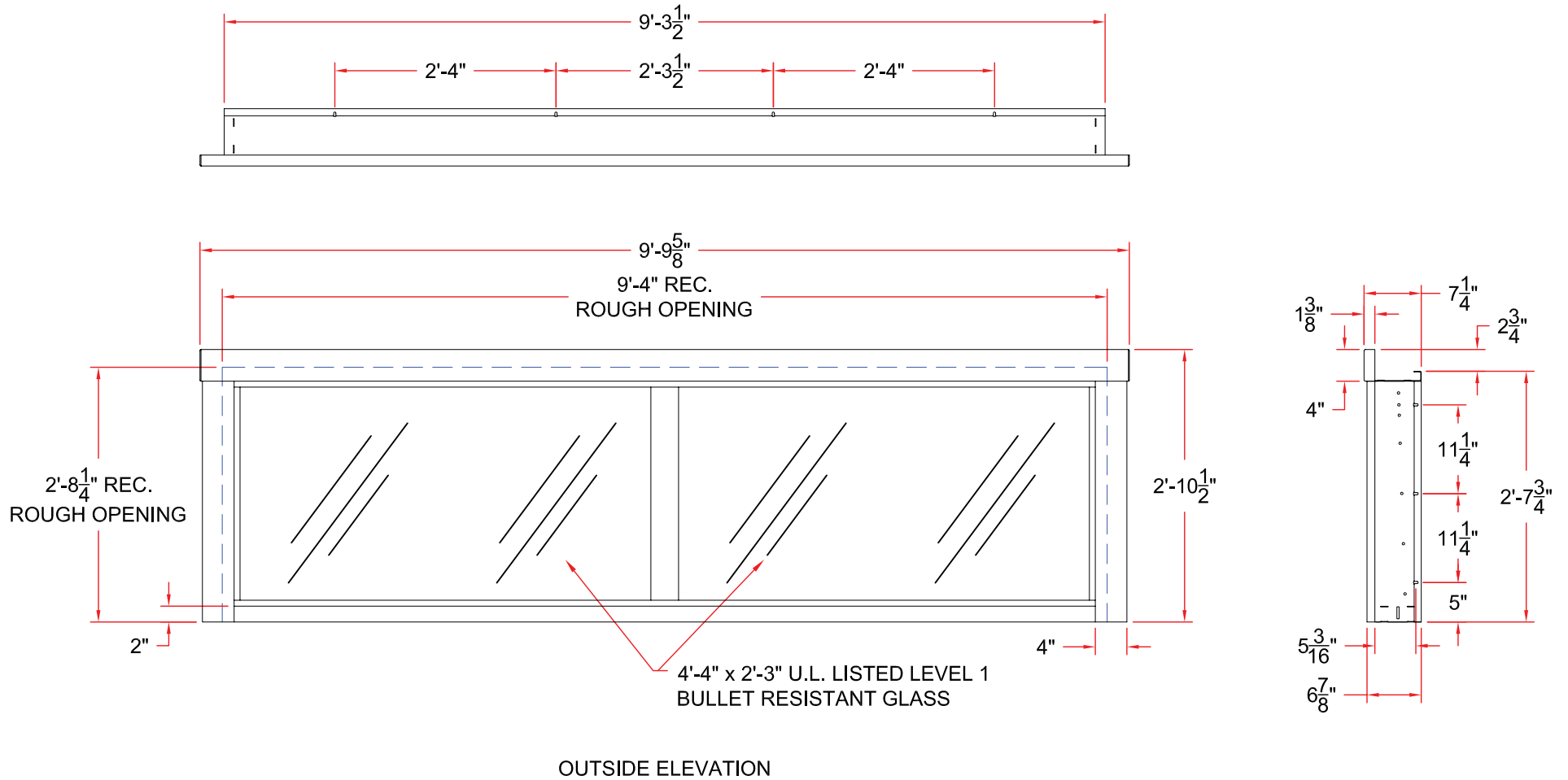
The purpose of this drawing is to provide an indication of standard product dimensions and spatial requirements only. Contact Bavis for the official CAD file of record and product details such as UL numbers, optional upgrades and additional configurations.

PREMIUM SECURITY WINDOWS

Premium security windows come standard with UL-listed, level-1 bullet-resistant glass and a number of configurable options and upgrades.

4'-4" x 2'-3" U.L. LISTED LEVEL 1
BULLET RESISTANT GLASS

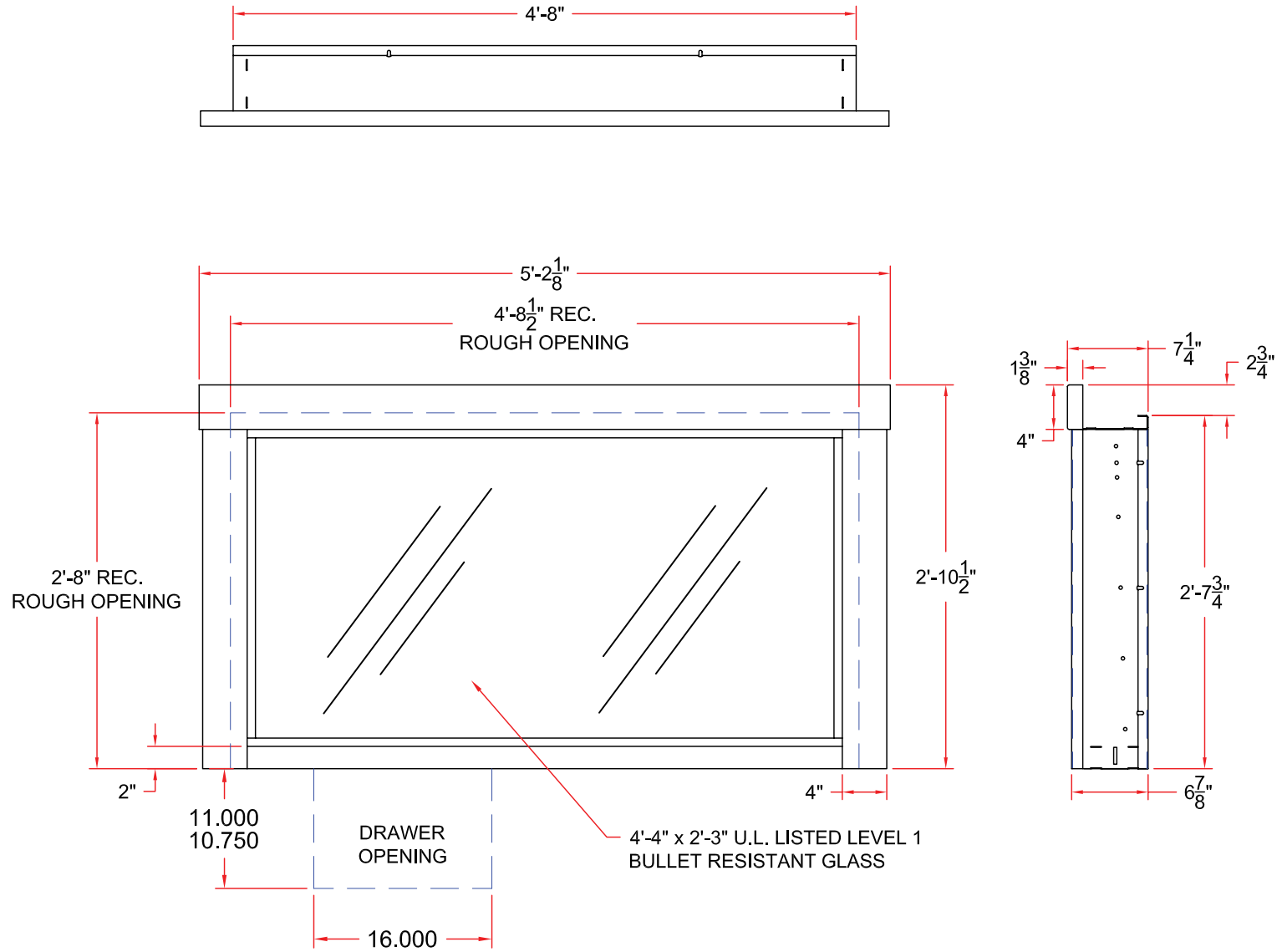
112X32 PREMIUM WINDOW / 12000996



*HVHZ/Hurricane-rated models available.

The purpose of this drawing is to provide an indication of standard product dimensions and spatial requirements only. Contact Bavis for the official CAD file of record and product details such as UL numbers, optional upgrades and additional configurations.

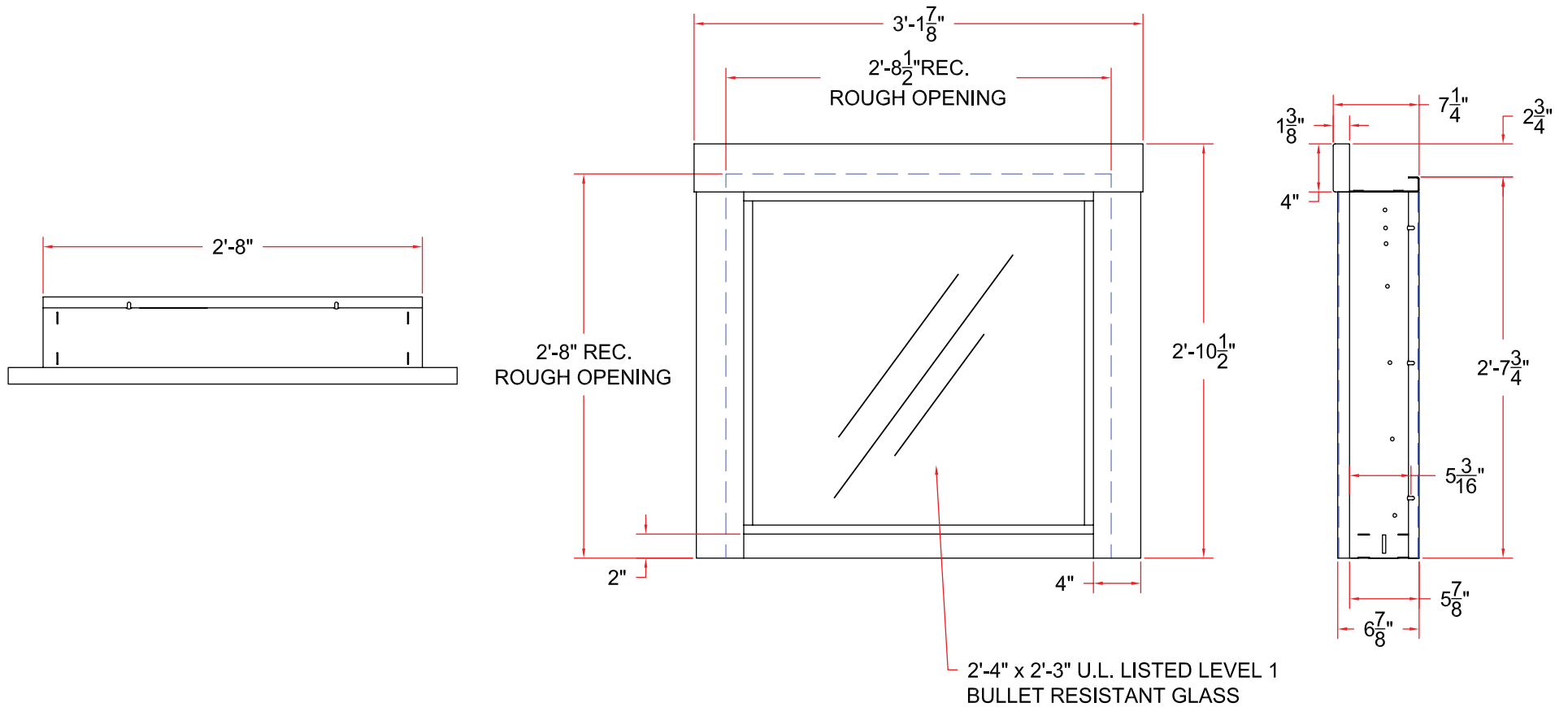
56X32 PREMIUM WINDOW / 12000994



*HVHZ/Hurricane-rated models available.

The purpose of this drawing is to provide an indication of standard product dimensions and spatial requirements only. Contact Bavis for the official CAD file of record and product details such as UL numbers, optional upgrades and additional configurations.

32X32 PREMIUM WINDOW / 12000987

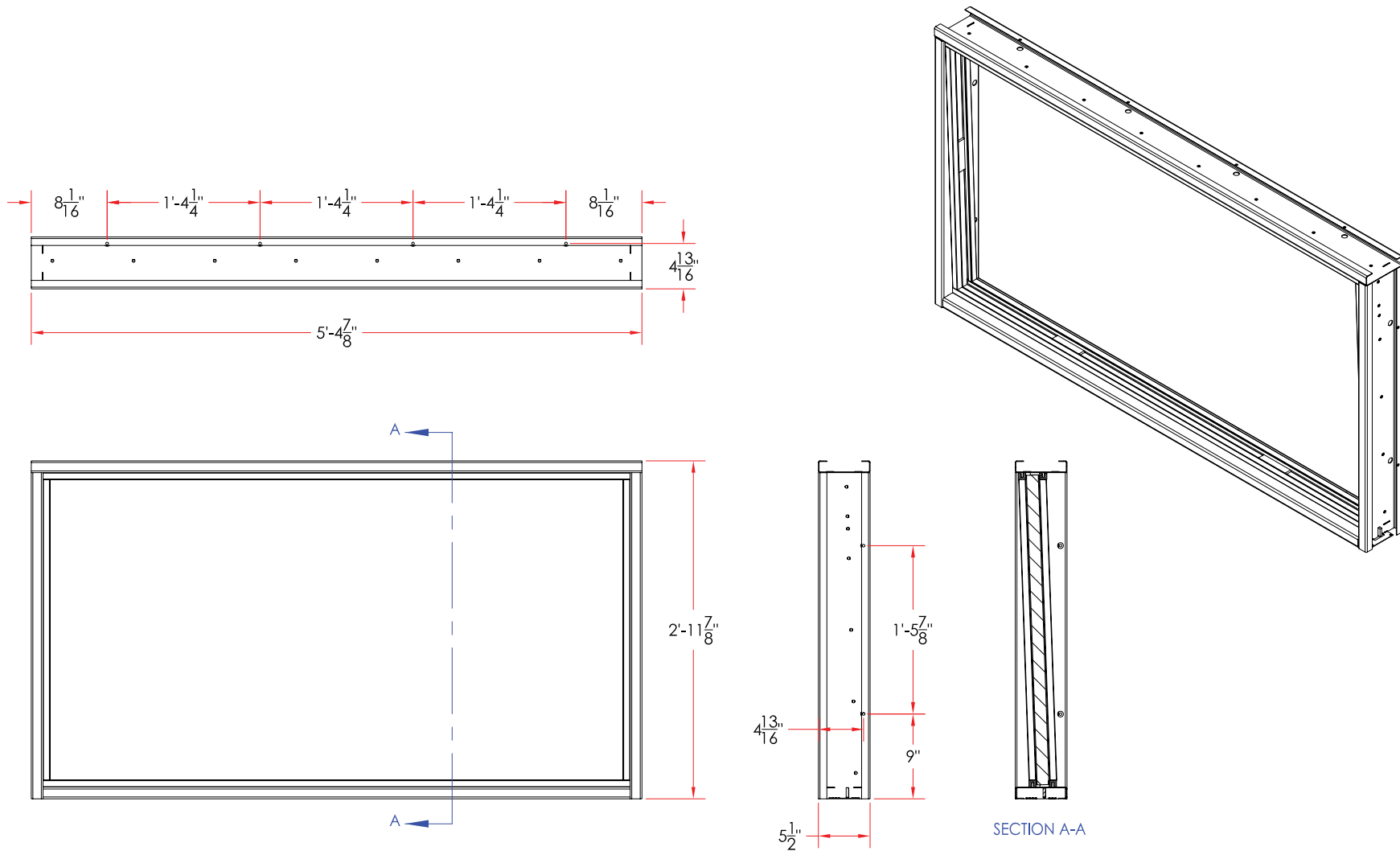


The purpose of this drawing is to provide an indication of standard product dimensions and spatial requirements only. Contact Bavis for the official CAD file of record and product details such as UL numbers, optional upgrades and additional configurations.

BASIC BALLISTIC WINDOWS

Basic ballistic windows come standard with UL-listed, level-1 bullet-resistant glass. Unlike their premium counterparts, these windows do not include trim around the frame.

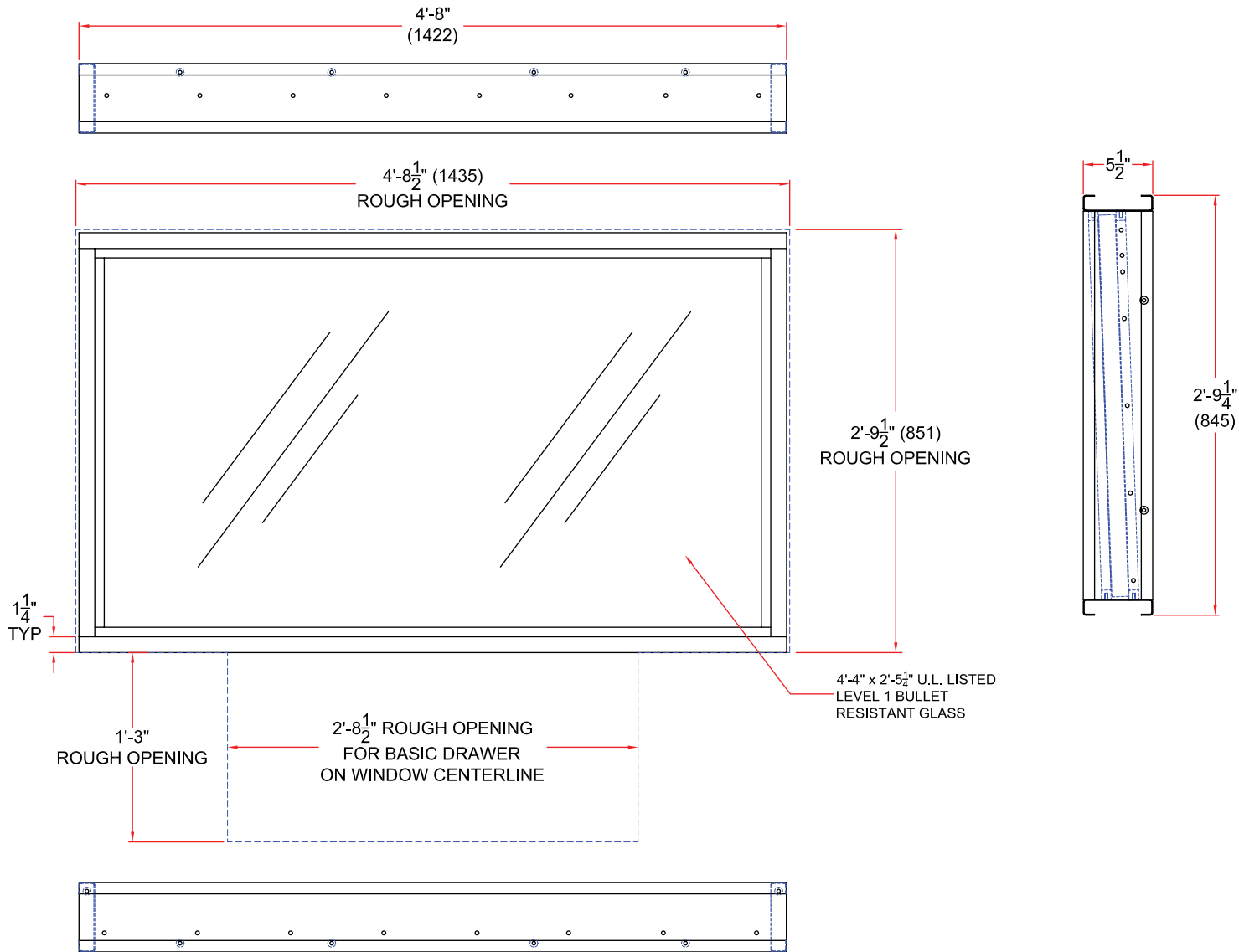
65X36 BASIC WINDOW / 12147995



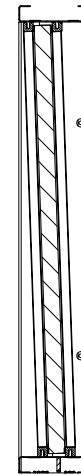
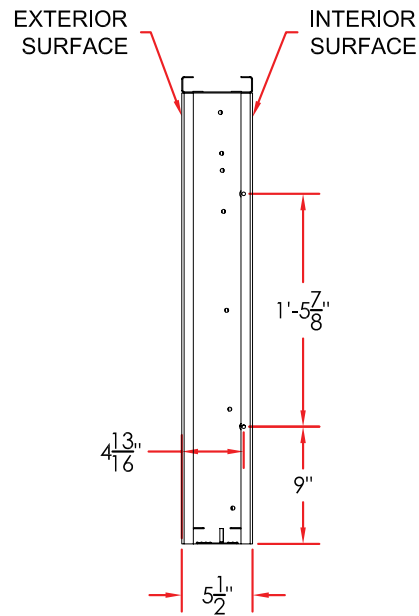
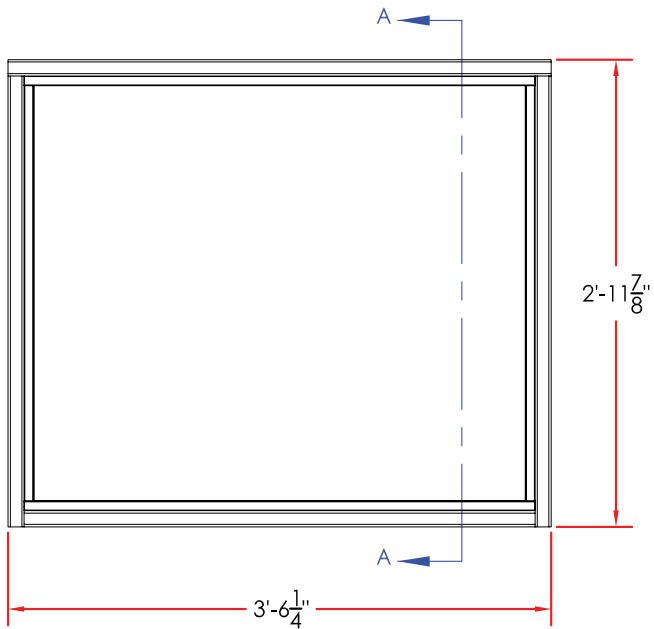
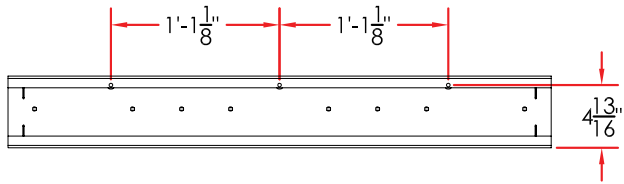
RECOMMENDED WALL OPENING: 65-3/8" WIDE X 36-1/8" TO 36-3/8" TALL

The purpose of this drawing is to provide an indication of standard product dimensions and spatial requirements only. Contact Bavis for the official CAD file of record and product details such as UL numbers, optional upgrades and additional configurations.

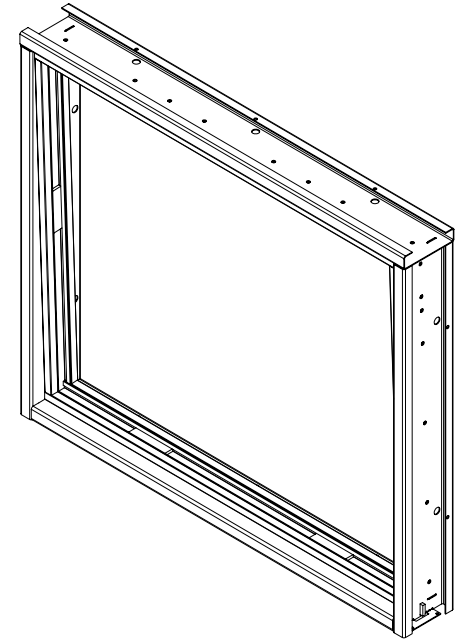
56X33 BASIC WINDOW / 12147992



43X36 BASIC WINDOW / 12147996



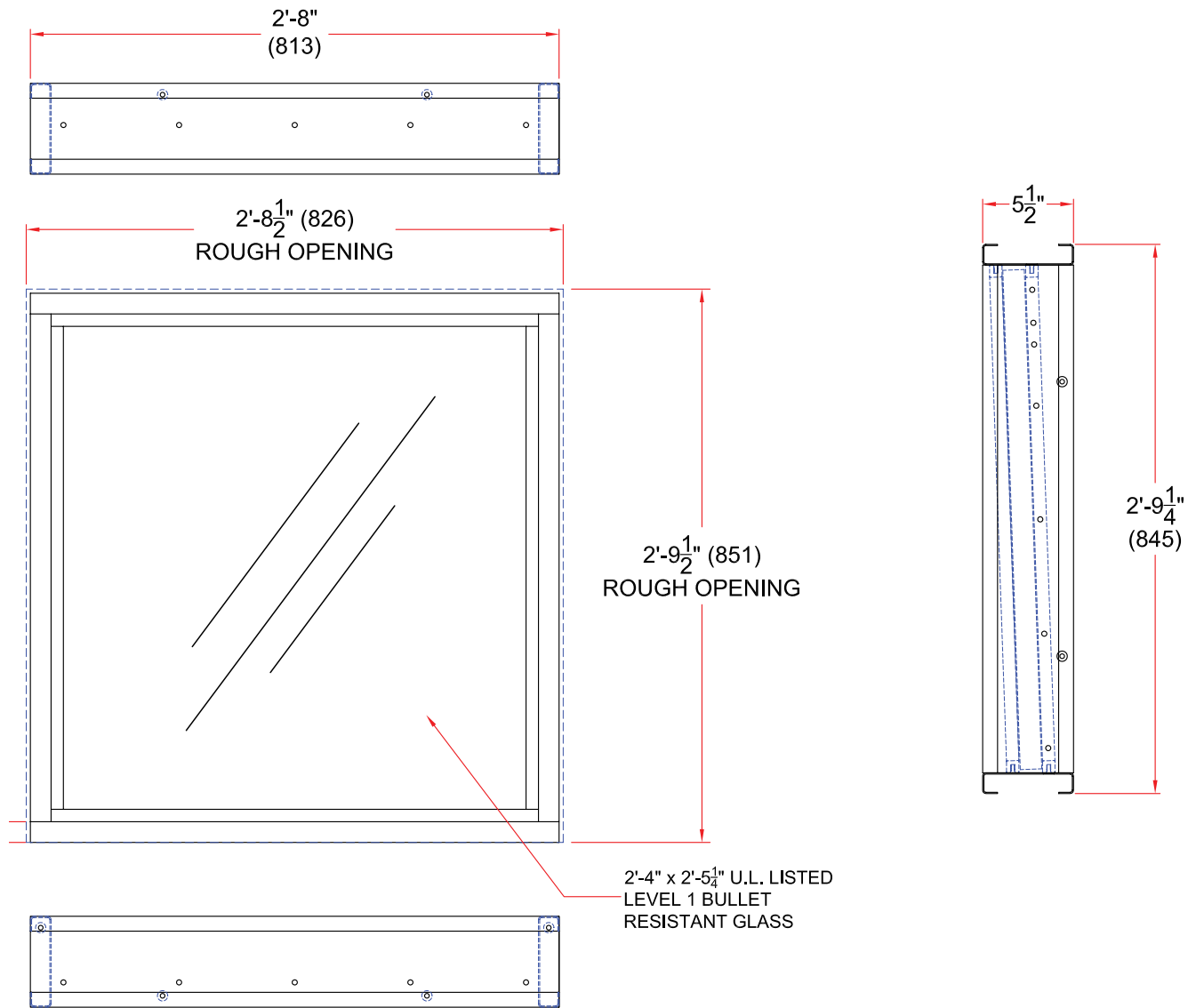
SECTION A-A



RECOMMENDED WALL OPENING: 42-3/4" WIDE X 36-1/8" TO 36-3/8" TALL

The purpose of this drawing is to provide an indication of standard product dimensions and spatial requirements only. Contact Bavis for the official CAD file of record and product details such as UL numbers, optional upgrades and additional configurations.

32X33 BASIC WINDOW / 12147991

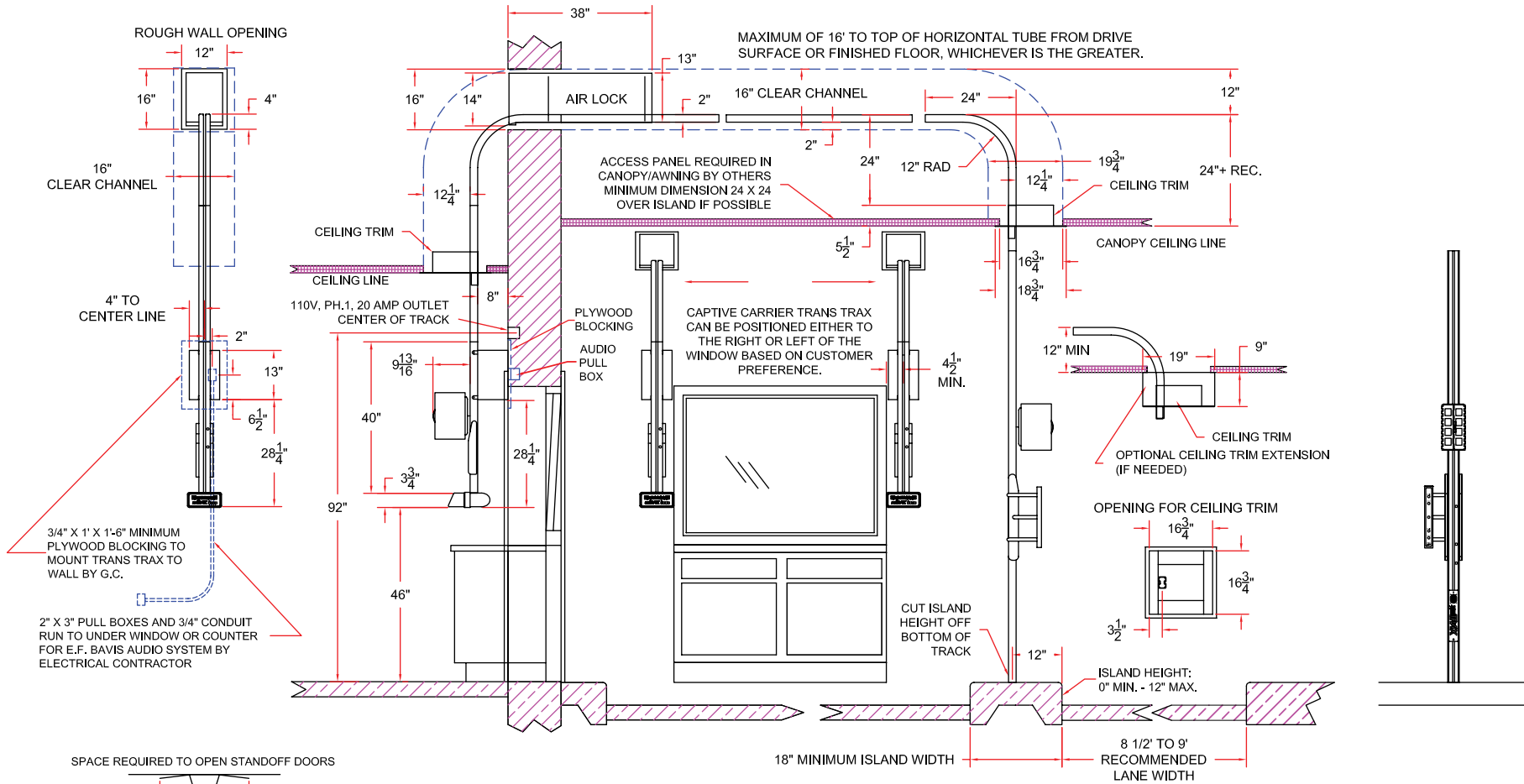




REMOTE LANE CONVEYORS

Bavis' remote lane conveyors operate different carriers on Bavis' TransTrax tape delivery system. Easier to service and more reliable than pneumatic tube systems, these TransTrax-based models were purpose-built for banks and pharmacies, but are finding increasing purpose in new, creative retail applications.

CAPTIVE CARRIER STANDARD CONFIGURATION



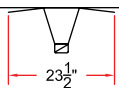
RECOMMENDED MINIMUM - MAXIMUM HORIZONTAL LENGTH:
 MIN. C-L TO C-L OF VERTICALS: 32"
 MAX. C-L TO C-L OF VERTICALS: 33' 10"

HORIZONTAL TUBE SHOULD HAVE A SUPPORT EVERY 10' CAPABLE OF 150 LBS.

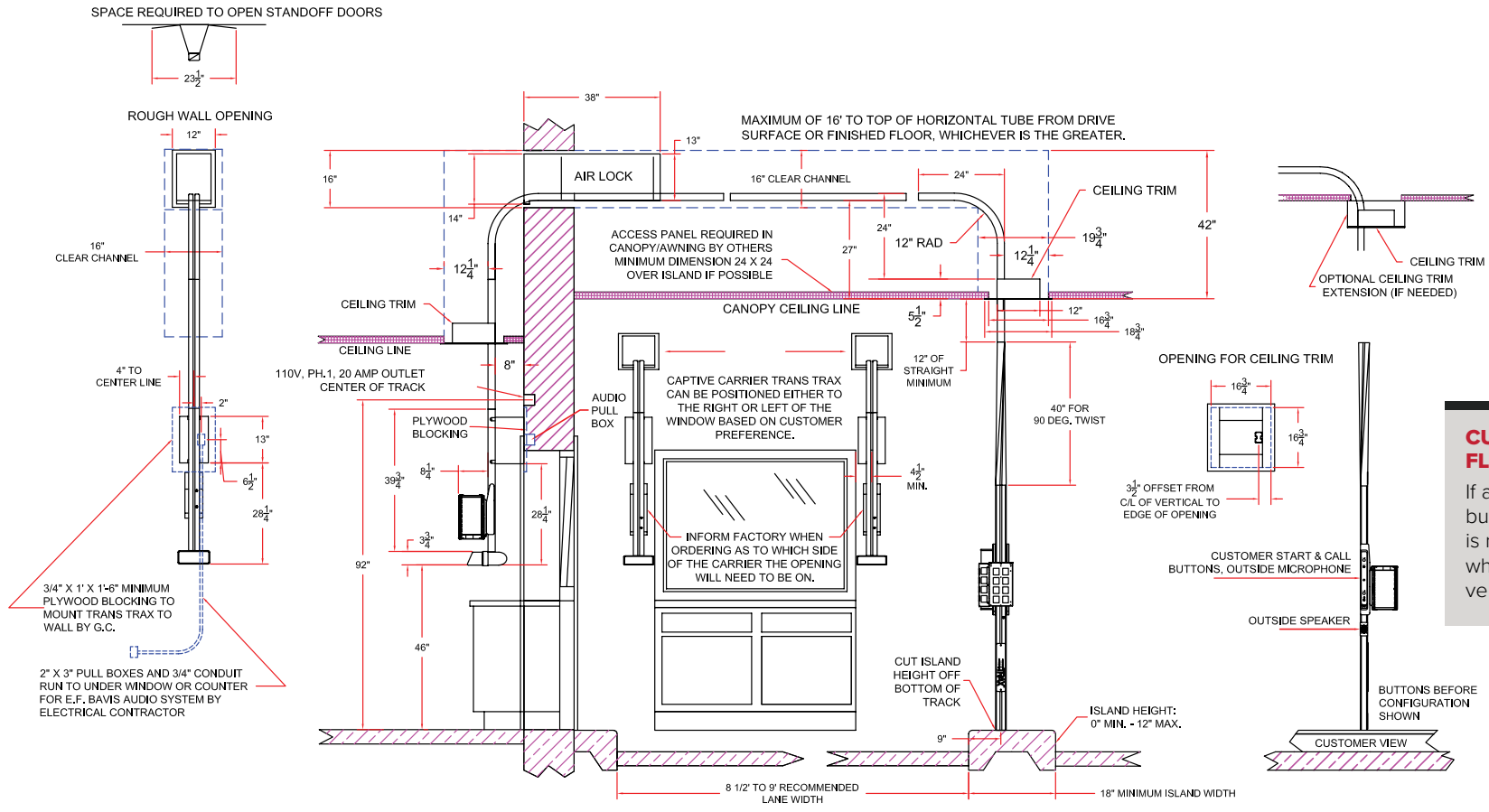
IF THE HORIZONTAL TUBE IS USED UN CUT IN THE HORIZONTAL, THERE ARE ENOUGH SUPPLIES TO POSITION THE TOP OF THE HORIZONTAL TUBE 12" 4" ABOVE THE DRIVEWAY SURFACE.

MINIMUM HEIGHT FROM FINISHED FLOOR TO THE TOP OF THE HORIZONTAL TUBE 9' 5-3/4", (113-3/4").

SPACE REQUIRED TO OPEN STANDOFF DOORS



CAPTIVE CARRIER REVERSE LANE CONFIGURATION



CUSTOMER FLOW DIRECTION

If a splay or offset between building and customer-end is required, that will dictate which side of the customer vertical the carrier will be on.

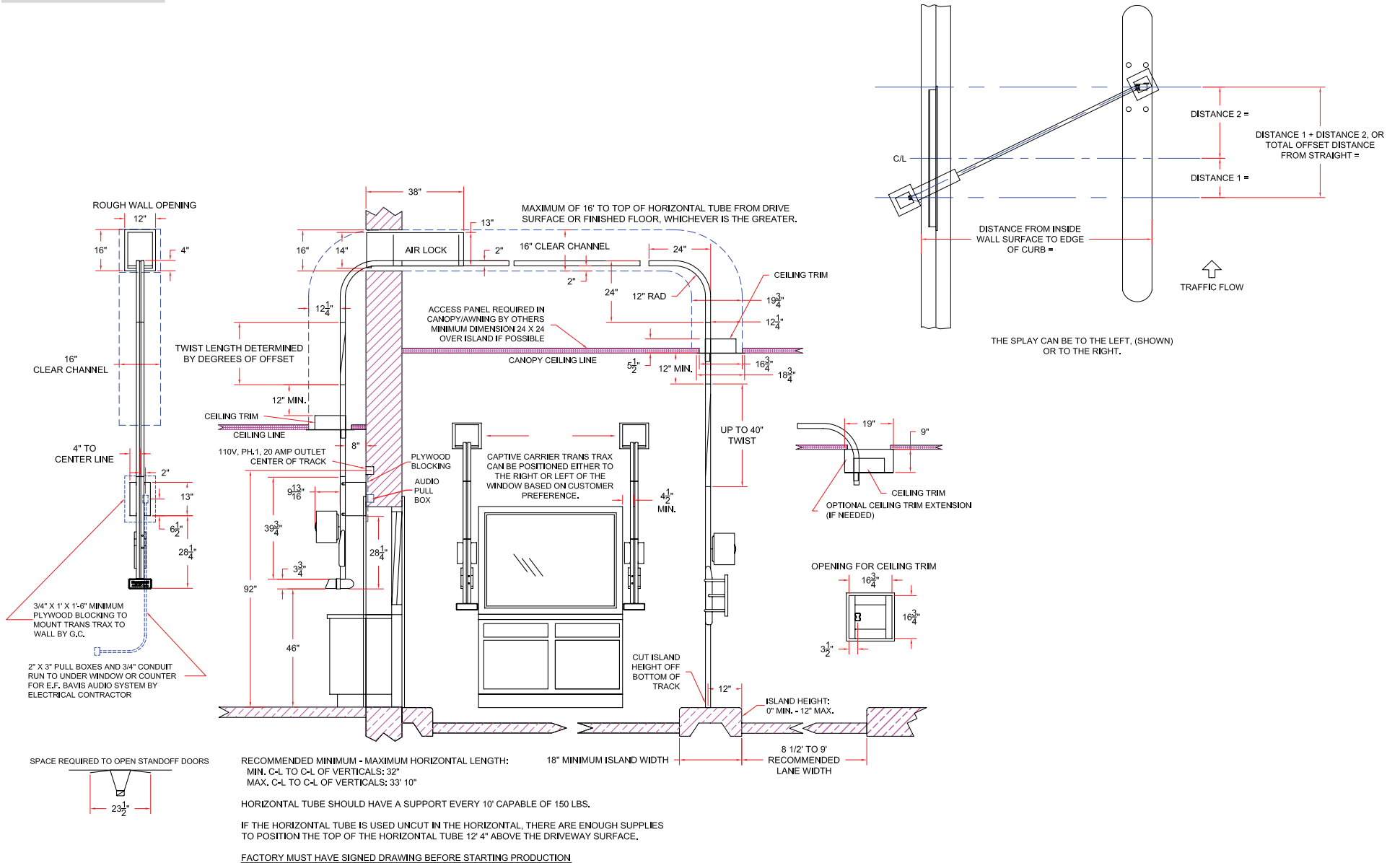
RECOMMENDED MINIMUM - MAXIMUM HORIZONTAL LENGTH:
 MIN. C-L TO C-L OF VERTICALS: 32"
 MAX. C-L TO C-L OF VERTICALS: 33' 10"

HORIZONTAL TUBE SHOULD HAVE A SUPPORT EVERY 10' CAPABLE OF 150 LBS.

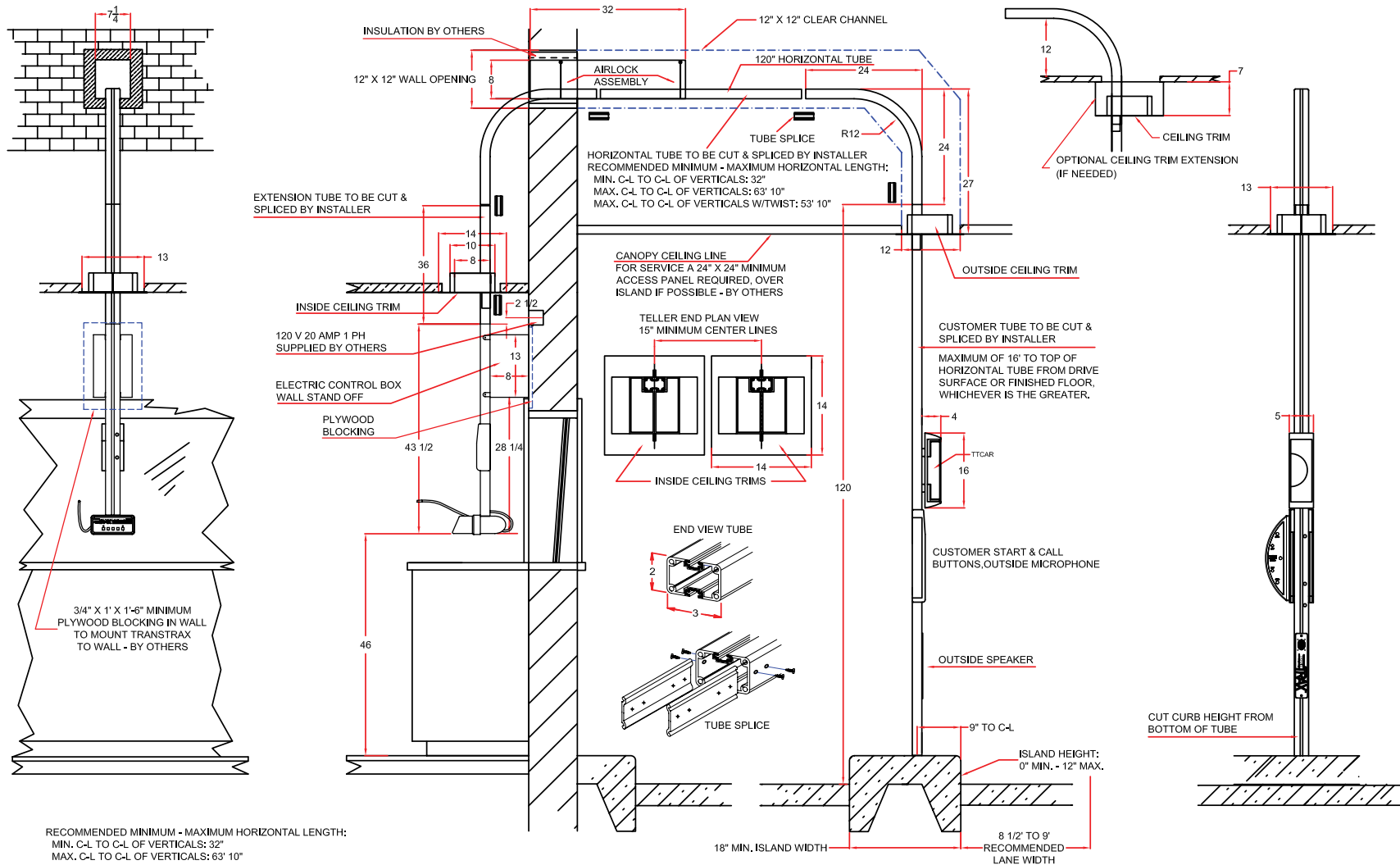
IF THE HORIZONTAL TUBE IS USED UN-CUT IN THE HORIZONTAL, THERE ARE ENOUGH SUPPLIES TO POSITION THE TOP OF THE HORIZONTAL TUBE 12' 4" ABOVE THE DRIVEWAY SURFACE.

The purpose of this drawing is to provide an indication of standard product dimensions and spatial requirements only. Contact Bavis for the official CAD file of record and product details such as UL numbers, optional upgrades and additional configurations.

CAPTIVE CARRIER SPLAYED CONFIGURATION



TRANSTRAX STANDARD CONFIGURATION



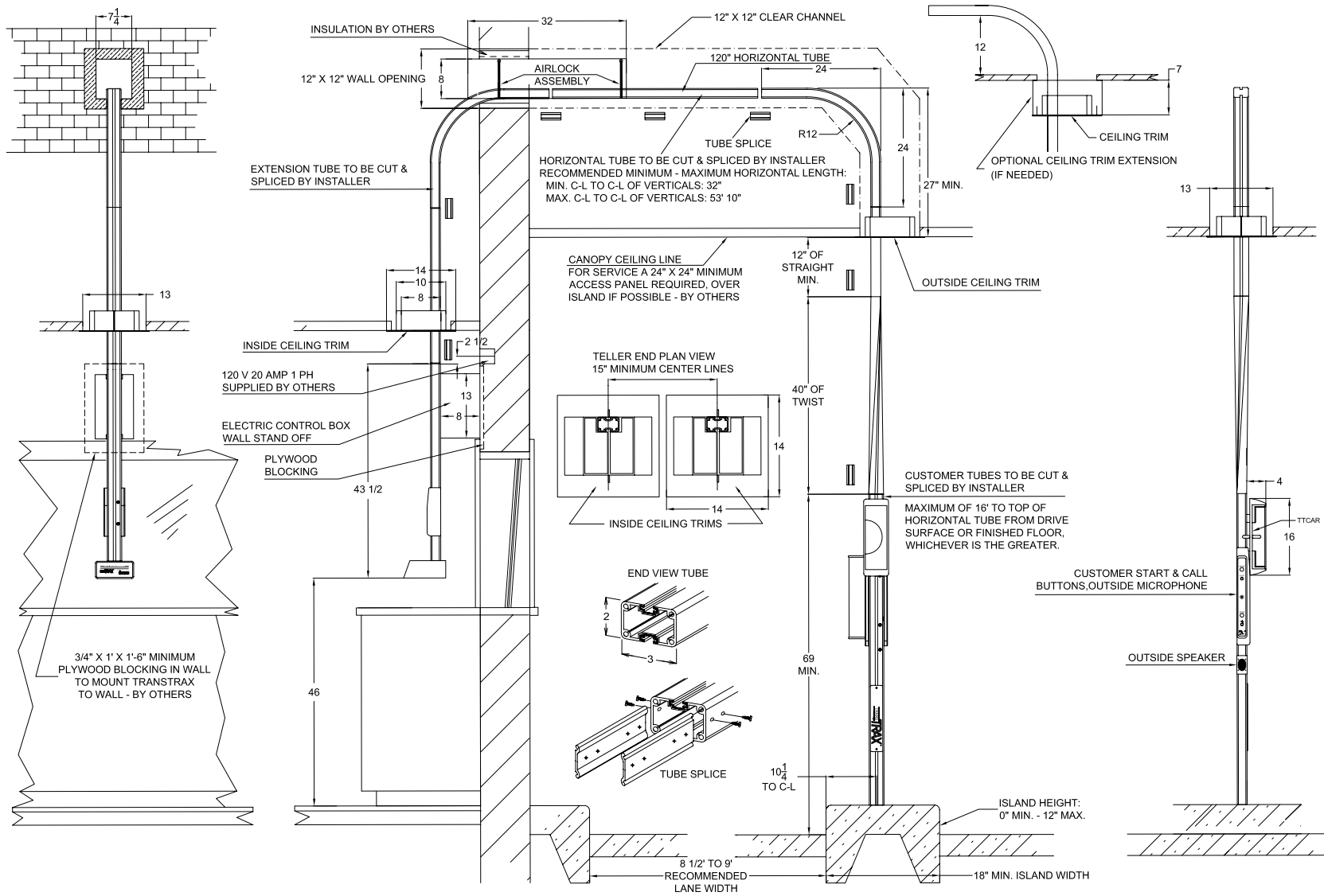
RECOMMENDED MINIMUM - MAXIMUM HORIZONTAL LENGTH:
MIN. C-L TO C-L OF VERTICALS: 32"
MAX. C-L TO C-L OF VERTICALS: 63' 10"

HORIZONTAL TUBE SHOULD HAVE A SUPPORT EVERY 10' CAPABLE OF 150 LBS.

IF THE HORIZONTAL TUBE IS USED UNCUT IN THE HORIZONTAL, THERE ARE ENOUGH SUPPLIES TO POSITION THE TOP OF THE HORIZONTAL TUBE 12' 4" ABOVE THE DRIVEWAY SURFACE.

The purpose of this drawing is to provide an indication of standard product dimensions and spatial requirements only. Contact Bavis for the official CAD file of record and product details such as UL numbers, optional upgrades and additional configurations.

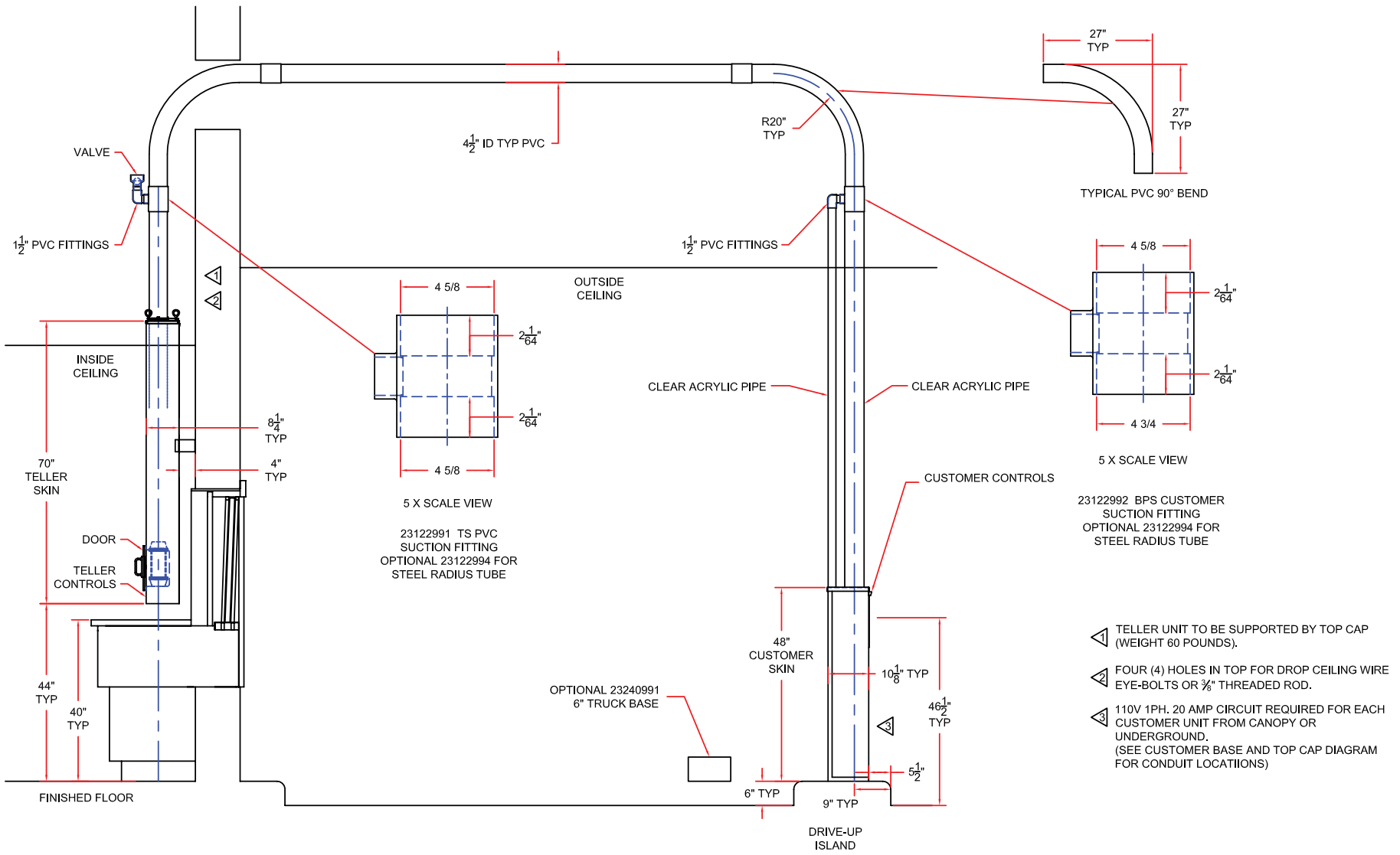
TRANSTRAX REVERSE LANE CONFIGURATION



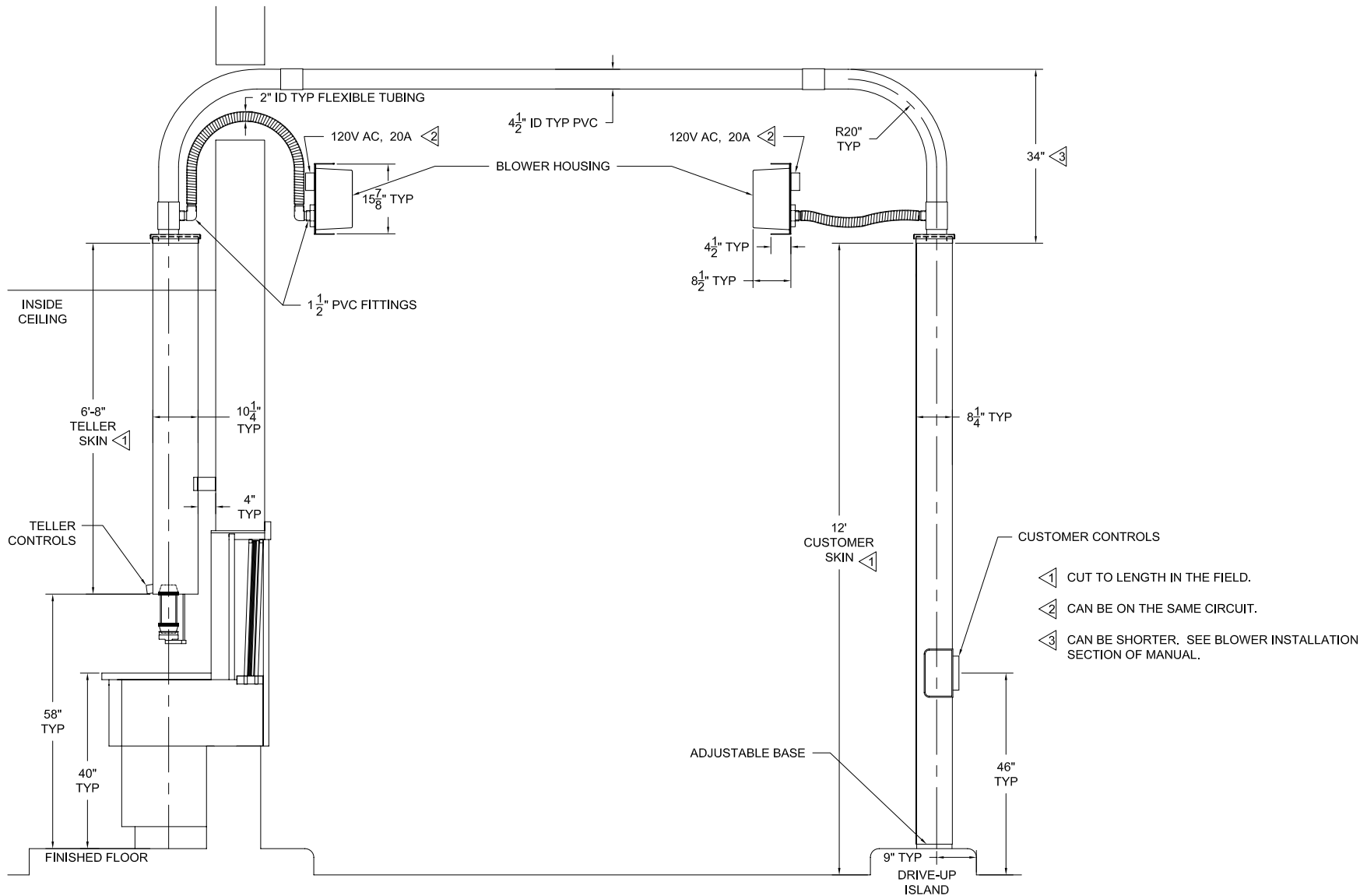
PNEUMATIC TUBE SYSTEMS

Tried and true, Bavis' pneumatic tube systems offer more range and run than their TransTrax counterparts and are ideal for simple transactions or as a delivery system in complex facility layouts.

BASIC PNEUMATIC TUBE SYSTEM / 23000994



ADVANCED PNEUMATIC TUBE SYSTEM / 23000992



The purpose of this drawing is to provide an indication of standard product dimensions and spatial requirements only. Contact Bavis for the official CAD file of record and product details such as UL numbers, optional upgrades and additional configurations.

“Bavis’ emphasis on product quality and their commitment to creating value for the customer make them an ideal partner, and we highly recommend Bavis to anyone looking to elevate their drive-thru experience.”

– Agility Recovery

! HAVE A PROJECT?
GET A QUOTE AT **BAVIS.COM**

ABOUT BAVIS

Since 1957, Bavis Fabacraft has manufactured drive thru solutions that expand customer access, ensure employee and customer security and empower businesses to transact more, faster.

READY TO HELP!

PHARMACIES / **BANKS**
DISPENSARIES / HOSPITALS
MFG. FACILITIES / **UTILITIES**
GOVERNMENT / GATE SECURITY
RETROFITS / **NEW BUILDS**

B BAVIS **FABACRAFT** | Better Drive-thru

PHARMACIES | BANKS | DISPENSARIES | GOVERNMENT SERVICES

BAVIS.COM | 513.677.0500 | info@bavis.com
LinkedIn: company/bavisfabacraft | **Twitter:** @BavisFabacraft
201 Grandin Rd. | Maineville, OH 45039