

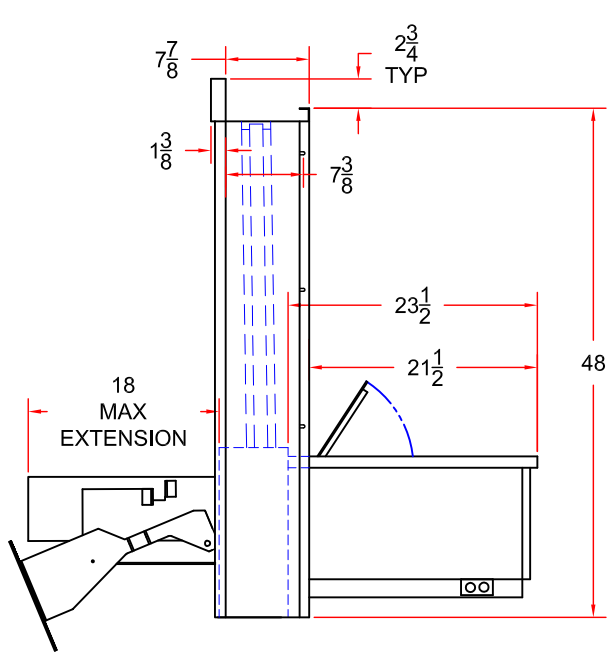
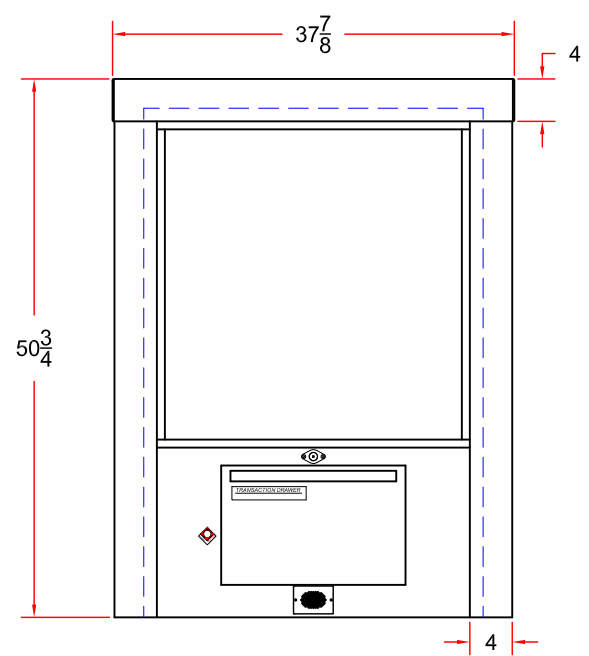
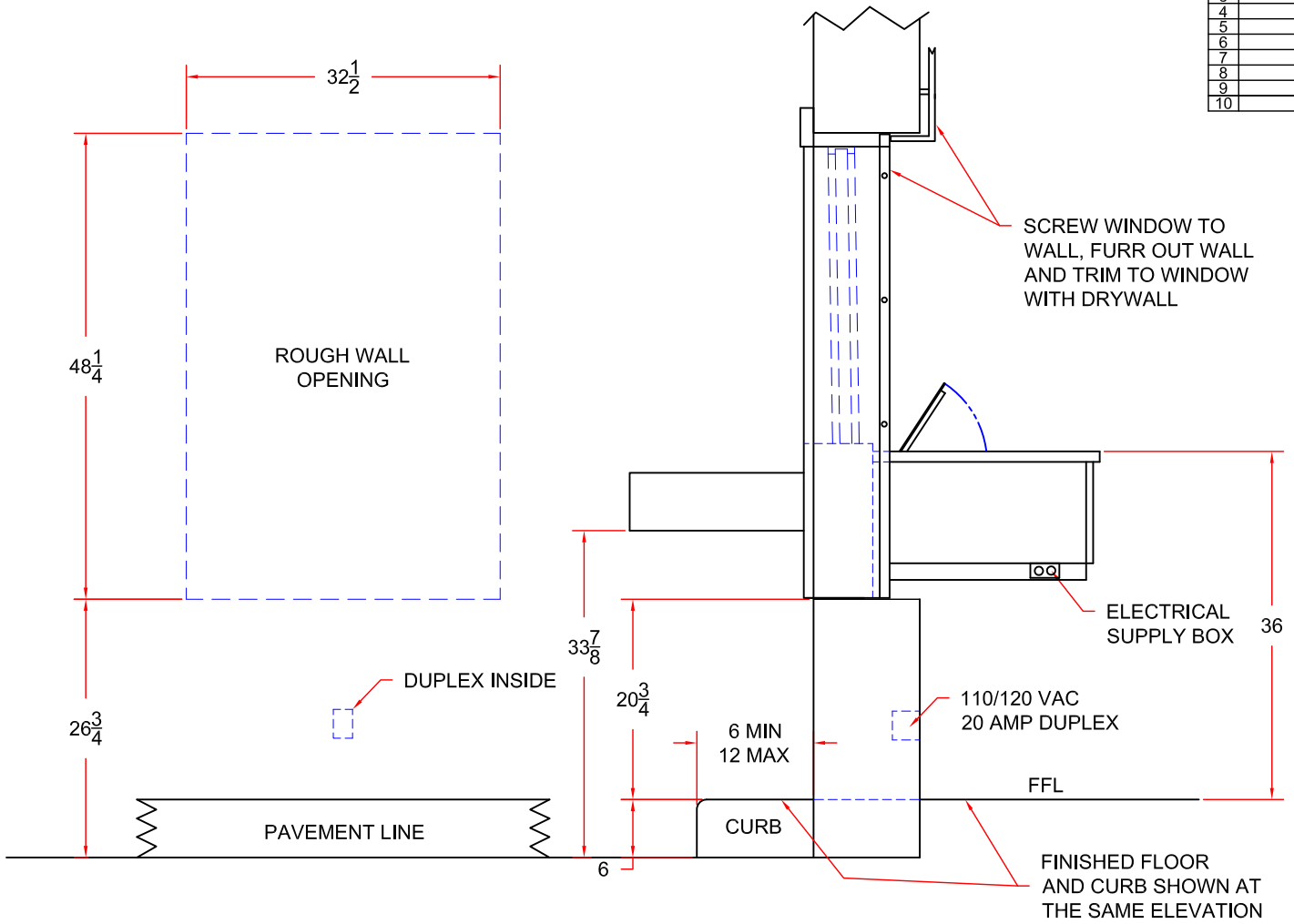


E.F. BAVIS & ASSOC. INC.
 201 GRANDIN RD. P.O. BOX 337
 MAINEVILLE, OH. 45039 0337
 PH 513-677-0500 FAX 513-677-0552

32" ALL IN ONE MINI PHARMACY SPECIFIC

PART	12000992	PAGE	1 OF 2
DWG.	12000992	DATE CREATED:	03/23/00 JMF
REV.		LAST DATE:	03/03/03 BAP
DATE:	09/27/04	BAP	COPYRIGHT 1996,2002 E.F. Bavis & Assoc. Inc.

NO.	ECN
1	
2	
3	
4	
5	
6	
7	
8	
9	
10	



SPECIFICATION SUBJECT TO CHANGE WITHOUT NOTICE. NOT TO BE USED FOR CONSTRUCTION PURPOSES.